

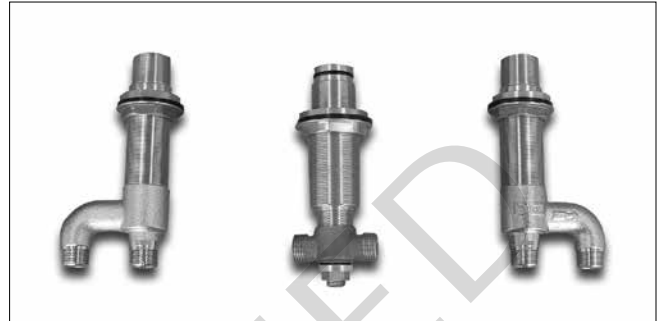
Deck-Mount Tub Filler Valve

FEATURES

- Corrosion resistant
- NPSM 1/2" connection
- For use with Deck-Mount Tub Filler Trim

CODES/STANDARDS

- Meets or exceeds ASME A112.18.1/CSA B125.1
- Certifications: IAPMO(cUPC), State of Massachusetts and others
- Code Compliance: UPC, IPC, NSPC, NPC Canada, and others
- Complies with CA Prop 65 warning requirements



PRODUCT SPECIFICATION

The Deck-mount tub filler valve shall be corrosion resistant. Product shall have 1/2" NPT inlet connect. Product shall be TOTO Model TB6TR.

TB6TR

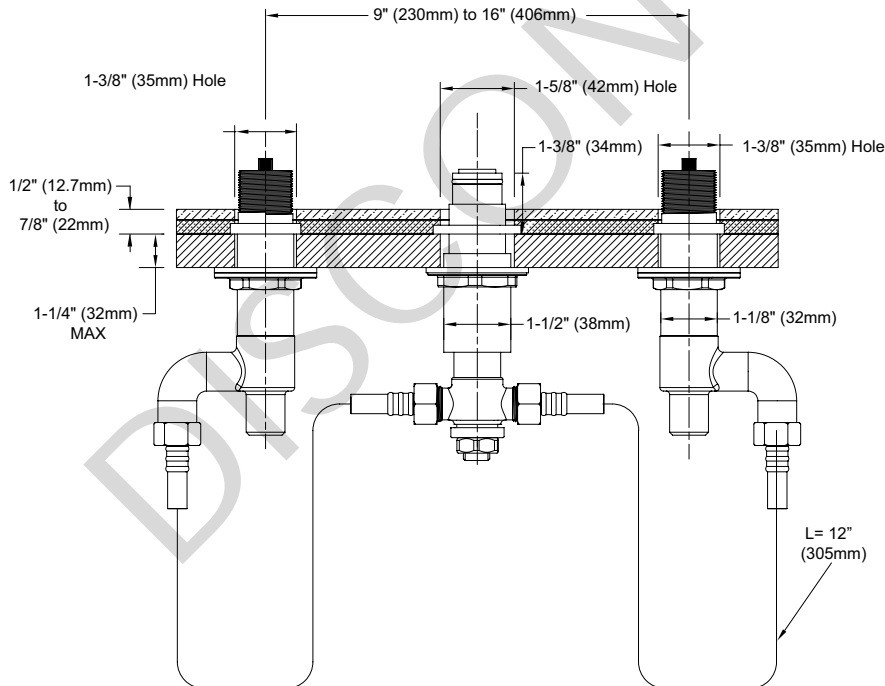
Deck-Mount Tub Filler Valve

SPECIFICATIONS

- Warranty Lifetime Limited Warranty (Residential Use)
One Year (Commercial Use)
- Material Bronze
- Shipping Weight 7.0 lbs.
- Shipping Dimensions 21" L x 10" W x 3-1/2" H

INSTALLATION NOTES

BATH TRIM REQUIRED:
Deck-Mount Tub Filler Trim sold separately.



IMPORTANT NOTE: This valve/trim can only be installed in a built-up deck. It cannot be installed on pre-finished deck or on tub rim.