

## Nexus® WASHLET®+ C5 One-Piece Toilet - 1.28 GPF

### FEATURES

- Concealed supply connection for seamless installation
- TORNADO FLUSH® system, high-efficiency (1.28 GPF/4.8 LPF)
- CEFIONTECT® ceramic glaze prevents debris and mold from sticking to ceramic surfaces
- Completely skirted design for a sleek and understated look that's easier to clean
- UNIVERSAL HEIGHT
- 12" Rough-in
- Chrome plated trip lever
- Elongated front bowl and WASHLET+ C5 and tank set
- EWATER+® auto-cleans wand
- On-demand remote function cleans wand with EWATER+
- PREMIST® of bowl before each use
- Convenient slim wireless remote, with illuminated touchpad



### MODELS & COMPONENTS

- MW6423084CEFG (#01)  
With CEFIONTECT ceramic glaze, WASHLET+ C5
- CST642CEFGAT40  
Elongated toilet with CEFIONTECT
- SW3084T40  
WASHLET+ C5

#### Optional Components

- TSU10W.14  
14" Unifit Rough-In
- THU750(#01, #PN, #BN)  
Trip Lever - Cotton, Polished Nickel, Brushed Nickel

### COLORS/FINISHES

- #01 Cotton

-  TORNADO FLUSH
-  UNIVERSAL HEIGHT
-  CEFIONTECT
-  EWATER+

### PRODUCT SPECIFICATION

The one-piece high-efficiency TORNADO FLUSH system toilet shall be 1.28 GPF/4.8 LPF. Toilet shall be 12" Unifit rough-in. Toilet shall have optional CEFIONTECT ceramic glaze and be at UNIVERSAL HEIGHT. Toilet shall have elongated front bowl with Polished Chrome trip lever. Toilet shall be TOTO Model MW6423084CEFG#01

See SW3084T40 Specification Sheet for details on included WASHLET.

### CODES/STANDARDS

- Meets or exceeds ASME A112.19.2/CSA B45.1
- Certifications: IAPMO(cUPC), EPA Watersense, State of Massachusetts, City of Los Angeles, and others
- Code compliance: UPC, IPC, NSPC, NPC Canada, and others
- Legislative Compliance: California AB715, California Green Building Code, City of Los Angeles Water Efficiency Ordinance
- ADA compliant (when installed with trip lever located on the approach side)
- Complies with CA Prop 65 warning requirements



# MW6423084CEFG

## Nexus® WASHLET®+ C5 One-Piece Toilet - 1.28 GPF

### SPECIFICATIONS

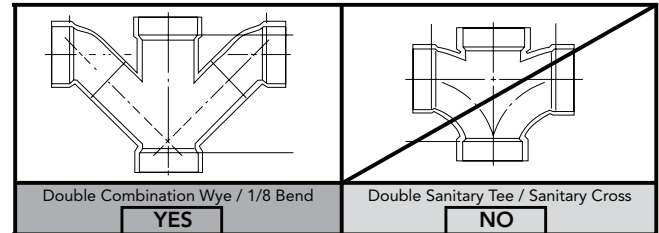
<b>Water Use</b>	1.28 GPF (4.8 LPF)
<b>Flush System</b>	TORNADO FLUSH®
<b>Min. Water Pressure</b>	8 psi (Flowing)
<b>Water Surface</b>	6-5/8" x 9-1/8"
<b>Trap Diameter</b>	2-1/8"
<b>Rough-in</b>	12" (14" Optional)
<b>Trap Seal</b>	2-1/4"
<b>Warranty</b>	One Year Limited Warranty
<b>Material</b>	Vitreous China
<b>Shipping Weight</b>	117 lbs
<b>Shipping Dimensions</b>	18-1/2" W x 21-3/4" H <sup>1</sup> x 27-1/2" H <sup>2</sup> x 29-1/2" L

See SW3084T40 Specification Sheet for details on included WASHLET.

### INSTALLATION NOTES

Back-to-Back Toilet Installations:

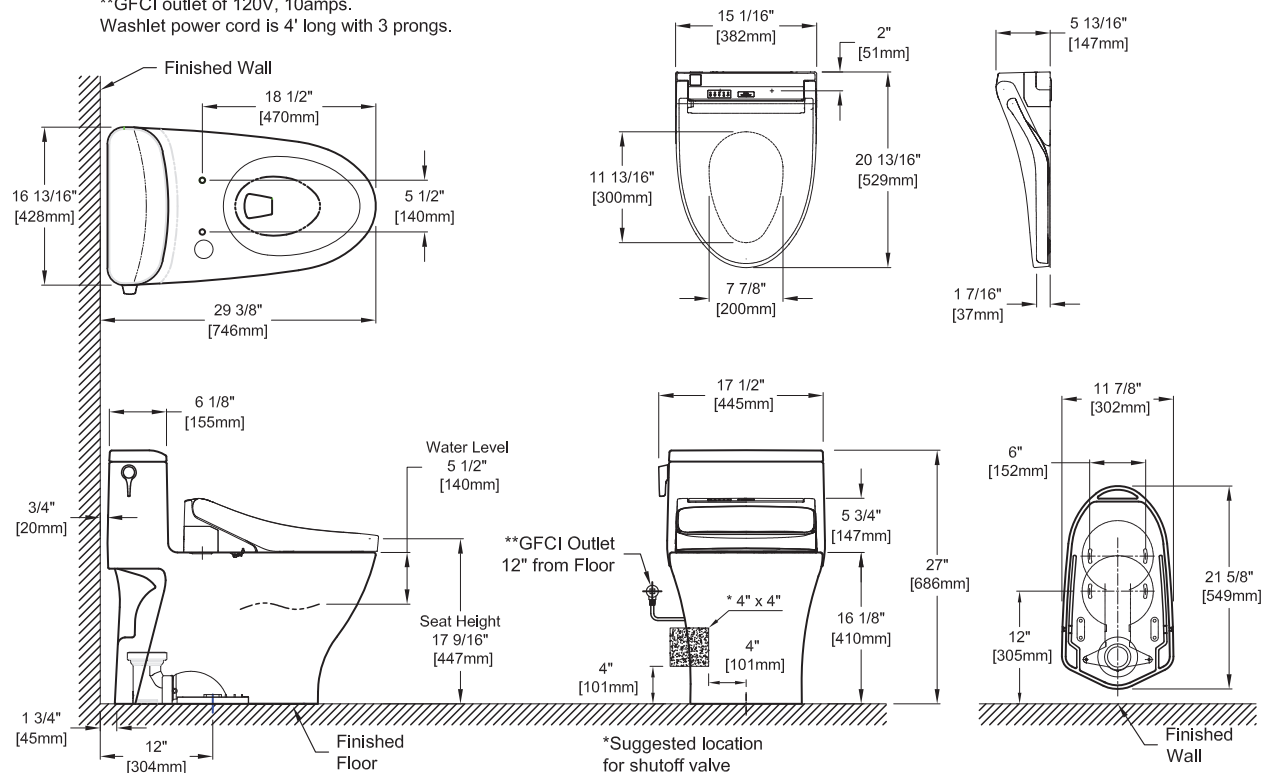
TOTO recommends the use of a nationally listed, double sanitary tee-wye only, in vertical waste stacks, in accordance with the stipulations noted in the majority of nationally recognized plumbing codes.



To maintain adequate wall gap between the back of the tank and wall, mount the floor flange at a nominal 12" rough-in distance.

### DIMENSIONS

\*\*GFCI outlet of 120V, 10amps.  
Washlet power cord is 4' long with 3 prongs.



**TOTO®**

These dimensions and specifications are subject to change without notice