

## Undercounter Lavatory

### FEATURES

- 21-1/4" x 14-3/8"
- Space saving rectangle undercounter design ideal for narrow countertops
- CEFIONTECT® ceramic glaze - prevents debris and mold from sticking to ceramic surfaces, leading to fewer chemicals and less water in cleaning
- Generous wash basin
- Front overflow
- Mounting assembly complete with installation template and mounting screw set for wood countertops
- THU410 is required for marble/granite type counter top installation and must be purchased separately



### MODELS

- LT540G  
With CEFIONTECT glazing (#01, #12)

### COLORS/FINISHES

- #01 Cotton
- #12 Sedona Beige

### CODES/STANDARDS

- Meets and exceeds ASME A112.19.2/CSA B45.1
- Certifications: IAPMO(cUPC), State of Massachusetts, City of Los Angeles, and others
- Meets ADA guidelines and ANSI A117.1 requirements when countertop is installed 864mm (34") from finished floor and lavatory is installed 205mm (8-1/8") minimum from front edge.
- Complies with CA Prop 65 warning requirements



### PRODUCT SPECIFICATION

The undercounter lavatory shall be made of vitreous china. Lavatory shall be 21-1/4" in length and 14" in width. Product shall be with overflow and lavatory shall include mounting assembly. Lavatory shall have CEFIONTECT ceramic glaze. Lavatory shall be TOTO Model LT540(G)\_\_\_\_\_.

# LT540G

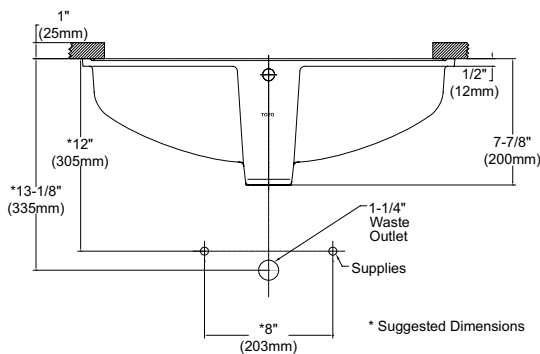
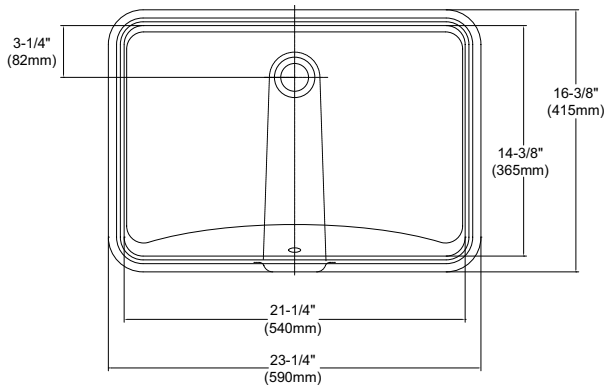
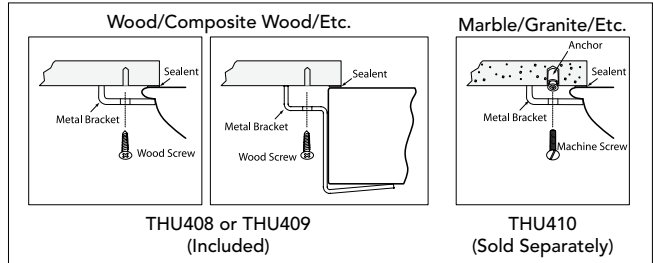
## Undercounter Lavatory

### SPECIFICATIONS

- Waste 1-1/4" O.D.
- Size 23-1/4"W x 16-3/8"D
- Basin 21-1/4"W x 14-3/8"D
- Warranty One Year Limited Warranty
- Material Vitreous china
- Shipping Weight 25.5 lbs.
- Shipping Dimensions 24"W x 17-1/8"D x 9-1/4"H

### INSTALLATION NOTES

#### Mounting Hardware



#### ADA Installation Guide

