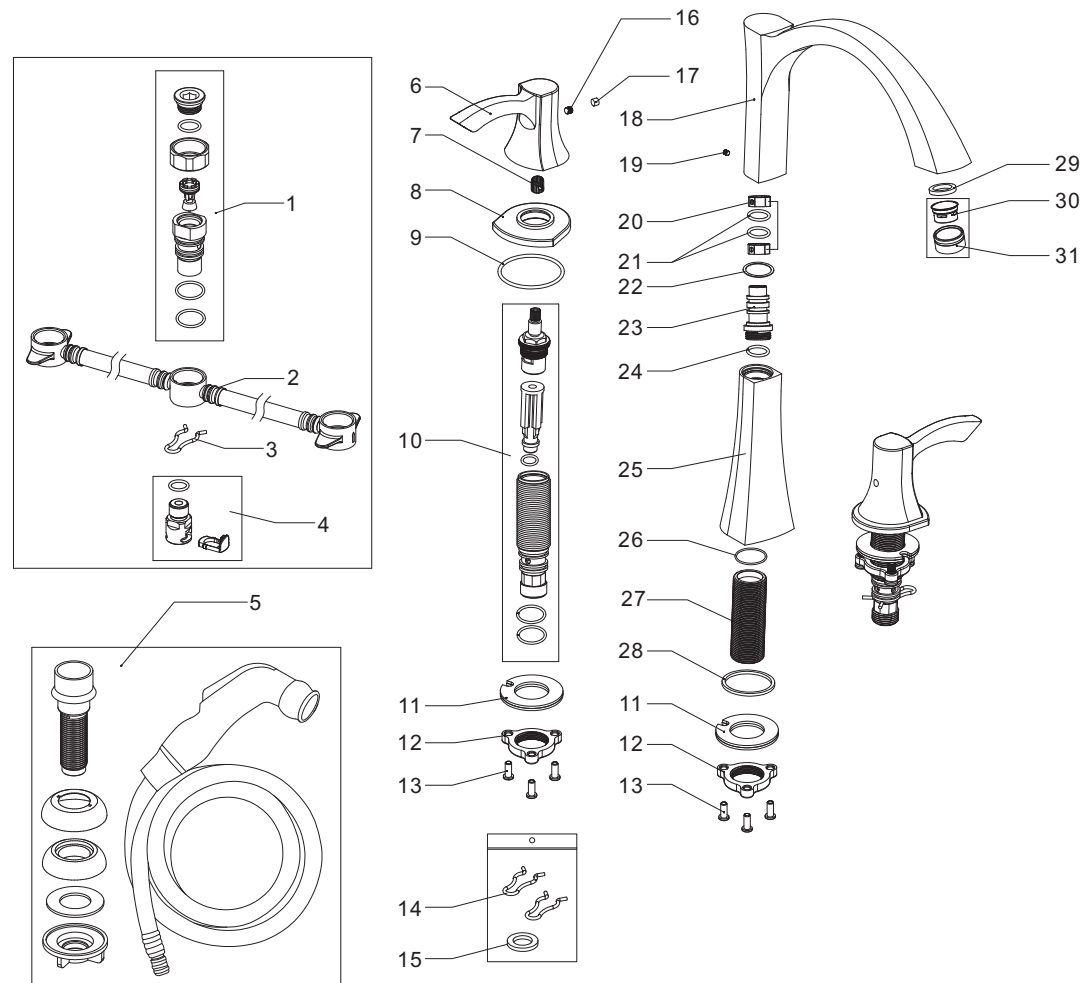
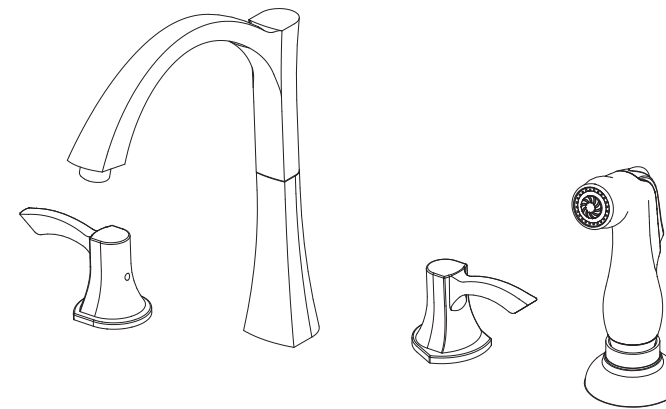


Step 4 Parts list



NO.	PART NAME
1	Diverter assembly
2	Flexible hose
3	Clamp spring
4	Quick connect assembly
5	Sprayer
6	Handle
7	Adapter
8	Handle flange
9	O-ring
10	Water valve assembly
11	Gasket assembly
12	Lock nut
13	Screw
14	Clamp spring
15	Washer
16	Screw
17	Index
18	Spout
19	Screw
20	Ring
21	O-ring
22	Wearing ring
23	Connector
24	O-ring
25	Body
26	O-ring
27	Shank
28	Wearing ring
29	Aerator washer
30	Aerator core
31	Aerator collar

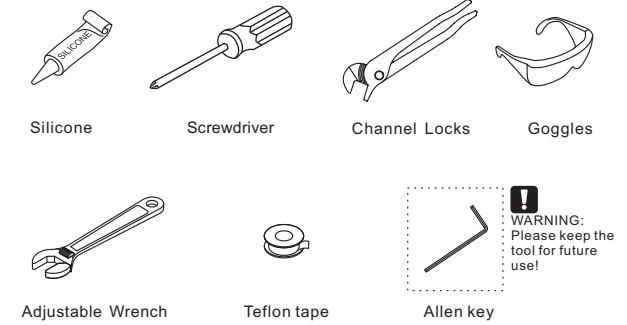


TWO HANDLE KITCHEN FAUCET WITH SIDE SPRAYER



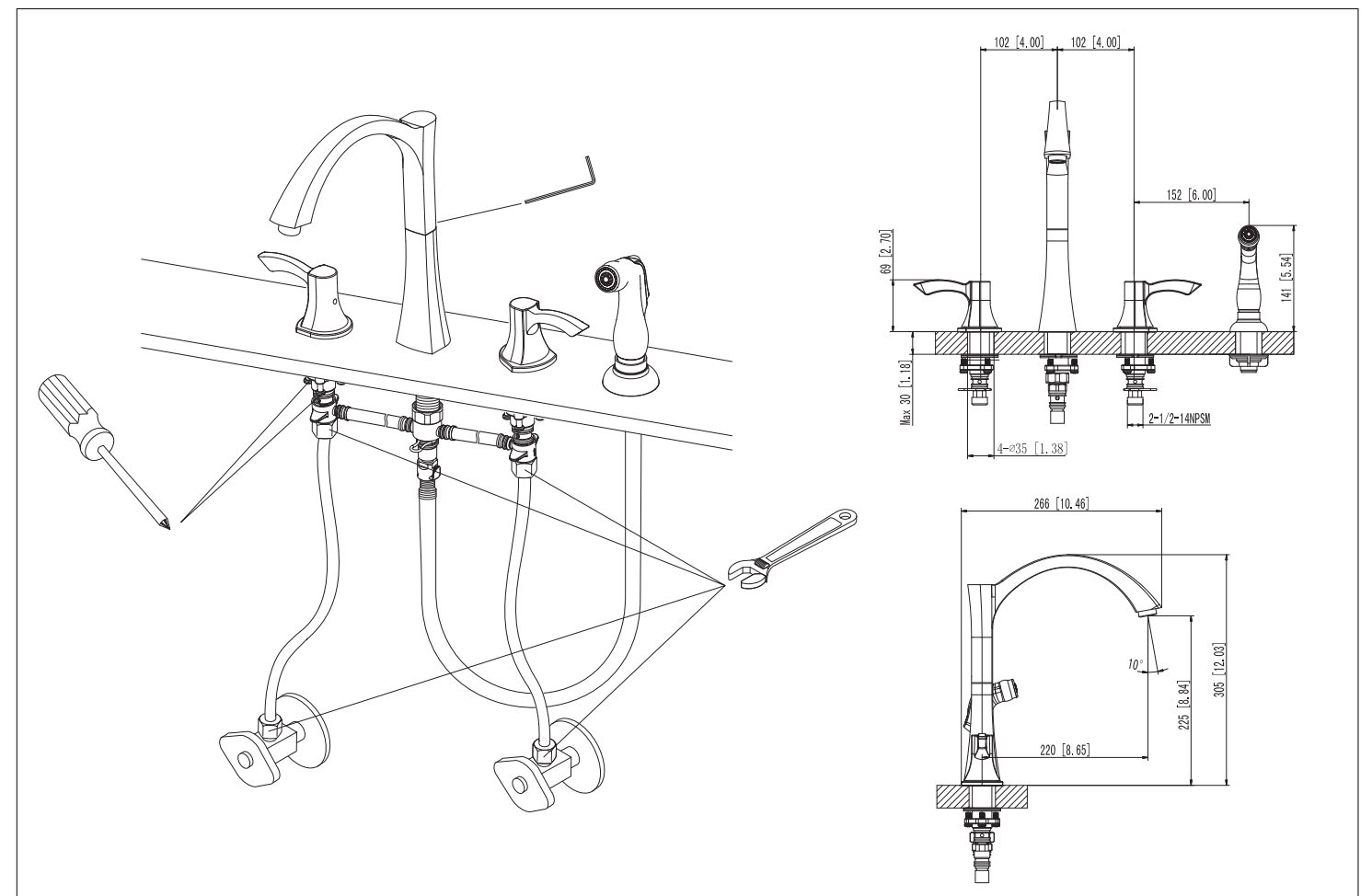
ASME A112.18.1/CSAB125.1

RECOMMENDED TOOLS

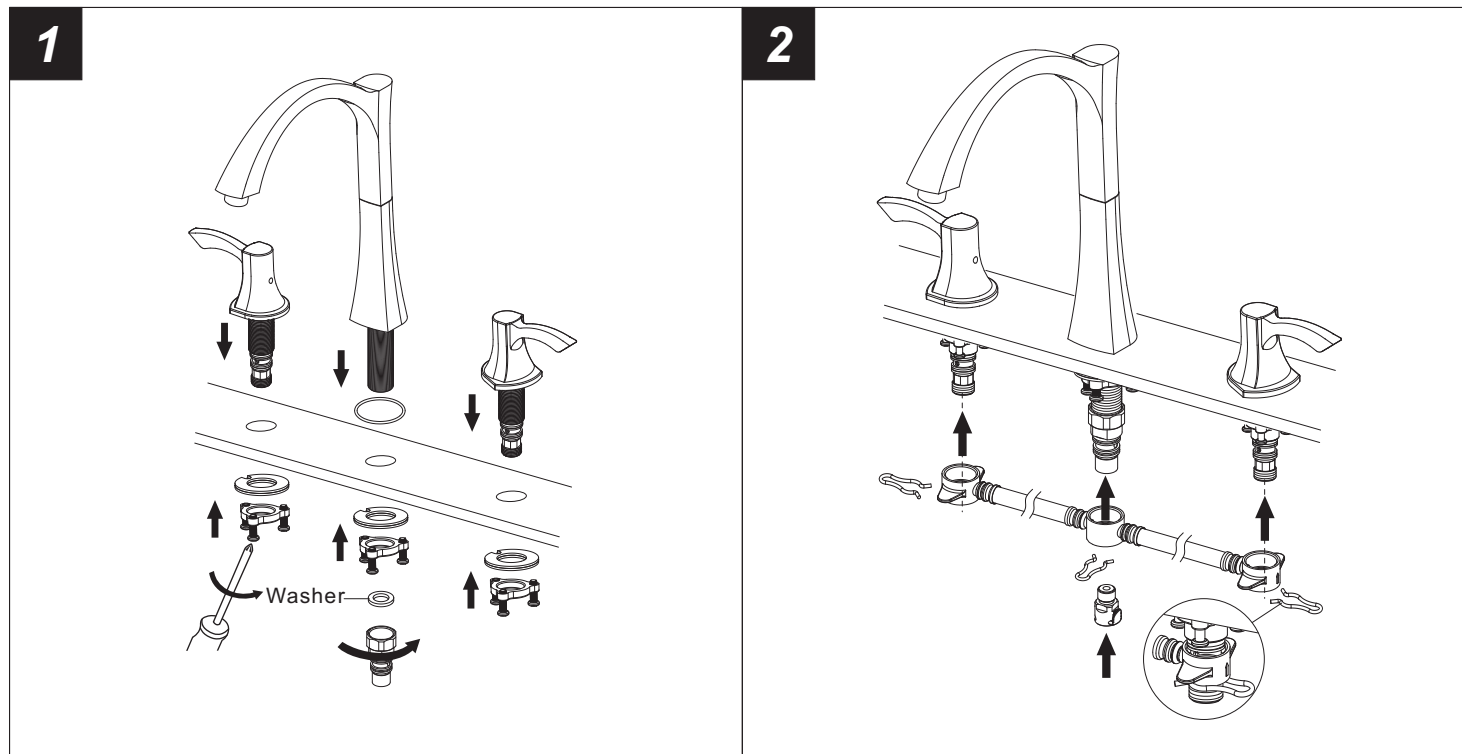


Attention:
for easy installation, you will need:
1. To read all the installation instruction completely before beginning.
2. To read all the warning, attention and maintenance information.
3. To purchase the proper supply lines.

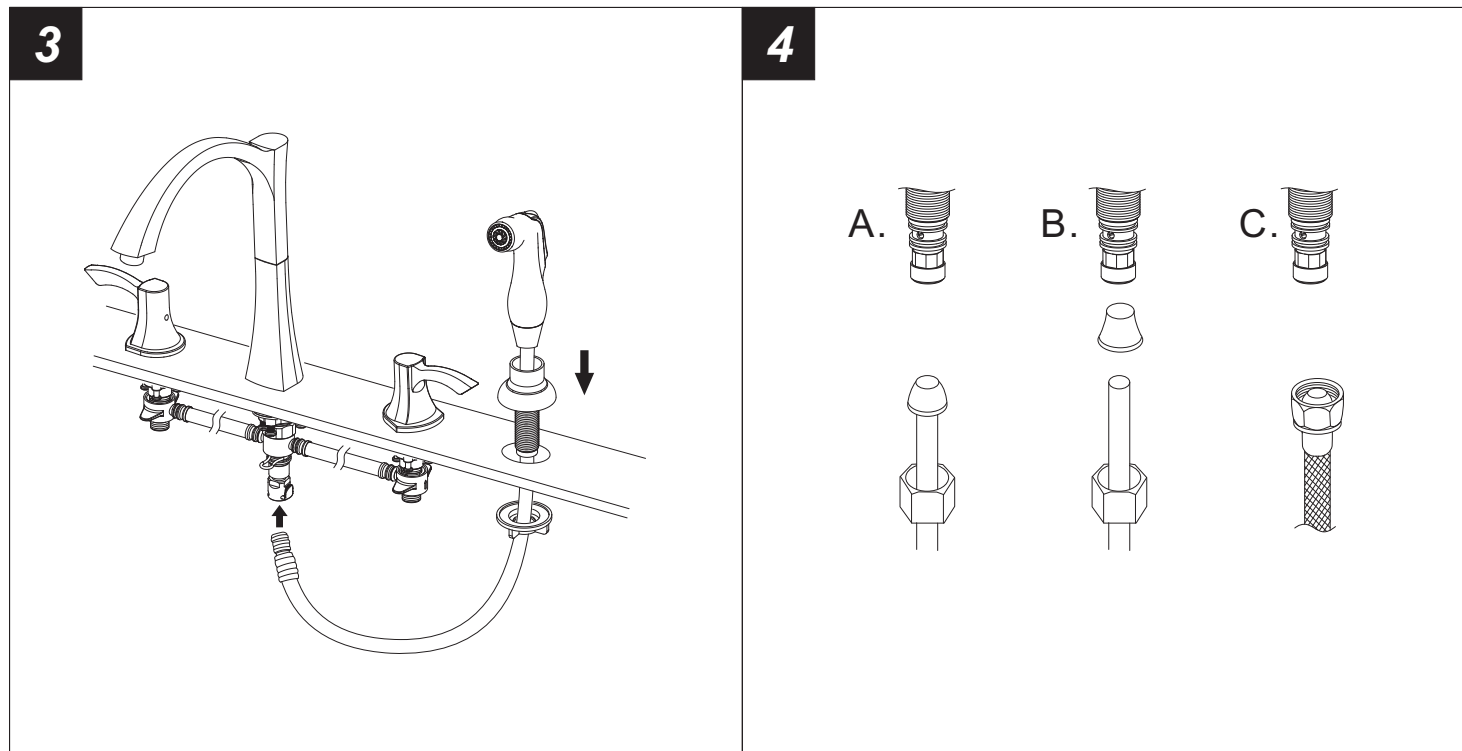
The tools might be applied to the following places:



Step 1 Faucet installation

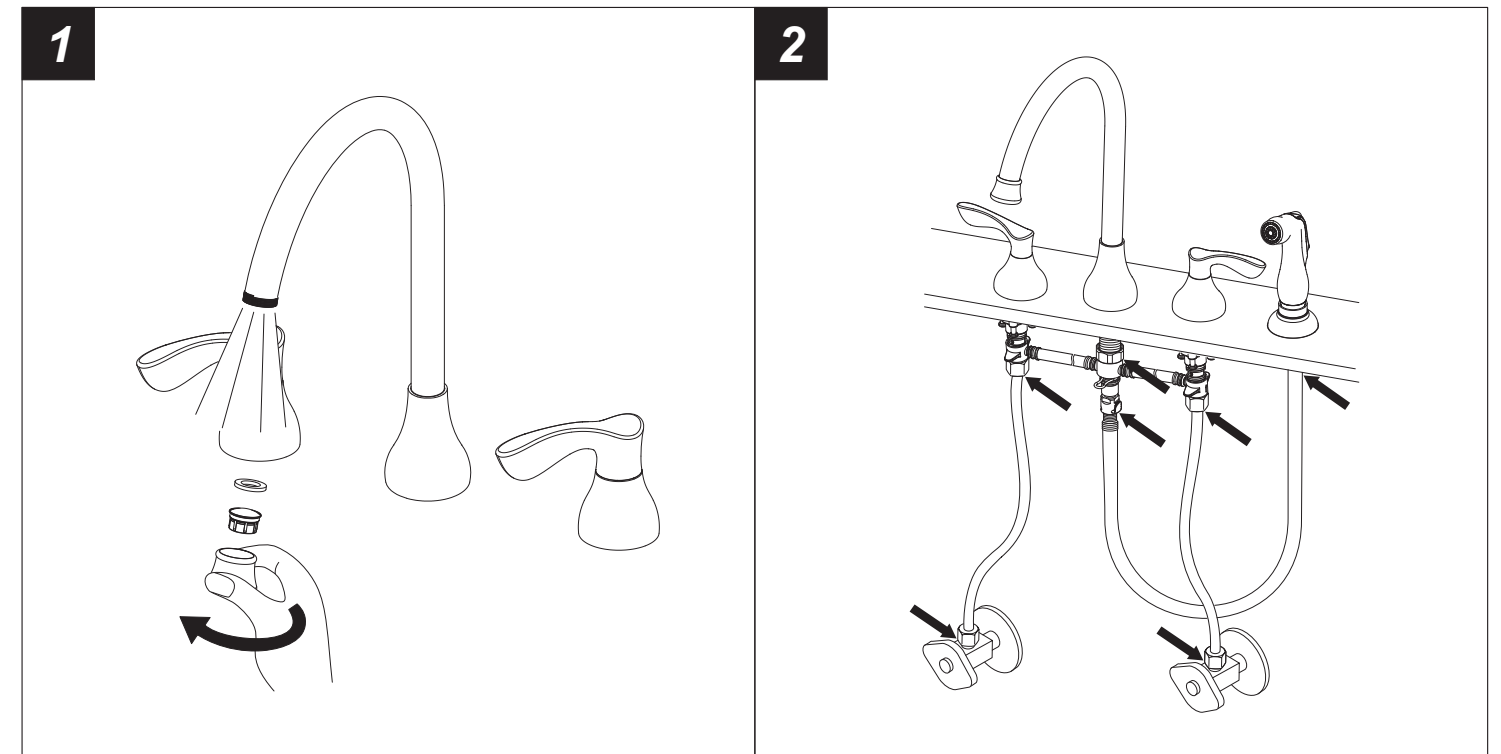


1. Position the faucet and handles on the installation surface and secure them with the fixing kit and tighten the screw with screw driver. Then assemble the diverter assembly. **Warning: don't forget the washer.**
2. Position the flexible hose as shown in photo, and secure it with clamp spring respectively, and finally connect the quick connect assembly to the diverter assembly as shown.



3. Put the side sprayer, base and hose in the installation surface and secure the sprayer with plastic lock nut. And connect the hose to faucet as shown. **CAUTION: Make sure the hose is properly connected to faucet.**
4. Connect to water supply lines with either:
 - (A) 3/8" O.D. Copper tubing (ball nose risers with the coupling nuts) or;
 - (B) 3/8" Copper tubing (no ball) with supplied tube head interior connector or;
 - (C) IPS faucet connectors (1/2").**Warning: The supply lines are not included, please purchase them in plumbshop.**

Step 2 Checking and testing



1. Remove the aerator by hand. Turn the faucet handle all the way on, turn on hot and cold water supply and flush water lines for one minute. Reinstall aerator by hand.
2. Check all connections at arrows for leaks, re-tighten it if necessary.



BUT DON'T OVERTIGHTEN

Step 3 Cleaning and care

Daily cleaning and care are required in order to keep the product shining and properly working.

1. Clean it with water and dry it with soft cloth.
2. Clean the product with gentle liquid or glass cleaner.
3. Don't use acid cleaner.
4. Don't clean with abrasive material, abrasive paper or knife.