

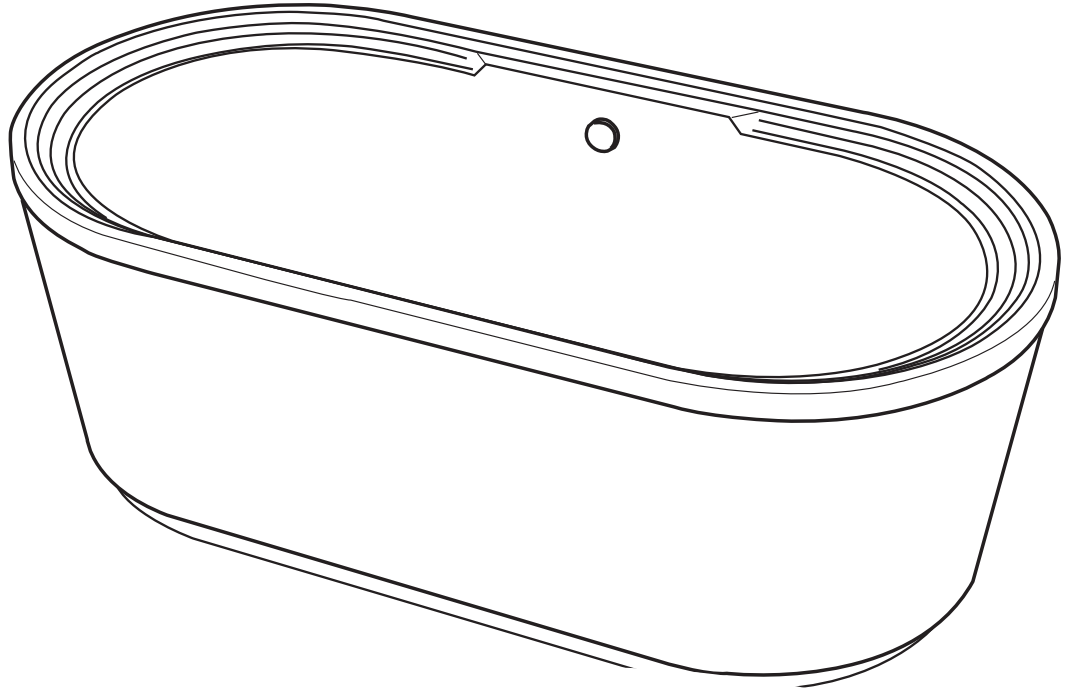


ANZZI™

# INSTALL & CARE GUIDE

ANZZI SOFI JETTED FREESTANDING BATHTUB

V2.5 DIM-V2.5 THIS LATEST MANUAL VERSION  
SUPERSEDES ALL PREVIOUS VERSIONS.





# FT-AZ201 FREESTANDING

## Key Attributes

Shape: ..... ROUNDED  
 Material: ..... ACRYLIC  
 Soaker Weight: ..... 105 lbs  
 Jetted Weight: ..... 135 lbs  
 Average Fill Capacity\*: ..... 50-60 gal  
 \*Estimated with occupant inside. May vary based on occupant's volume.

## Required Electrical

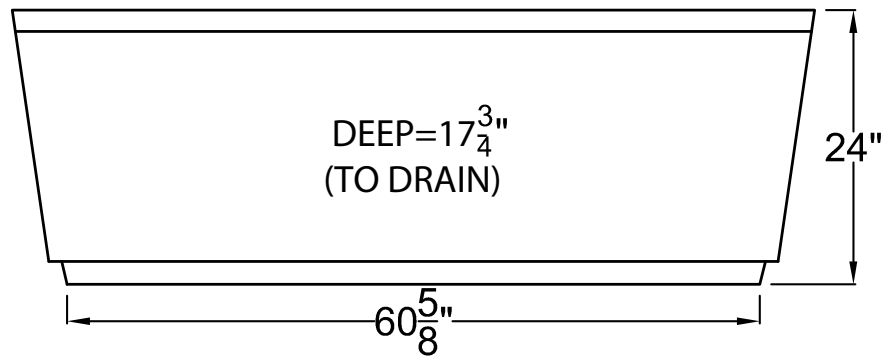
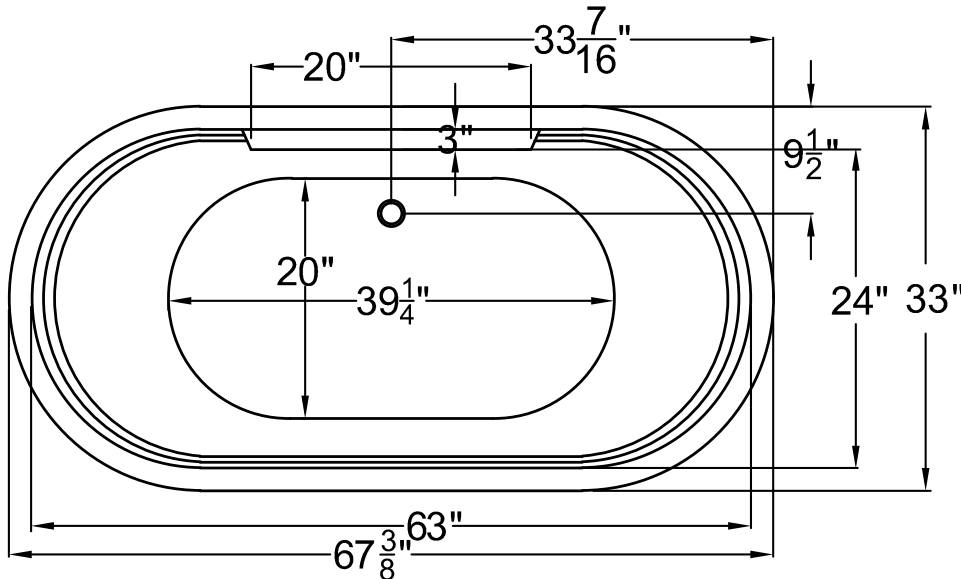
## Service 110v

Air Bath or Whirlpool..... 1x 15 amp GFCI  
 Whirlpool w/ Inline Heater..... 1x 20 amp GFCI  
 Whirlpool & Air Jetted..... 1x 20 amp GFCI  
 Soaker..... n/a

## Key Measurements (inches)

Overall Outer: ..... **67.375 L x 33 W x 24 H**  
 Overall Interior: ..... **63 L x 24 W x 17.75 H**  
 Interior Base: ..... **39.25 L x 20 W**  
 Built-in Seat: ..... n/a  
 Soaking Depth: ..... 13.75  
 Drain to Side Wall: ..... 66.437  
 Drain to Nearest Wall: .... 9.5  
 Lip Size: ..... n/a  
 Deck Space: ..... 3  
 Tile Flange:..... n/a  
 Arm Rest: ..... n/a

It is vital that tub is completely level for drain to work properly.





- **IMPORTANT!** TEST THE TUB'S DRAIN AND JETS (if any) BEFORE PERMANENT INSTALLATION!
- **INSPECT THE TUB WHEN RECEIVED!** Report any damages or missing parts within 5 business days of delivery date.
- Before ordering or installing, please consider future access to equipment.
- **Please measure tub on-site before building tub surrounding!**
- Jet, pump & blower locations are predetermined and cannot be changed.
- Tub door must remain closed when not in use.

- Please note that installer(s) must be certified or warranty will be voided.
- Measurements are subject to a +/- .5" variance and subject to change without notice. Measurements here in supersede all other published specs prior to publication date shown below.
- Inline heater (if included) is designed to maintain water temperature during operation. It will not heat cold water to desired bathing temperature.
- Product must be registered for warranty activation. See user manual or visit [SWCORP.com/register](http://SWCORP.com/register) for more information.

# INSTALLATION INSTRUCTIONS & OWNER'S MANUAL

(Refer to individual model sheets for specifications)

BEFORE BEGINNING INSTALLATION, CHECK THE FOLLOWING ITEMS  
AND READ THE INSTRUCTIONS CAREFULLY.

-  **CHECK ENTIRE UNIT FOR CONCEALED DAMAGE.** If there is any damage, DO NOT INSTALL! Shipping damages must be reported to the carrier immediately. All damage must be discovered and reported prior to installation in order to have it covered under the warranty! **DAMAGE MUST BE REPORTED WITHIN 5 BUSINESS DAYS OF DELIVERY!**
-  **COMPARE COLOR OF UNIT WITH OTHER FIXTURES.** If color is not sufficiently compatible with fixtures, DO NOT INSTALL!

## PLANNING THE INSTALLATION

1. Make certain the floor structure is level and adequate to support installation. See floor loading in tub specifications.
2. Building codes require that a panel(s) be constructed to allow ample clearance for plumbing repairs and pump service or removal. (Please refer to your local codes for regulations.)
3. Using the tub itself, or installation drawings, measure and mark locations for waste pipe, water supply, wiring runs, and service access.

## IMPORTANT SAFETY INSTRUCTIONS

**Read and follow all instructions and save these instructions.**

- WARNING!** Examine all plumbing for damage and water test before final installation. If damage has occurred, call our Technical Service Department at **1-844-442-6994**.
- WARNING!** Alterations or modifications of the plumbing system without expressed written authorization will invalidate all warranty claims.
- WARNING!** Installation must comply with current local and state building, plumbing, and electrical codes.
- WARNING!** It is the responsibility of the installer or owner to determine code requirements prior to installation.
- WARNING!** Connections should be made by licensed plumbers and electrician.

## IMPORTANT INSTRUCTIONS:

- \* Do Not lift by plumbing at any time! Lift by the tub deck.
- \* Tub must be supported by the subfloor and bedding, not by the tub lip.
- \* Run pump and test all functions and plumbing prior to finishing installation.
- \* Run pump only when water in tub is two inches over jets.

Any modifications to the plumbing system, including the pump, will void the warranty and approvals.

# READ AND FOLLOW ALL INSTRUCTIONS

1. DANGER: To reduce the risk of injury, do not permit children to use this unit unless they are closely supervised at all times.
2. Use this unit only for its intended use as described in this manual. Do not use attachments not recommended by the manufacturer.
3. Never drop or insert any object into any opening.
4. Do not operate this unit without the guard over the suction fitting.
5. The unit must be connected only to a supply circuit that is protected by a Ground-Fault Circuit Interrupter (GFCI). Such a GFCI should be provided by the installer and should be tested on a routine basis. To test the GFCI push the test button. The GFCI should interrupt power. Push the reset button. The power should be restored. If the GFCI fails to operate in this manner, there is a ground current flowing indicating the possibility of an electrical shock. Do not use this unit. Disconnect the unit and have the problem corrected by a qualified service representative before using.
6. A green colored terminal (or a wire connector marked `G`, `GR`, `GROUND`, or `GROUNDING`) is provided within the terminal compartment. To reduce the risk of electrical shock, connect this terminal or connector to the grounding terminal of your electrical service or supply panel with a continuous green insulated copper wire equivalent in size to the circuit conductors supplying the equipment, but no smaller than No.10 AWE (5.6mm)
7. A pressure wire connector on your bath is provided on the exterior of the terminal box within this unit to permit connection of a No. 8 AWE (8.4mm) solid copper bonding conductor between this unit and all electric equipment and exposed metal in the vicinity, as needed to comply with local requirements.

## 8. SAVE THESE INSTRUCTIONS.

---

### ATTENTION

---



**CHECK TUB FOR CONCEALED DAMAGE.**



**CHECK COLOR COMPATIBILITY WITH OTHER FIXTURES.**



**CHECK TO INSURE THAT THE BATH HAS THE PROPER COMPONENTS.**

**ANZZI WILL NOT BE HELD RESPONSIBLE FOR TUB  
DAMAGE OR COLOR COMPATIBILITY PROBLEMS AFTER WHIRLPOOL IS  
INSTALLED.**

**ANZZI WILL NOT BE HELD RESPONSIBLE FOR COST  
OF INSTALLATION OR REPAIR IF AN INCORRECT TUB IS INSTALLED.**

**READ INSTRUCTIONS BEFORE STARTING INSTALLATION.**

# GENERAL NOTES

**CONSTRUCTION** - The tub surface is made of marine grade acrylic. The substructure is a composite laminate constructed of fire retardant fillers.

**ELECTRICAL** - Factory wired for 110 Volt 20 Amps. Ground-Fault Circuit Interrupter (GFCI) is required. The 20 Amp GFCI breaker must not supply any other circuits or devices. If an electric heater is equipped an additional dedicated 15 amp breaker is required. An access panel must be installed to permit pump service.

The unit must be connected only to a supply circuit that is protected by a Ground-Fault Circuit Interrupter (GFCI). Such a GFCI should be provided by the installer and should be tested on a routine basis. To test the GFCI push the test button. The GFCI should interrupt power. Push the reset button. The power should be restored. If the GFCI fails to operate in this manner, there is a ground current flowing indicating the possibility of an electrical shock. **(See schematic on Pg. 5)**

**ELECTRICAL ROUGH-IN (WARNING)** When using electrical products basic precautions should always be followed including the following: Rough-in wiring to equipment on a Ground-Fault Circuit Interrupter (GFCI). The GFCI circuit breaker must not supply any other devices or circuits. Please note that depending on the therapy type of your tub, you could have multiple electrical plugs located under the skirt. Please ensure all cords are accounted for before setting the tub in place for final installation. An access panel must be installed to permit pump service.

**WARNING:** Failure to follow instructions exposes users to risk of electrical shock or fire.

**PLUMBING ROUGH-IN** - The bath waste pipe protrudes below the base approximately one inch. Provide supply pipe, rough-in waste and vent per local code.

**BATH WASTE AND OVERFLOW** - Read instructions enclosed with bath waste drain for proper setting and fitting. Water tight installation of the drain is the installer's responsibility. The waste and overflow is not included with the tubs unless purchased as an option. If not purchased with the tub, you must supply and install an alternative.

**TESTING** - Inspecting the unit prior to installation is the responsibility of the installer or building contractor who acts on behalf of the user. They are responsible for ensuring the unit is free of defect or damage. In the event of a problem, the unit must not be installed. ANZZI is not responsible for failures or damage that could have been discovered, repaired, or avoided by proper inspection and testing prior to installation.

## INSTALLATION

**PROTECTION OF TUB** - Use a section of the box, cut to size, and place in the bottom of the tub. When possible, keep the box cover over the tub. These steps will help protect the tub from abrasion or damage during installation.

**IMPORTANT:** If installing a skirt with removable panel, read instructions for the skirt prior to rough-in. The instructions are located in the box with the skirt.

**SETTING TUB IN PLACE** - The bath waste opening protrudes below the base approximately one inch. You may be required to cut a hole in the subfloor to accommodate bath waste. In slab on grade or prestressed concrete floors where cutting is not desired, the tub may be raised up by building the platform higher and using extra mortar under the tub. If a joist must be notched, verify that structure will not be weakened. Remove only what is necessary. Provide supply pipe, rough-in waste and vent per code.

**PLUMBING** - PVC Schedule 40 piping, self draining pump and fittings come completely preplumbed unless requested otherwise. The pump and whirlpool system are completely contained within the tub perimeter. On some models, the pump may exceed beyond the perimeter of the tub. If you have such a model, please make allowances during installation.

**ELECTRICAL** - Factory wired for 110 Volt 20 Amps. Ground Fault Circuit Interrupter (GFCI) is required. The GFCI breaker must not supply any other circuits or devices.

**FINISHING** - Before finishing with your choice of material, make sure access entries are available to the pump, bath waste, and plumbing fixtures. Finish as desired and seal around tub, preferably with silicone.

### NOTE:

1. For Caulking, we recommend 100% sanitary silicone rather than latex.
2. For quieter operation, you may choose to insulate the construction area.
3. IT IS THE INSTALLERS RESPONSIBILITY TO SUPPLY ACCESS TO PUMP AND EQUIPMENT

**REMINDER:** During construction, we suggest that you cover tub to avoid use as trash receptacle

**NOTE:** To service the pump, blower and other electrical components the caulking must be removed. Afterwards the skirt should be cleaned and caulking reapplied.

**MAINTENANCE** - For any maintenance or repair the shell can be removed by flipping the tub over, locating and removing the 4 plastic nubs and loosening the securing screws underneath. Then the entire shell can easily be removed. If the tub is fully installed, but must be uninstalled for maintenance or repair, the caulking must be removed completely; and the tub must be cleaned and new caulking is to be applied for reinstallation.

# INSTALLATION CONTINUED

## PREPARATION

1. Clean, level and prepare the floor for installation.
2. Place the unit in the exact installed position on the floor and trace the outline of the bath with a pencil or any erasable marking (figure 1).

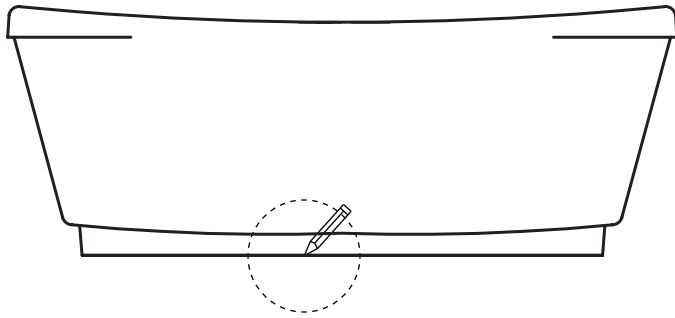


Figure 1

3. Determine the location of the drain pipe, on the floor by taking measurements of the drain and waste location underneath the unit (figure 2).

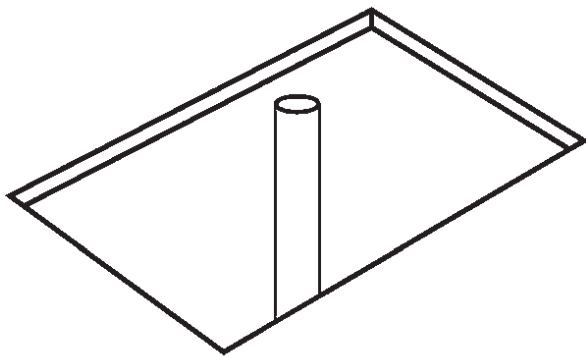


Figure 2

4. Using a blanket, cardboard, or other clean protective surface, turn the unit on its side so that the unit is properly supported during drain installation.
5. Clean the drain hole area in preparation of setting the drain. The area should be dry and free of any debris.

## INSTALL DRAIN HARDWARE

6. Apply a bead of clear silicone or plumbers putty around the Drain Body and pass it through the drain hole (figure 3).
7. Apply plumbers putty to the Washer and slide it over the bottom of the Drain Body (figure 3).

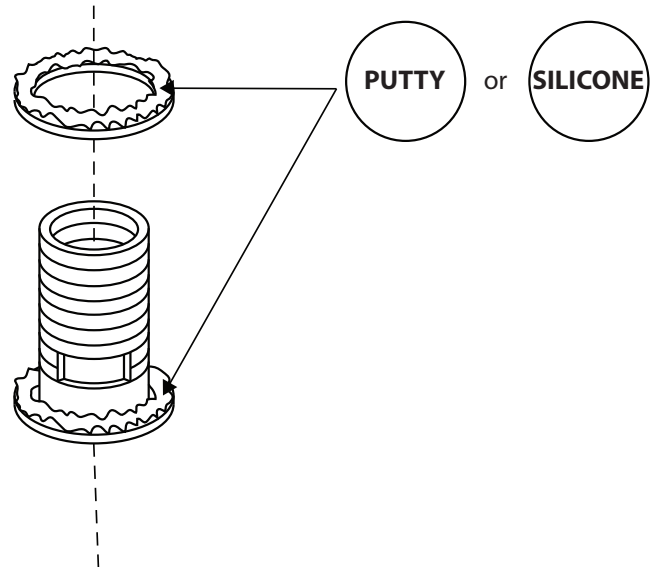


Figure 3

8. Slide the paper washer over the drain body.
9. Attach the Drain Body Nut on the Drain Body and tighten until the Nut and Washer have created a seal with the bottom of the bathtub. **DO NOT OVERTIGHTEN** (figure 4).

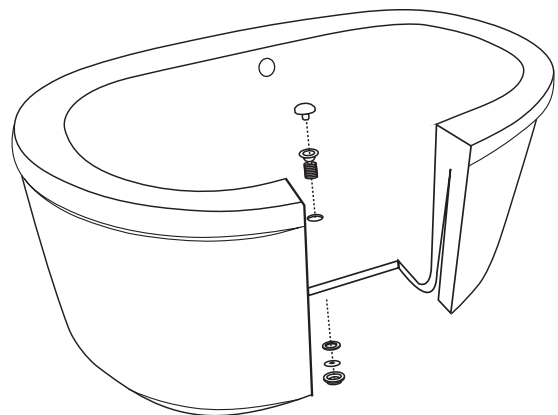


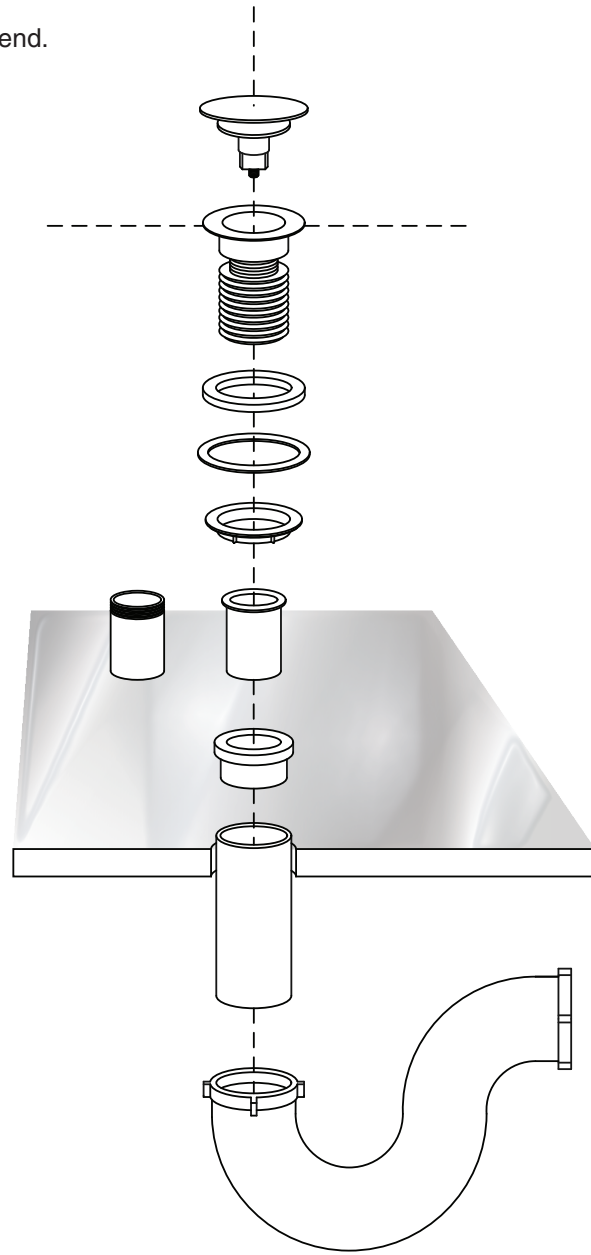
Figure 4

# INSTALLATION CONTINUED

## PREPARE TAIL PIECE

All parts involved in tail piece installation are provide by the installer (figure 5).

1. Drain waste vent must always be installed according to local standard. Verify the placement of the bathtub before drilling the hole for the drain waste vent.
2. Install 1 1/2 inch rubber slip gasket over the drain waste vent.
3. Cut tail piece to desired length (will vary for each installation).
4. Slide tail piece nut over tail piece towards flanged end.
5. Connect tail piece assembly to waste vent.
6. Place flange washer on top of tail piece.





# INSTALLATION CONTINUED

## INSTALL BATHTUB

1. Apply a generous bead of adhesive or silicone to the bottom of the tub supports (figure 6).
2. Then apply a bead of tub and tile caulk around the edge of the base (figure 6)

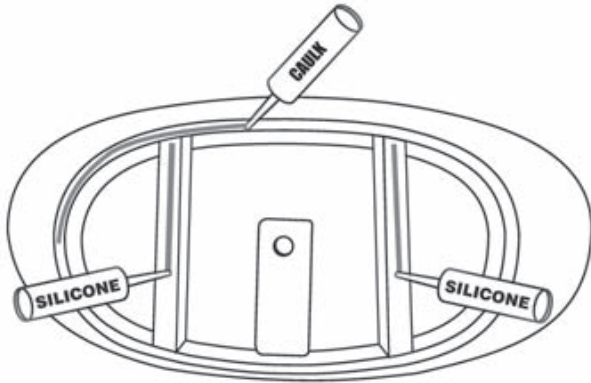


Figure 6

3. Carefully set tub into position (figure 7) and connect the drain hardware (previously installed). Finish the installation of the tail-piece installation.

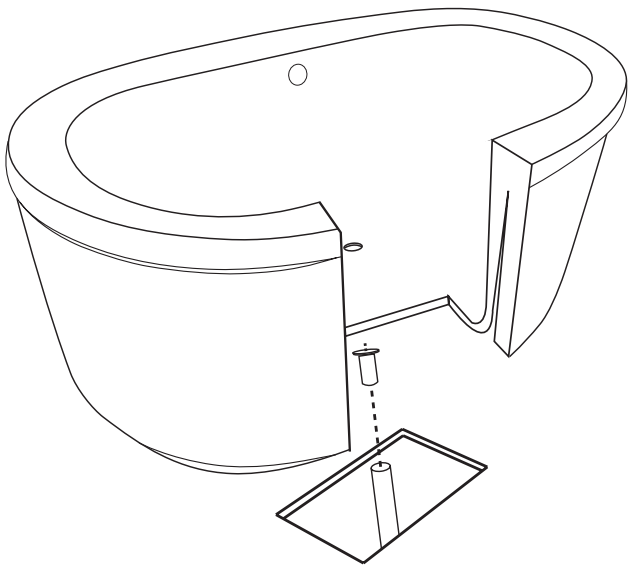


Figure 7

## COMPLETE BATHTUB INSTALLATION

19. Fill the tub with water to the overflow and then drain the tub while inspecting the waste connections below the floor for leaks. Access from below will be necessary for this step (figure 8).

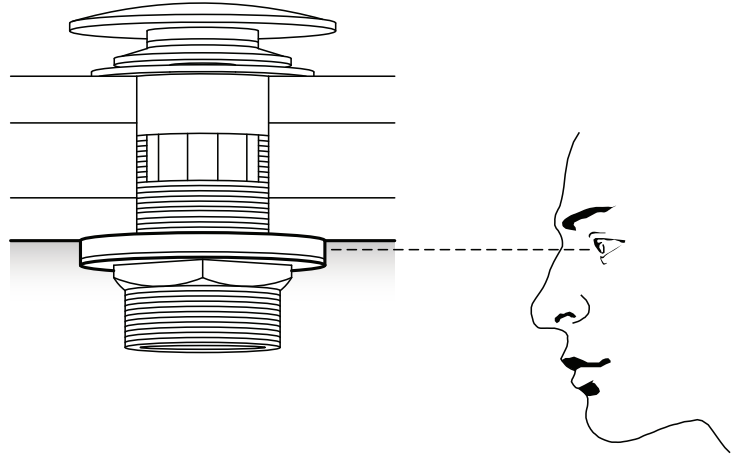


Figure 8

20. With the bathtub now in place, wipe off any excess tub and tile caulk and adhesive where the tub meets the floor.
21. Run a bead of tub and tile caulk around the bottom edge of the bathtub where it meets the floor. Wipe off any excess caulk with a wet cloth (figure 9). If the tub must be uninstalled for maintenance or repair completely remove the caulking. Afterwards thoroughly clean the bottom of the shell and reapply caulking.

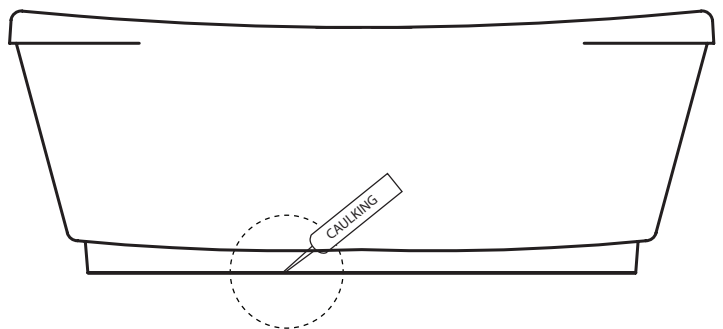


Figure 9

# INSTALLATION CONTINUED

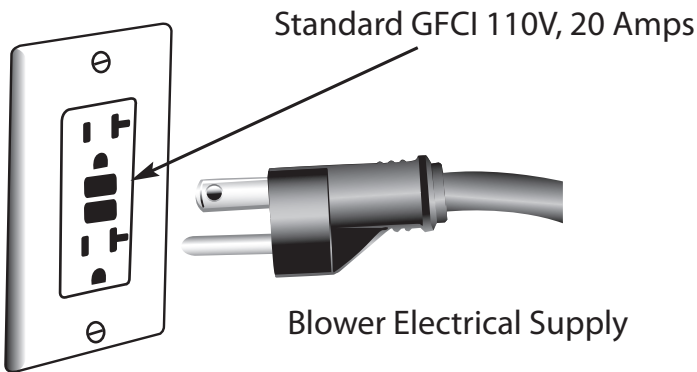
## PLUMBING ROUGH-IN

The bath waste opening protrudes below the base approximately one inch. You may be required to cut a hole in the subfloor to accommodate bath waste. In slab on grade or prestressed concrete floors where cutting is not desired, the tub may be raised up by building the platform higher and using extra mortar under the tub. If a joist must be notched, verify that structure will not be weakened. Remove only what is necessary. Provide supply pipe, rough-in waste and vent per code.

## PLUMBING

PVC Schedule 40 piping, self draining pump and fittings come completely preplumbed unless requested otherwise. The pump and whirlpool system are completely contained within the tub perimeter. On some models, the pump may exceed beyond the perimeter of the tub. If you have such a model, please make allowances during installation.

## INCOMING POWER



## ELECTRICAL

Factory wired for 110 Volt 20 Amps. Ground Fault Circuit Interrupter (GFCI) is required. The GFCI breaker must not supply any other circuits or devices.

## FINISHING

Before finishing with your choice of material, make sure access entries are available to the pump, bath waste, and plumbing fixtures. Finish as desired and seal around tub, preferably with silicone.

## NOTE:

1. For Caulking, we recommend 100% sanitary silicone rather than latex.
2. For quieter operation, you may choose to insulate the construction area.
3. IT IS THE INSTALLERS RESPONSIBILITY TO SUPPLY ACCESS TO PUMP AND EQUIPMENT

**REMINDER:** During construction, we suggest that you cover tub to avoid use as trash receptacle

**NOTE:** To service the pump, blower and other electrical components the caulking must be removed. Afterwards the skirt should be cleaned and caulking reapplied.

# BUTTON LAYOUT



## 1 HYDRO JET FLOW CONTROL

Used to increase or decrease air pressure flowing through the water jets.

## 2 HYDRO CONTROL (PUMP)

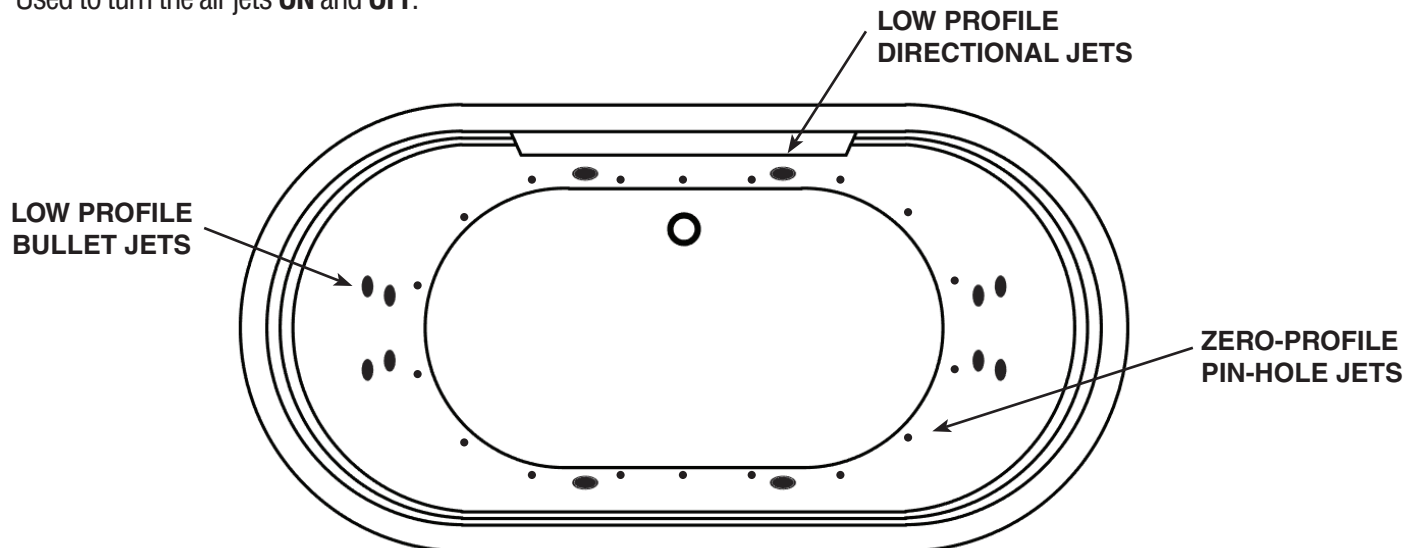
Used to turn the water jets **ON** and **OFF**.

## 3 AIR CONTROL (BLOWER)

Used to turn the air jets **ON** and **OFF**.

## 4 AROMATHERAPY CAP

Remove this cap to reveal the aromatherapy reservoir. Insert your aromatherapy beads and close the cap. When the air blower has activated the stream of air will pass over the beads, pick up the aroma and release scented bubbles out of the pinhole jets. e user to direct the jet flow by moving the central nozzle. Call 305-330-1146 to reorder aroma-beads.



# FEATURES GUIDE

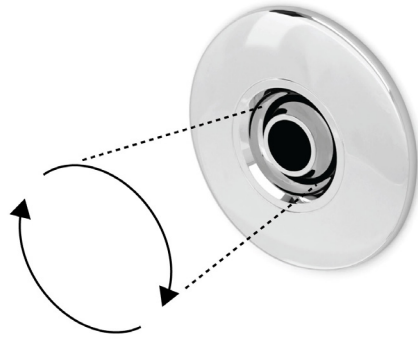
## Safety Suction

Inlet that allows water to return to pump (standard on all models). If suction is blocked, the pump will automatically shutdown.



## Directional Acu-Flow Jets

Allows the bather to direct the jet flow by moving the central nozzle.



## H.E.E.T.

Maintains water temperature without a heater using kinetic energy of the water pump.



## Low Profile Acu-Stream Bullet Jets

Specially designed underwater LED lights will enhance your mood upon illumination.



## Aromatherapy (if equipped)

Open the aroma canister, drop in your favorite fragrance - turn on the blower system and you will experience an immediate sense of aromatic bliss.



## Zero Profile Pin-Hole Air Jets

Delivers a powerful and continuous stream of enveloping air bubble massage producing a soothing and dynamic hot tub style experience.



# CAUTION

**USER SHOULD** periodically flush operating system (not to exceed 90 days). As a minimum, shall consist of filling and running system and draining. ANZZI recommends flushing with a mild solution of water and sanitizer such as chlorine or other commercially available whirlpool bath flushing products.

**DO NOT** use abrasives. They may dull or scratch surface of the acrylic.

**DO NOT** use oil based solvents. Clean with only a damp cloth or mild detergent or any common glass cleaner.

**DO NOT** use bubble bath while the whirlpool is operating.

**DO NOT** turn on pump without water in the bathtub. To do so may cause damage to the pump.

**DO NOT** alter the position of the pump. To do so may void your warranty.

**NOTE:** Caustic drain openers will damage the surface and the pump! Extreme heat from portable heaters and cigarettes can damage the surface of the tub. **DO NOT USE OIL BASED BATH ADDITIVES.**

## FOR MINOR SCRATCHES

The procedure to remove light surface scratches or burnish marks is quite easy. Simply apply rubbing compound to the affected area and buff lightly. Then apply paste wax and gently buff again to return the original shine.

## CLEANING RECOMMENDATIONS

### To clean the pipes and pump:

Fill the tub and pour a cup of bleach (or dishwasher soap [i.e. Cascade] if bleach is not available), run pump for five (5) minutes and let it sit for ten (10) minutes. Run the pump for five (5) minutes, then rinse two (2) times. Wipe off the surface after the rinse because the bleach may discolor some color trimmings.

### After using bleach or dishwasher soap, you should follow this cleaning procedure:

Fill the tub with water and run the pump for 5 minutes, then rinse it 2 times. Clean with a soft damp cloth, do not use abrasive cleaners as they may scratch and dull surface of the unit.

### To clean the pipes and pump:

Simple but effective, offering you complete peace of mind. Simply dilute a small amount of water with any household antibacterial cleaning agent, drop it into the aromatherapy dispenser, activate the pump and your tub is cleaned and sanitized. Also purge cycle at 30 minutes after tub is use, another every 24 hours. Standard with Air Tub.

# PRECAUTION

**HEAT STROKE** - The most susceptible people are very young, the elderly, alcoholics, and most people under the influence of drugs.

**SYMPTOMS** - Hypothermia causes loss of salt, sweating, ordinary dizziness, headache, dryness of the mouth, nausea, faintness and/or unconsciousness, convulsions, flushed appearance of the skin and rapid pulse, and/or weak or shallow breathing.

**TREATMENT** - Place on back, head slightly elevated, apply wet cloths or ice to the head, wrap body in sheet while pouring on small amounts of water, cool shower or bath, and get medical attention as soon as possible.

# TROUBLESHOOTING

## PROBLEM

## SOLUTION

Pump not starting

Check wiring; Check the on/off switch; Check water level; Reset GFI at outlet.

Pump humming but not priming

Air trapped in line; Check for clogged jets. Add water, may have to open top union.

Pump not moving water

Possible obstruction in impeller. Possible frozen clutch (requires replacement).

No jet pressure

Clogged jet; air control not open; jet not open; missing part in jet.

Leak in plumbing

**LIMITED WARRANTY COVERAGE**  
**READ CAREFULLY, THE WARRANTY APPLIES ONLY TO ORIGINAL OWNER**

**10 YEARS STRUCTURAL**

**BATH SHELL:** ANZZI warrants its bath shells against loss of water through the fiberglass laminate of the tub body as a result of a defect in materials and workmanship, for a period of ten (10) years from the purchase date.

**10 YEARS SURFACE**

The acrylic surface is warranted against blistering, cracking and chipping resulting from a defect in the acrylic surface material for a period of ten (10) years from the purchase date. Any scratches or surface level damage must be reported within 5 business days of delivery date. **ONCE TUB IS INSTALLED SCRATCHES ARE NOT COVERED UNDER WARRANTY.**

**1 YEAR PUMP • 1 YEAR BLOWER • 1 YEAR PARTS  
PLUMBING AND EQUIPMENT**

ANZZI warrants factory installed plumbing parts and fittings, and electrical components to be free from defect in materials and workmanship for a period of one (1) years from the purchase date, a period of one (1) years from the purchase date for the pump, and a period of one (1) years from the purchase date for the blower.

**EXTENT OF WARRANTY/RESPONSIBILITY OF PURCHASER**

This warranty applies only to original purchaser of the ANZZI. Bathtub must be registered with 90 days of delivery date to activate warranty. To register fill out the registration card in the manual and mail it to 5701 NW 35th Avenue Miami, FL 33142. Or, register online at [www.ANZZI.com/register](http://www.ANZZI.com/register). Original purchaser must establish, by dated sales slip, invoice or delivery receipt, the date of purchase. The warranty applies to ANZZI manufactured after October 1, 2010.

**WARRANTY PERFORMANCE**

In the event of any defect in workmanship or materials covered under the terms of the "Bath Shell" warranty, ANZZI will repair the defect and will be responsible for the labor cost incurred by its agent in doing so. Travel, trip or mileage costs incurred by the authorized agents are not covered under this warranty. ANZZI, at its sole discretion, may elect to replace the defective bath. All costs involved in replacing the unit are not covered under this warranty.

In the event of any malfunction or defect covered under the terms of the "Plumbing and Equipment" warranty, ANZZI will repair or replace the defective item for a period of one (1) years from the purchase date for parts, a period of one (1) years from the purchase date for the pump, a period of one (1) years from the purchase date for the blower. **Labor cost to repair an ANZZI is covered for a period of ninety (90) days, and must be performed by an certified contractor or installer.** The purchaser is responsible to provide adequate access to the equipment and plumbing. **Any labor costs attributed to removing decking or any other obstacle to gain easy access to the equipment or plumbing are not covered. Travel, trip or mileage costs incurred by servive technician for in-home service are not covered under this warranty.**

Written notice of any malfunction or defect must be given within ten (10) business days of the time it is discovered, to ANZZI, 5701 NW 35th Avenue, Miami, Florida 33142. ANZZI reserves the right to inspect the malfunction or defect on location.

**RESPONSIBILITIES OF OTHERS**

Inspecting the unit prior to installation is the responsibility of the installer or

building contractor who acts on behalf of the user. They are responsible for ensuring the unit is free of defect or damage. Notices are placed on and in the unit and on the shipping carton advising the installer of this responsibility. In the event of a problem, the unit must not be installed. ANZZI is not responsible for failures or damage that could have been discovered, repaired, or avoided by proper inspection and testing prior to installation.

**Damage occurring in transit is the responsibility of the carrier. The user or installer MUST open the crate and inspect the unit for damage when it is delivered. If damage is discovered, THE TUB MUST NOT BE INSTALLED, and damages must be reported to the manufacturer within 5 business days of delivery.**

**LIMITATIONS AND EXCLUSIONS**

This warranty does not cover any claim arising from abuse, misuse, negligence, accident, improper installation or operations on the part of the purchaser or installer. This warranty is void if the ANZZI is subject to alteration, or if repairs are attempted by anyone other than an authorized agent of ANZZI. This warranty does not extend to plumbing or components installed by dealers, installers or by any party other than ANZZI.

ANZZI will not be liable for loss of use of the product, inconvenience, or any other incidental or consequential costs, expense or damages. Please note that some states do not allow the exclusion or limitation of incidental damages. Additionally, this warranty does not cover discontinued or display products.

**DISCLAIMER**

Except as expressly provided, there shall be no warranty or obligation, express or implied, oral or statutory. No dealer or other person has the authority to make any warranties or representations concerning ANZZI or its products. In no event shall ANZZI be held responsible for any such warranties or representations.

**OTHER RIGHTS**

This warranty gives you specific legal rights, and you may have other rights which may vary from state to state.



