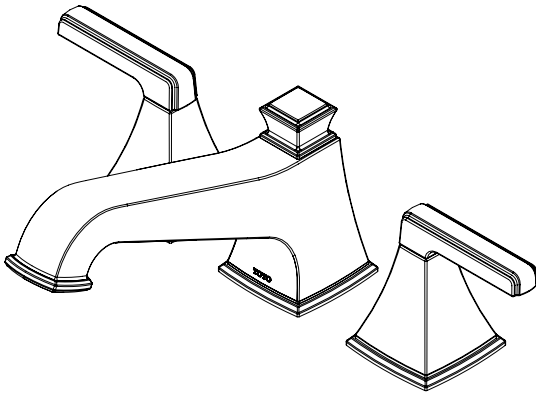


**3 Hole Roman Tub Trim**



**Connelly™**  
**TB221DD**

**TABLE OF CONTENTS**

Thank You for Choosing TOTO! ..... 2

Care And Cleaning ..... 2

Warnings..... 2

Before Installation ..... 3

Included Parts ..... 3

Installation Procedure..... 4

Warranty..... 5

Rough-In Dimensions ..... 14

**THANK YOU FOR CHOOSING TOTO!**

The mission of TOTO is to provide the world with healthy, hygienic and more comfortable lifestyles. We design every product with the balance of form and function as a guiding principle. Congratulations on your choice.

**CARE & CLEANING**

Your new tub filler is designed for years of trouble-free performance. Keep it looking new by cleaning it periodically with mild soap, rinsing thoroughly with warm water and drying with a clean, soft cloth. Do not use abrasive cleaners, steel wool or harsh chemicals, as these will dull the finish. Failure to follow these instructions may void your warranty.

**WARNINGS**

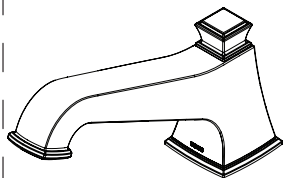
- For safe operation, please observe the following:
- Operating Pressure:
    - Minimum Pressure .....20 psi (0.14 MPa), dynamic
    - Maximum Pressure .....80 psi (0.55 MPa), static
  - Do not use the product at an ambient temperature below 32 °F (0 °C).

## BEFORE INSTALLATION

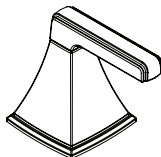
- Observe all local plumbing codes.
- Make sure the water supply is shut off.
- Read these instructions carefully to ensure proper installation.
- TOTO reserves the right to update product design without notice.
- Check to make sure you have the following parts indicated below:

## INCLUDED PARTS

Spout Assembly



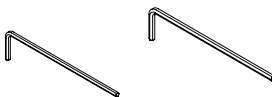
Handle Assembly (2X)



Set Screws



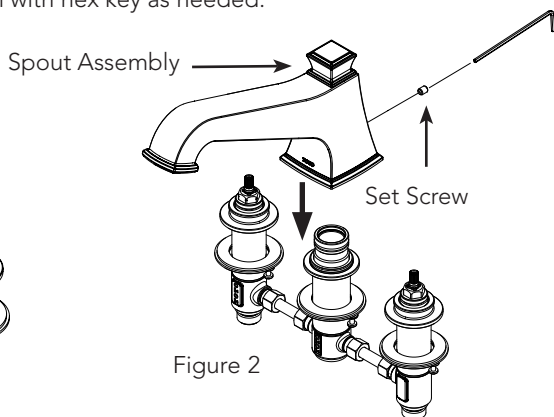
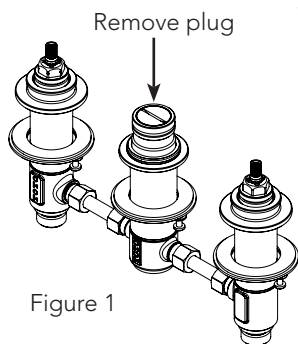
Hex Keys



\* Actual product may vary in appearance depending on model.

## INSTALLATION PROCEDURE - SPOUT

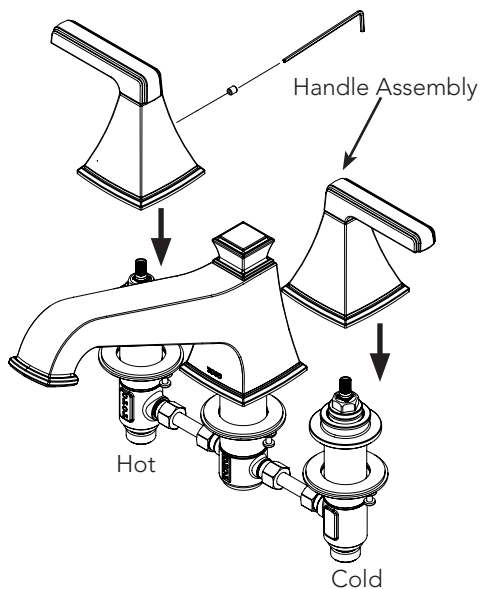
1. Confirm that the valves have been installed properly. See the TBMT2 installation manual for further information.
2. Remove plug from outlet. (Figure 1).
3. Orient spout assembly as shown and lower onto exposed portion of diverter valve. Fasten spout to valve with provided set screw. Tighten with hex key as needed. (Figure 2).



## INSTALLATION PROCEDURE - HANDLES

1. Orient handle assembly and lower onto the exposed portion of valve until engaged. Fasten spout to valve with provided set screw. Tighten with hex key as needed..
2. Repeat for other handle assembly.

NOTE: If handles do not line up exactly as desired, remove handle from valve and reinstall one (1) notch over (on valve). Fine adjustment may be done by slightly rotating valve from underneath installed surface.



# ROUGH-IN DIMENSIONS

## TB221DD

