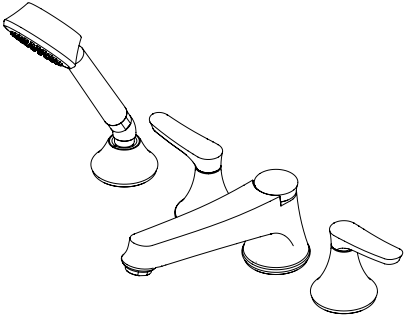
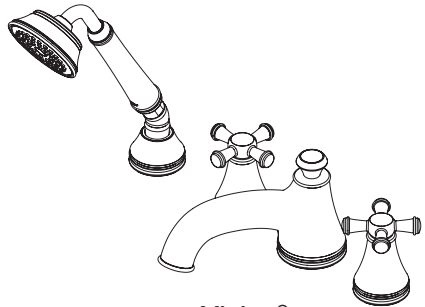


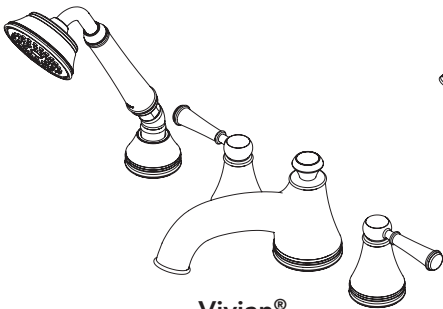
**Four-Hole Roman Tub Filler Trim**



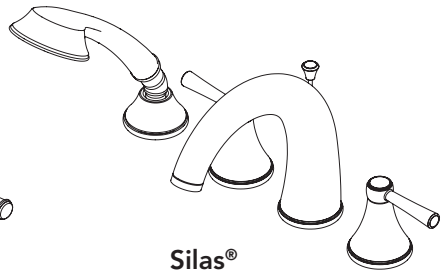
**Wyeth™**  
TB230S



**Vivian®**  
TB220S



**Vivian®**  
TB220S1



**Silas®**  
TB210S

**TABLE OF CONTENTS**

Thank You for Choosing TOTO! ..... 2

Care And Cleaning ..... 2

Warnings..... 2

Before Installation..... 2

Included Parts ..... 3

Installation Procedure..... 3-5

Warranty..... 6

Rough-In Dimensions ..... 17-20

**THANK YOU FOR CHOOSING TOTO!**

The mission of TOTO is to provide the world with healthy, hygienic and more comfortable lifestyles. We design every product with the balance of form and function as a guiding principle. Congratulations on your choice.

**CARE & CLEANING**

Your new tub filler is designed for years of trouble-free performance. Keep it looking new by cleaning it periodically with mild soap, rinsing thoroughly with warm water and drying with a clean, soft cloth. Do not use abrasive cleaners, steel wool or harsh chemicals, as these will dull the finish. Failure to follow these instructions may void your warranty. If any nozzles become clogged with mineral build up, rub gently with finger tips to clean.

**WARNINGS**

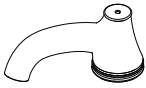
- For safe operation, please observe the following:
- ④ Operating Pressure:
    - ③ Minimum Pressure .....20 psi (0.14 MPa), dynamic
    - ③ Maximum Pressure .....80 psi (0.55 MPa), static
  - ④ Do not use the product at an ambient temperature below 32 °F (0 °C).

**BEFORE INSTALLATION**

- ④ Observe all local plumbing codes.
- ④ Make sure the water supply is shut off.
- ④ Read these instructions carefully to ensure proper installation.
- ④ TOTO reserves the right to update product design without notice.
- ④ Check to make sure you have the parts indicated on the following page.

## INCLUDED PARTS

Spout Assembly\*



Handle Assembly\* (2X)



Handshower Mount\*



Set Screw and Hex Key



Handshower\*



Pop Up Rod\*



Elbow



Handshower Hose

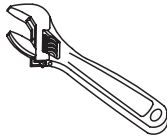


Tube for Pop Up Rod



\* Actual product may vary in appearance depending on model. TB220S model shown.

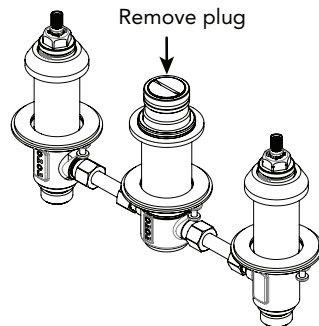
## COMMON TOOLS NEEDED



(2X) Adjustable Wrench

## INSTALLATION PROCEDURE - Spout

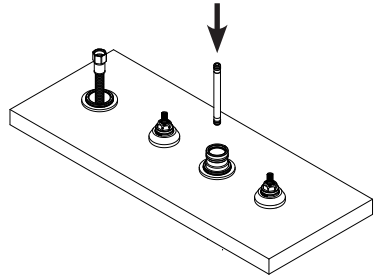
1. Confirm that the valves have been installed properly. See the TBMV installation manual for further information.
2. Remove plug from outlet.



## INSTALLATION PROCEDURE - Spout

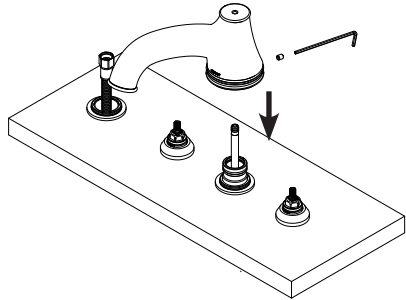
3. Insert the tube for pop up rod inside the pre-installed diverter valve.

Push firmly until fully seated. Take care not to damage the o-rings.

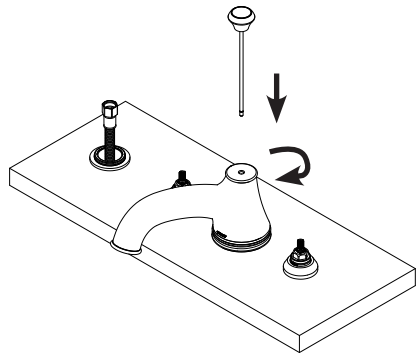


4. Orient spout assembly as shown and lower onto exposed portion of diverter valve.

Use hex key to fasten spout to valve with provided set screw. Tighten as needed.



5. Pass the pop up rod through the opening in the spout and thread it into diverter valve to secure.



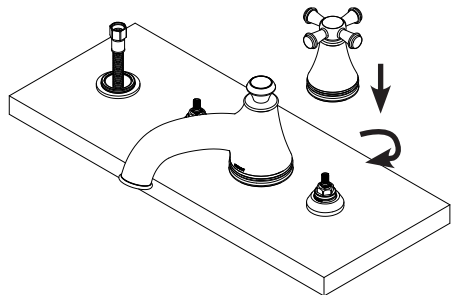
## INSTALLATION PROCEDURE - Handles

\*Actual product may vary in appearance depending on model.

1. Orient handle assembly and lower onto the exposed portion of valve until engaged. Rotate the base (dome) of the handle assembly to fasten it to the valve.

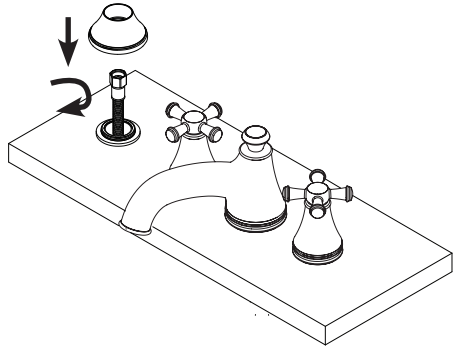
Repeat for other handle assembly.

NOTE: If handles do not line up exactly as desired, remove handle from valve and reinstall one (1) notch over (on valve).



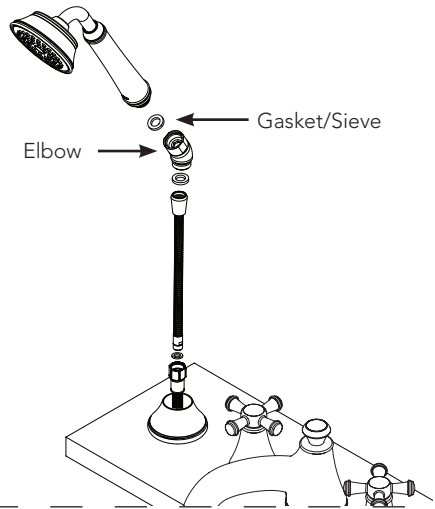
## INSTALLATION PROCEDURE - Handshower

1. Fasten the handshower mount to the pre-installed rough collar.

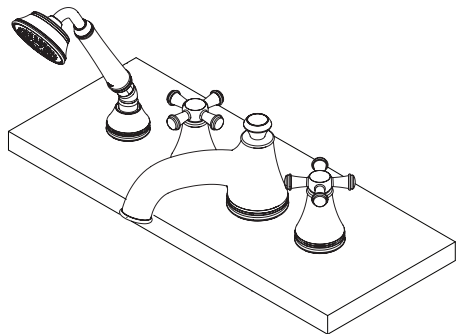


2. Place gasket in elbow nut and fasten handshower until completely sealed.

**NOTE:** Only one (1) gasket per location shown, do not add if gasket already present.

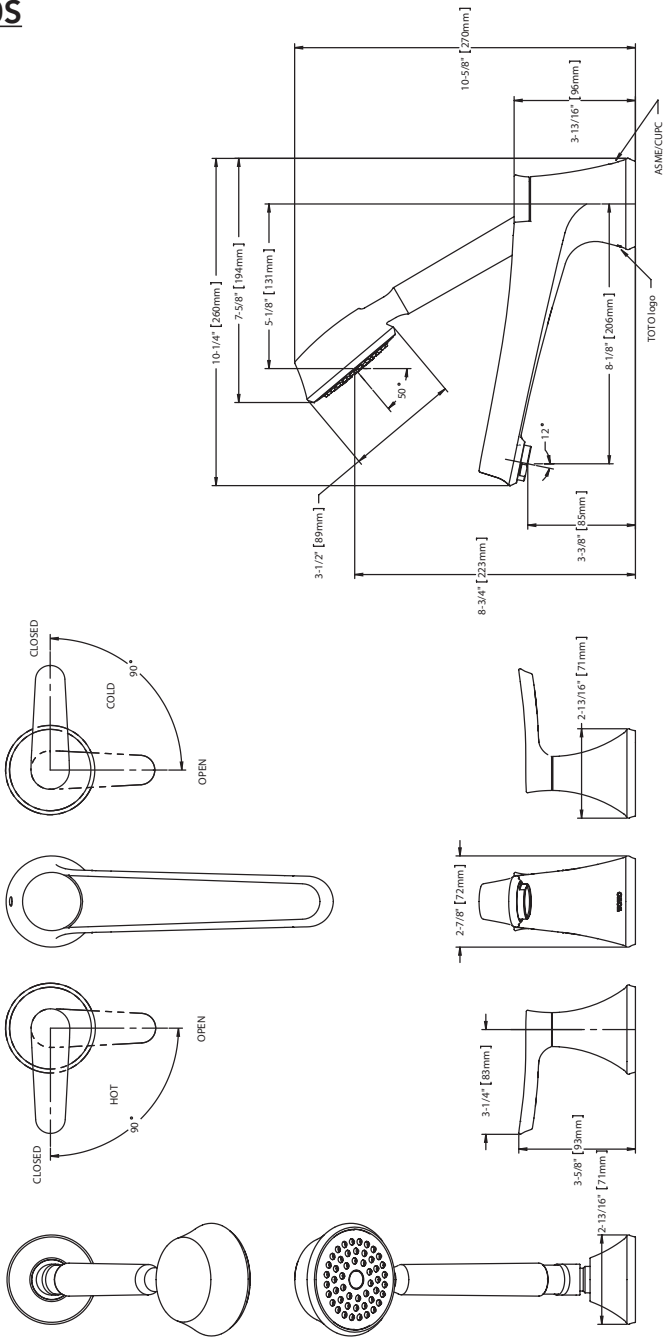


3. Retract handshower hose to seat elbow in the handshower mount.



# ROUGH-IN DIMENSIONS

## TB230S





# ROUGH-IN DIMENSIONS

## TB220S1

