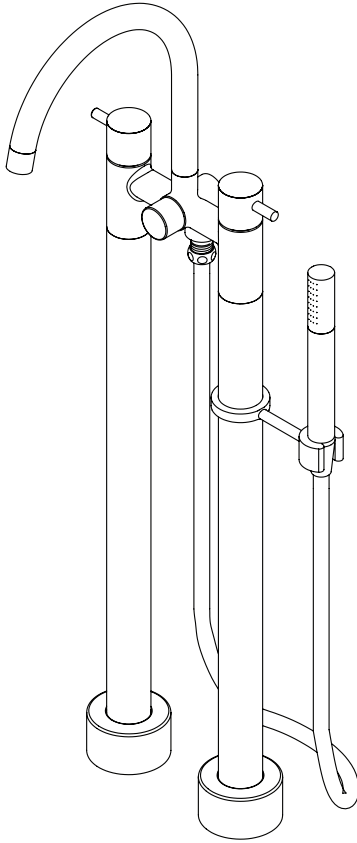


Double-Handle Freestanding Tub Filler



TB100DF

TABLE OF CONTENTS

Thanks for Choosing TOTO!	2
Care and Cleaning.....	2
Before Installation.....	2
Tools You Will Need.....	2
Included Parts.....	3
Warnings.....	3
Installation Procedure	4-5
Warranty	6
Rough-In	17
Spare Parts	18

THANKS FOR CHOOSING TOTO!

The mission of TOTO is to provide the world with healthy, hygienic and more comfortable lifestyles. We design every product with the balance of form and function as a guiding principle. Congratulations on your choice.

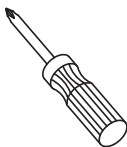
CARE & CLEANING

Your new tub filler is designed for years of trouble-free performance. Keep it looking new by cleaning it periodically with mild soap, rinsing thoroughly with warm water and drying with a clean, soft cloth. Do not use abrasive cleaners, steel wool or harsh chemicals, as these will dull the finish. Failure to follow these instructions may void your warranty.

BEFORE INSTALLATION

- Observe all local plumbing codes.
- Make sure the water supply is shut off.
- Read these instructions carefully to ensure proper installation.
- TOTO reserves the right to update the design of the product without previous warning.
- The floor surface must be completed and leveled before installing the tub filler.

TOOLS YOU WILL NEED



Phillips Screwdriver



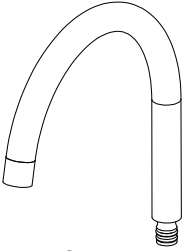



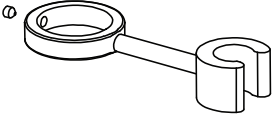

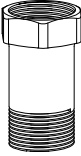
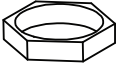
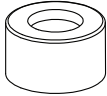

Adjustable Wrench



Drill

INCLUDED PARTS

Check to make sure you have all the pieces shown below:

 <p style="text-align: center;">Spout</p>	 <p style="text-align: center;">Handshower</p>	 <p style="text-align: center;">Tub Filler Assembly</p>
 <p style="text-align: center;">Handshower Hose</p>	 <p style="text-align: center;">Handshower Bracket with Set Screw</p>	 <p style="text-align: center;">Mounting Bracket (2 pieces)</p>
 <p style="text-align: center;">Adapter</p>	 <p style="text-align: center;">Lock Nuts (2 pieces)</p>	 <p style="text-align: center;">Escutcheon (2 pieces)</p>
	 <p style="text-align: center;">Self-Tapping Screws with Anchors (6 pieces each)</p>	

WARNINGS

For safe operation of the valve, please observe the following:

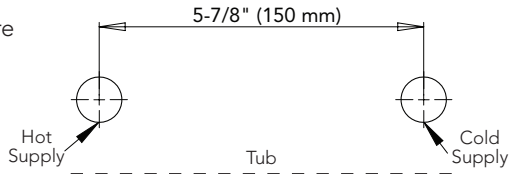
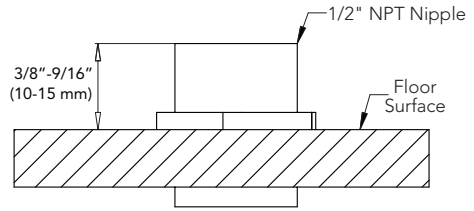
- Recommended Operating pressure:
 - Minimum Pressure.....20 psi (0.14 MPa), dynamic
 - Maximum Pressure.....80 psi (0.55 MPa), static
- Do not solder the connections directly to the valve as damage to the internal components may occur.
- Do not use the product at an ambient temperature below 32°F (0°C).

INSTALLATION PROCEDURE

- 1) Install the hot and cold water supply nipples (1/2" NPT male, not supplied) according to the provided diagram.

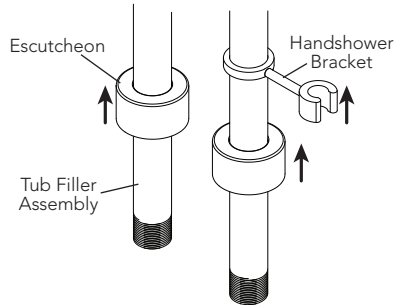
IMPORTANT: Correct positioning of the supply lines is critical to ensure proper installation.

Thoroughly flush all supply lines and shut off the water supply before proceeding with installation.



- 2) Loosen the set screw on the handshower bracket and slide it up the leg of the tub filler assembly, followed by the escutcheons.

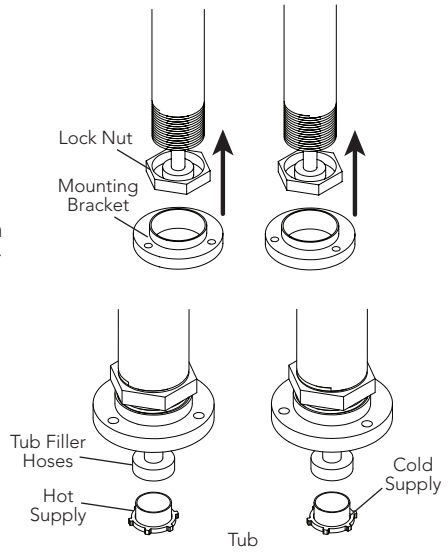
Loosely tighten the set screw to hold the handshower in place during the rest of the assembly.



- 3) Thread a locknut onto each leg of the tub filler assembly until it stops, followed by a mounting bracket.

Connect the hot (red) and cold (blue) tub filler hoses to the correct water supply nipples.

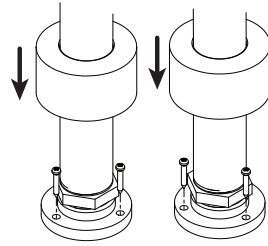
Thread the mounting brackets up or down the filler legs as needed, until the tub filler assembly is level.



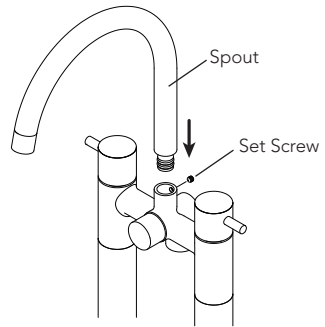
Installation Procedure (continued)

- 4) Secure the mounting brackets to the floor with the included self-tapping screws, using the provided screw anchors if necessary.

Tighten the locknuts against the mounting brackets, then lower the escutcheons over them.



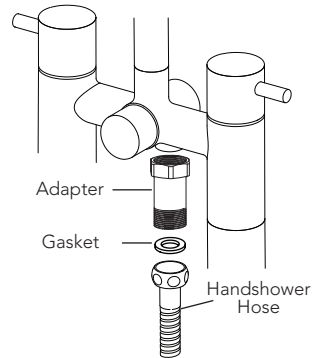
- 5) Loosen the set screw on the top outlet of the tub filler, push the spout firmly into the outlet, and tighten the set screw to secure it.



- 6) Fasten the adapter onto the tub filler diverter.

Place the gasket inside the short nut on the handshower hose and fasten the handshower hose onto the adapter.

Connect the handshower to the free end of the handshower hose.



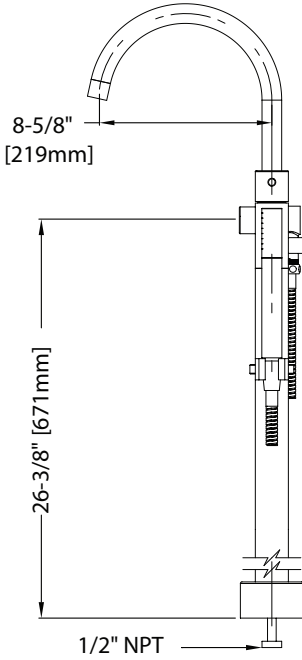
- 7) Turn on water supply and check all connections for leaks. Test the tub filler and the handshower for proper operation.

If the temperature control operates with the cold and hot switched, verify that the supply hoses are connected to the proper supply lines.

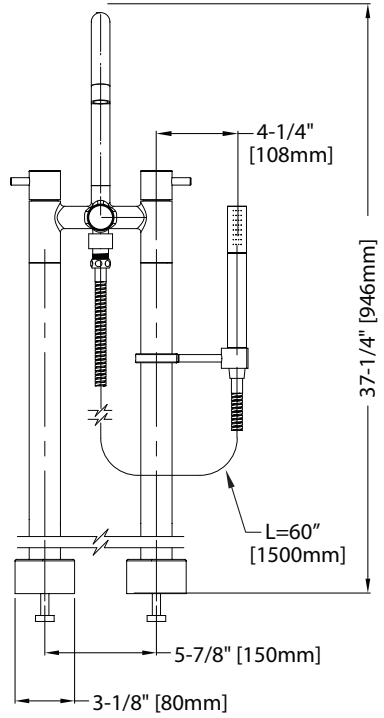
ROUGH-IN DIMENSIONS

TS100DF

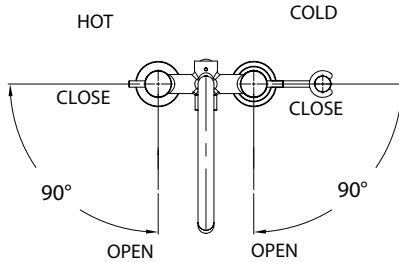
Front View



Side View

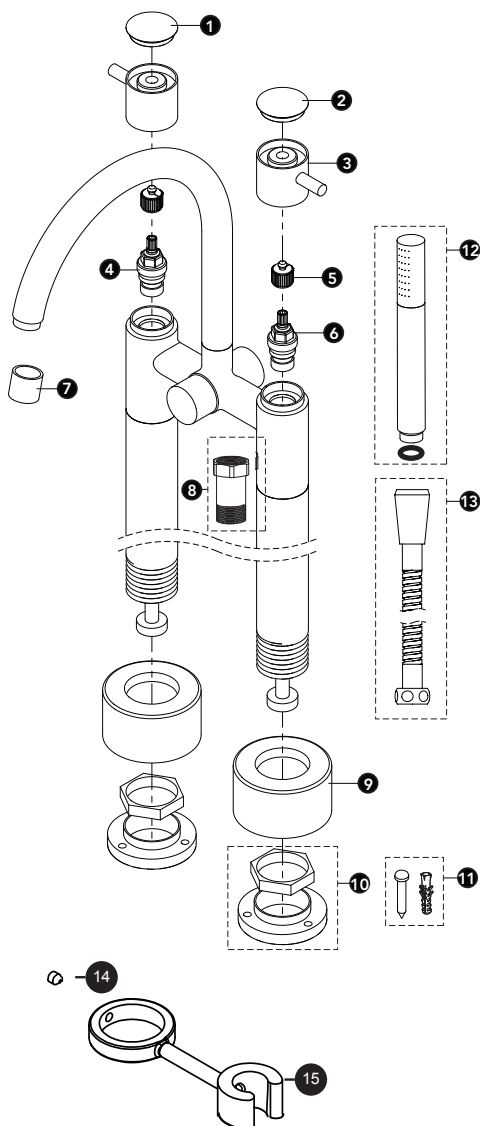


Front View



SPARE PARTS

TS100DF



No.	Description
1	Handle Cap (Hot) *
2	Handle Cap (Cold) *
3	Handle *
4	Cartridge (Hot)
5	Spindle & Screws
6	Cartridge (Cold)
7	Laminar Flow Nozzle *
8	Adapter *
9	Escutcheon *
10	Mounting Bracket & Locknut
11	Self-tapping Screw with Anchor
12	Handshower with O-ring *
13	Handshower Hose *
14	Set Screw
15	Shower Holder Bracket*

* Specify the finish when ordering replacement parts.