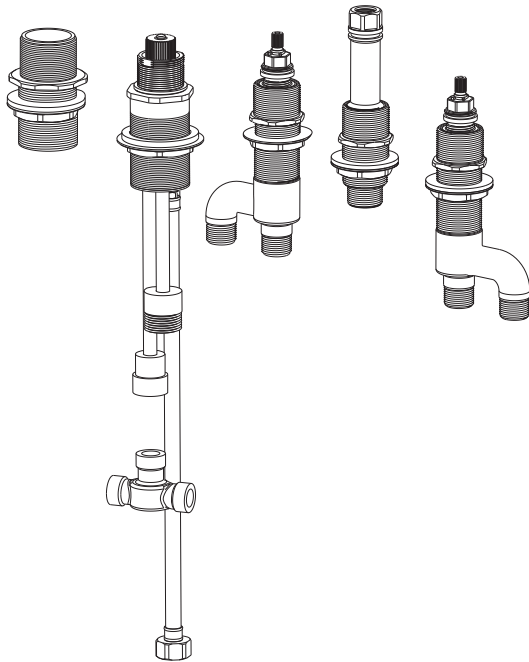


DECK-MOUNT BATH FAUCET, HANDSHOWER AND DIVERTER (VALVE)



TB7FR

TABLE OF CONTENTS

Thanks for Choosing Toto®! 2
 Care And Cleaning 2
 Caution 2
 Tools you will need 3
 Before Installation 3
 Installation Procedure 4
 Rough in 7
 Troubleshooting 8
 Replacement Parts 9
 Warranty 10

THANKS FOR CHOOSING TOTO®!

The mission of TOTO® is to provide the world with healthy, hygienic and more comfortable lifestyles. We design every product with the balance of form and function as a guiding principle. Congratulations on your choice.

CARE AND CLEANING

Your new faucet is designed for years of trouble-free performance. Keep it looking new by cleaning it periodically with mild soap, rinse thoroughly with warm water and dry with a clean, soft cloth. Do not use abrasive cleaners, steel wool or harsh chemicals, as these will dull the finish. Failure to follow these instructions may void your warranty.

CAUTION!

For safe operation of the faucet, please observe the following:

Operating pressure:

 Minimum Pressure.....7psi [0.05MPa] (flowing pressure)

 Maximum Pressure.....108psi [0.75MPa] (non-flowing pressure)

Do not reverse the hot and cold-water inlets

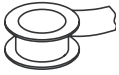
Hot water supply temperature must not exceed 185°F [85°C]

Do not use steam for hot water supply

Do not use the product at ambient temperature below 32°F (0°C).

Do not disassemble the ceramic valve

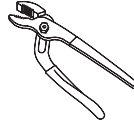
TOOLS YOU WILL NEED



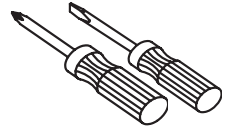
Pipe Tape



Adjustable Wrench




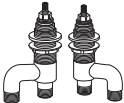
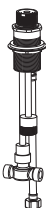

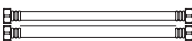



Adjustable Pliers



Screwdrivers

BEFORE INSTALLATION

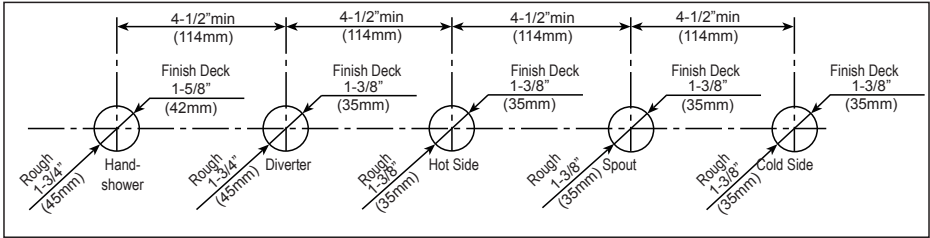
- Observe all local plumbing codes
- Make sure water supply is shut off
- Read these instructions carefully to ensure proper installation
- TOTO® reserves the right to update product design without notice
- Check to make sure you have the following parts indicated below

Main Stem		1 piece
Hot & Cold Valve Body Unit		1 piece each
Diverter Valve		1 piece
Handshower Rough unit		1 piece
Supply Flex Hose		2 pieces
Spout Flex Hose w/ O-ring		1 piece
Plastic Caps		5 pieces
Diverter Valve Tool		1 piece

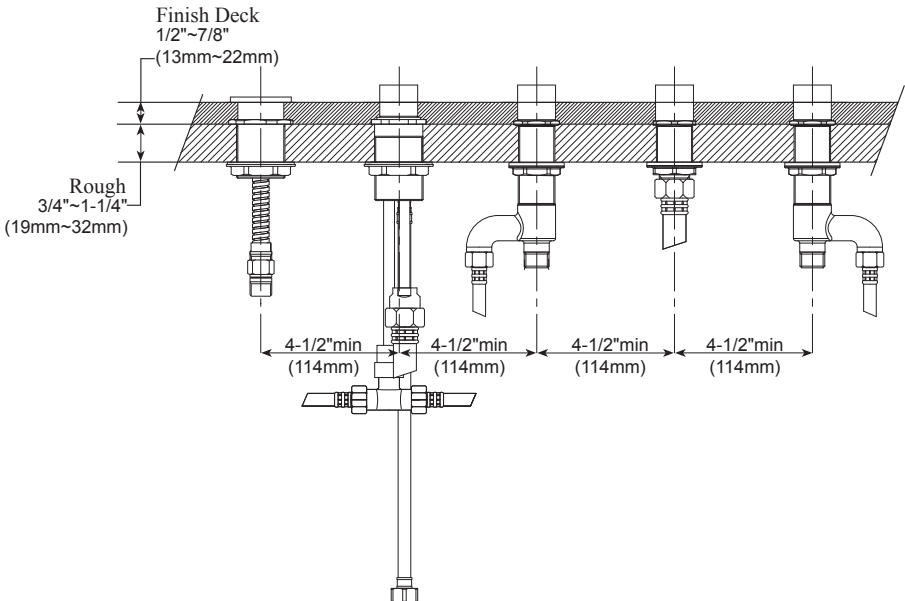
INSTALLATION PROCEDURE

1. Deck Preparation

- Drill holes as specified in diagram.

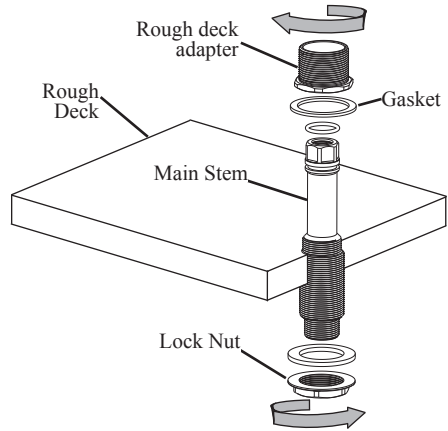


- Make sure finish deck and rough deck meet the following specifications:



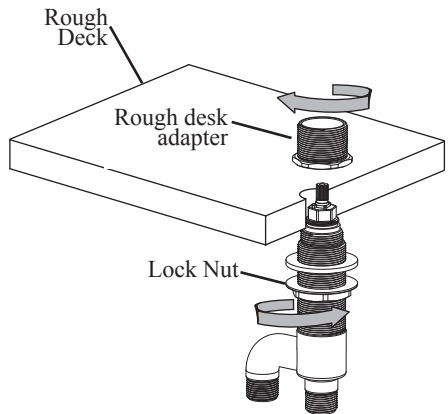
2. Main Stem Installation

- Disassemble main stem unit as shown
- Insert main stem in center hole
- Secure main stem with rough deck adapter & lock nut



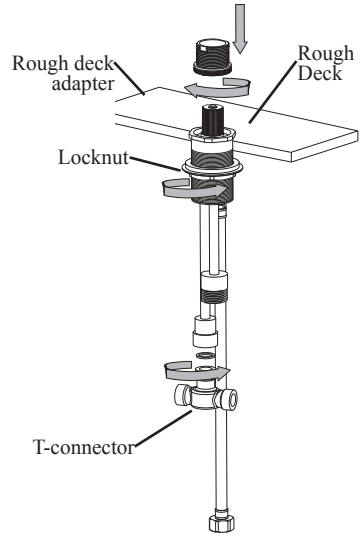
3. Valves Installation

- Install hot valve on left side and cold valve on right side
- Disassemble rough deck adapter from valve unit
- Bring the lock nut all the way down
- Insert valve unit in order as shown from under deck into side hole, screw in rough deck adapter until it bottoms out
- Secure valve unit with lock nut.



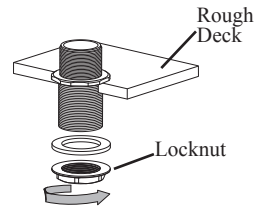
4. Diverter Installation

- Disassemble lock nut and T-connector from valve unit
- Insert valve unit from above deck into hole
- Secure the valve unit by tightening the rough deck adapter and locknut
- Reassemble T-connector onto valve



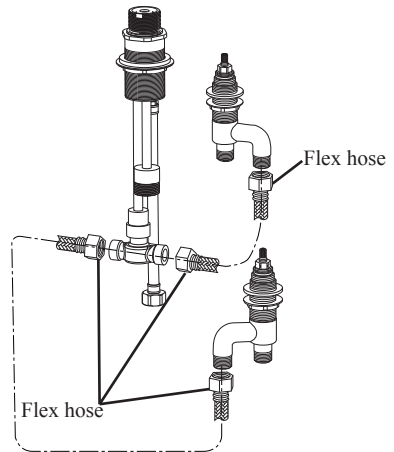
5. Handshower Installation

- Disassemble lock nut from handshower unit
- Insert handshower unit from above deck into hole
- Secure the handshower unit by tightening the locknut

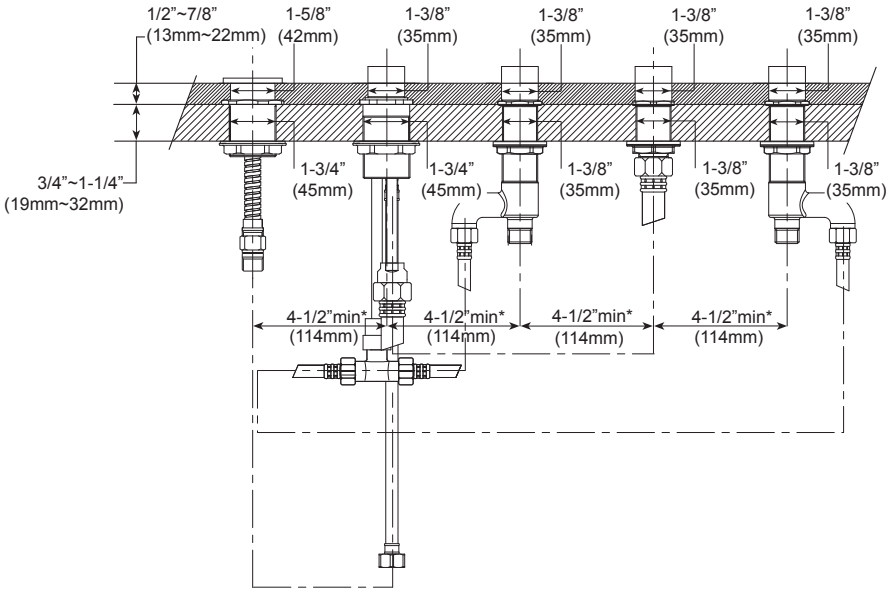


6. Flex hose Installation

- Connect flex hose as shown in the diagram



ROUGH IN

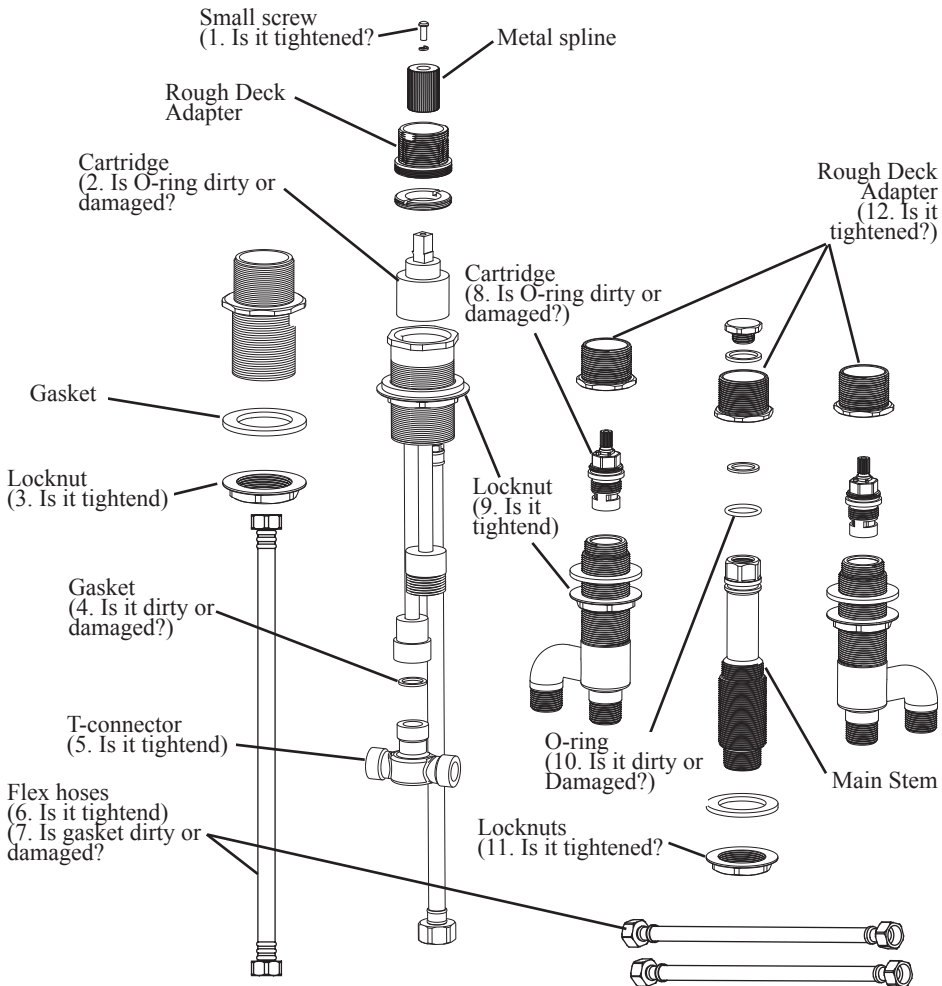


Note: * indicates suggested dimension

TROUBLESHOOTING

- If you have followed the instructions carefully and your faucet still does not work properly, take these corrective action steps

Problem	Area to Inspect
Leakage	2, 4, 5, 6, 7, 8, 10
Low Flow	2, 4, 7, 8
Loose Handle	1, 3, 9, 12
Loose Spout	11, 12



REPLACEMENT PARTS

- | | | | | | |
|----|---------|---------------------------------|----|---------|--------------------------|
| 1 | THP4235 | HANDSHOWER ROUGH DECK ADAPTER | 12 | THP4109 | VALVE MOUNTING HARDWARE |
| 2 | THP4226 | GASKET (HANDSHOWER & DIVERTER) | 13 | THP4042 | GASKET |
| 3 | THP4227 | LOCKNUT (HANDSHOWER & DIVERTER) | 14 | THP4043 | VALVE UNIT |
| | | | 15 | THP4021 | CARTRIDGE |
| 4 | THP4228 | FLEX HOSE (SPOUT) | 16 | THP4049 | FLEX HOSES (2) |
| 5 | THP4229 | GASKET (T-CONNECTOR) | 17 | THP4047 | SHANK MOUNTING HARDWARE |
| 6 | THP4230 | T-CONNECTOR | 18 | THP4110 | SHANK ASSEMBLY |
| 7 | THP4231 | ROUGH DECK ADAPTER | 19 | THP4043 | TB7F: VALVE UNIT |
| 8 | THP4232 | VALVE ADAPTER | | THP4048 | TB7F1: VALVE UNIT (COLD) |
| 9 | THP4233 | SCREW & WASHER (DIVERTER) | 20 | THP4021 | TB7F: CARTRIDGE |
| 10 | THP4236 | SPLINE | | THP4040 | TB7F1: CARTRIDGE (COLD) |
| 11 | THP4234 | CARTRIDGE (DIVERTER) | | | |

