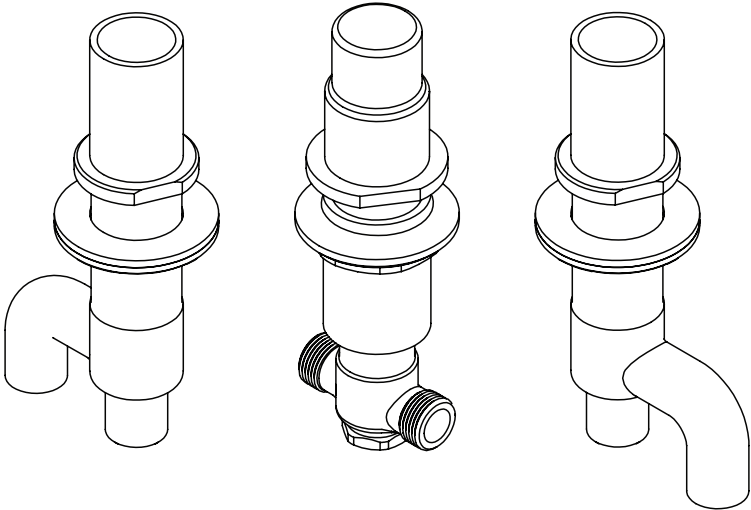


Deck-Mounted Bath Faucet Valve



TB6TR

TABLE OF CONTENTS

Thanks for Choosing TOTO®!.....	2
Before Installation.....	2
Common Tools Needed.....	2
Included Parts	3
Warnings.....	3
Care & Cleaning.....	3
Installation Procedure.....	4-5
Warranty.....	6
Rough-In Dimensions	17
Spare Parts.....	18-19

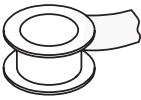
THANKS FOR CHOOSING TOTO!

The mission of TOTO is to provide the world with healthy, hygienic and more comfortable lifestyles. We design every product with the balance of form and function as a guiding principle. Congratulations on your choice.

BEFORE INSTALLATION

- Observe all local plumbing codes.
- Make sure the water supply is shut off.
- Read these instructions carefully to ensure proper installation.
- This faucet is designed for deck-mounted application only.
 - Rough Deck Thickness.....1-1/4" (32mm) Max.
 - Finished Deck Thickness.....1/2" (12.7mm) Min. to 7/8" (22mm) Max.
- Provide an access panel to the valves and hose connections from the underside of the deck.
- TOTO reserves the right to update the product design without notice.

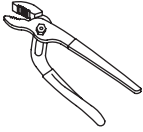
COMMON TOOLS NEEDED



Pipe Tape



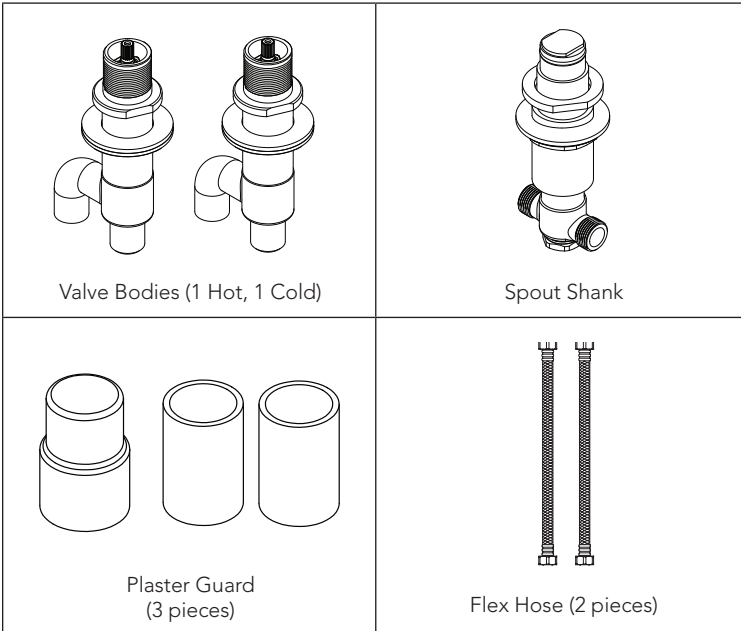
Adjustable Wrench



Adjustable Pliers

INCLUDED PARTS

Check to make sure that all these parts were included in your packaging:



WARNINGS

For safe operation of the valve, please observe the following:

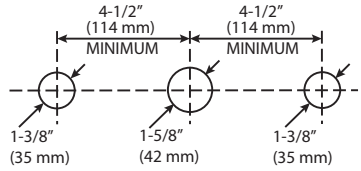
- Recommended Operating pressure:
 - Minimum Pressure.....20 psi (0.14 MPa), dynamic
 - Maximum Pressure.....80 psi (0.55 MPa), static
- The hot water supply pressure should not exceed 185°F (85°C).
- Do not use steam for the hot water supply.
- Do not use the product at an ambient temperature below 32°F (0°C).

CARE & CLEANING

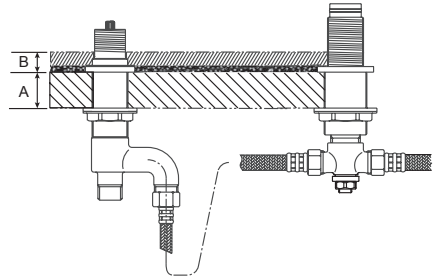
Your new valve is designed for years of trouble-free performance. Keep it looking new by cleaning it periodically with mild soap, rinsing thoroughly with warm water and drying with a clean, soft cloth. Do not use abrasive cleaners, steel wool or harsh chemicals, as these will dull the finish. Failure to follow these instructions may void your warranty.

INSTALLATION PROCEDURE

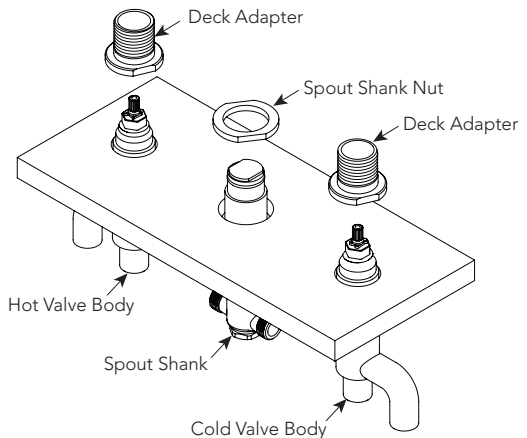
- 1) Drill holes as specified in the illustration to the right. Make sure the rough deck and selected finished deck materials meet the following specifications:



A (Rough Deck Thickness)	B (Finished Deck Thickness)
1-1/4" (32mm) Max.	1/2" - 7/8" (12.7mm - 22mm)

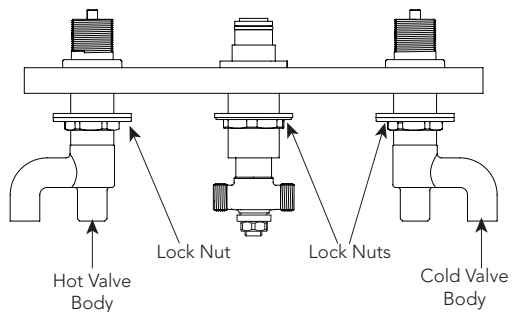


- 2) Insert the spout shank through the center hole from the underside of the deck. Thread the spout shank nut onto the spout shank from above until it stops. Tighten the lock nut below the deck to secure.



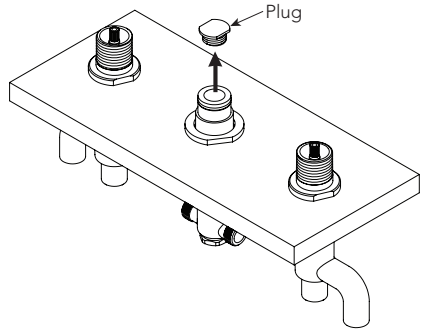
Insert the valve body from the underside of the deck. Thread the deck adapter onto the valve body from above until it stops. Tighten the lock nut below the deck to secure it.

IMPORTANT! DO NOT OVERTIGHTEN. Overtightening may damage the product and cause personal injury and/or property damage.



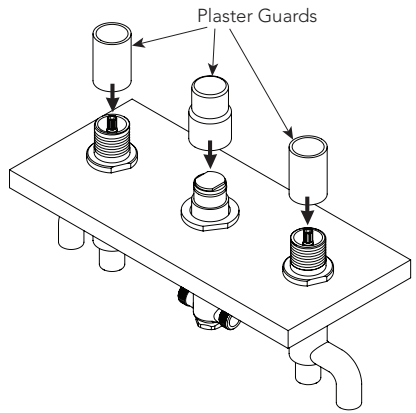
Installation Procedure (continued)

- 3) Remove the plug from the top of the spout shank, wrap it with pipe tape, and reinstall it.

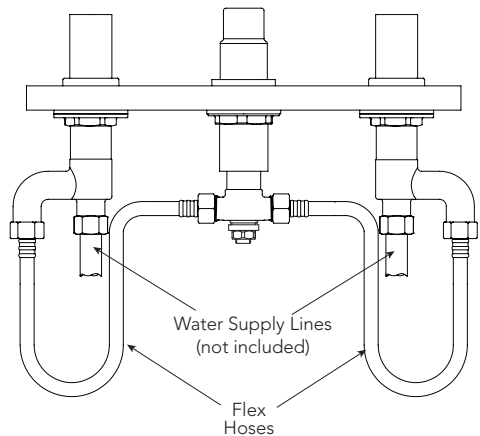


- 4) Install the plaster guards on the valve bodies and spout shank.

IMPORTANT! Do not remove them until the deck has been finished and the tub spout is ready to be installed.

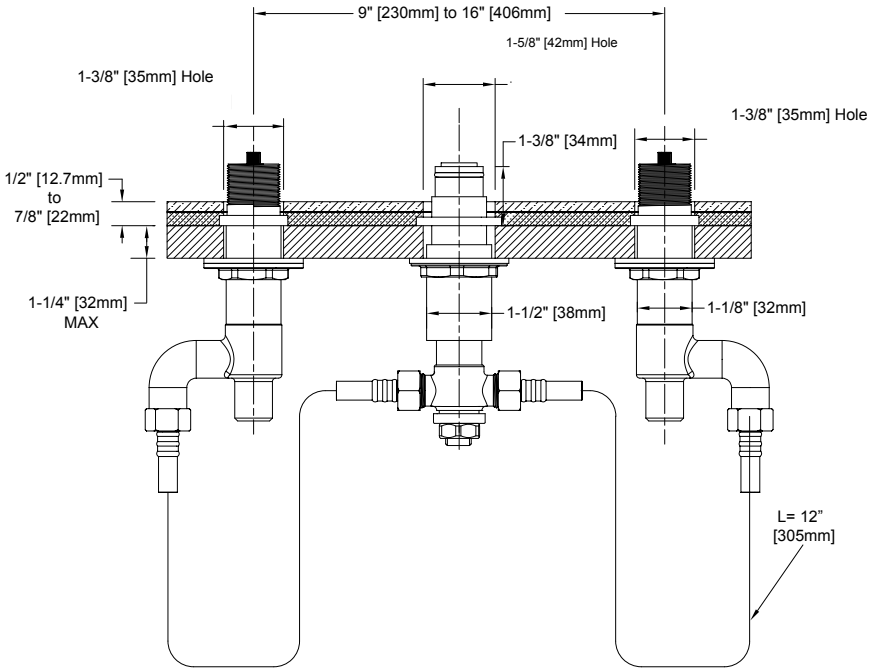


- 5) Connect the valve bodies to the center shank with the included flex hoses. Connect the water supply lines (not included) to the valve bodies.



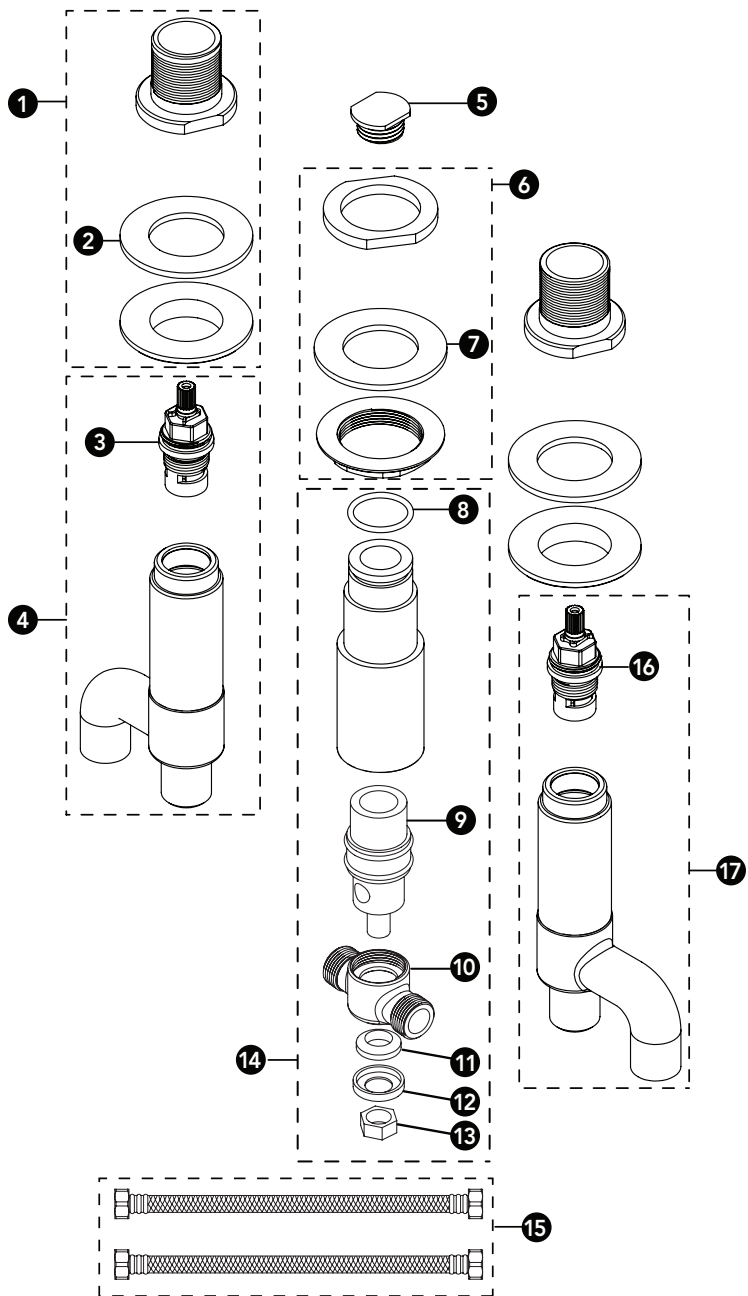
ROUGH-IN DIMENSIONS

TB6TR



SPARE PARTS

TB6TR



SPARE PARTS

No.	Description
1	Valve Mounting Hardware
2	Gasket
3	Cartridge (Hot)
4	Valve Body Assembly (Hot)
5	Plug
6	Shank Mounting Hardware
7	Gasket
8	O-ring

No.	Description
9	T-connection Adapter
10	T-connection
11	Rubber Gasket
12	Metal Washer
13	Hex Nut
14	Shank Assembly
15	Flex Hoses
16	Cartridge (Cold)
17	Valve Body Assembly (Cold)