

CST442

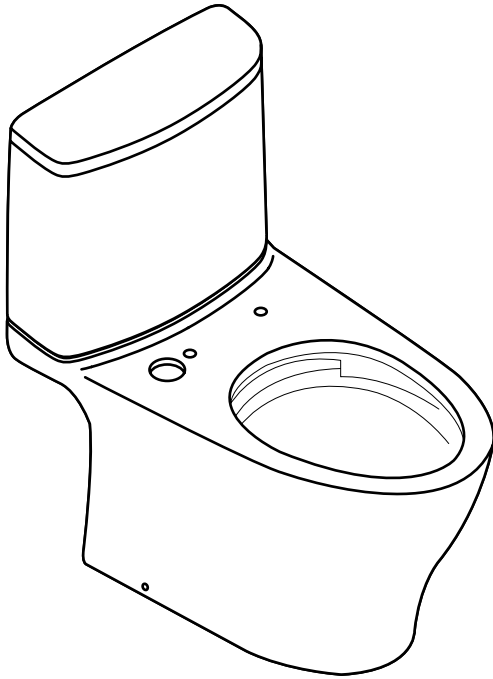


TABLE OF CONTENTS

Thanks for Choosing TOTO!2	Installation Procedure 4
Common Tools Needed.....2	CEFIONTECT® Cleaning Instructions ... 7
Before Installation.....2	Maintenance Instructions..... 8
Included Parts3	Warranty 10
Care and Cleaning.....3	Rough-In Dimensions 29

THANKS FOR CHOOSING TOTO!

The mission of TOTO is to provide the world with healthy, hygienic and more comfortable lifestyles. We design every product with the balance of form and function as a guiding principle. Congratulations on your choice.

COMMON TOOLS NEEDED

- | | |
|--|--|
| <ul style="list-style-type: none"> • 12" pipe wrench • 10" adjustable wrench • Carpenter's Level • Tape Measure • Plier | <ul style="list-style-type: none"> • Screwdriver • Putty Knife • Drill • 1¹/₆₄" drill bit for wood floor installation • 5¹/₁₆" drill bit for concrete/tile installation |
|--|--|

MATERIALS REQUIRED:

- | | |
|---|--|
| <ul style="list-style-type: none"> • Flexible Supply Tube / Connector • Supply Stop Valve | <ul style="list-style-type: none"> • Mounting (T) Bolts & Nuts (2pc) • Wax Ring / Seal |
|---|--|

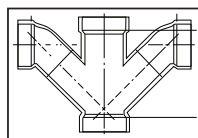
BEFORE INSTALLATION

- Read instruction manual before installation.
- Maintenance and warranty information included in manual, DO NOT DISCARD.
- Locate water supply and drain pipe.

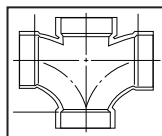
IMPORTANT!

For back-to-back installations, Tornado flushing systems require a WYE fitting incorporated into the toilet drain system. Please contact your builer/contractor for additional information prior to installation.

- Verify enough space is available for installation and unobstructed operation of equipment (doors opening/closing, etc...). Failure to do this beforehand may result in incorrect product installation and possible malfunction.
- Thoroughly flush the supply pipes of dirt and debris. Proceed to install the supply hose to the tank and make sure you do not damage the end connection of the hose.
- After installation, verify water and electricity are working properly.
- Gaps between the discharge pipe and the floor should be filled with mold-resistant silicone-based seal material (Mediseal).
- Minimum required water pressure (flowing): 7 PSI at 2.64 Gal/min (0.05 MPa at 10 L/min). Maximum water pressure (static): 108 PSI (0.75 MPa).



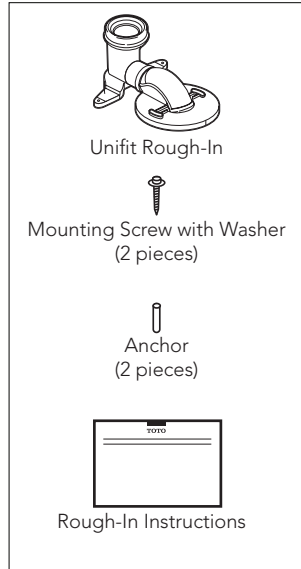
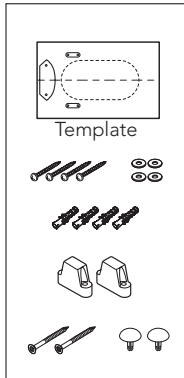
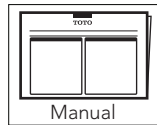
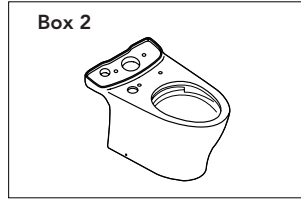
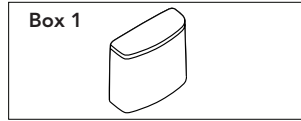
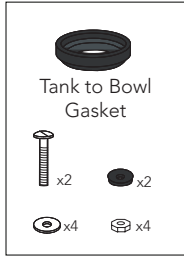
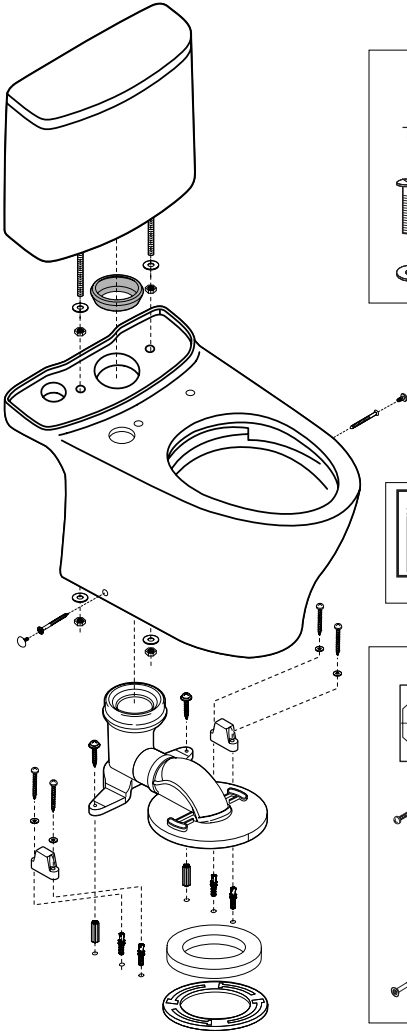
Double Combination WYE / 1/8 Bend
YES



Double Sanitary Tee / Sanitary Cross
NO

INCLUDED PARTS AND INSTALLATION DIAGRAM

Please verify that all of the parts are included in the package:



ENGLISH

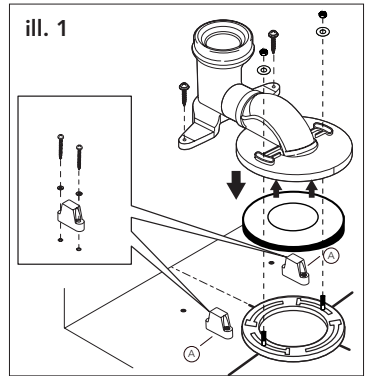
CARE AND CLEANING

WARNING!
DO NOT USE IN-TANK BOWL CLEANERS.

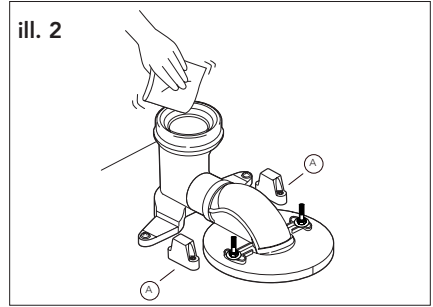
The use of high concentration of chlorine or chlorine-related products can seriously damage fittings in the tank. This damage can cause leakage and serious property damage. TOTO shall not be responsible or liable for any tank fitting failure or damage caused by the use of in-tank bowl cleaners.

INSTALLATION PROCEDURE

1. Open the Unifit Rough-In packaging. Follow the Unifit Rough-In Installation instruction.
2. Place the template into position and follow its instructions to prepare for installing the toilet bowl.

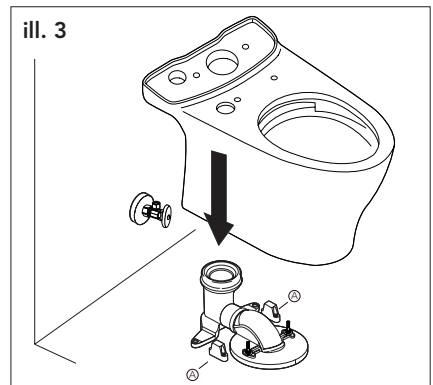


NOTICE Do not move the Unifit Rough-In on the Floor Flange after wax seal is set. If this notice is disregarded, discard the wax ring and replace with new wax ring.



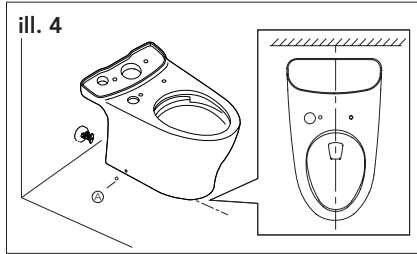
3. Place the toilet bowl over the Unifit Rough-In and align the holes on the side of the toilet to the lines marked "A" on the floor.

NOTICE Insert the toilet bowl all the way into position. If this notice is disregarded, leakage may result.

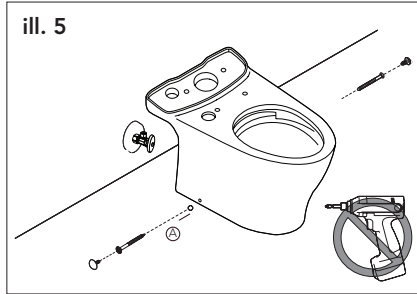


INSTALLATION PROCEDURE

- Align the toilet perpendicular to the back wall and parallel to side walls; it should not sit crooked or diagonal (see illustration 4).

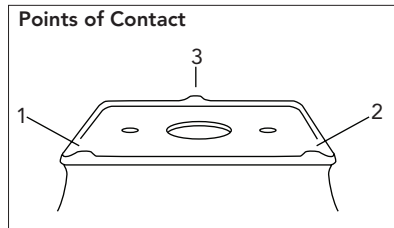


- Make sure it's aligned before securing.
- Install the side screws to the mounting blocks. Cover the screw head with the provided screw caps (see illustration 5).



NOTE: THREE POINTS OF CONTACT

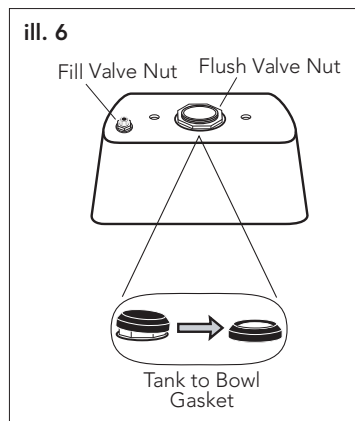
The toilet bowl has three points of contact, which will actually contact the bottom of the toilet tank when properly installed. The location of these points can be seen on the bowl at the tank receiving area. The three points are front left (1), front right (2), and back center (3). Recall these three points during the Toilet Tank installation.



- Place the tank upside down onto some padding. Inspect the smaller fill valve nut and larger flush valve nut for a secure connection (see illustration 6).

Try to tighten the nuts with your hands. If loose, tighten the nut hand tight and an additional 1/4 turn for the smaller fill valve nut and an additional 1/2 turn for the larger flush valve nut. Place the tank-to-bowl gasket onto the flush valve nut.

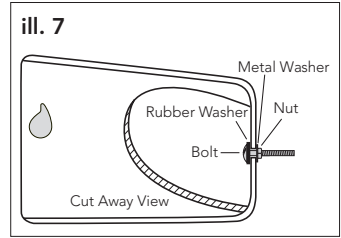
While pressing down, spread the gasket over the nut until the gasket touches the bottom of the tank. A slight gap between the tank bottom and the gasket is allowable.



INSTALLATION PROCEDURE

8. Lay the tank down on its back. Place a rubber washer onto a brass bolt (see illustration 7).

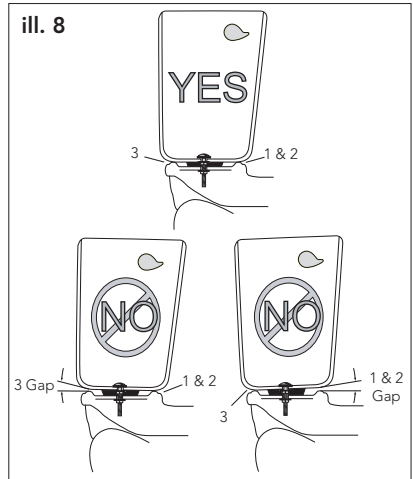
Reach inside the tank and position the bolt through one of the holes in the bottom of the tank. On the outside of the tank, place a metal washer and nut onto the bolt. Hold the bolt centered in the hole and tighten the nut finger tight. Turn the nut an additional 1/2 turn with a wrench. Repeat this process for the remaining hole in the tank.



Pick up the tank and carefully guide the brass bolts to align the tank with the bowl. Attach a metal washer and the long nut to each bolt. Tighten the nuts finger tight and inspect that the tank is level (see Illustration 8).

Once level, tighten the bolts equally until the tank makes **THREE POINTS OF CONTACT** with the bowl.

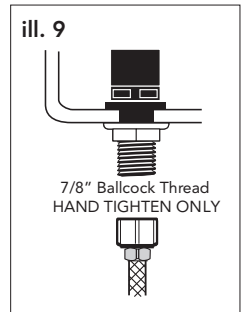
9. Flush the water supply line for a few seconds to remove any debris that may enter the new fill valve. (For new home constructions and/or additions, flush the water supply line for more than a minute to help remove any residual PVC adhesives, solder flux, and/ or pipe sealants that were used for the new plumbing.)



Connect the water supply line to the fill valve threads as seen at the bottom of toilet tank (see illustration 9). Tighten this connection finger tight.

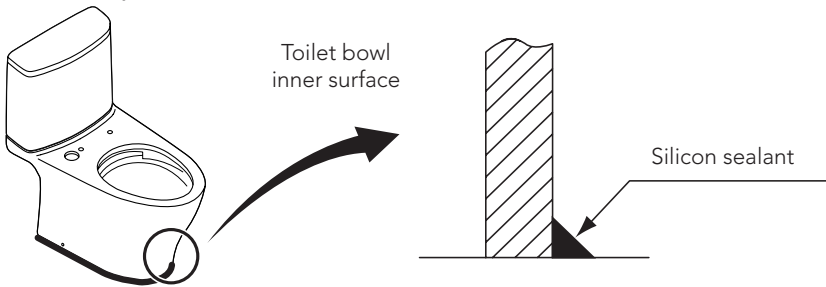
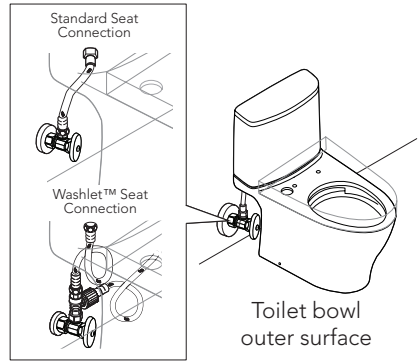
CAUTION: Avoid using a wrench to tighten the connection as you may damage the plastic threads and/or cause the fill valve to rotate inside the tank.

NOTE: The water supply pressure should be 20 to 80 psi static.



INSTALLATION PROCEDURE

- No ballcock / fill valve adjustments are needed. The water will automatically stop at proper level. Flush the toilet several times. Check the valve for proper operation. Make sure that chain is not tangled and that the flapper arm is in its proper position.
- Install the toilet tank lid onto the toilet tank top.
- When installing the washlet main unit or standard toilet seat main unit, follow the instructions on the Installation Guide.
- Once the installation is completed, proceed to verify the toilet unit for leaks.



CEFIONTECT® CLEANING INSTRUCTIONS



WHAT IS CEFIONTECT®?

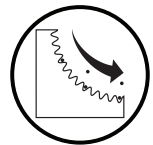
CEFIONTECT® is TOTO's super-smooth permanent glaze that prevents debris from sticking to surfaces. Products with the letter "G" in the number have the CEFIONTECT® glaze. This glaze, along with regular cleaning, will help keep your TOTO product in pristine condition.

NOTE:

For best results to keep your TOTO product with CEFIONTECT® clean:

- Lavatory: Use a mild dish detergent with a clean, soft cloth.
- Toilet: Use a gel based cleaner with a soft bristled-plastic brush.
- **Don't use** cleaners, polishing powders or detergents that have gritty or coarse particles.
- **Don't use** bleach, chemical thinners or products that have acid or alkaline detergents listed as ingredients.
- **Don't use** metal scrub brushes or steel wool.

Following these instructions will ensure that your TOTO product with the CEFIONTECT® glaze will always stay intact, keeping your product like new for years to come!



No CEFIONTECT®



With CEFIONTECT®



MAINTENANCE INSTRUCTIONS

Fill Valve Replacement Procedure

1. Shut off the water supply to the toilet.
2. Flush toilet and remove remaining water from tank with a sponge.
3. Remove the water supply connection at the fill valve.
4. Remove old fill valve and use damp sponge to clean inside tank.
5. Place new fill valve inside tank.
6. Thread mounting nut onto fill valve shank and tighten the nut.

NOTE: Do not over-tighten. Be sure to install fill valve in a position that does not interfere with the trip lever operation.

7. Connect water supply to fill valve shank and hand-tighten only.

NOTE: Do not overtighten. These are plastic parts. Never use pipe dope on any water supply connection.

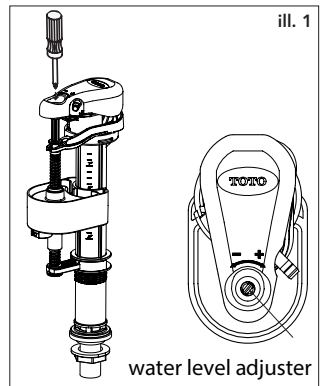
8. Attach refill tube to fill valve nipple and clip other end of refill tube to the overflow pipe.
9. Turn water supply ON and check for leaks outside the tank.

NOTE: As water fills the tank, water is also directed into the overflow tube via the refill tube. This additional flow of water is critical to refilling your toilet's bowl. Once the water stops filling the tank, some residual drops of water may drip from the fill valve. This is NORMAL as these drops will subside.

ADJUSTING THE WATER LEVEL

Refer to the water level line stamp inside the tank.

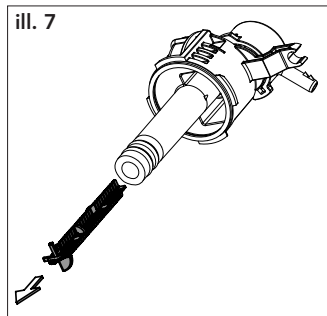
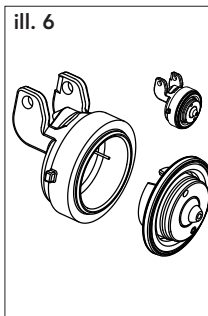
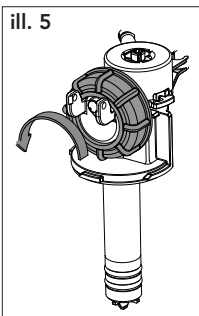
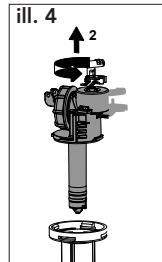
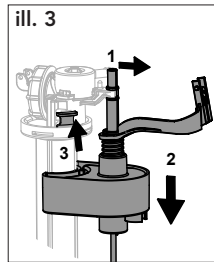
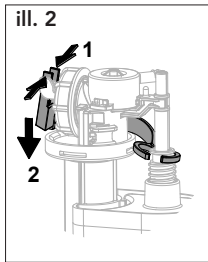
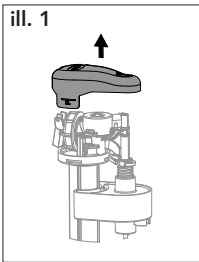
1. The water level adjustment is located in the top end of the fill valve. Use a flathead screwdriver to make adjustments:
 - To raise the water level: turn the screwdriver clockwise, or towards the '+' indicator.
 - To lower the water level: turn the screwdriver counter-clockwise, or towards the '-' indicator.
2. Flush after each adjustment to check the water level. When satisfied with the water level, flush once more to verify.



SERVICING THE FILL VALVE

NOTE: Due to water conditions in your area, the strainer may require periodic cleaning. An indication that the strainer requires service can be seen in a delayed fill cycle, intermittent fill cycle, or inadequate amount of water flow from the refill tube.

1. Snap off the top cover by pulling from under the tab (see illustration 1).
2. Pinch the tabs of the lever arm to allow its removal (see illustration 2).
3. Snap off the adjustable rod from the bracket (1) allowing the unit to slide to the bottom and remove the retainer tab by pulling as the arrow indicates (3) (see illustration 3).
4. Grab hold of the valve unit, twist 1/4 turn counterclockwise and pull the unit out (see illustration 4).
5. Unscrew nut of the diaphragm housing (see illustration 5).
6. Remove the diaphragm from its housing by carefully pulling the edge of the diaphragm (see illustration 6). Note the position of the diaphragm while removing.
7. Remove the strainer from the tube with needle nose pliers (see illustration 7). Use twisting motion while pulling to help with removal.
8. Rinse all parts under running water to clear any debris, residues or films. Reinstall all parts in reverse order. Turn the water ON and check for leaks and operation.



ROUGH-IN DIMENSIONS

