

MS604114*
MS634114*
MS814224*
MS853113*
MS854114*
MS856124*

MS856234*
MS863113*
MS864114*
MS924154*
CST604*
CST634*



TABLE OF CONTENTS

Thanks for Choosing TOTO!.....	2
Before Installation	2
Common Tools Needed	2
Included Parts	2
Care and Cleaning	2
Before Installation	3
Installation Procedure	3
Maintenance Instructions	4
CEFIONTECT® Cleaning Instructions.....	4
Warranty	8
Rough-In Dimensions	23
Replacement Parts	24

THANKS FOR USING TOTO!

The mission of TOTO is to provide the world with healthy, hygienic and more comfortable lifestyles. We design every product with the balance of form and function as a guiding principle. Congratulations on your choice.

COMMON TOOLS NEEDED

- | | |
|--|---|
| <ul style="list-style-type: none"> • 10" pipe wrench • Carpenter's Level • Tape Measure • Pliers | <ul style="list-style-type: none"> • Screwdriver • Putty Knife • Hacksaw |
|--|---|

MATERIALS REQUIRED:

- | | |
|---|--|
| <ul style="list-style-type: none"> • Flexible Supply Tube / Connector • Supply Stop Valve | <ul style="list-style-type: none"> • Mounting (T) Bolts & Nuts (2pc) • Wax Ring / Seal |
|---|--|

INCLUDED PARTS

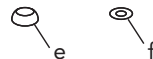
Check to make sure you have all these parts from the package:



China bowl



Toilet Seat Set



a. Caps (plastic) - 2 b. Base (plastic) - 2

CARE AND CLEANING

WARNING!

DO NOT USE IN-TANK BOWL CLEANERS.

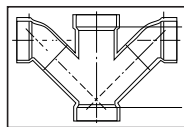
The use of high concentration of chlorine or chlorine-related products can seriously damage fittings in the tank. This damage can cause leakage and property damage. TOTO shall not be responsible or liable for any tank fitting failure or damage caused by the use of in-tank bowl cleaners.

BEFORE INSTALLATION

- Read these instructions thoroughly before beginning work. Please leave instructions for customers.
- These instruction contain maintenance and warranty information.
- If necessary, remove the existing toilet.

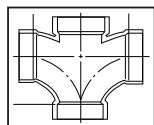
IMPORTANT!

Due to the powerful performance of our Cyclone, G-Max, E-Max and Power Gravity flushing systems, they are not specified for back-to-back installations. The only means of installing these toilets in a back-to-back situation is when the toilet drain connections incorporate a WYE fitting. Please contact your builder or contractor prior to this installation.



Double Combination WYE / 1/8 Bend

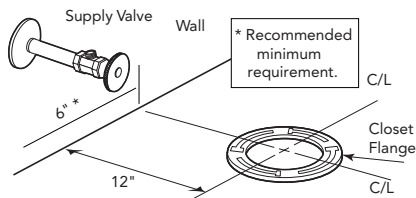
YES



Double Sanitary Tee / Sanitary Cross

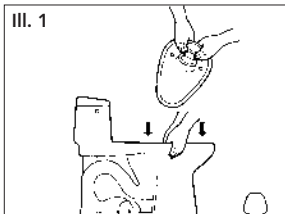
NO

In order for your new TOTO toilet to fit correctly, check the dimensions below:

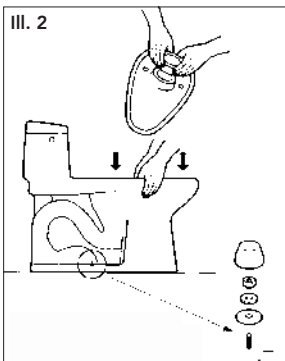


INSTALLATION PROCEDURE

1) Clean any debris out of the closet flange, then install the mounting bolts into the slots of the flange (see Illustration 1). The bolt should be inserted into the slot with its head down and threaded shank pointed upward.



2) Carefully turn the toilet upside down on some padding. Firmly press a new wax seal (not supplied) onto the circular recess around the outlet opening (see Ill. 2). Turn the toilet upright and gently lower it into position over closet flange & bolts. With the toilet properly aligned, press down firmly on both sides of toilet rim to seat wax seal.



CAUTION: Do not move toilet after the wax seal is set.

3) Insert the cap base, washer and thread nuts onto the bolts and hand tighten. Then tighten the bolts an additional 1/2 turn. Install the bolt caps.

NOTE: check that cap does not fit properly, check that cap base has the correct side up indicated by THIS END UP (THIS PART UP). Or check for interference of the mounting bolt with the cap. Carefully cut the bolt length to allow the cap to fit.

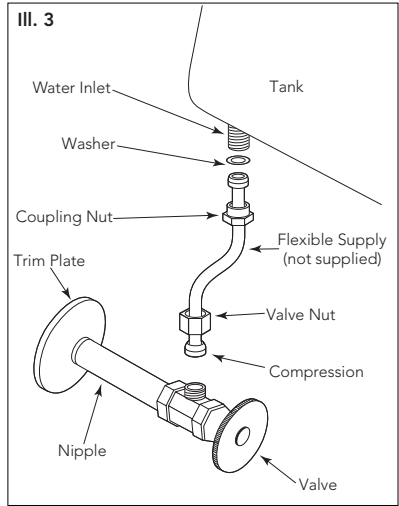
WARNING! Do not over-tighten the nuts. Damage to china or plastic parts may result.

INSTALLATION PROCEDURE

- 4) Flush water through the flexible supply (not supplied) prior to connection at ballcock/fill valve. Run water into a bucket or similar catch basin until all debris/minerals have cleared the flexible supply, to ensure that the fill valve does not become contaminated. Connect the flexible supply to the ballcock/fill valve shank using a flexible chrome-copper tube connector or equivalent (see Ill. 3).

CAUTION: Do not over-tighten the nut at the fill valve.

Open the supply stop, checking for leakage. Slightly re-tighten if necessary. The water supply pressure should be 20 to 80 psi static. (Trim Plate, Nipple, Valve & Flexible Supply - not supplied.)



- 5) **NOTE:** No ballcock / fill valve adjustments are needed. The water will automatically stop at proper level.

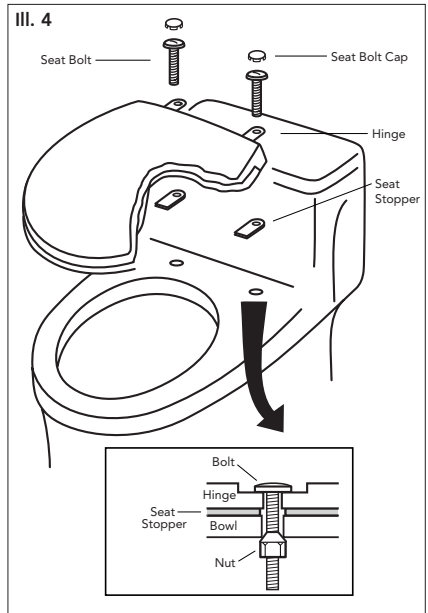
Flush the toilet several times. Check flapper valve for proper operation. Make sure that chain is not tangled and flapper arm is in its proper position.

- 6) Install the toilet tank lid onto the toilet tank top.

- 7) Install the toilet seat onto the toilet bowl (see Ill. 4). (Top Mount Bolt Set is included with the bowl). Insert the rubber bushing nuts into the bowl seat holes.

NOTE: Remove the existing seat if necessary.

Place the seat on the bowl and rotate the hinge unit into place while holding seat down on the bowl. Fasten and tighten the bolt from the top with a screwdriver. Replace the bolt cap and the lower lid (if necessary).



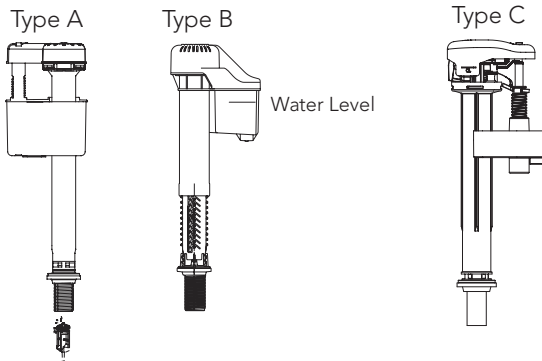
MAINTENANCE INSTRUCTIONS

Replacing the Fill Valve

- 1) Shut off the water supply to the toilet.
- 2) Flush toilet and remove remaining water from tank with a sponge.
- 3) Remove the water supply connection at the fill valve.
- 4) Remove old fill valve and use damp sponge to clean hole in tank.
- 5) Place new fill valve inside tank hole.
- 6) Thread mounting nut onto fill valve shank and tighten the nut.
NOTE: Do not over-tighten. Be sure to install fill valve in a position that does not interfere with the trip lever operation.
- 7) Connect water supply to fill valve shank and hand-tighten only.
NOTE: Do not overtighten. These are plastic parts. Never use pipe dope on any water supply connection.
- 8) Attach refill tube to fill valve nipple and clip other end of refill tube to the overflow pipe.
- 9) Turn water supply ON and check for leaks outside the tank.
NOTE: As water fills the tank, water is also directed into the overflow tube via the refill tube. This additional flow of water is critical to refilling your toilet's bowl. Once the water stops filling the tank, some residual drops of water may drip from the fill valve. This is NORMAL as these drops will subside.

Water Level Adjustment

Depending on the manufacturing plant, you may have one of the following fill valves:

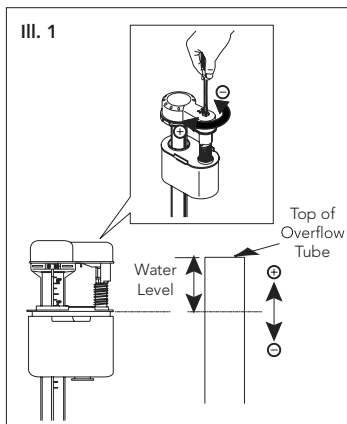


For Type A and Type C Fill Valve:

Refer to the water level (WL) setting marked on the inner wall of the tank. Allow the water to fill the tank. Turn the adjustment screw clockwise in the (+) direction to increase the water level height (see Illustration 1). Turn the adjustment screw counter-clockwise in the (-) direction to decrease the water level height. Flush the toilet to verify the correct water level. Adjust as necessary.

For Type B Fill Valve:

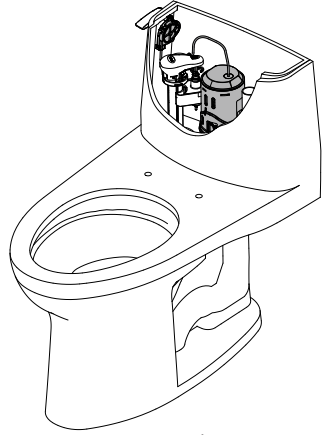
There are no water level adjustments. The fill valve has been preset at the factory.



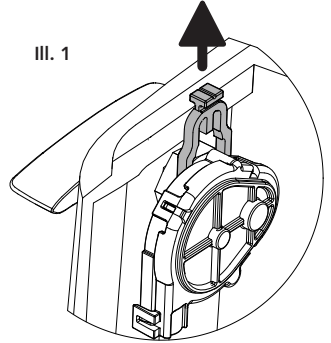
MAINTENANCE INSTRUCTIONS

Replacing the Flush Valve (CST604CUF* & CST814CUF* Models)

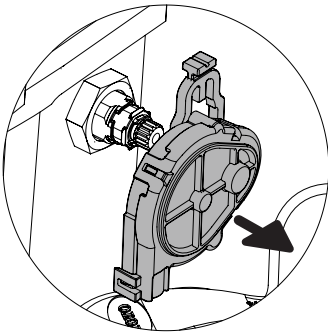
- 1) Turn off water supply and flush the toilet. Remove the remaining water from tank with a sponge.
- 2) Remove the tank lid and place it upside down on a clean surface.
- 3) Pull the clip on top of trip lever gear box as shown. (see III.1)
- 4) Pull gear box away and set on the side as shown. (see III. 2).
- 5) Rotate and pull up on the flush tower to remove it. (see III. 3).
- 6) Remove the grey rubber seal gasket and rinse under running water to clean. (see III. 4).
- 7) Place the gasket back on the flush tower.
- 8) Align and place the flush tower into housing and gently press to snap and to lock into place.
- 9) Replace the trip lever gear box and push down on lever to lock it in place.
- 10) Carefully install the tank lid back on the tank.
- 11) Flush the toilet several times making sure the trip lever operates normally.
- 12) Check the water level in the tank and leak.



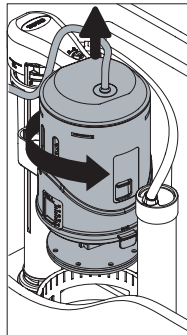
III. 1



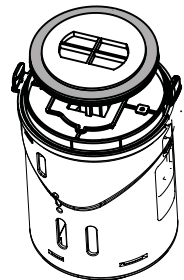
III. 2



III. 3



III. 4

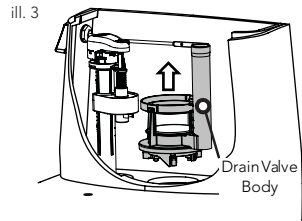
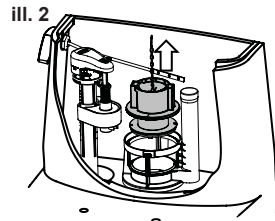
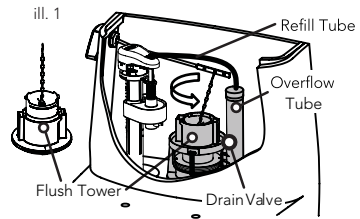


* denotes other options

MAINTENANCE INSTRUCTIONS

Replacing the Drain Valve

- 1) Shut off the water supply.
- 2) Flush the toilet to remove the water inside the tank.
- 3) Remove the tank lid and place somewhere safe.
NOTE: Before removing anything from the tank, note the placement of the drain valve, chain and refill tube.
- 4) Unhook the refill tube from the overflow tube of the drain valve.
- 5) Unlock the flush tower unit by turning counter-clockwise with the chain hook still attached to the trip lever (ill. 1).
- 6) Unhook the chain from the trip lever and remove the flush tower unit (ill. 2).
- 7) Unscrew the three screws from the drain valve body.
IMPORTANT: Make sure not to turn more than seven full turns as the black mounting block can fall into the water channel.
- 8) Remove the drain valve body from the tank (ill. 3).
- 9) Replace the drain valve in the same position as the former drain valve.
- 10) Tighten the screws, applying light torque on each screw before final torque on all three screws.
- 11) Install the flush tower unit onto the drain valve body and turn clockwise to lock the part.
- 12) Hook the chain back to its original location, and the refill tube.
- 13) Turn the water supply back on and check for any leak after the tank has been filled.



ENGLISH

CEFIONTECT® CLEANING INSTRUCTIONS



WHAT IS CEFIONTECT®?

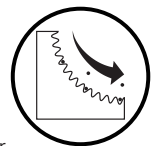
CEFIONTECT® is TOTO's super-smooth permanent glaze that prevents debris from sticking to surfaces. Products with the letter "G" in the number have the CEFIONTECT® glaze. This glaze, along with regular cleaning, will help keep your TOTO product in pristine condition.

NOTE:

For best results to keep your Toto product with CEFIONTECT® clean:

- Lavatory: Use a mild dish detergent with a clean, soft cloth.
- Toilet: Use a gel based cleaner with a soft bristled-plastic brush.
- **Don't use** cleaners, polishing powders or detergents that have gritty or coarse particles.
- **Don't use** bleach, chemical thinners or products that have acid or alkaline detergents listed as ingredients.
- **Don't use** metal scrub brushes or steel wool.

Following these instructions will ensure that your TOTO product with the CEFIONTECT® glaze will always stay intact, keeping your product like new for years to come!



No CEFIONTECT®



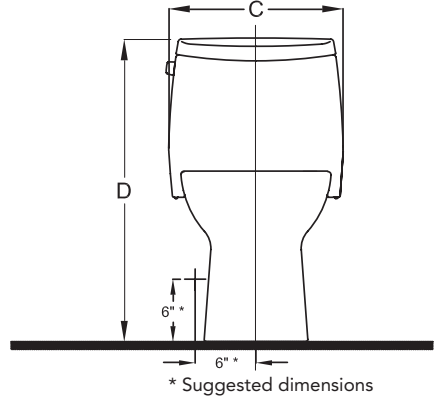
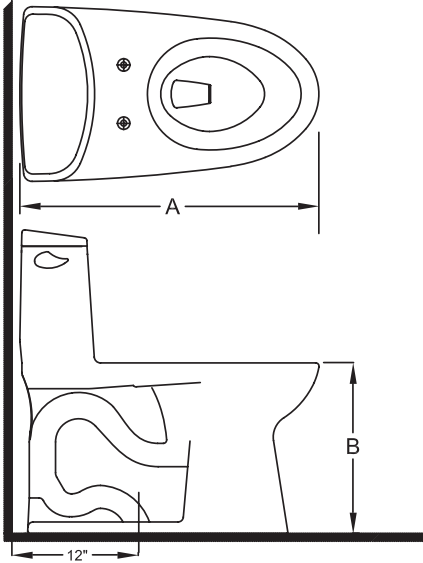
With CEFIONTECT®



ROUGH-IN DIMENSIONS

*** Check for correct dimension**

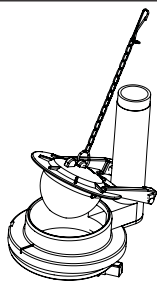
NOTE: Compensate accordingly for any baseboard blocks.



* Suggested dimensions

Model	A	B	C	D
CST604* / MS604*	28-3/8"	16-1/8"	16-1/2"	28-3/4"
CST634* / MS634*	28-3/8"	16-1/8"	16-1/2"	25-5/8"
MS814*	28-1/2"	16-1/8"	16-1/4"	29-1/4"
MS853*	26-1/2"	14-5/8"	16-1/2"	27-1/8"
MS854*	28"	14-5/8"	16-1/2"	27-1/8"
MS856*	27-3/8"	14-15/16"	16-7/16"	26-3/8"
MS856*F*	27-3/8"	16-1/8"	16-7/16"	27-9/16"
MS863*	26-1/2"	14-5/8"	16-1/2"	23-1/2"
MS864114(E)	28"	14-5/8"	16-1/2"	23-1/2"
MS864114L	28-1/8"	16-1/2"	16-1/2"	25-1/2"
MS924154F	28-1/8"	16-1/2"	18-3/8"	27-3/8"

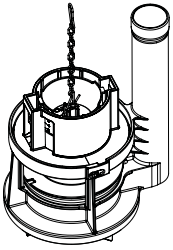
REPLACEMENT PARTS



For flapper type drain valve

Model	Flapper	Fill Valve	Flush Valve	Trip Lever
CST604CEF(G)	THU500S	TSU99A.X	THU747-A	THU808#CP-A
CST604CEFRG	THU500S	TSU99A.X	THU747-A	THU820#CP-A
CST604CUF(G)	9BU094	TSU99A.X	THU469R-A	THU476
CST634CEF(G)	THU500S	TSU99A.X	THU460.6D-A	THU476
CST853	THU500S	TSU99A.X	THU460.15E-A	THU476
CST853E	THU500S	TSU99A.X	THU453.10C-A	THU476
CST854	THU500S	TSU99A.X	THU460.15E-A	THU476
CST854E(L)	THU500S	TSU99A.X	THU453.10C-A	THU476
CST854ELR	THU500S	TSU99A.X	THU453.10C-A	THU341#CP
CST863	THU500S	TSU99A.X	THU460.6D-A	THU476
CST863E	THU500S	TSU99A.X	THU460.6D-A	THU476
CST864(L)	THU500S	TSU99A.X	THU460.6D-A	THU476
CST864E	THU500S	TSU99A.X	THU460.6D-A	THU476
CST924F	THU500S	TSU99A.X	THU460.6D-A	THU147#XX

REPLACEMENT PARTS



For flush tower type drain valve

Model	Drain Valve	Seal Gas-	Fill Valve	Trip Lever
CST604CEF(G)*	THU747-A	THU407	TSU99A.X	THU808#XX-A
CST604CEFR(G)*	THU747-A	THU407	TSU99A.X	THU820#XX-A
CST634CEF(G)*	THU460.6D-A	THU407	TSU99A.X	THU808#XX-A
CST814CEF(G)	THU451.10A-A	THU407	TSU99A.X	THU458#XX
CST814CUF(G)	THU465	THU474	TSU99A.X	THU466#XX
CST853T	THU460.15E-A	THU407	TSU99A.X	THU808#XX-A
CST853ET	THU453.10C-A	THU407	TSU99A.X	THU808#XX-A
CST854T	THU460.15E-A	THU407	TSU99A.X	THU808#XX-A
CST854E(L)(R)T	THU453.10C-A	THU407	TSU99A.X	THU808#XX-A
CST863ET	THU460.6D-A	THU407	TSU99A.X	THU808#XX-A
CST864ET	THU460.6D-A	THU407	TSU99A.X	THU808#XX-A
CST856CUM(F)G	THU785-A	9BU112E-A	TSU812.07-A	THU773#CP-A
CST856CEM(F)G	THU786-A	9BU112E-A	TSU802.07-A	THU773#CP-A
CST856CSM(F)G	THU787-A	9BU112E-A	TSU812.07-A	THU773#CP-A
CST856CUMFRG	THU788-A	9BU112E-A	TSU812.07-A	THU774#CP-A
CST856CEMFRG	THU789-A	9BU112E-A	TSU802.07-A	THU774#CP-A