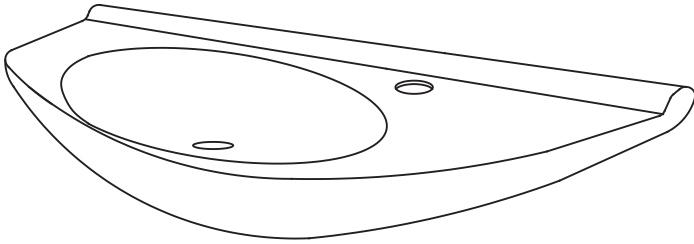


Wall Mount Lavatory



LT650

TABLE OF CONTENTS

Thanks for Choosing TOTO®!.....	3
Warnings.....	3
Before Installation.....	3
Installation Procedure.....	4-5
Warranty.....	6

THANKS FOR CHOOSING TOTO!

The mission of TOTO is to provide the world with healthy, hygienic and more comfortable lifestyles. We design every product with the balance of form and function as a guiding principle. Congratulations on your choice.

WARNINGS

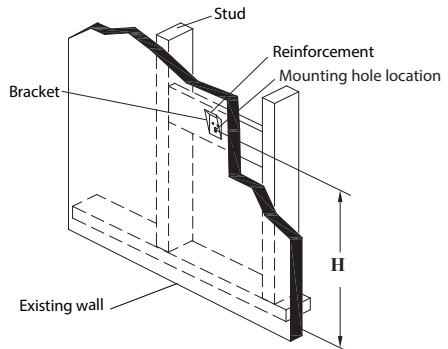


When this symbol appears in the manual, it is alerting you of potential misoperations that may cause personal injury and/or property damage.

BEFORE INSTALLATION

If you are installing this product in a new construction or remodel, please make sure you are following all local plumbing and building codes. Carefully unpack and examine your new fixture for damage. To help ensure that the installation process will proceed smoothly and correctly, please read these instructions carefully before you begin.

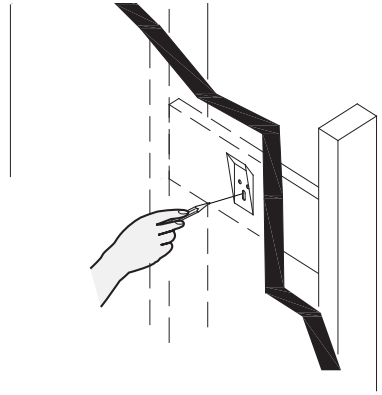
- Provide proper reinforcement, such as a brace, between the studs of the wall to help support the lavatory.
- Install the brace at the proper height (H), which corresponds to the lavatory mounting hole locations.
- For best results, the floor must be level and the wall must be square with the floor.



INSTALLATION PROCEDURE

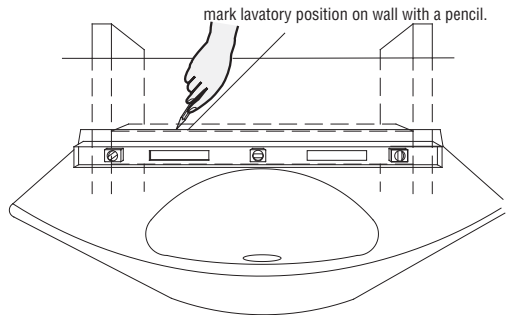
Preparation

1. Refer to the rough-in guide for location of mounting bracket holes.
2. Use a pencil to mark the location of the screw hole that corresponds to the slotted hole in the mounting bracket.
3. Drill pilot hole for wood screw.
4. Install the mounting plate to the wall using the bottom screw only.



Lavatory Installation

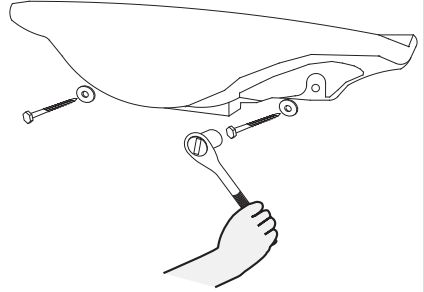
1. Place lavatory on bracket and brace adequately so that the lavatory can not tip over.
2. Check to make sure the lavatory is installed at the correct height and is level.
3. Mark the location of the mounting holes in the lavatory.
4. To help recall the lavatory position, trace a line along the sides and top edge of the lavatory.
5. Remove the lavatory from bracket.
6. Drill the remaining holes for the mounting bracket and install (2) remaining screws.



INSTALLATION PROCEDURE

Lavatory Installation (continued)

7. Install the faucets and drain (not supplied) per the manufacturer's installation instructions.
8. Return the lavatory into position with the marks on the wall.
9. Install the lavatory mounting hardware. Place a metal washer onto a screw.
10. Insert the screw through a mounting hole in the lavatory.



NOTE: DO NOT SECURE THE SCREW AT THIS TIME.

12. Place the remaining metal washer onto the screw. Insert the screw through the remaining mounting hole in the lavatory.
13. Level the lavatory with the mark along the top and sides of the lavatory.
14. Secure the lavatory to the wall.

DO NOT OVERTIGHTEN.



WARNING

Overtightening may damage the products and cause personal injury and/or property damage.

Faucet and Drain Connections (Not Supplied)

1. Connect the water supply to the faucet according to the faucet instructions.
2. Connect and tighten the trap to the drain.
3. Turn on the water supplies to the faucet.
4. Purge the air from the hot and cold water by running the water for a few seconds.
5. Fill the lavatory with water.
6. Check the leaks at the water supply and drain connections.