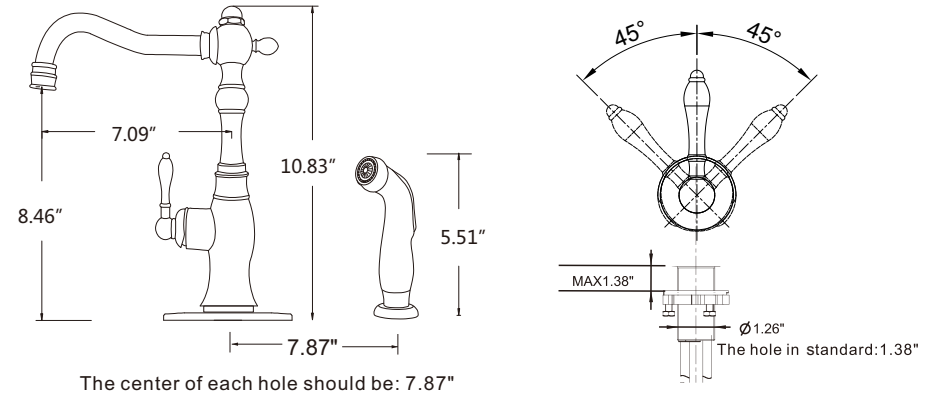
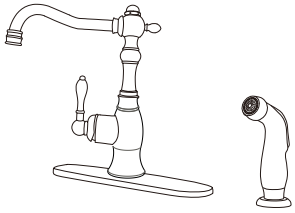


ANZZI™

KF-AZ224BN KF-AZ224ORB

TWO HOLES KITCHEN FAUCET WITH DECK PLATE
AND SIDE SPRAYER

SOLID BRASS
CERAMIC CARTRIDGE
FLOW RATE:1.8GPM
LIMITED LIFETIME WARRANTY:



The center of each hole should be: 7.87"



NSF/ANSI 61
NSF/ANSI 372

PREPARATION

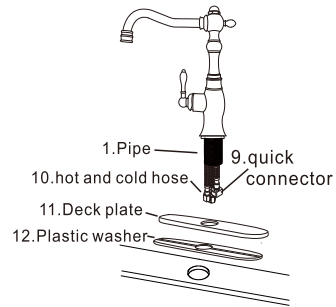
MAKE SURE TO SHUT OFF THE WATER FLOW FROM YOUR HOT AND COLD SUPPLY LINES.

MAKE SURE YOUR MOUNTING HOLE IS CUT TO SIZE.



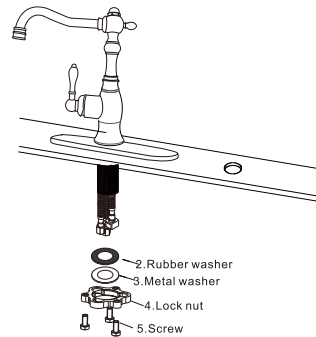
ITEMS YOU MAY NEED.

STEP 1



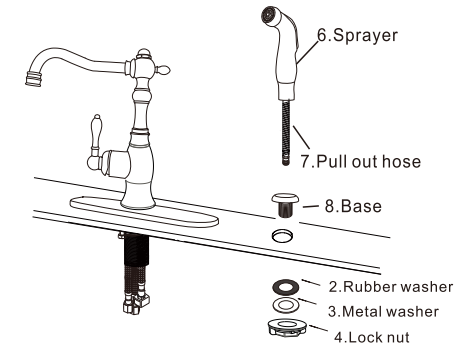
1.Position the faucet, deck plate and o-ring on the installation surface.
And then put the faucet into center hole.

STEP 2



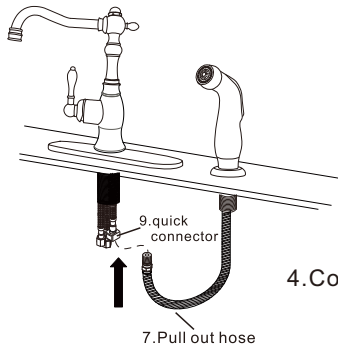
2.Adjust the position of the faucet and secure it with the fixing kit as photo.

STEP 3



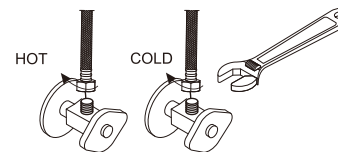
3.Put the base into the hole.
Put the sprayer and pull out hose through the base.
secure it with the fixing kit as photo.

STEP 4



4.Connect pull out hose with quick connector.

STEP 5



5.Connect the flexible hose to water supply valve (not included),and tighten it with adjustable wrench.

DON'T OVER TIGHTEN!

Caution: make sure to connect the hot and cold flexible hoses to supply valves correctly.

Warning:

**Supply valves and flex hoses not included.
Purchased separately.**