

Actual Size: 36" x 72" x 40" • (91cm x 183cm x 102cm)

Shipping Size: 40" x 76" x 49" • (102cm x 193cm x 124cm)

Net Weight: 286 lbs • (130kg)

Shipping Weight: 398lbs • (180kg)

Seat Width: 27" & 29" • (69cm & 74cm)

Unoccupied Water Capacity: 145gal • (549L)

Occupied Water Capacity: 85-135gal • (322 - 511L)

Features

1. Acrylic shell gloss white finish fiberglass gelcoat reinforced
2. Stainless steel frame with adjustable leveling legs
3. Inward swinging removable brushed stainless-steel door with a frosted tempered glass
4. Removable front apron with two access panels
5. One reversible end panel
6. Stainless steel chrome finish wall-mounted grab bar
7. Removable swivel tray in a white matte finish
8. Two 2" 4-port PVC drains with 2 end caps included, 2 overflows, 2 stainless steel operated openers with extended handles in chrome finish

Jetting & Therapy System

Hydro Massage for Seat Jets:

- Hydro Massage Pump 7A 1000W
- Intensity Dial Air Control
- 18 Upper Seat Jets (9 on each seat)
- Controlled by Digital Controller

Hydro Massage for Foot & Calf Jets:

- Hydro Massage Pump 7A 1000W
- Intensity Dial Air Control
- 4 Foot and 4 Calf Jets
- On/Off Push Control
- In-Line Water Heater - 5.5A 650W
- Ozone Sterilization - 0.04A

Air Massage:

- Air Massage Pump 4.5A 500W
- 3 Speed Pump
- Auto-Purge (activates 20 minutes after pump is turned off)
- 12 Seat Jets (6 on each seat) 6 Foot Jets
- Controlled by Digital Controller



LED Chromotherapy Light

- Multicolor LED Light Bulb 0.5A
- Transformer
- Controlled by Digital Control Pad

Two-Piece Fast Fill Faucet (2)

- Up to 10 16GPM @ 60PSI an ideal in-home plumbing conditions
- Two 5' water supply lines with 3/4" connectors
- Pull out, hand held, chrome plated hand shower with a 5' ft. retractable stainless steel braided hose

Optional Features

MicroBubble Therapy System

- 1 HP Pump 7.3A
- Pressure Vessel
- On/Off Push Control
- Agitator Valve

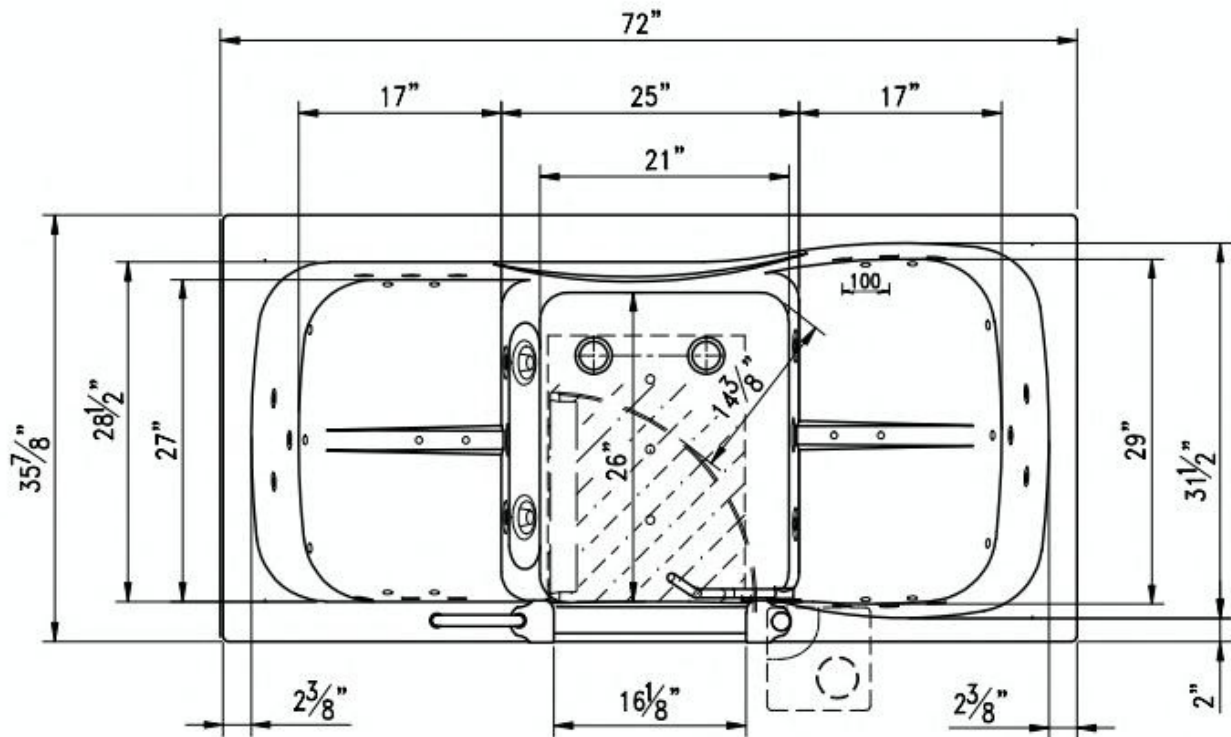
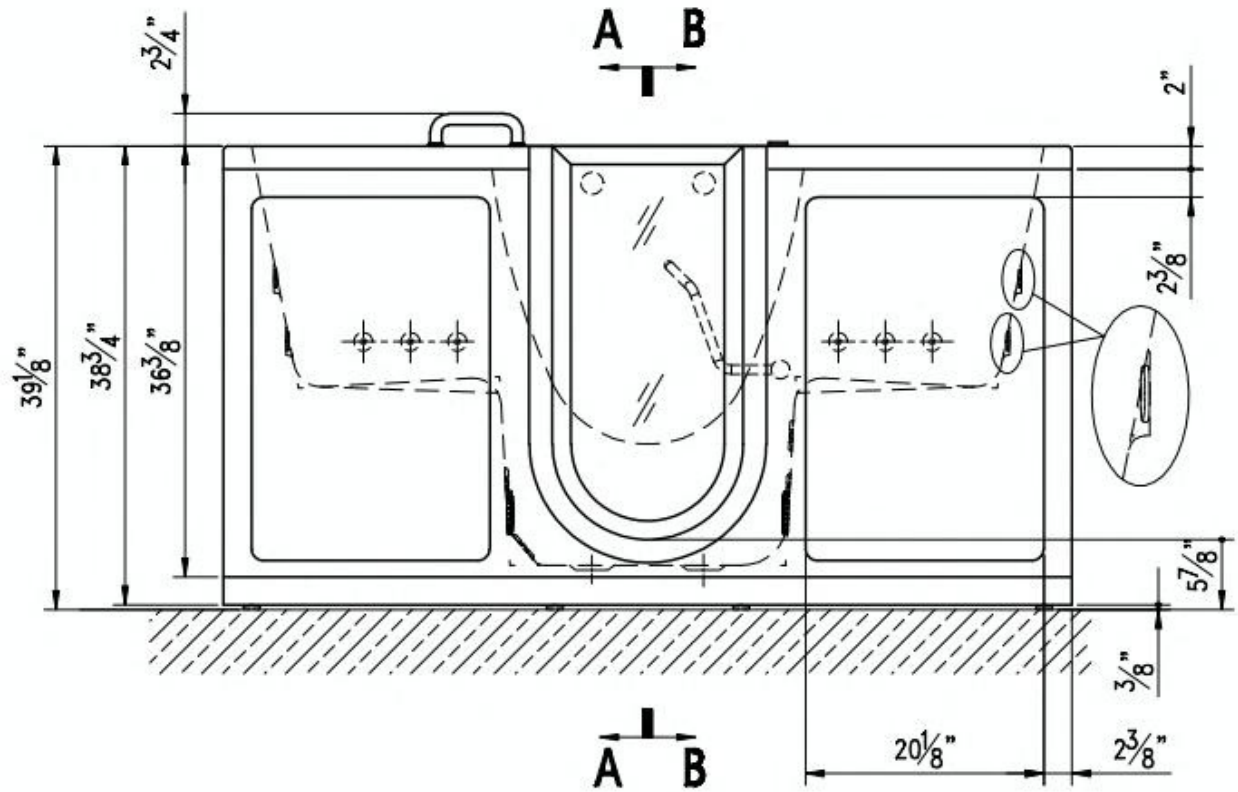
Heated Seat and Backrest

Warranty

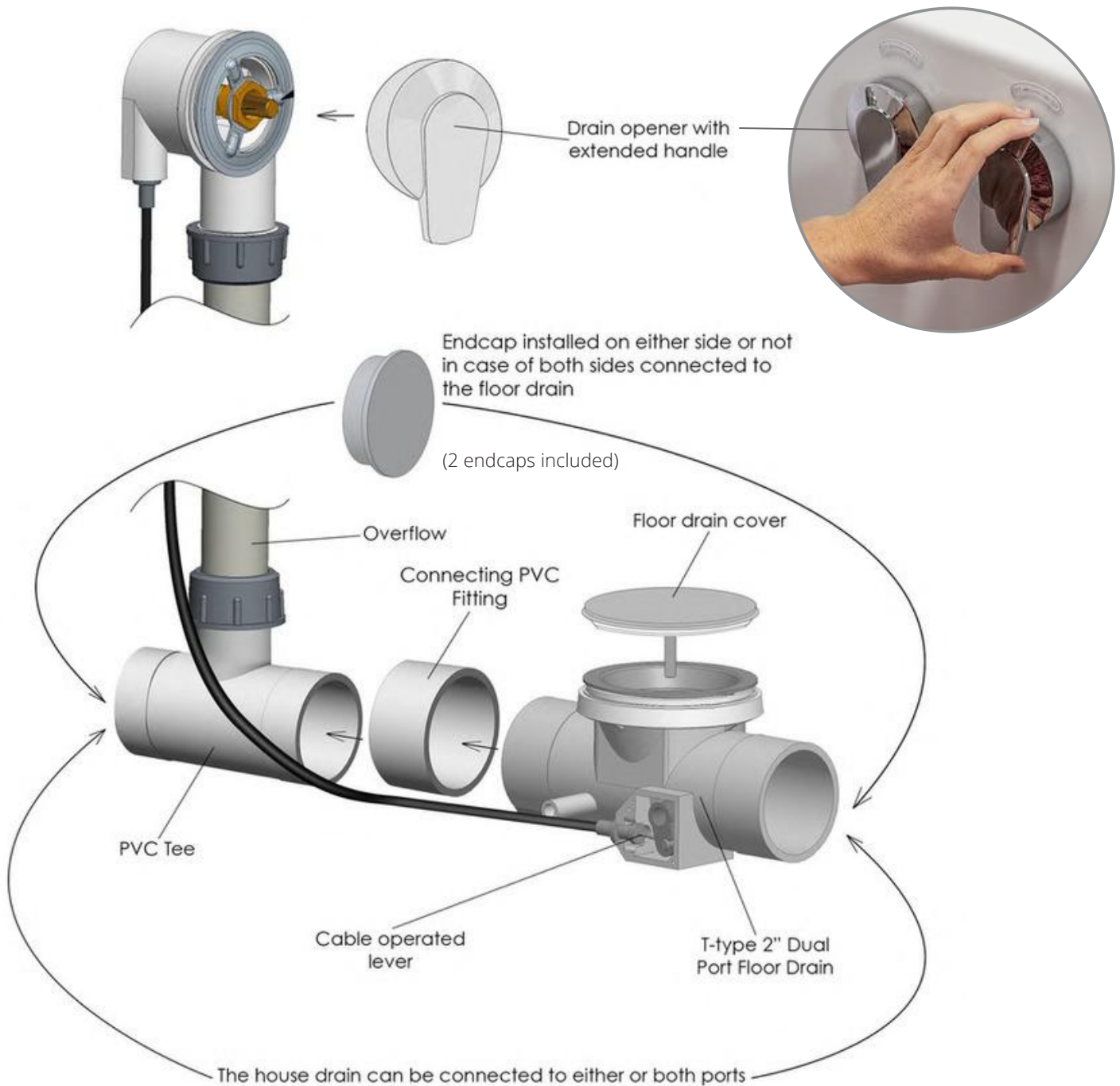
- Lifetime limited* warranty on shell, frame, door, and parts to original purchaser/address
- Labor or installation is not covered - please refer to the Ella warranty certificate

Electrical Requirements

Dedicated GFCI protected electrical line(s) required
115V 60Hz equipment



Dual Drain Technology - Two 2 Inch Independent Floor Drains



Two 3/4" connector water supply lines included with Ella Fast Fill Faucets



Connect to Shut
Off Valves
(not included)



All electrical fixtures
connect to a dedicated
GFCI protected outlet.



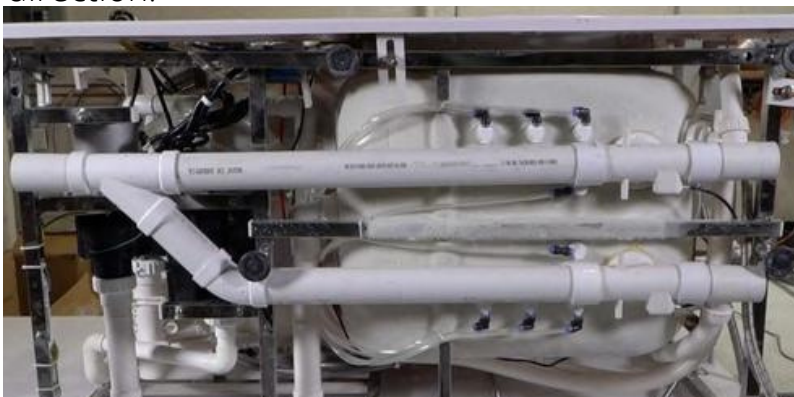
Drain Cap

Use a drain cap to close
unused drain port.



T-Type four (4) 2" drain ports
allow for the drain pipe to
be installed in either
direction.

Images below show examples of PVC pipe
connections (not included). Reducers can
be used to connect smaller drain pipes.



Description

Solid brass spout chrome finish single lever high flow bathtub faucet with diverter button Two (2) 3/4" 5' braided stainless-steel supply lines Pull out hand shower mixer with 5 settings and 5' braided hose in a Chrome or Brushed Nickel finish.

Flow

- Hand shower is limited to 1.9 GPM (7.5L/min)
- Faucet fill rate designed for 16 GPM (68.1L/min)

Cartridge

- 40mm high flow cartridge design
- Nonmetallic/nonferrous and stainless-steel material

Standards

- Third party certified to meet: CSA B125.1, ASMEA112.18.1, ICC117.1 and all applicable requirements referenced therein
- Certified to ANSI/NSF 61/9
- ADA for lever/handle
- IAPMO R&T UPC certified

Hot and Cold ON/OFF Lever

Brushed Nickel Finish

Spout

Chrome Finish



NOTE: This faucet is designed to be installed through: 2-1/2" diameter hole for faucet, 1/3" diameter hole for mounting rods, and a 7/8" diagonal hole for the hand shower.

