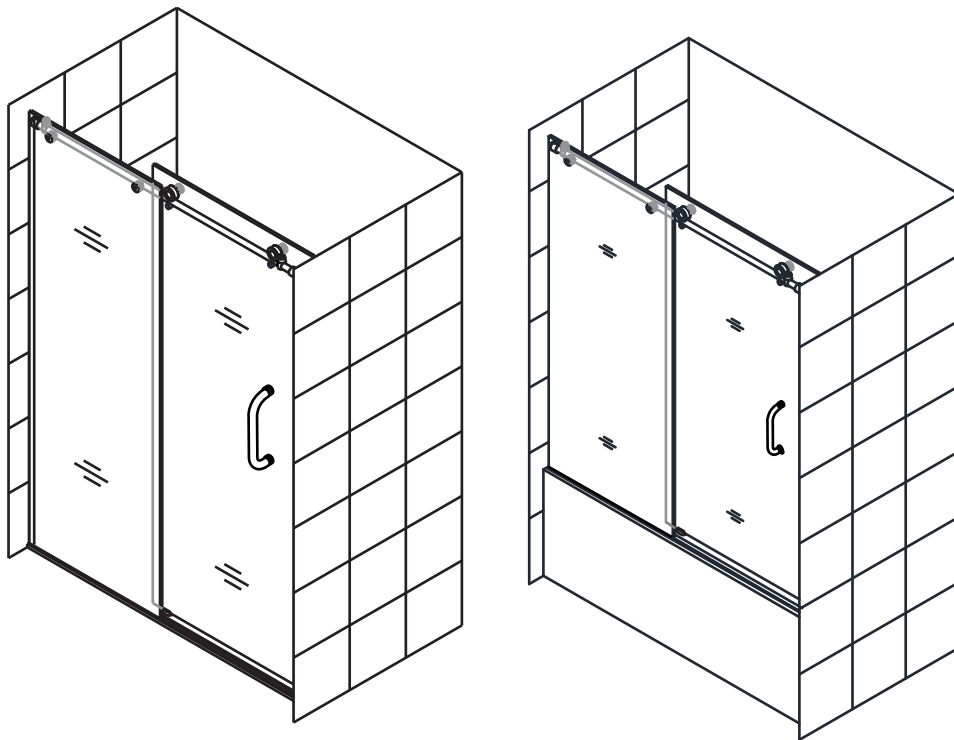


# ANZZI™

## SHOWER DOOR INSTALLATION & CARE GUIDE



For models:  
SD-AZ17-01  
SD-AZ8080-01



***Please Note: This is a two person job. The glass doors are extremely heavy and it is highly recommended to use professional installers.***

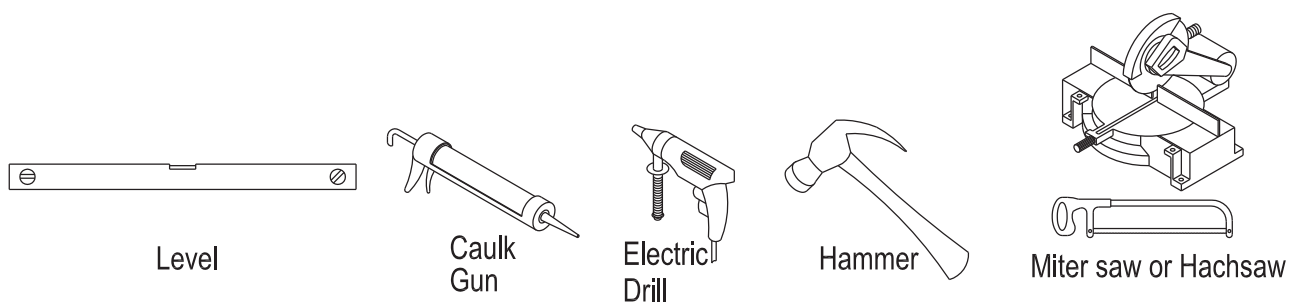
## Preparation

1. After opening the boxes, read this introduction carefully, check all the packed parts are complete by cross checking all the components against the "Detailed Diagram of Shower Door Components". Examine for shipping damage. If the unit has been damaged or has a finishing defect, please contact your local distributor within 3 business days. Please note that **we will not replace any damaged product or parts free of charge after 3 business days or if the product has been installed.**

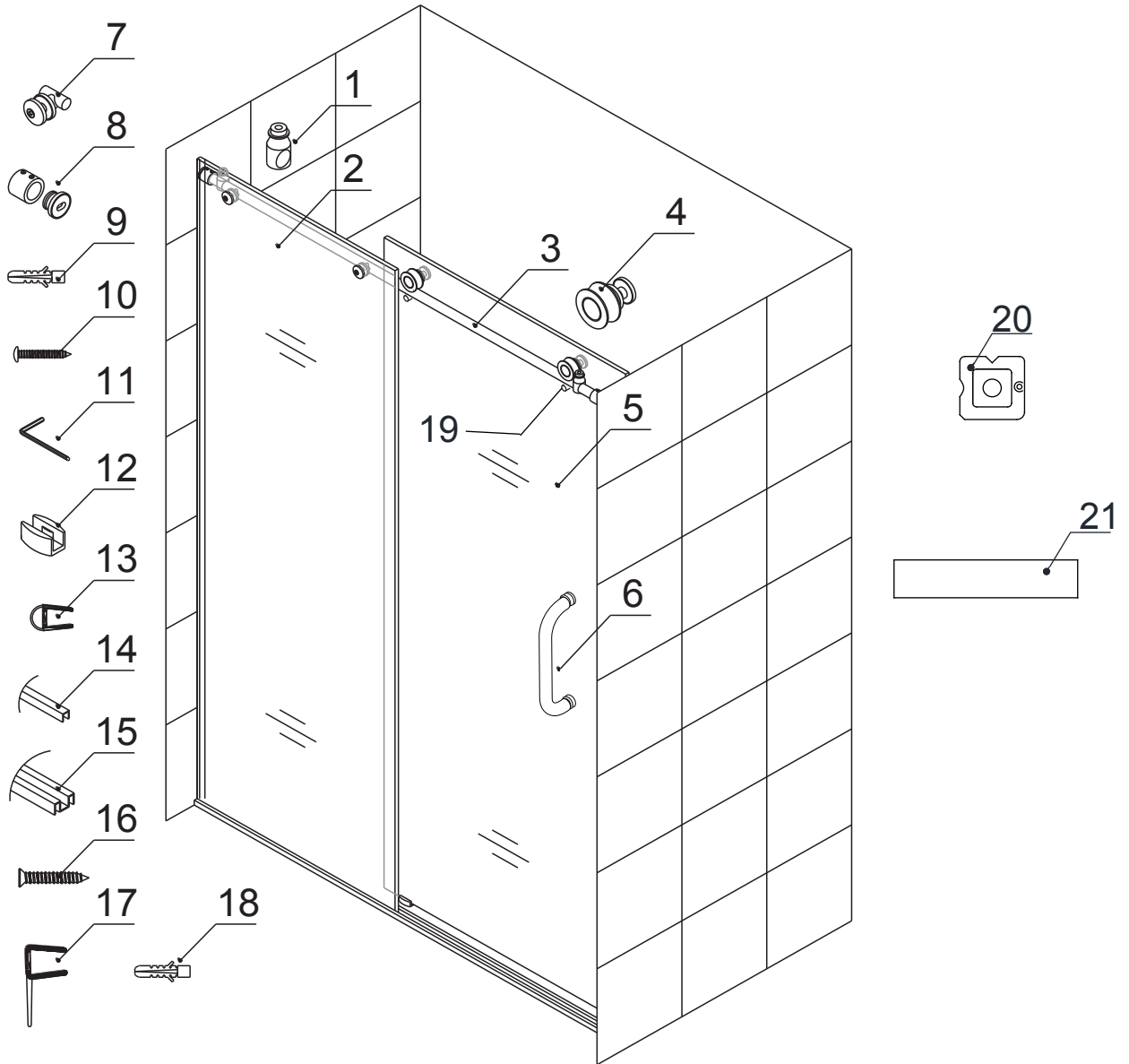
Contact your distributor or us if you have any questions.

2. **Please note that you should consult your local building codes on questions on installation compliance standards. Building and plumbing codes vary by location, and we are not responsible for code compliance standards for your project.**
3. Please ensure that prior to the installation the floor is leveled and solid. Also make sure the walls are at right angles. While some adjustment in leveling of the door is possible, irregular floor level or improper angle of side walls will result in serious problems for your installation. Please note that there are some adjustments and drilling might be necessary during the installation process.
4. This unit has to be installed against finished floor and walls.
5. This door requires 3 1/2" wide threshold or installation space.
6. **Please note, step 6 is for installation of the door to the wall using anchors. However, the manufacturer strongly suggest to install this heavy doors on preinstalled 2x4 wood reinforcement behind the wall and attach the Wall brackets to it.**
7. If the glass is single surface easy self clean, the easy clean surface should be face to inside of the shower room.  
If the glass is double surface easy self clean, then it is reversiable for both surface.

## Tools Required



## Detailed Diagram of Shower Door Components



### Packing List

01	Door stopper	2pcs	10	Round head screw ST6×45	2pcs
02	Stationary glass	1pc	11	Allen keys 3mm, 4mm and 5mm	1set
03	Upper guide rail	1pc	12	Guide block	1pc
04	Roller	4pcs	13	Bumper strip	1pc
05	Glass door	1pc	14	Threshold cover	1pc
06	Handle	1pc	15	Threshold	1pc
07	Glass bracket	2pcs	16	Countersunk screw ST4.2×30	5pcs
08	Guide rail bracket	2pcs	17	Anti-water strip	2pcs
09	Large anchor 3/8	2pcs	18	Small anchor 5/16	6pcs
19	Roller guard	2pcs	21	Glass bottom protection seals	2pcs
20	Silicone cleaner	1pc			

**After you have checked that all components are there, you will be ready to start the installation of your sliding shower door.**

## Shower Door Installation

1. Measure the distance between two finished walls. This distance is marked as "**W**".

See Fig. 1 for details.

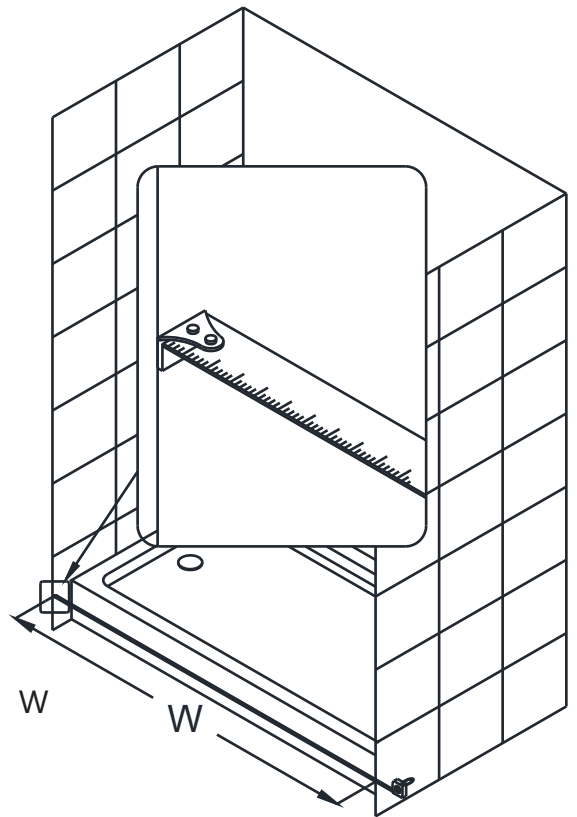


Fig. 1

2. Your **Upper guide rail (03)** has been precut for your Shower model opening width: **48"** or **60"** for shower width.

If **W**-width of your wall-to-wall opening is equal to the size of your Shower model, it is unnecessary to cut the **Running rail (03)** and you can continue to [Step 3](#).

If **W**-width of your wall-to-wall opening is less than the size of your Shower model, you will need to cut the **Upper Guide rail** from the end which is farther from the **Glass brackets (07)** holes.

The length to cut off will be **L**:

**L**=Subtract **W** from the size of your Shower model.

### **FOR EXAMPLE**

If your wall opening **W=47"**. Your shower model is **48"**.

**L=48"-47"=1"**,

You have to cut **1"** off from the rail.

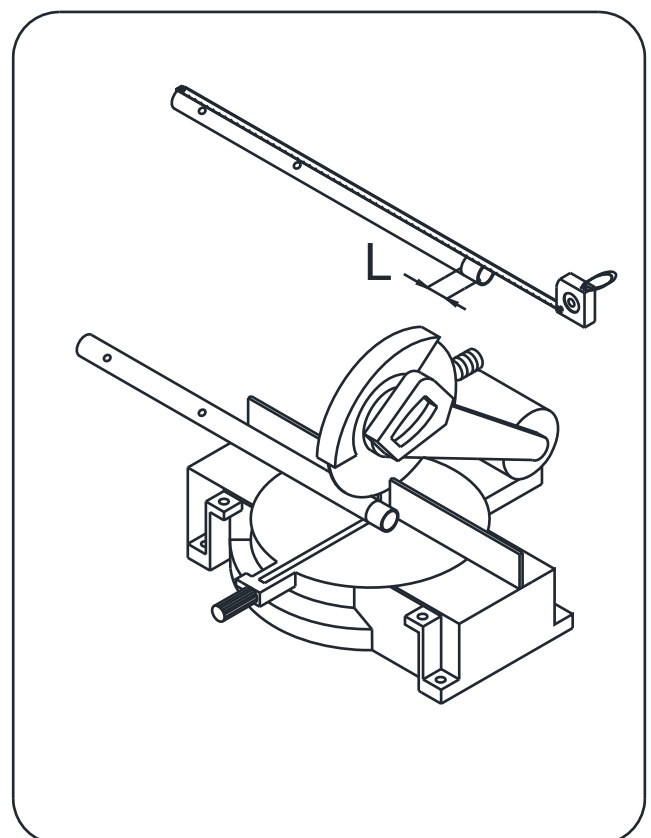


Fig. 2

See Fig. 2 for details.

3. Install the **Upper guide rail (03)** to the **Stationary glass (02)** with the **Glass brackets (07)** and tighten the set screws.

Slide the **Door stoppers (01)** on each end of the **Upper guide rail (03)** and secure them temporarily.

Slide the **Guide Rail brackets (08)** on each end of the **Upper guide rail (03)** and temporarily secure them as well.

See Fig. 3 and Fig. 4 for details.

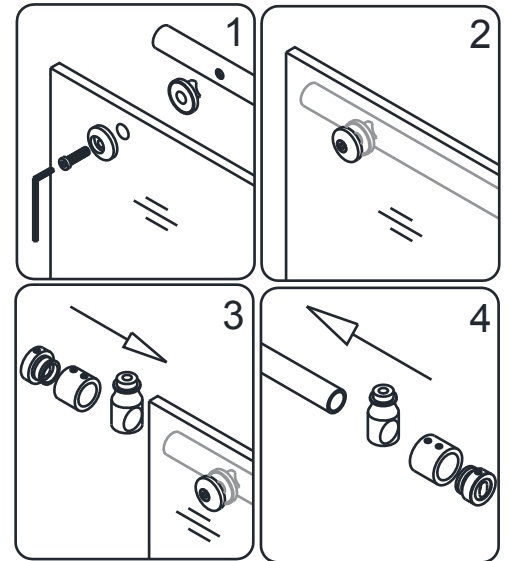


Fig.3

**NOTE:**

Before you start installation of the **Stationary glass (02)**, you have to take the **Glass door (05)** into the shower room and lean it against the wall.

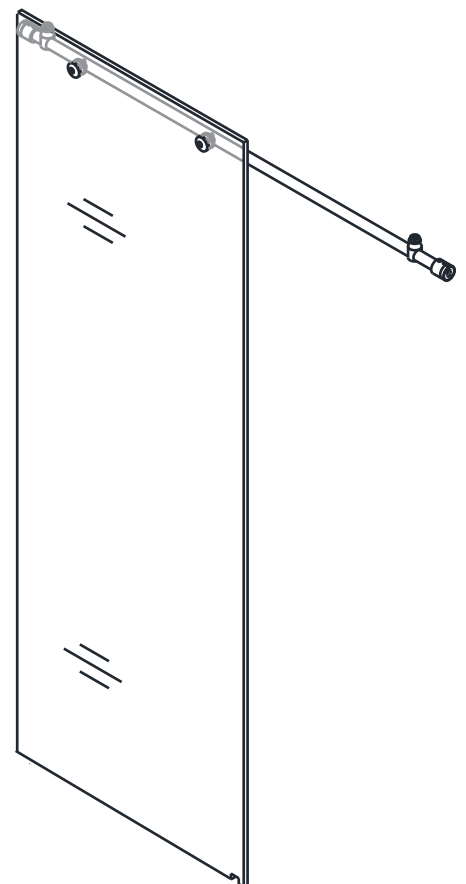


Fig. 4

- Place the **Stationary glass (02)** on the preinstalled shower base or threshold and butt it up against the wall.

**(Please note that the Upper Guide rail (03) secured on the Stationary Glass should face inside the shower).**

Make sure the **Stationary glass** and the **Upper Guide rail** are leveled and aligned with the shower base or threshold. If a horizontal adjustment is required, adjust it in the **Glass bracket (07)**.

See Fig. 5 for details.

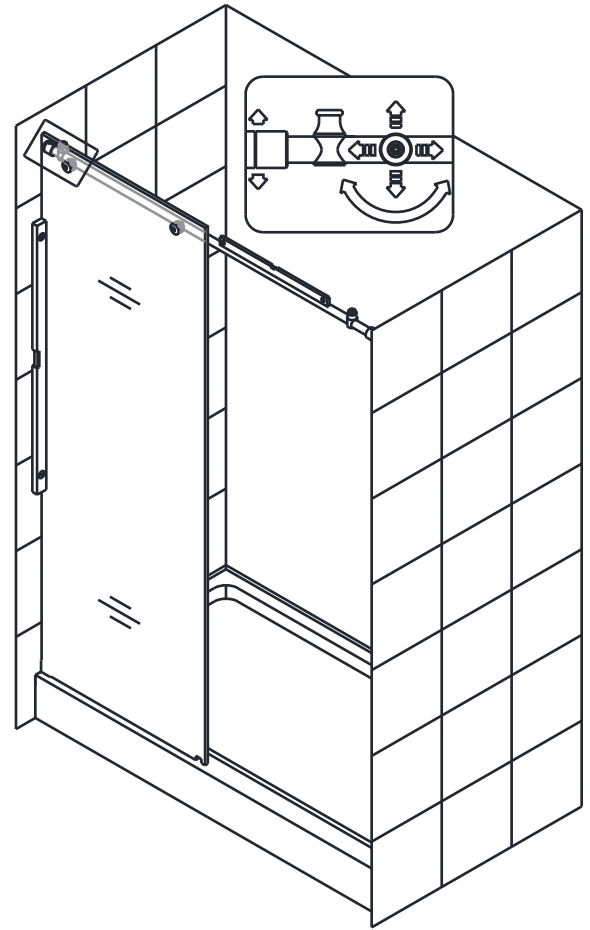


Fig. 5

- Outline the position of the **Guide Rail brackets (08)** on the wall.  
Set the **Stationary glass (02)** aside.  
Remove the **Guide Rail Brackets** from the **Upper Guide Rail (03)**  
Place the **Rail bracket** to the outlined positions and mark the holes for drilling.

See fig. 6 for details.

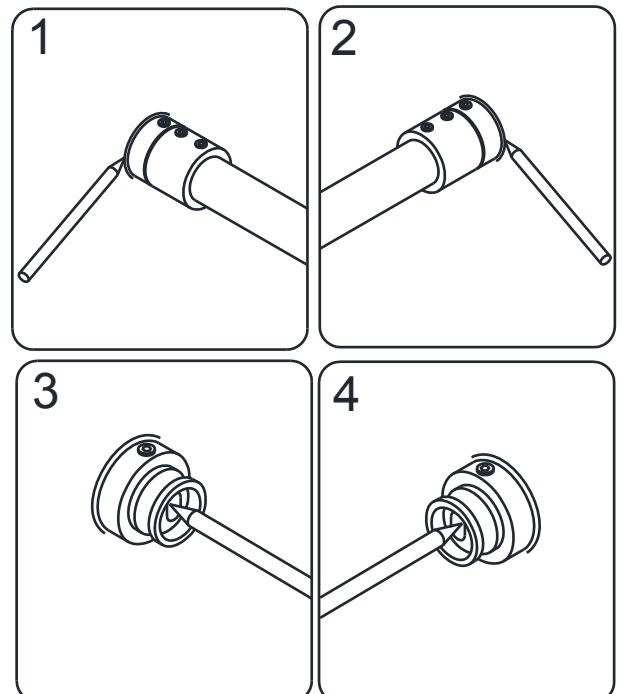


Fig. 6

6. Drill the holes for the **Guide rail brackets (08)** using  $\text{\O 3/8"}$  drill bit and insert the **Large anchor 3/8" (09)**.

See Fig. 7 for details.

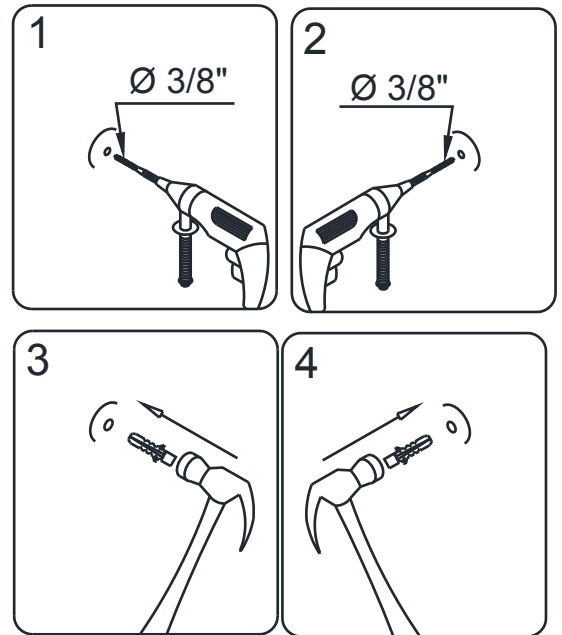
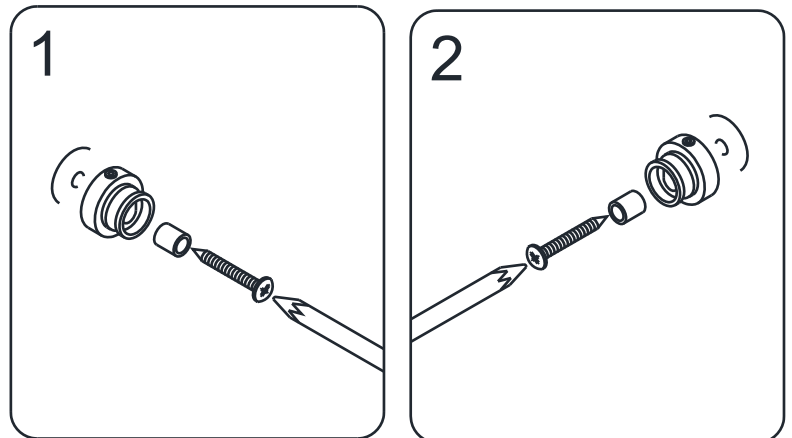


Fig. 7

7. Mount the male parts of the **Guide Rail brackets (08)** onto both walls using the **Round head screw ST5×45 (10)**.

See Fig. 8 for details.

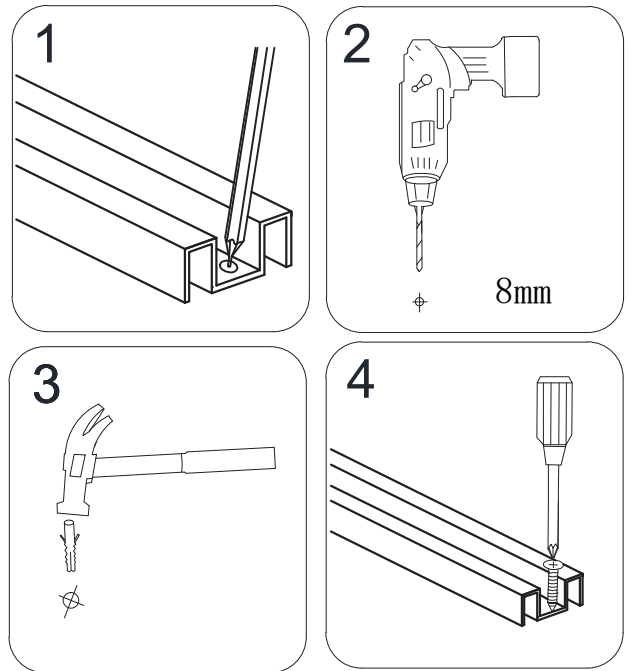


8. Mark the drilling holes on the floor through the predrilled holes in the **threshold (15)**  
Remove the **Threshold**, drill the holes in the floor using  $\varnothing 5/16''$  drill bit and insert the **Small anchors  $\varnothing 5/16''$  (18)**.

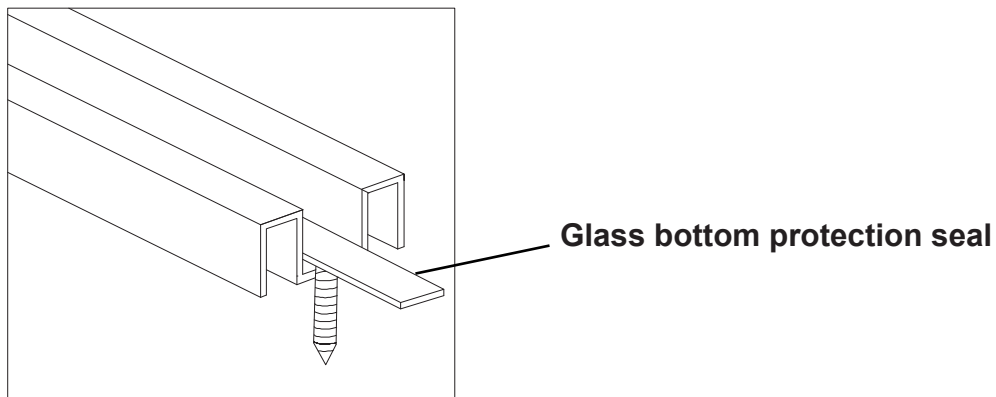
Apply silicone on the bottom of the **Threshold** along the center line and around the holes, place it back to the designated position and fasten it to the floor with the **Countersunk screw ST4.2x35(16)**

See Fig. 9 for details.

Fig. 9



Note: To avoid the stationary glass damaged by screws in threshold, it is necessary to use **Glass bottom protection seal (21)** to cover on the 2 screws on the bottom of sanitary glass.



9. Fasten both female parts of the **Guide rail brackets (08)** to their male parts on the walls. Tighten the set screws on the **Guide rail brackets** to secure the **Upper guide rail** between the two walls.

See Fig. 10 for details

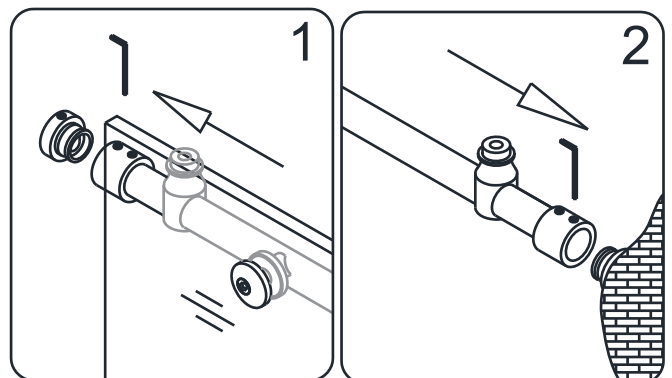


Fig. 10



10. Place the **Guide block (12)** on the floor and parallel it to the **Stationary glass panel** with its edge flush with the glass vertical edge. Take a measurement to ensure the distance from the outer surface of the glass to the center line of the guide block is  $2 \frac{3}{16}$  , hold it firmly and mark hole positions on the floor. Remove the block, drill holes in the floor, insert anchors in and then secure it onto the floor with the **Countersunk screw ST4.2×30.(16)**

See fig.11 for details.

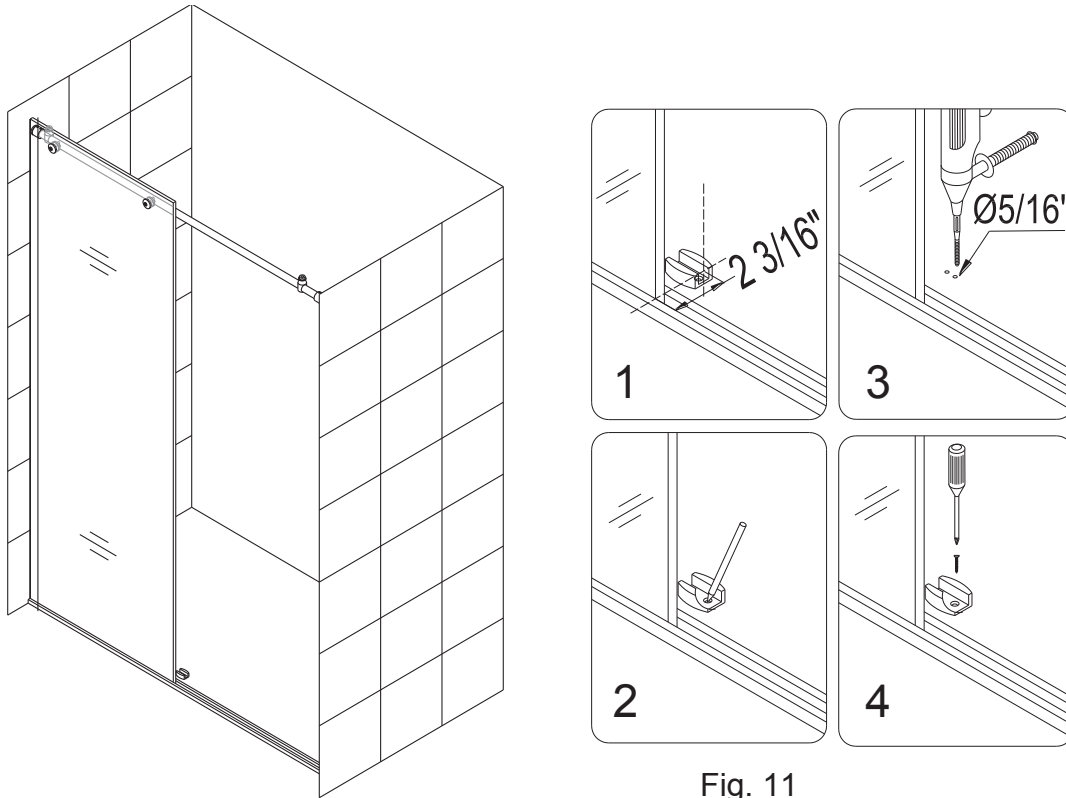


Fig. 11

11. Attach two **Rollers (04)** to the **Glass door (05)**.

Suspend the door by hanging the **Rollers** onto the **Upper guide rail (03)** and slide the bottom edge of the **Glass door** into the groove of the **Guide block (12)**. Adjust the fasteners on both **Rollers** to ensure that the bottom edge of the **Glass door** does not touch the bottom of the **Guide block**.

Then mount two **Roller guards (20)** on the door to secure the door to the **Upper guide rail**.

See Fig. 12 for details.

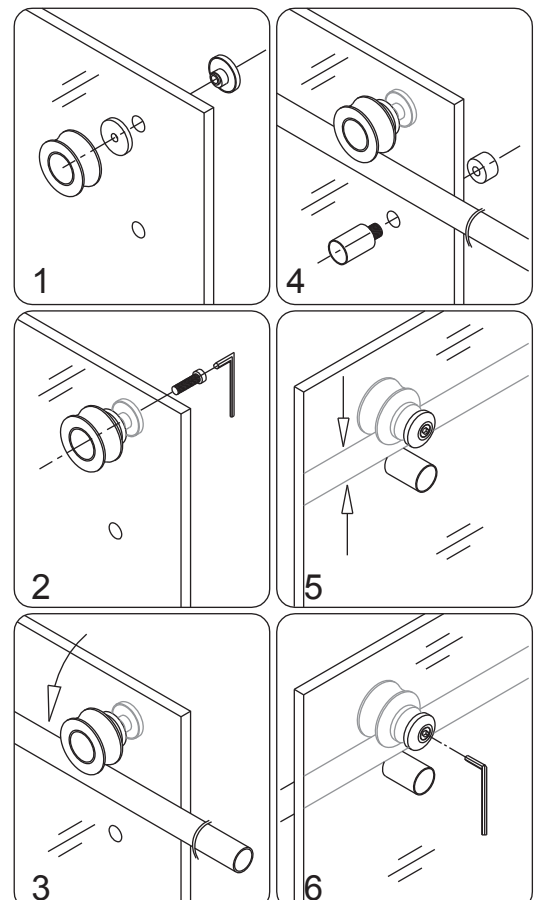


Fig. 12

12. Refer to Step 8 to cut the **Threshold cover (14)** to size if necessary. Push the **Threshold cover** onto the threshold when the door is in the opened position.

See fig. 13 for details.

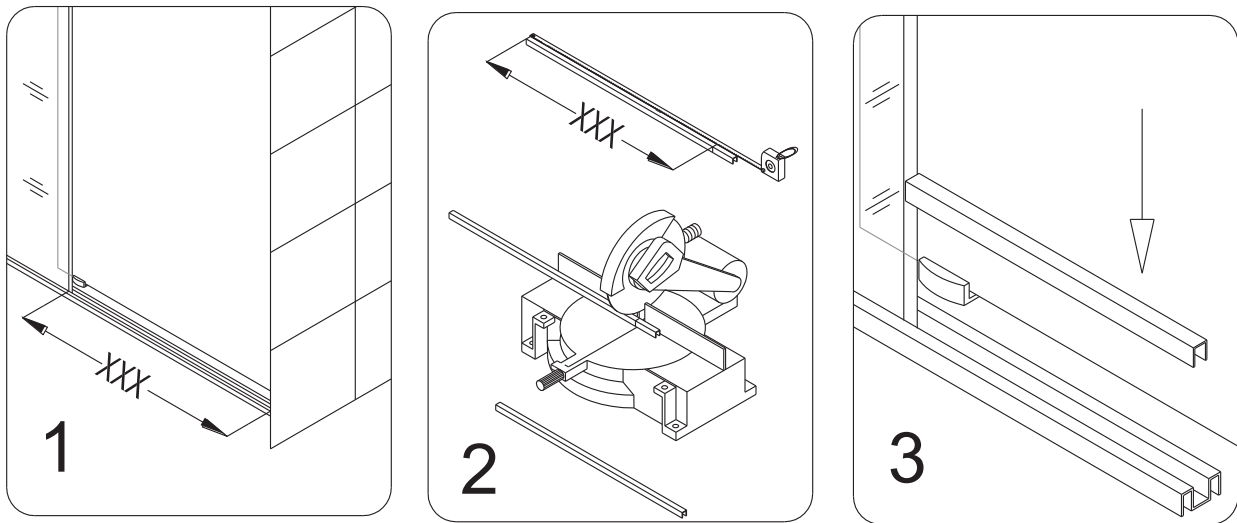


Fig. 13

14. Press the **Anti-water strip (17)** on the vertical edges of the **Stationary glass (02)** and the **Glass door (05)**. Also press the **Bumper strip (13)** on the vertical edge of the **Glass door**.

Mount the **Handle (06)** to the **Glass door**.

Adjust both **Door stoppers (01)** to ensure that they are positioned upright and the **Glass door** is in its maximum opening and closing range. Tighten the set screw to fasten them in place.

See Fig. 14 for details.

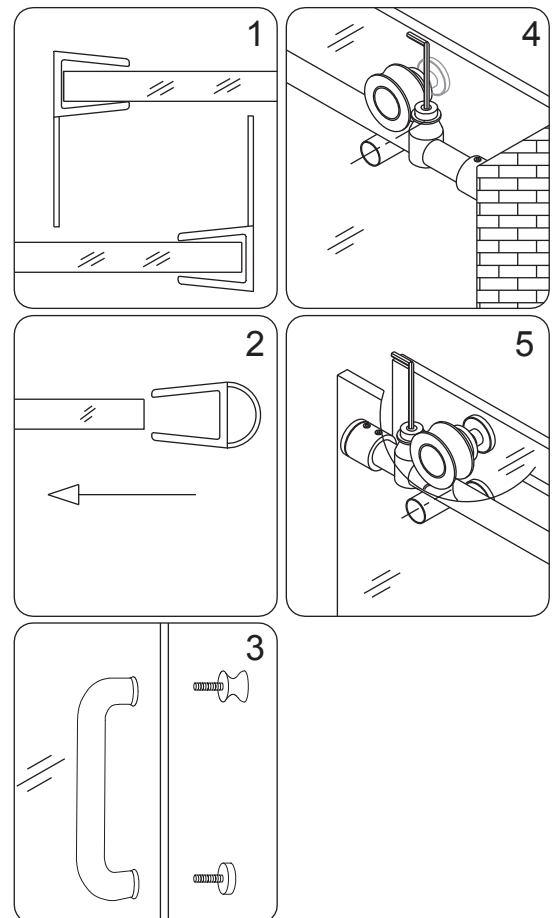


Fig. 14

15. Apply Kitchen & Bath silicone along the connection of the Stationary glass with the wall and the shower base or the threshold.

Use tool **Silicone cleaner (20)** to clean silicone.

See Fig. 15 for details.

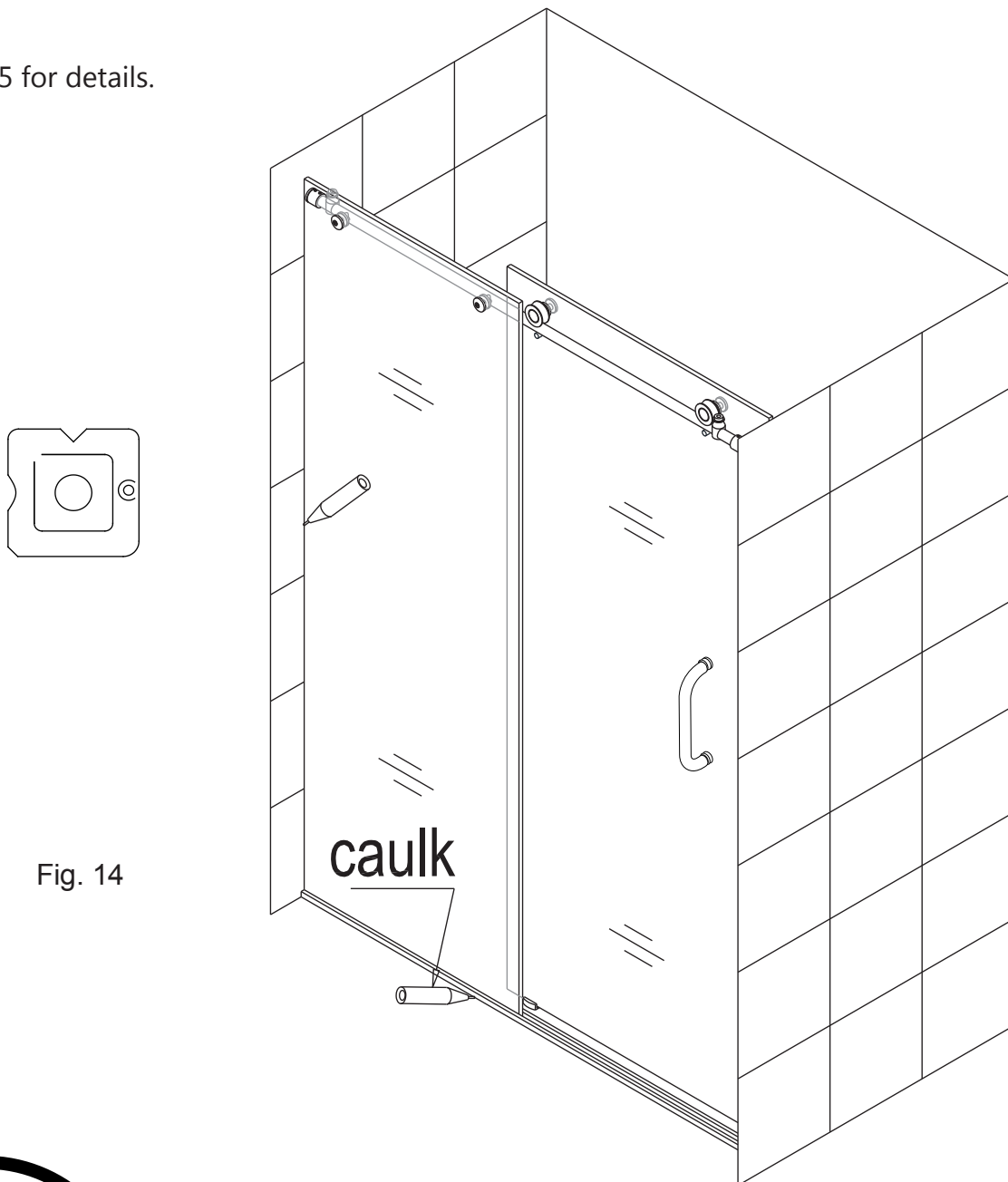


Fig. 14



**24** HOURS  
HEURES

**IMPORTANT WARNING: DO NOT USE THE SHOWER ENCLOSURE IN 24HOURS, SO THAT SILICONE GEL CAN GET TOTALLY DRY.**

## **Product Maintenance**

To ensure a long lasting hardware finish, wipe off the metal parts after each use with a soft cloth. Do not use abrasive cleaners or cleaning products containing ammonia, bleach or acid. If accidentally used, rinse the surface as soon as possible to prevent finish peeling or corrosion. After cleaning the shiny finishes, rinse thoroughly and wipe dry with soft cloth. Clean stainless steel surfaces at least once a week. When applying stainless steel cleaner or polish, work with (not against/across) the grain. Never use an abrasive sponge or cloth, steel wool or wired brushes.

1. Tempered glass can be cleaned with nonabrasive bathroom cleaner or any glass cleaner you use elsewhere in your home. Rinse off any glass cleaner. Avoid striking it with any sharp or hard objects. Such damage can cause either immediate or delayed breakage of tempered glass.
2. Maintenance of the wheel:
  - A: Use a small amount of the lubricating oil to keep roller movement smooth.
  - B: Adjust wheel screw periodically to guarantee moving door effective bearing and sliding.