

Actual Size: 55"L x 29.5"W x 36"H
 • (139.7cm x 74.93cm x 91.44cm) (with neck support 38")

Shipping Size: 58.5"L x 33.5"W x 46"H
 • (148cm x 85.1cm x 116.9cm)

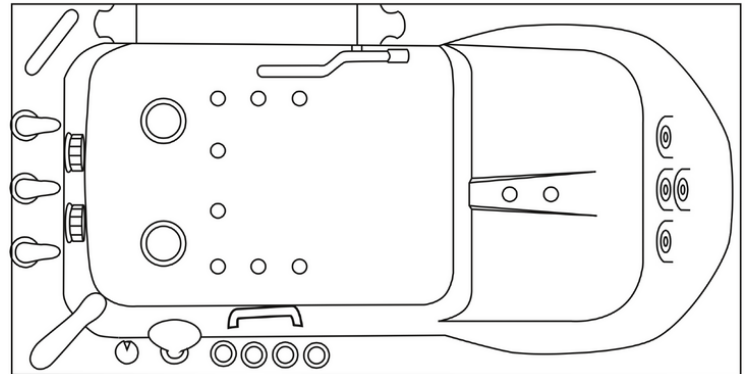
Net Weight: 212LBS • (96.17Kg)

Shipping Weight: 286LBS • (129Kg)

Seat Width: 19.5" • (49.53cm)

Unoccupied Water Capacity: 80gal • (303.84L)

Occupied Water Capacity: 60gal - 75 gal • (227.13 - 283.91L)



Included Features: Air + Hydro Massage + LED Chromatherapy Light + Ozone Sterilization

1. Acrylic shell gloss white finish fiberglass gelcoat reinforced
2. Stainless steel frame with adjustable leveling legs
3. Inward swinging brushed stainless steel door with a frosted tempered glass.
4. Removable front apron with two access panels
5. One reversible end panel
6. Stainless steel chrome finish deck and wall-mounted grab bar
7. Two 2" 4-port PVC drains with 2 end caps included, 2 overflows, 2 stainless steel operated openers with extended handles in chrome finish

Air Massage

- Air Massage Pump 4.5A 500W
- 3 Speed Pump
- Auto-purge (Activates 20 minutes after pump shutdown)
- 16 jets (8 Seat Jets 8 Foot Jets)
- On/Off push control

Hydro Massage

- Hydro Massage Pump 5 to 7A
- Intensity Dial Air Control
- Ozone Sterilization 0.04A
- 16 jets (8 Seat Jets 6 Foot Jets)
- On/Off Push Control
- In-line Water Heater 6A 650W

LED Chromatherapy Light

- LED Light Bulb 0.5A
- Transformer
- On/Off Push Control

5 Piece Faucet

- Up to 18GPM @ 60PSI (at ideal in-home plumbing conditions)
- Two 5' Water Supply Lines 3/4"
- Pull out Hand Shower in Chrome Finish with a 5' Retractable Stainless Steel Braided Hose

Optional Features

1. Heated Seat and Backrest

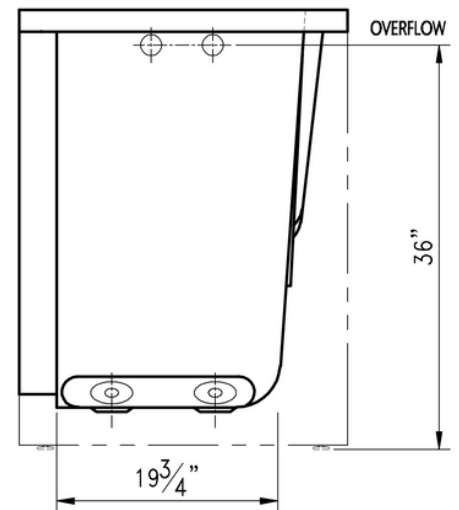
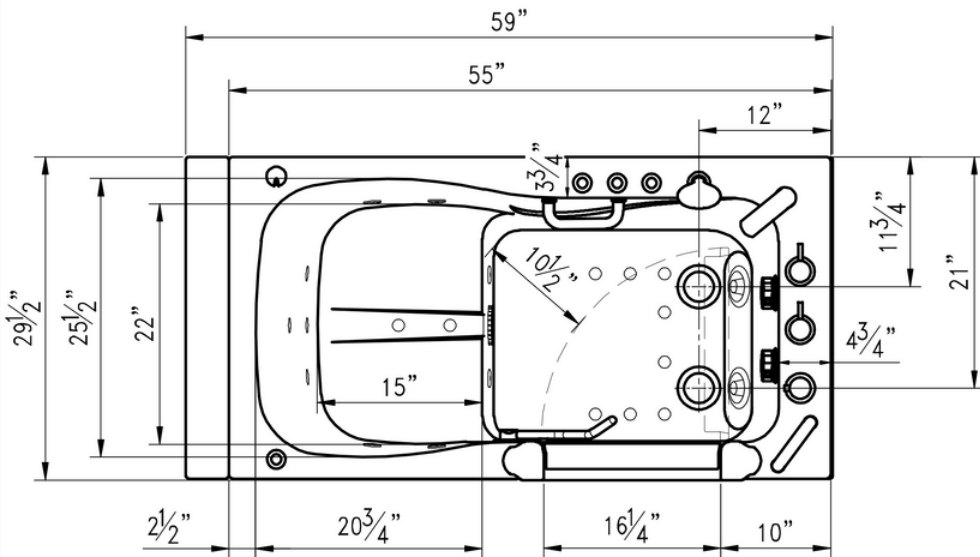
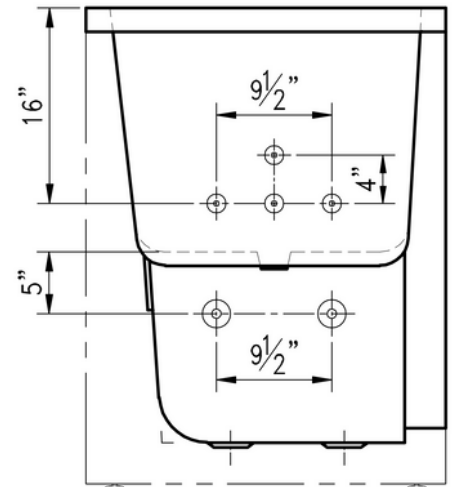
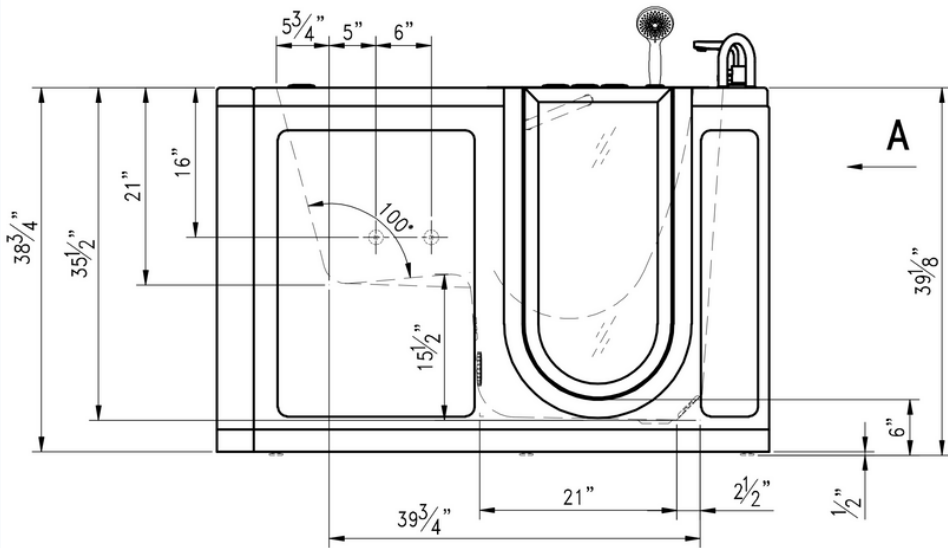
Electrical Requirements

Dedicated GFCI protected electrical line(s) required 110/120V 60Hz

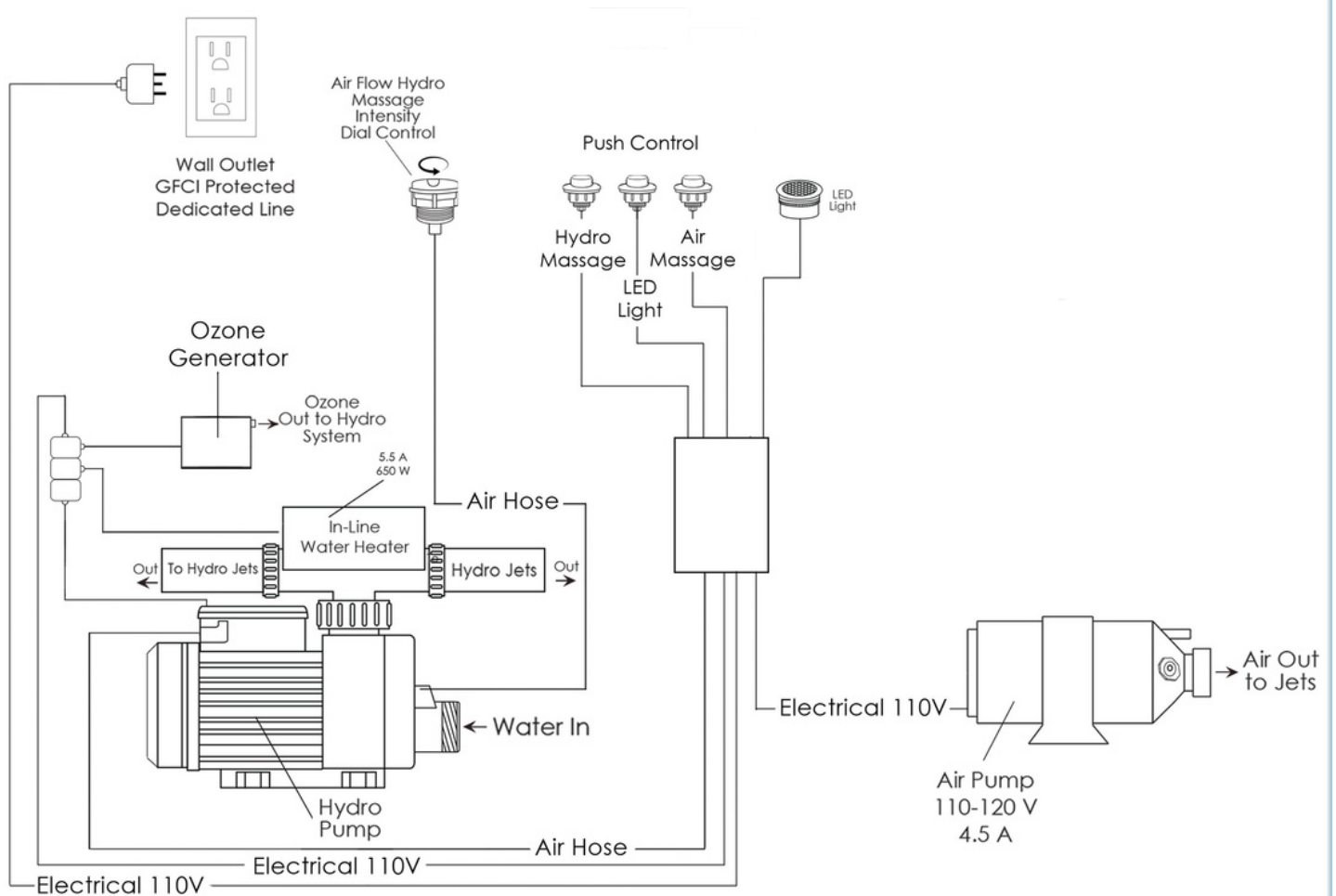
Warranty

- Lifetime limited* warranty on shell, frame, door, and parts to original purchaser/Address
- Labor or installation is not covered - please refer to the Ella warranty certificate
- Non Ella brand faucets covered under manufacturers original warranty

Deluxe -Inward Swing Door Walk In Bathtub Drawing with 2" Brass Dual Drain



Hydro Massage + Air Massage (Dual)



Package Jetting Information

1. Hydro Massage System 7AMP 1000W
Refer to technical drawing for jet count
Hydro Massage Air Flow Intensity Control
In-line water heater 5.5AMP 1000W
Ozone Sterilization

2. Air Massage System 4.5AMP 500W
Refer to technical drawing for jet count
3 Speed Pump
Autopurge (Activates 20 minutes after pump shutdown)

Electrical Requirements

One (1) dedicated 120V electrical line with a 20AMP GFCI standard three prong outlet is required