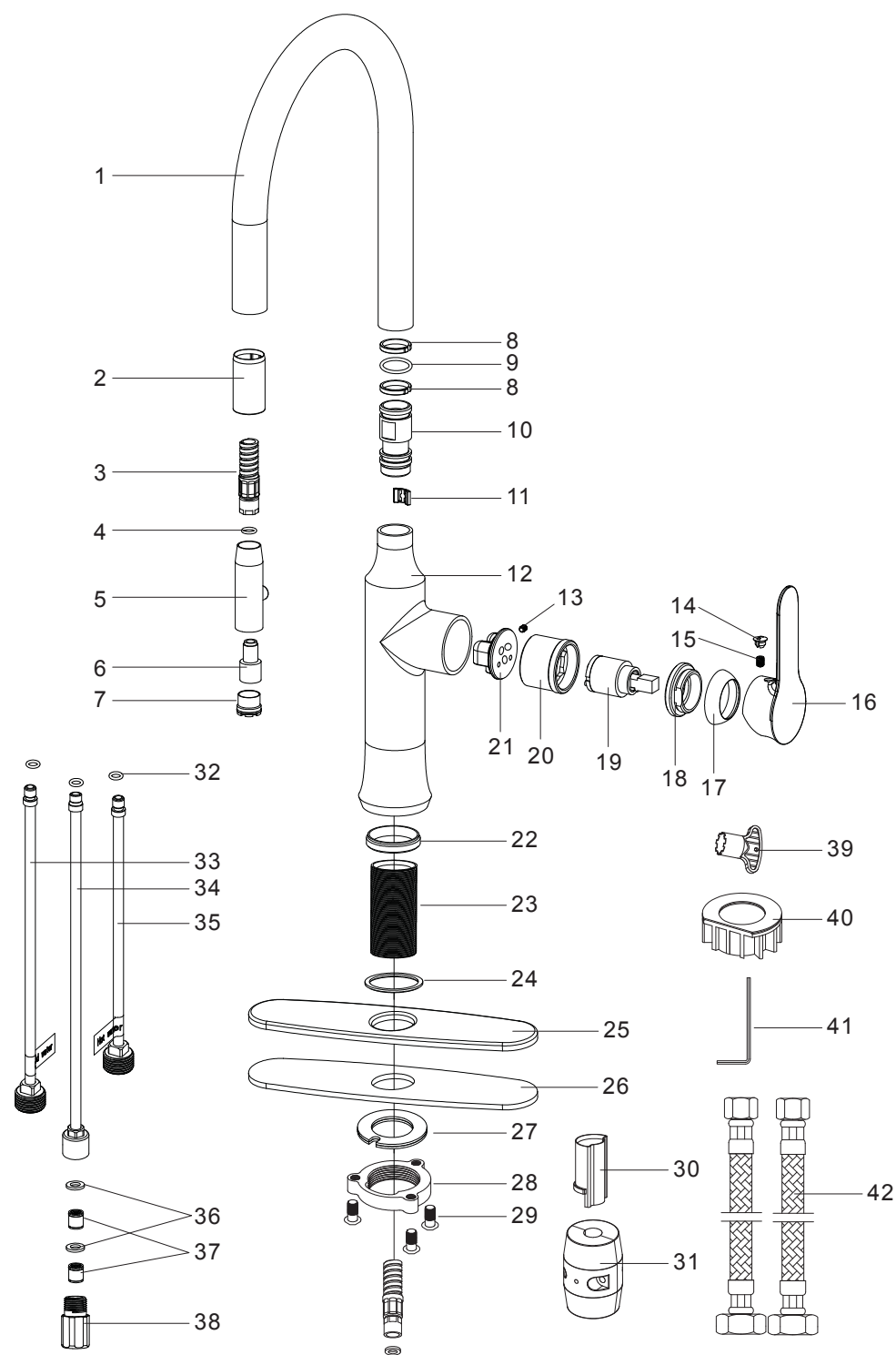
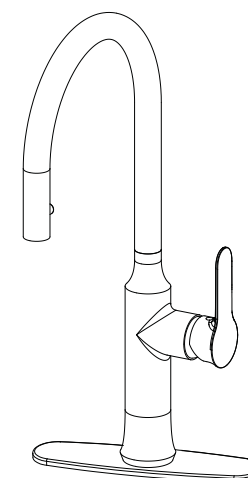


Step 4 Parts list



No.	Part Name
1	Spout
2	Hose guide
3	Hose
4	O-ring
5	Pull-out wand
6	Connector
7	Aerator
8	Ring
9	O-ring
10	Connector
11	Retainer
12	Body
13	Set screw
14	Handle button (Red/Blue)
15	Set screw
16	Handle
17	Trim cap
18	Lock nut
19	Cartridge
20	Cartridge housing
21	Cartridge base
22	Connector
23	Threaded shank
24	O-ring
25	Deck plate
26	Gasket
27	Gasket assembly
28	Lock nut
29	Screw
30	Protective sleeve
31	Weight
32	O-ring
33	Copper tube (Hot)
34	Outlet tube
35	Copper tube (Cold)
36	Washer
37	Check valve
38	Connector
39	Aerator wrench
40	Spacer
41	Hex wrench
42	Flexible hose

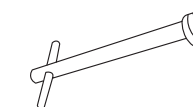


Pull-down Kitchen Faucet

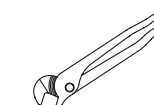


ASME A112.18.1/CSA B125.1

RECOMMENDED TOOLS



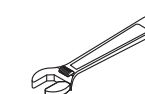
Basin wrench



Channel Locks



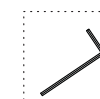
Goggles



Adjustable Wrench



Teflon tape



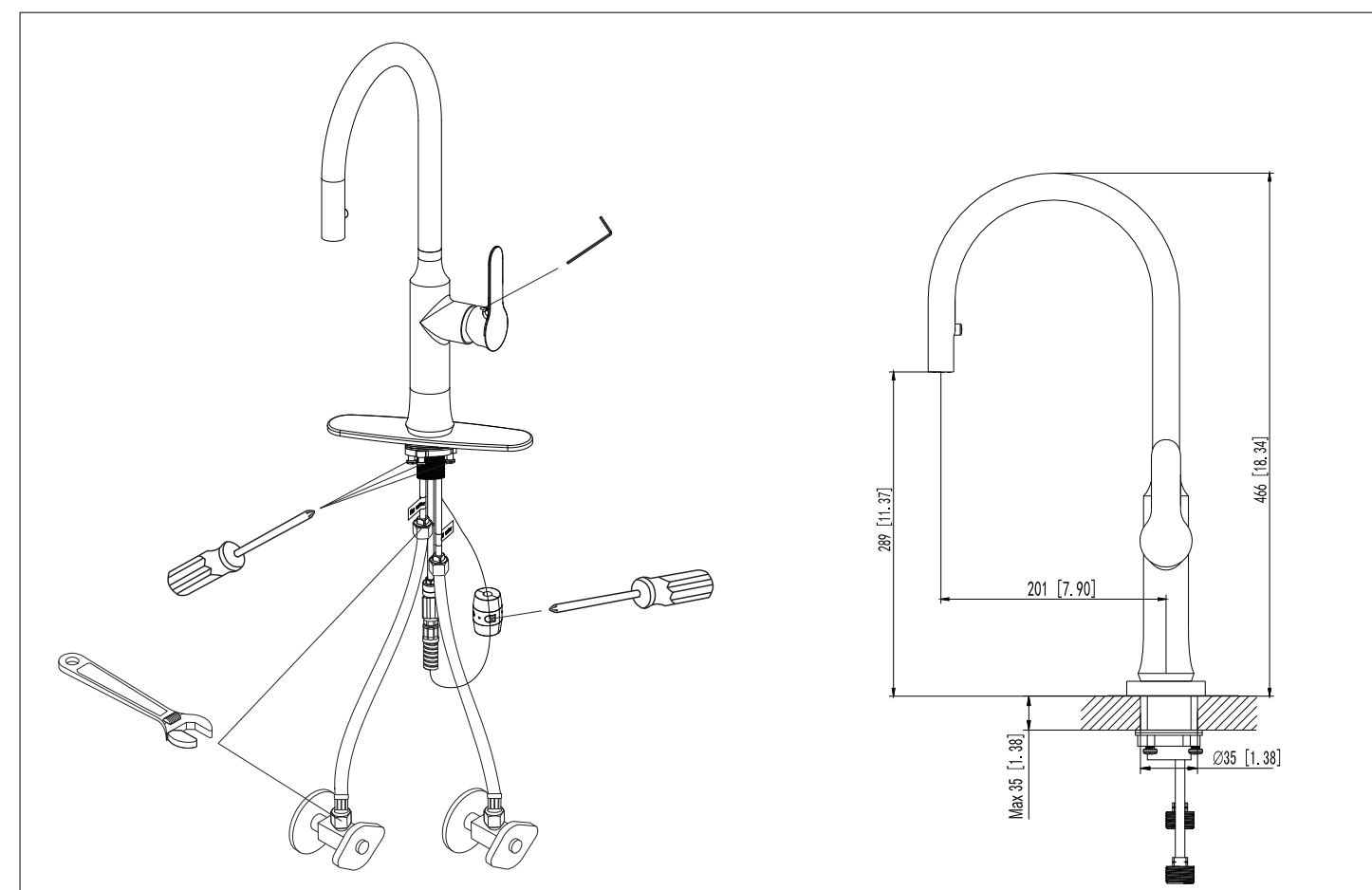
Allen key

! WARNING:
Please keep the
tool for future
use!

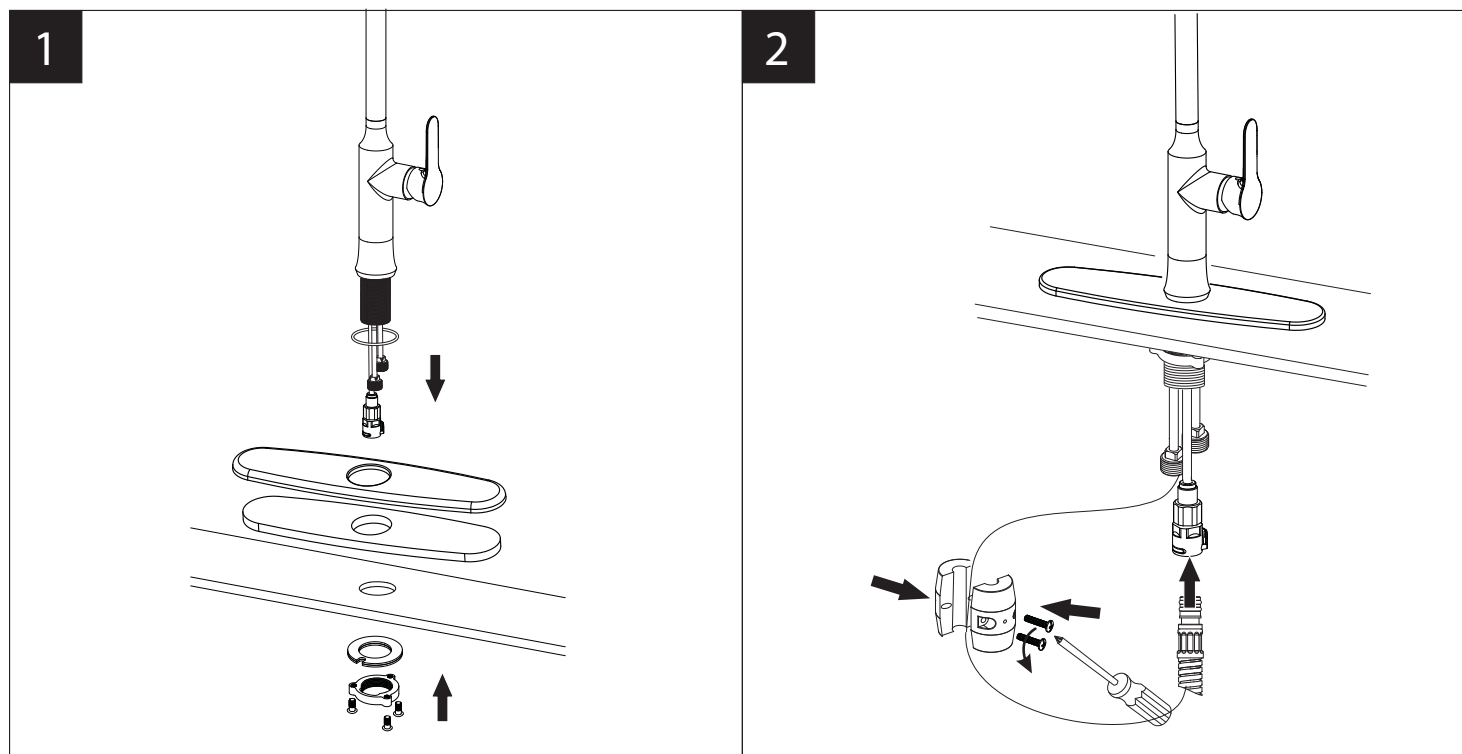


Attention:
for easy installation, you will need:
1. To read all the installation instructions completely before beginning.
2. To read all the warning, attention and maintenance information.
3. To purchase the proper supply lines.

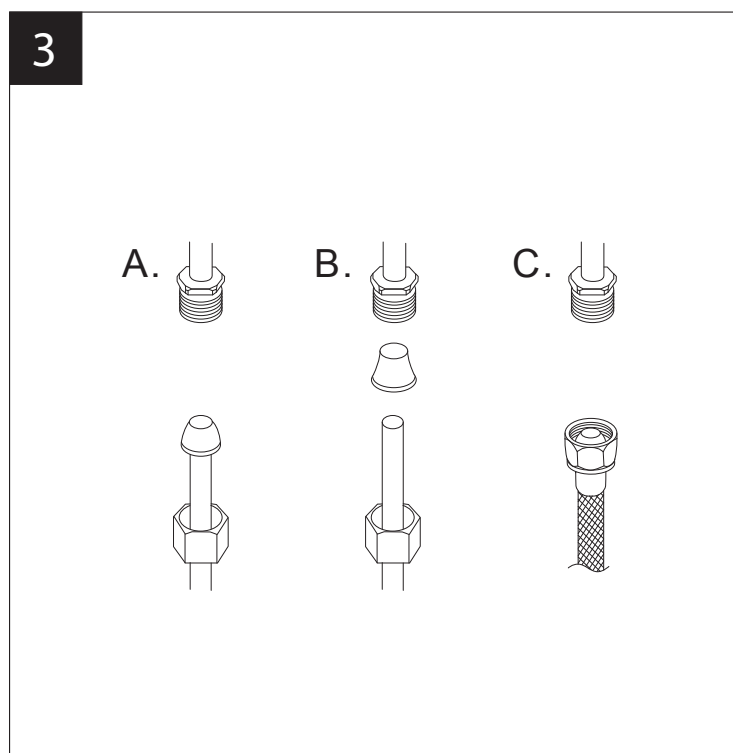
The tools might be applied to the following places:



Step 1 Faucet installation

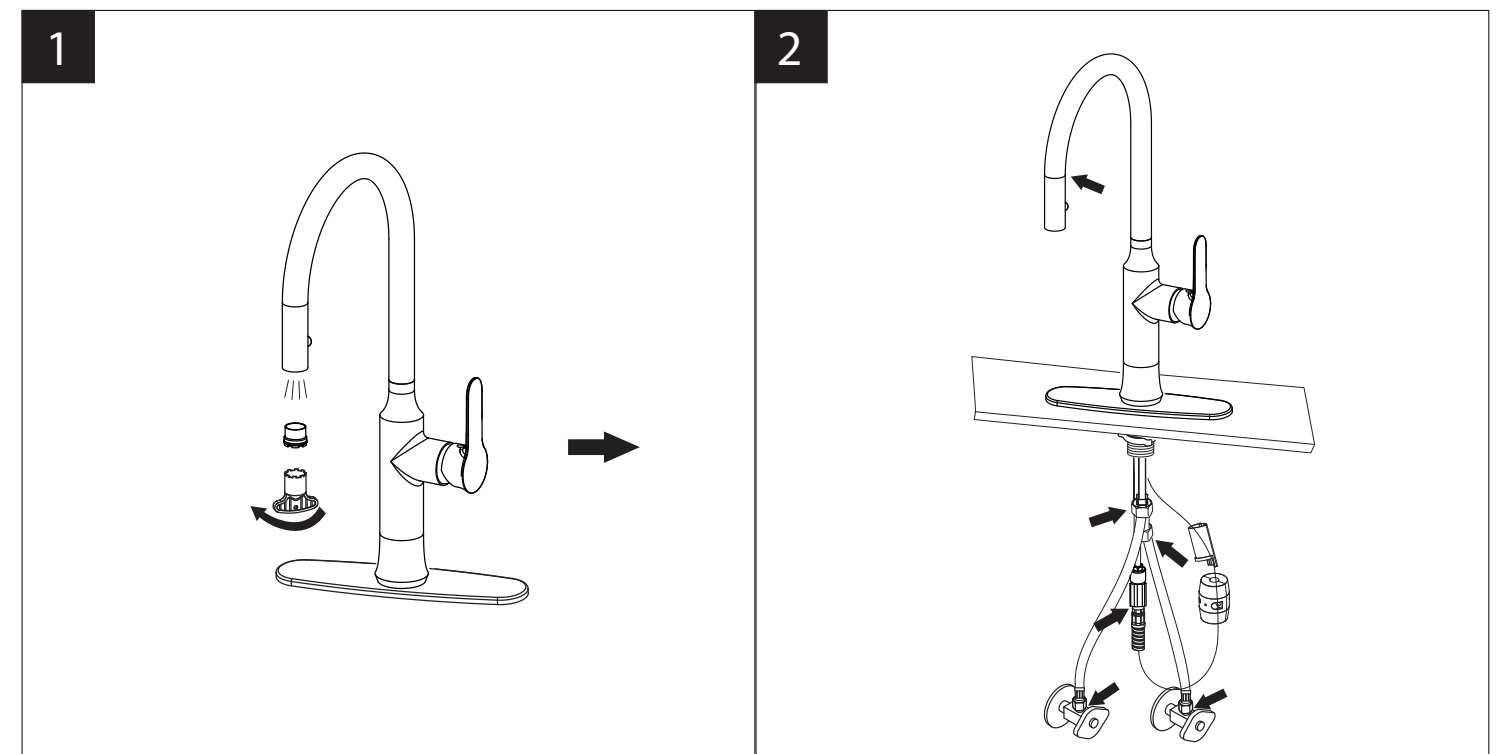


1. Position the faucet, deck plate and gasket in order on the counter top as shown. Don't forget the O-ring. Assemble gasket assembly and lock nut to faucet threaded sleeve by hand and tighten the screws with screwdriver.
2. Connect the shower hose to quick connect. **CAUTION: MAKE SURE THE HOSE IS PROPERLY ENGAGED AND SECURED IN THE QUICK CONNECT.** Dis-assemble the weight and put it on the shower hose. Then fix screws by screw driver.



3. Connect to water supply lines with either:
 - (A) 3/8" O.D. Copper tubing (ball nose risers with the coupling nuts) or;
 - (B) 3/8" Copper tubing (no ball) with supplied tube head interior connector or;
 - (C) IPS faucet connectors (1/2").

Step 2 Checking and testing



1. Remove the shower by aerator wrench. Turn the faucet handle all the way on, turn on hot and cold water supply and flush water lines for one minute. Reinstall shower by aerator wrench.
2. Check all connections at arrows for leaks, re-tighten it if necessary.



BUT DON'T OVERTIGHTEN

Step 3 Cleaning and care

Daily cleaning and care are required in order to keep the product shining and properly working.

- 1 Clean it with water and dry it with soft cloth.
- 2 Clean the product with gentle liquid or glass cleaner.
- 3 Don't use acid cleaner.
- 4 Don't clean with abrasive material, abrasive paper or knife.