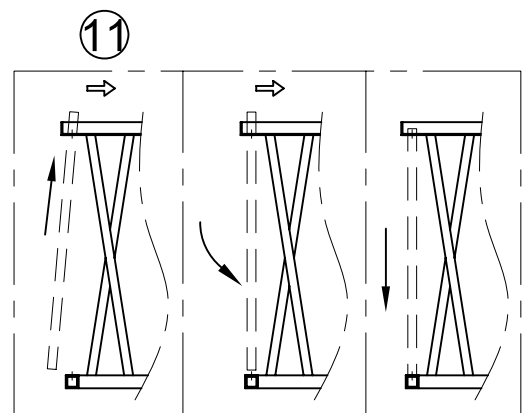
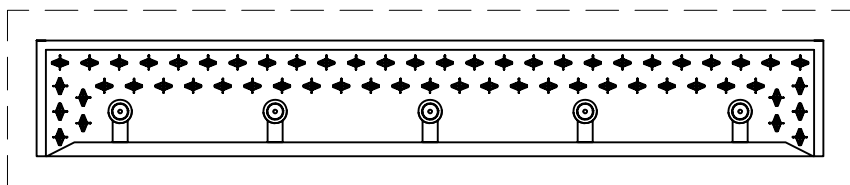
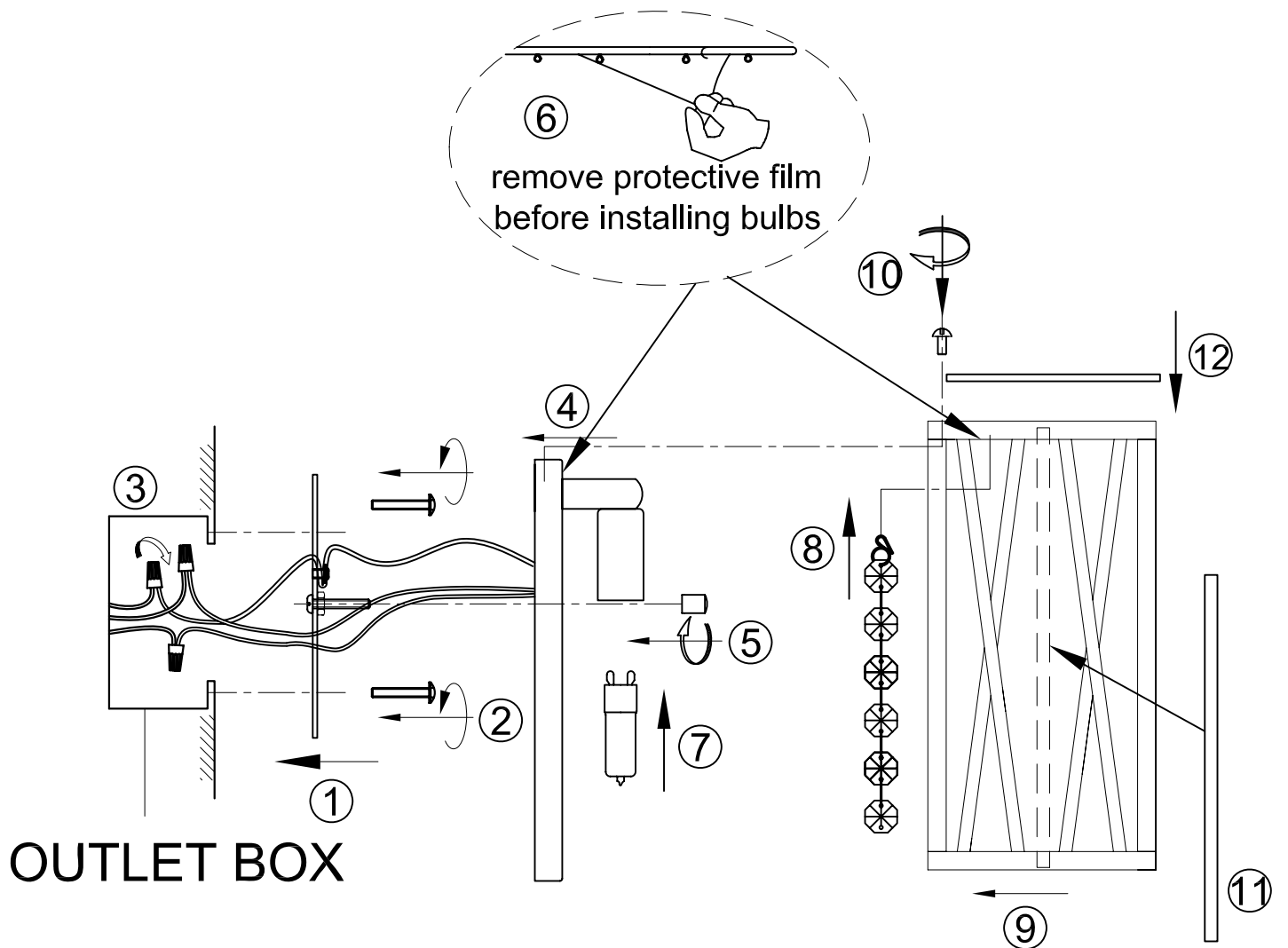


# INSTALLATION INSTRUCTION

Item No. : 872CH-5V



## FEATURE

- 120V ~ 60Hz
  - Lamp Type: "Xenon" G9 5 × MAX 40W
- The lamp is for indoor use only