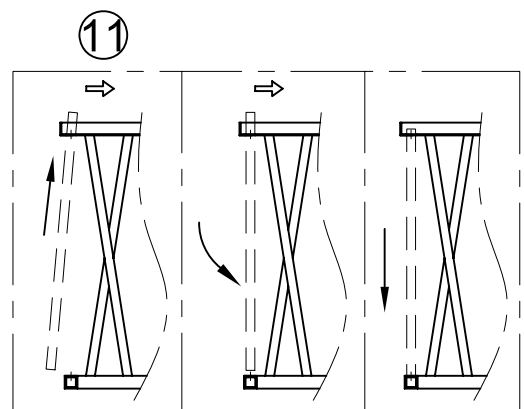
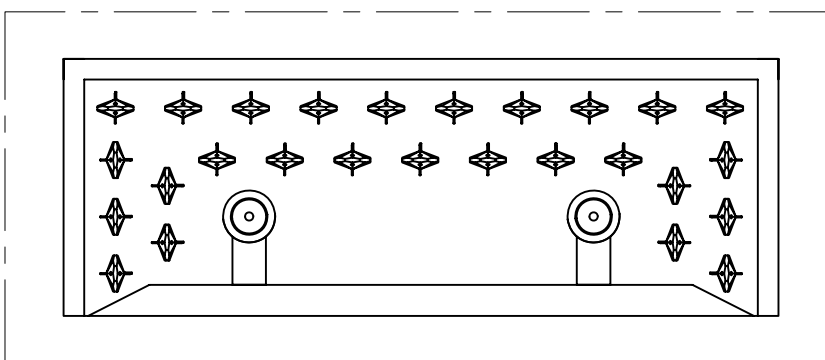
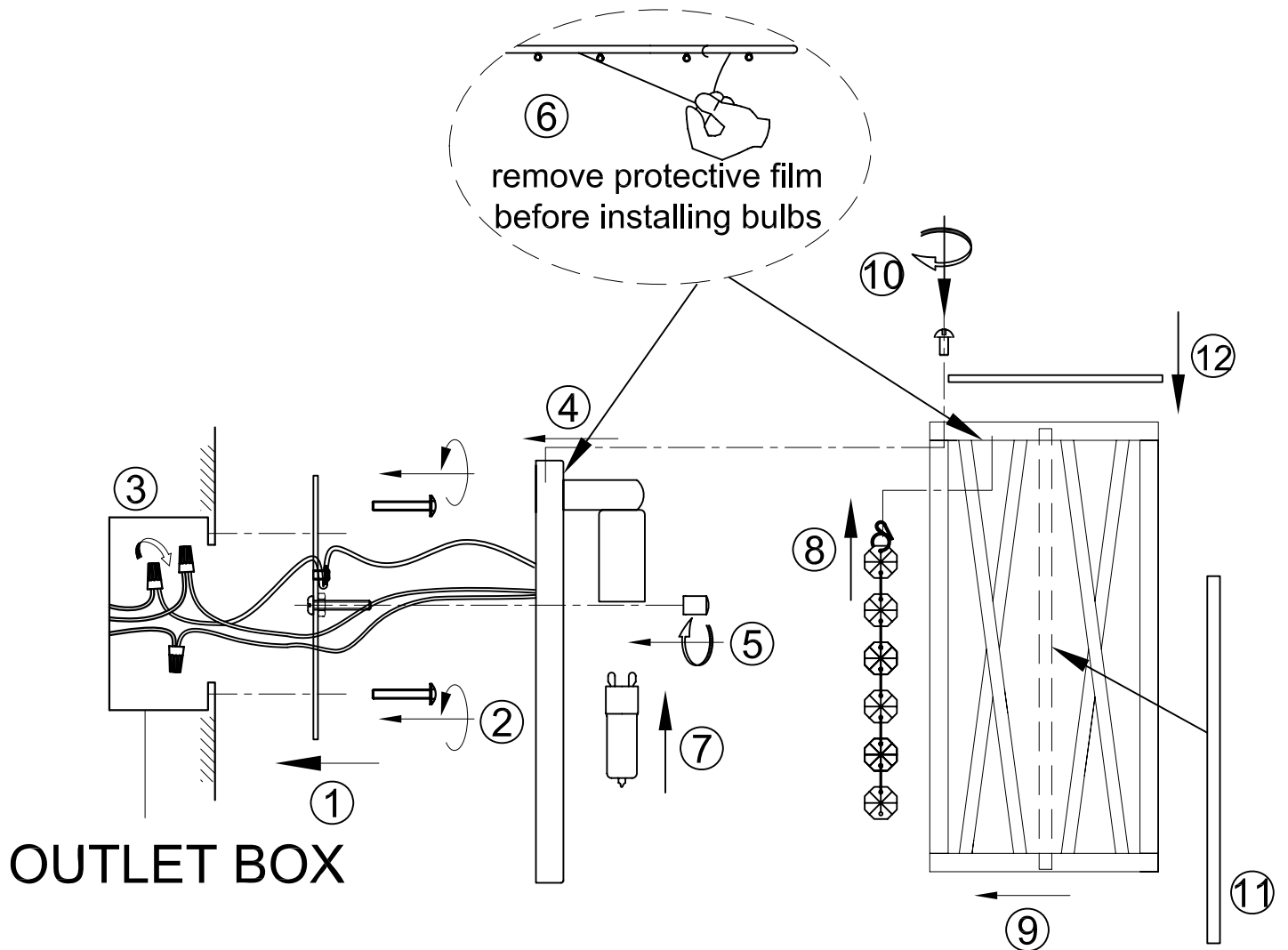


INSTALLATION INSTRUCTION

Item No. : 872CH-2V



FEATURE

- 120V ~ 60Hz
 - Lamp Type: "Xenon" G9 2 × MAX 60W
- The lamp is for indoor use only