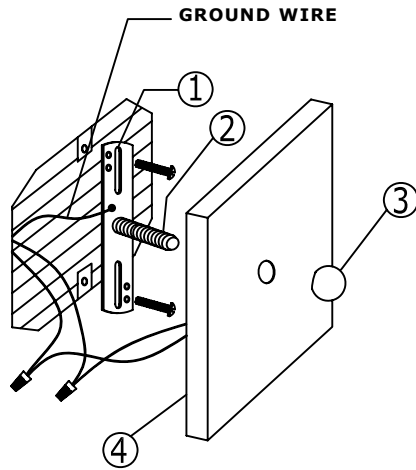
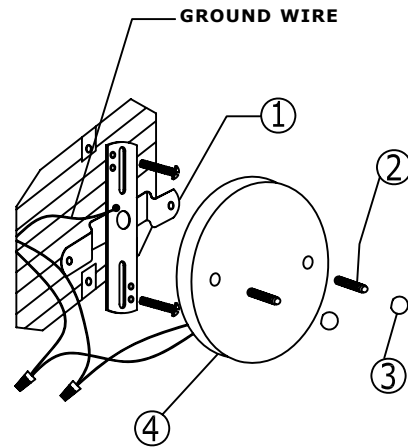


## INSTALLATION INSTRUCTION FOR WALL LAMP

1. PLEASE READ THE INSTRUCTIONS CAREFULLY BEFORE INSTALLATION OF YOUR LIGHTING FIXTURE.
2. REFERRING TO THE DRAWING BELOW, YOU HAVE TO DETERMINE THE TYPE OF FIXTURE WHICH YOU
3. HAVE PURCHASED "SINGLE STRAP MOUNTED" OR "SWIVEL STRAP MOUNTED" AND PROCEED ACCORDINGLY.



1. SINGLE CROSS BAR
2. THREADED NIPPLE
3. THREADED CAP
4. FIXTURE CANOPY



1. SINGLE CROSS BAR
2. THREADED SCREW PIN
3. BALL KNOBS
4. FIXTURE CANOPY

## INSTALLATION PROCEDURES

1. SWITCH OFF THE POWER SUPPLY TO THE OUTLET BOX ON WHICH YOU PLAN TO MOUNT THE LIGHTING FIXTURE (CAUTION DISCONNECT ALL POWER BEFORE SERVJCING)
2. FIX THE CROSS BAR TO OUTLET BOX BY USING EXISTING OUTLET BOX SCREWS
3. CONNECT FIXTURE WIRES TO HOUSE WIRES ENSURE THE RIGHT MATCHING AS WHITE, SECURE HOUSE GROUND WIRE TO THE CROSS BAR GROUND WIRE SCREW (CAUTION, MAKE SURE CONNECTIONS ARE SECURED, IN RIGHT POLARITY AND IN GOOD INSULATION)
4. MOUNT LIGHTING FIXTURE ACCORDING TO THE DRAWING ABOVE
5. CAULL WITH SILICON OR SIMILAR CAULKING SUITABLE FOR OUTDOOR USE
6. MAKE A COMPLETE SEAL AROUND FIXTURE CANOPY AND MOUNTING SURFACE

## INSTALLATION

1. REMOVE SOCKET RING FROM SOCKET.
2. POSITION GLASS ON LAMP AND SECURE WITH SOCKET RING.

7000-1S / 7000-2V

