

---

# Mirror Cabinet Wiring Diagram

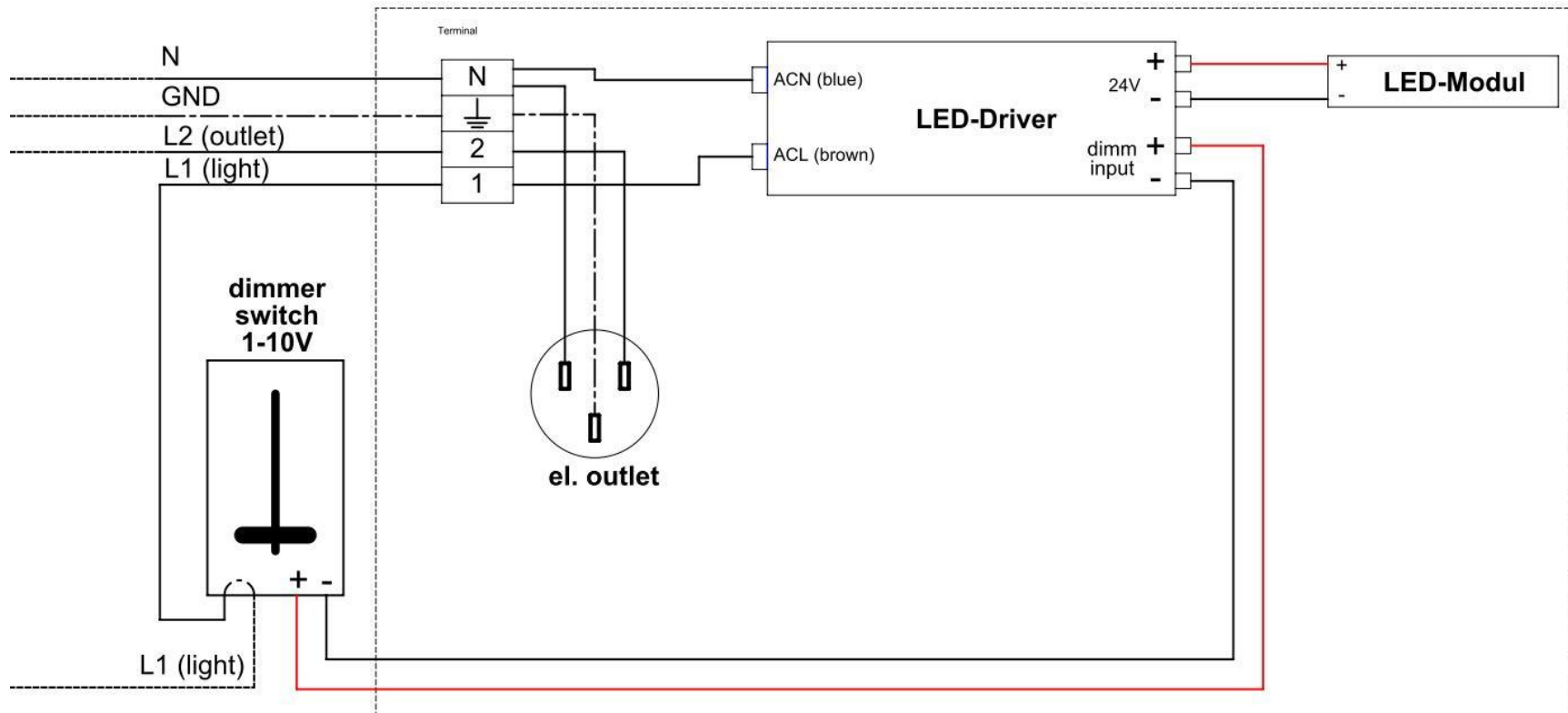
The wiring diagrams in this document apply to following SIDLER® collections:

- **LED**
- **DIAMANDO-LED**
- **QUADRO**
- **SIDELIGHT**
- **XAMO (Deluxe version only)**

## **Important**

- The cabinet requires wiring to a 0-10-Volt low voltage dimmer switch for the dimming function to work. (Dimmer switch not provided by SIDLER)
- The dimming function requires additional low voltage wiring.
- All low voltage wires require the same length to achieve an equal dimming level if multiple cabinets are controlled by one dimmer switch.
- Multiple cabinets require parallel wiring if controlled by one switch.
- The installation must be performed by a qualified licensed electrician.

# Single-Unit Wiring Diagram



# Multi-Unit Wiring Diagram

