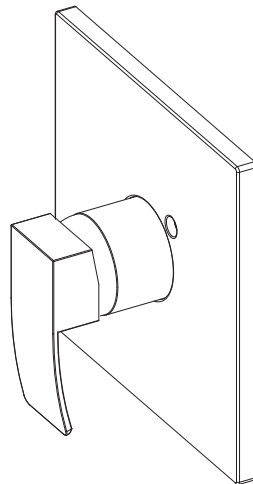
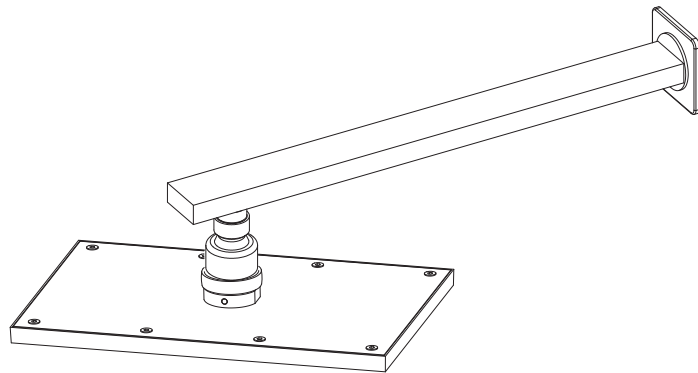




ANZZI™

VIACE SERIES

INSTALL GUIDE



Model #
SH-AZ041

PERFECTION IS OUR TRADITION™

TABLE OF CONTENTS

Parts List	Pg. 1
Before You Start	Pg. 2
Spec Drawing	Pg. 3
Installation	Pg. 4
Care & Maintenance	Pg. 11
Warranty	Pg. 12
Registration	Final Page

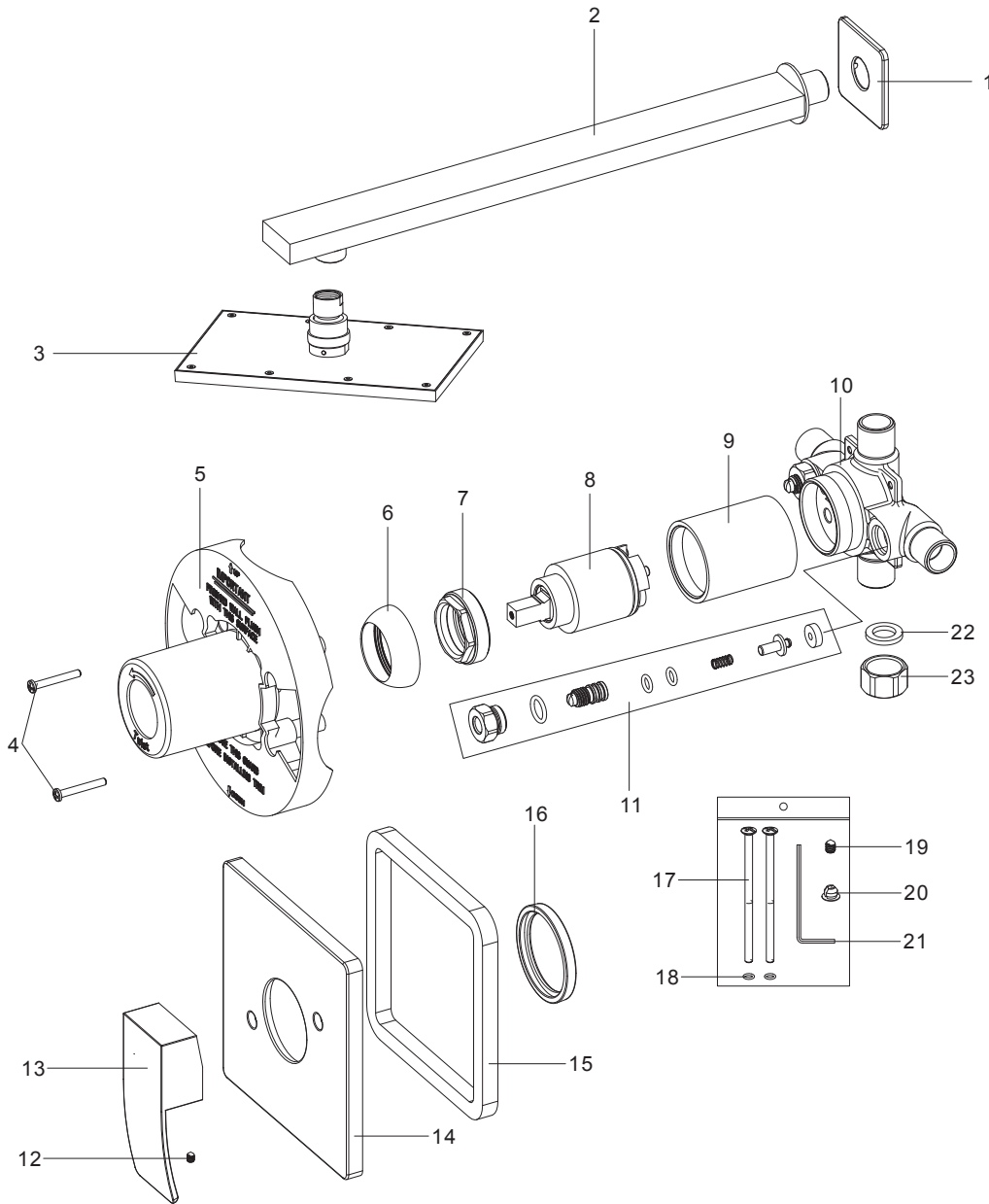
YOUR REVIEWS MATTER!



The ANZZI™ Family thanks you for your purchase and hopes you enjoy your very own ANZZI product for years to come! In the meantime let us know about your experience? We would love to hear your thoughts from the packaging to the quality and function of the product.

Also, we humbly request submitting as many pictures as possible along with your review. Millions of shoppers will want to know about your experience with our products. Don't just tell but show, too!

PARTS LIST



NO.	PARTNAME
1	Flange
2	Shower arm
3	Shower head
4	Screw
5	Protect cover
6	Trim cap
7	Cartridge locknut
8	Cartridge
9	Sleeve
10	Body
11	Check valve
12	Screw
13	Handle
14	Trim plate
15	Joint
16	Joint
17	Screw
18	O-ring
19	Screw
20	Index
21	Allen key
22	Washer
23	End cap

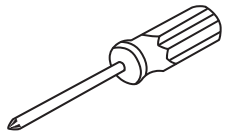


ASME A112.18.1/CSAB125.1

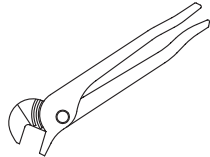
PERFECTION IS OUR TRADITION™

BEFORE YOU START

Recommended Items



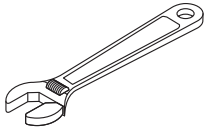
Screwdriver



Channel Locks



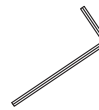
Goggles



Adjustable Wrench



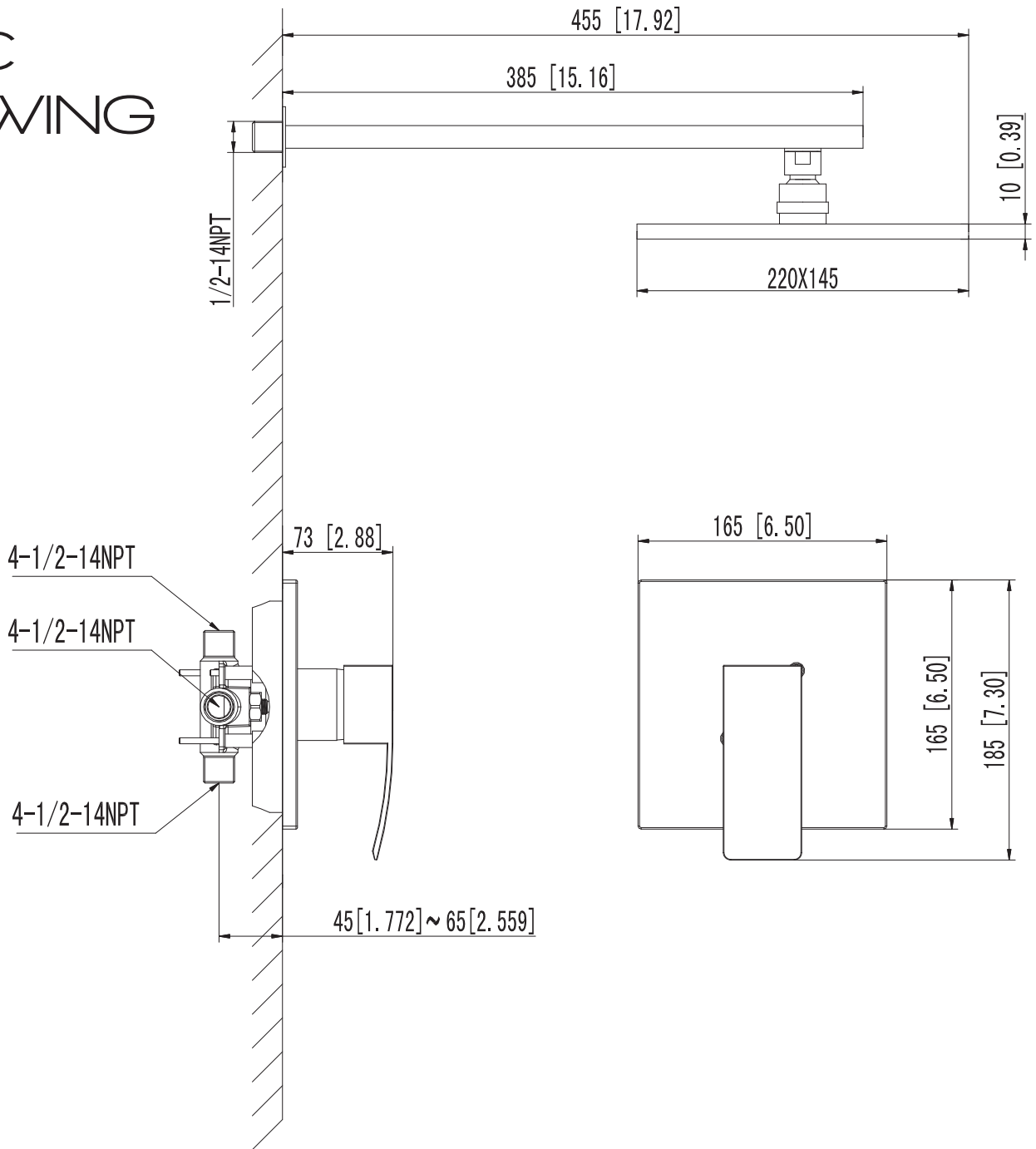
Teflon tape



Allen key

ATTENTION: Please read all instructions thoroughly including all warnings, attentions and notes before beginning installation.

SPEC DRAWING

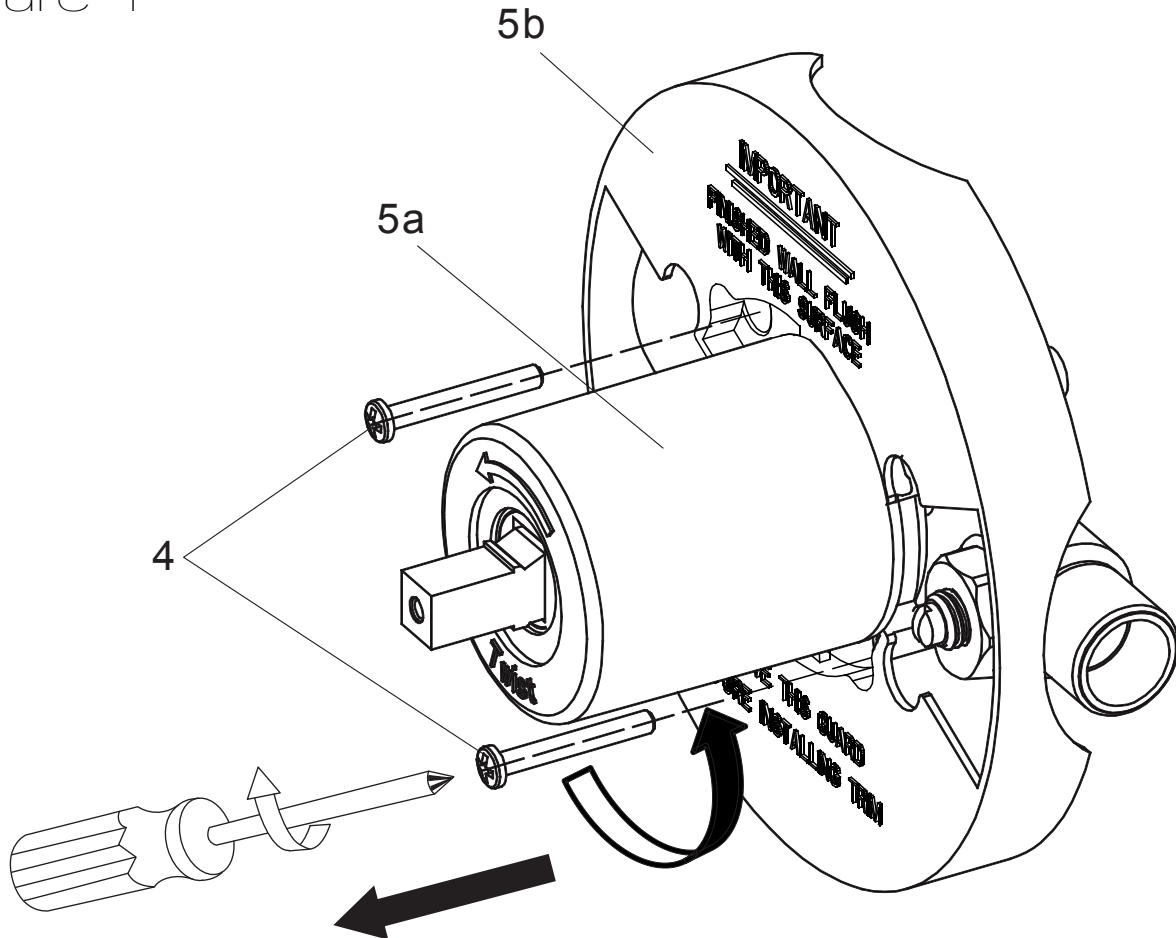


mm
[inches]

PERFECTION IS OUR TRADITION™

INSTALLATION

Figure 1

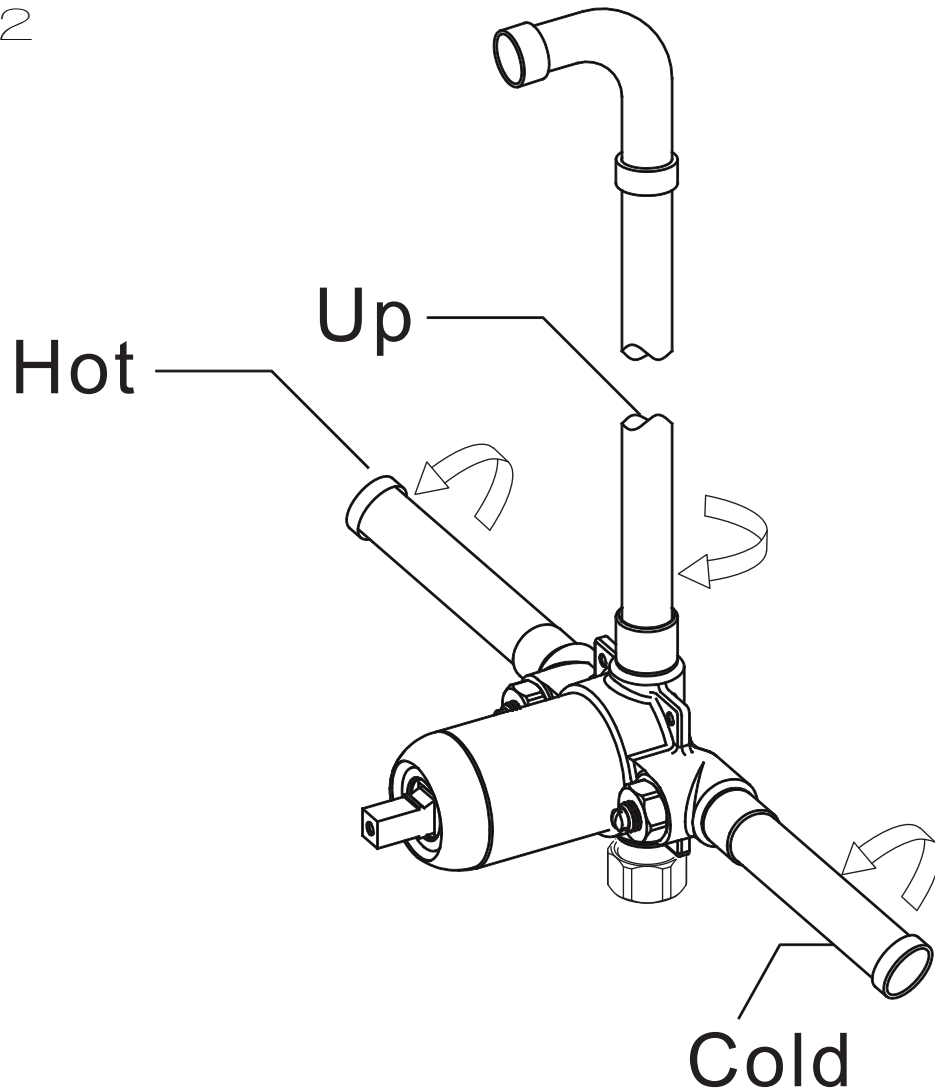


- Step 1A** Remove the protective covers (5a) by turning counter clockwise and sliding them out.
- Step 1B** Do not remove protective cover (5b) until you make sure the cover is flush with the finished wall.
- Step 1C** Using a Phillips screwdriver, unscrew and remove the two screws (4).
- Step 1D** Now remove the remaining protective cover (5b).

PERFECTION IS OUR TRADITION™

INSTALLATION

Figure 2

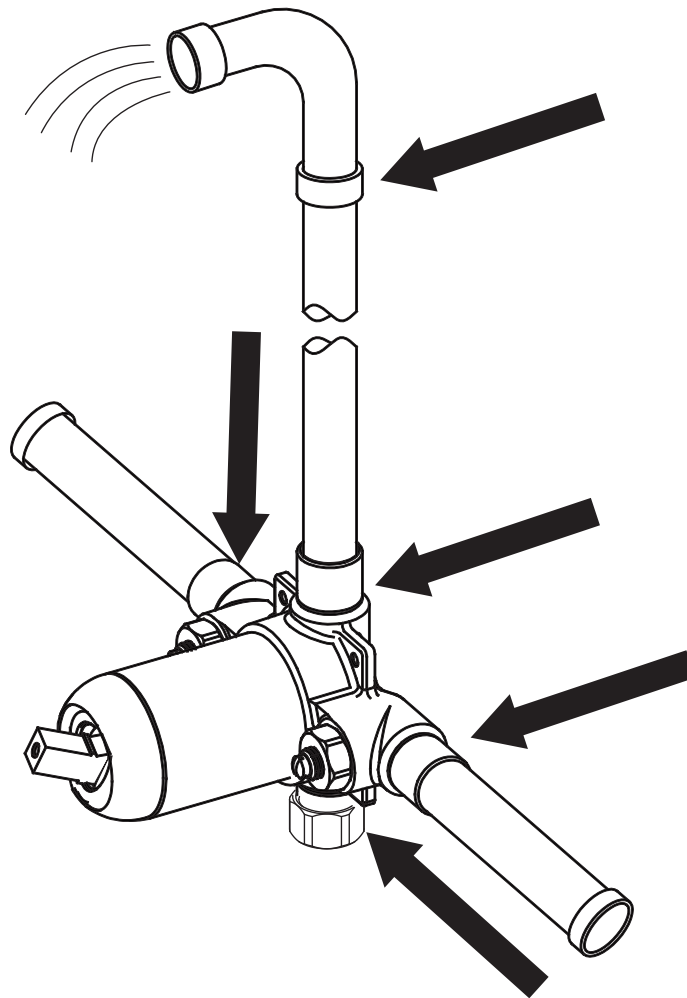


Step 2A Connect all plumbing lines to the faucet valve as shown.

Step 2B Make sure the hot and cold supply lines are connected to the pertaining sides.

INSTALLATION

Figure 3



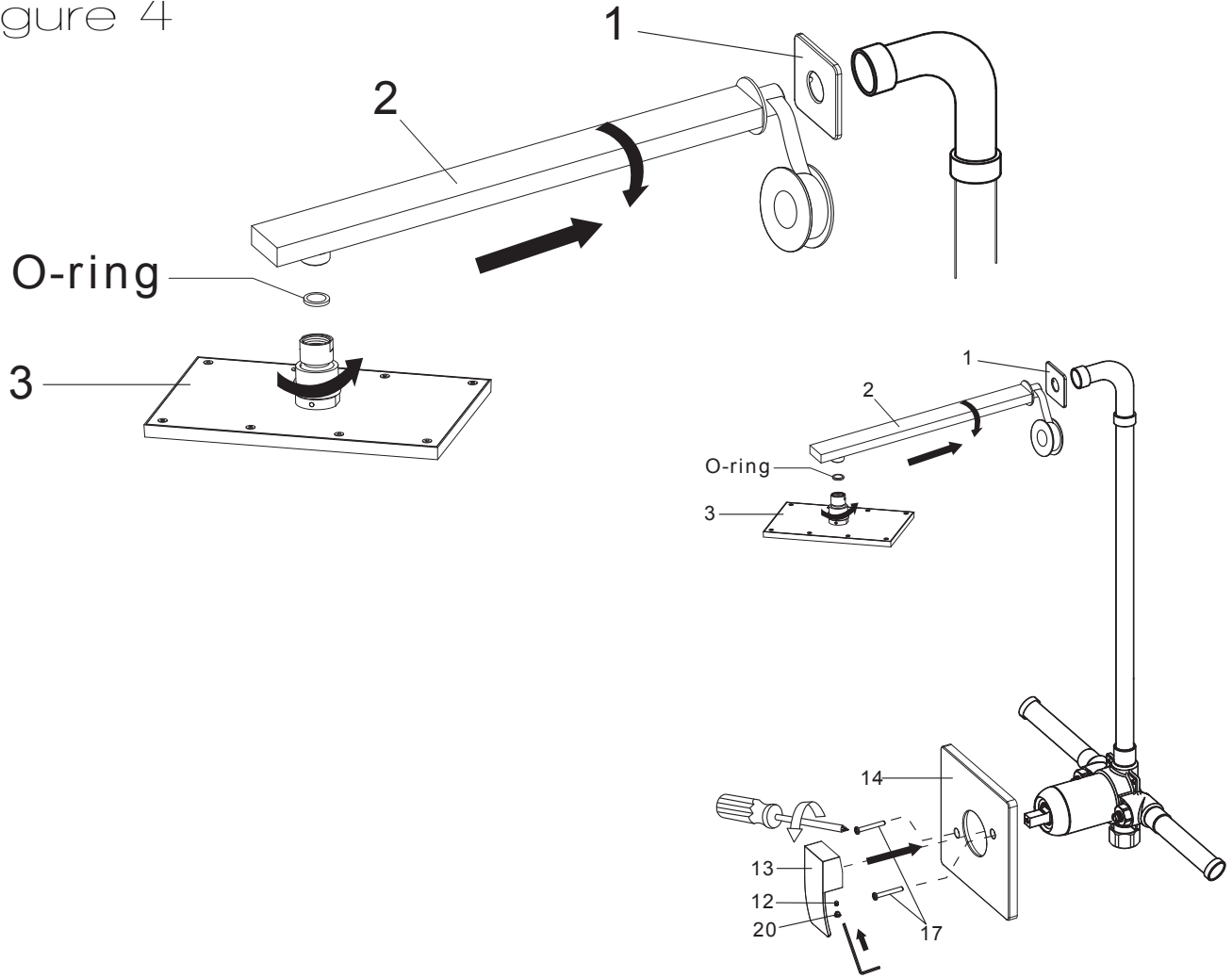
Step 3A Turn on water and allow it to run for 1-2 minutes.

Step 3B Check all connections and confirm there are no leaks before proceeding.

PERFECTION IS OUR TRADITION™

INSTALLATION

Figure 4



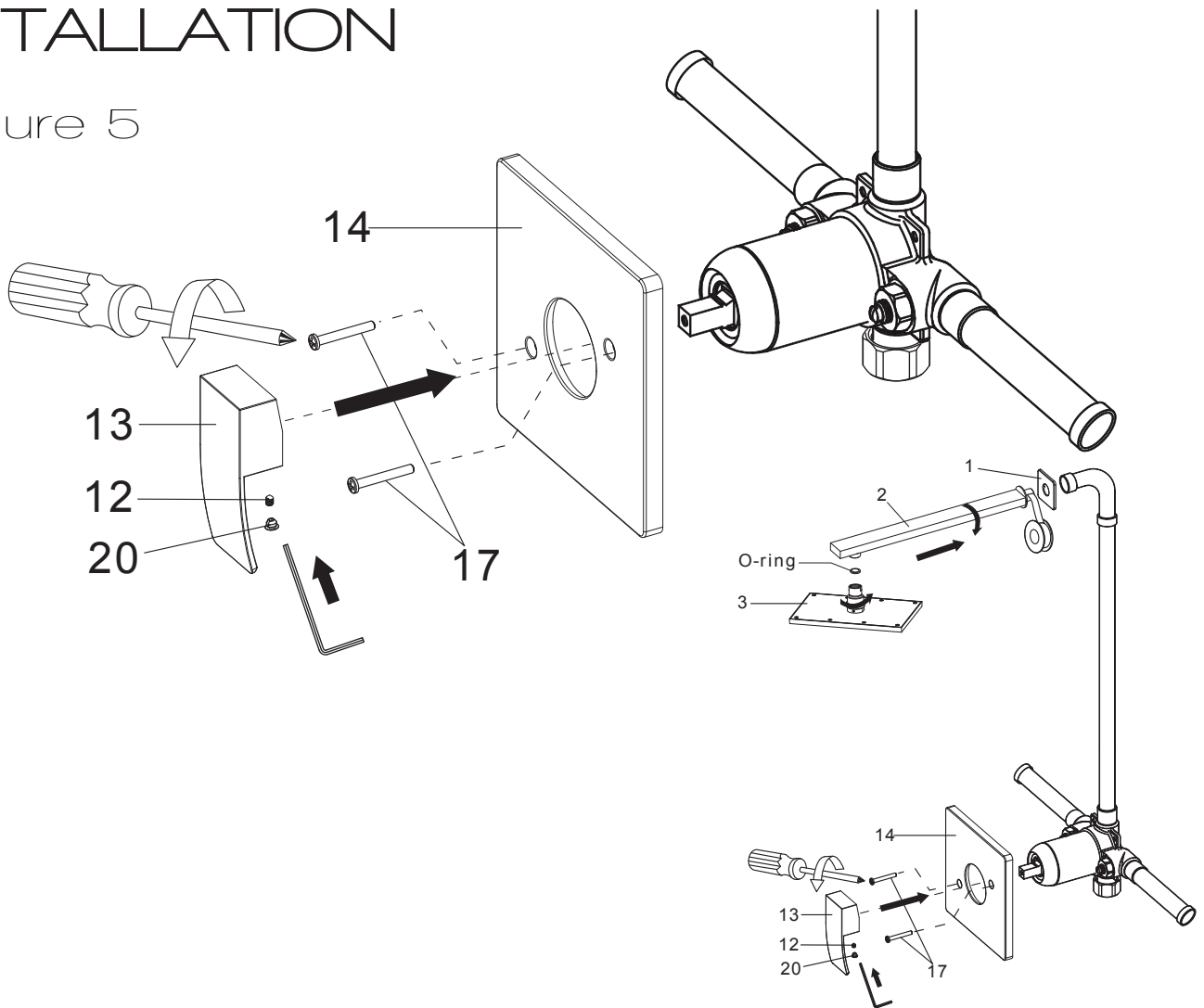
Step 4A Apply Teflon tape to the shower arm (#2) then place shower arm flange (#1) on shower pipe and screw shower arm to the pipe.

Step 4B After shower arm is in place screw the shower head (#3) onto the arm.

Important: Make sure the O-ring is placed in between the shower arm (#2) and the shower head (#3).

INSTALLATION

Figure 5



- Step 5A** Put the trim plate (#14) through the faucet valve then fasten it with screws (#17) and tighten using screw driver.
- Step 5B** Place the mixing valve handle (#13), secure with set screw (#12).
- Step 5C** Finally, insert the index (#20).

PERFECTION IS OUR TRADITION™

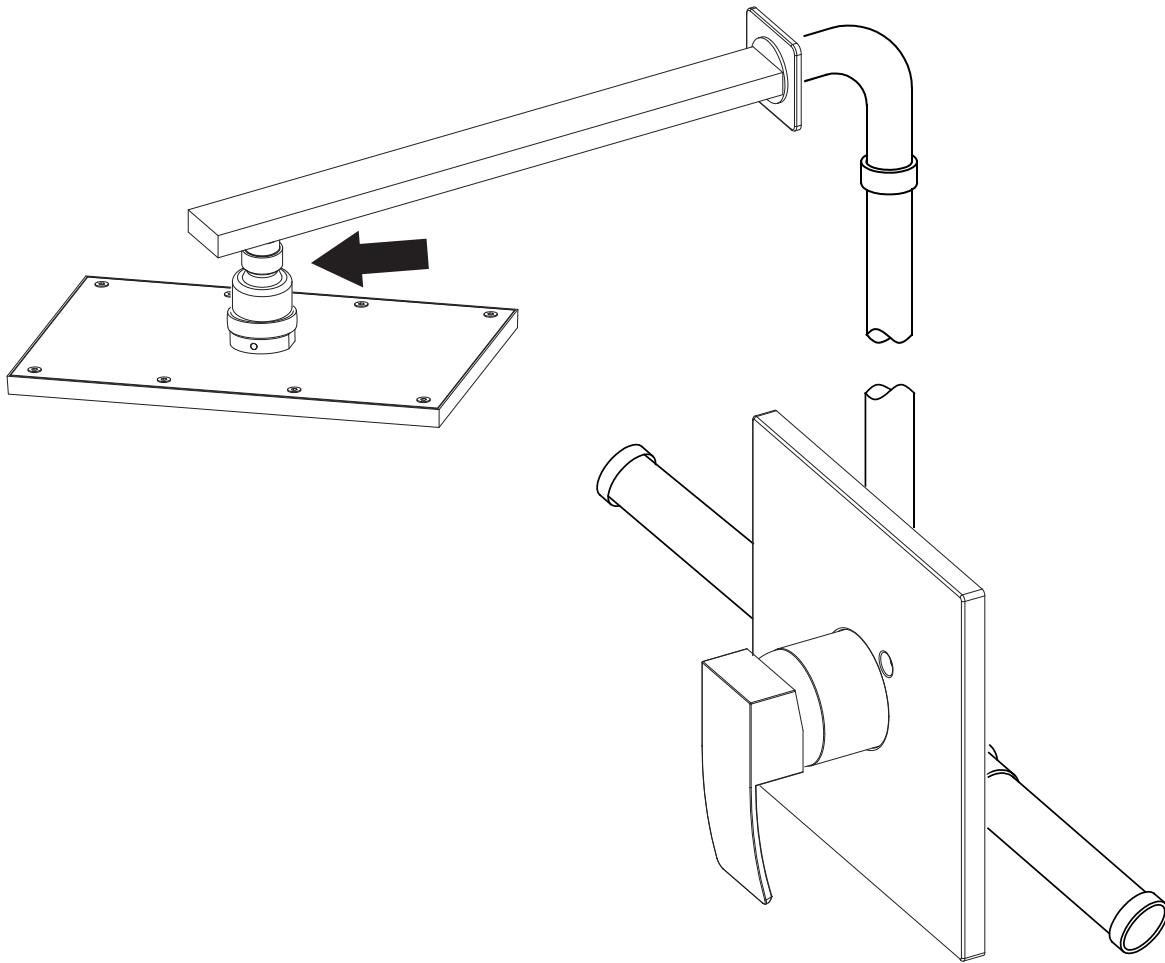
INSTALLATION

Blank Page

PERFECTION IS OUR TRADITION™

INSTALLATION

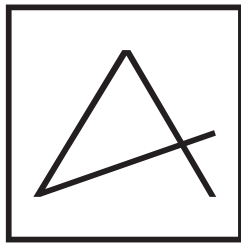
Figure 7



FINAL Check the connections pointed by the arrows for any kind of leaks and re-tighten if necessary.

Important: Please make sure not to over tighten.

PERFECTION IS OUR TRADITION™



ANZZI™

Perfection is our Tradition™