

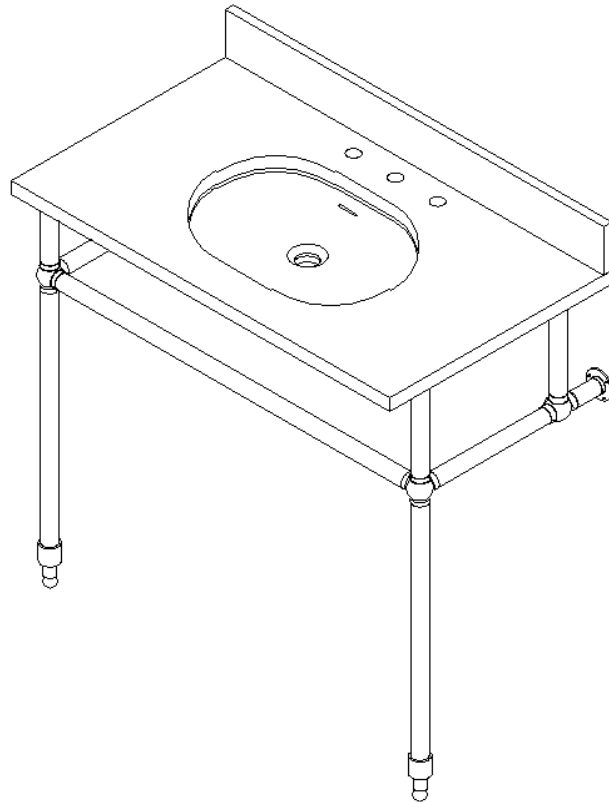
ANZZI®

Item: CS-CTRSS01WH  
CS-FRKD01\*\*

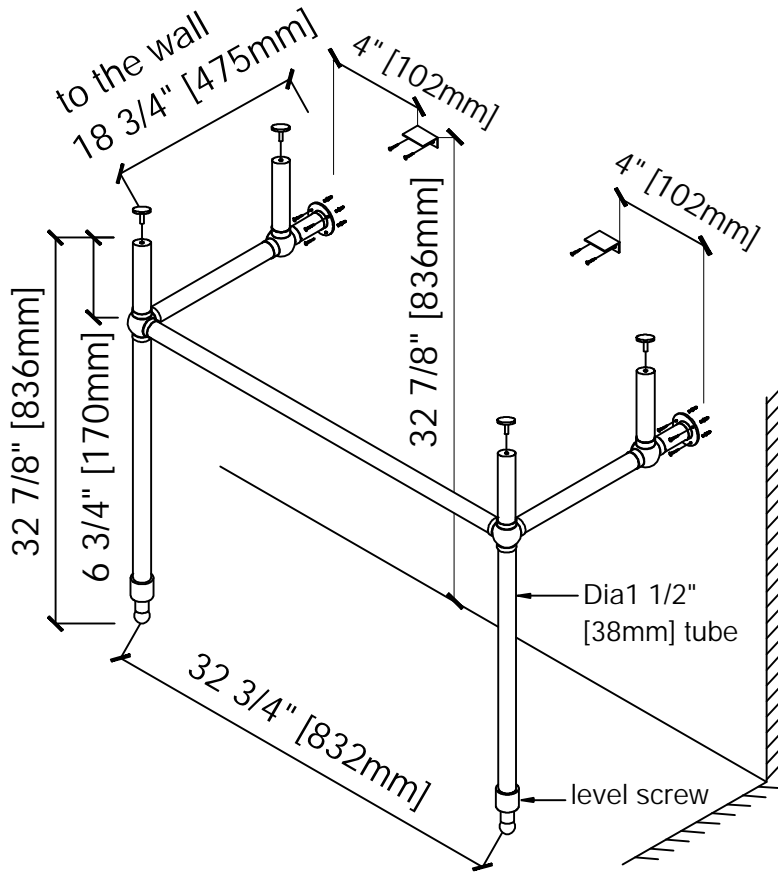
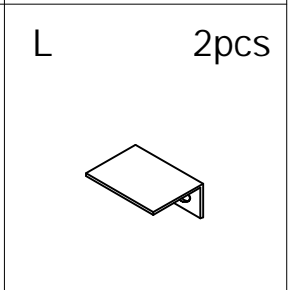
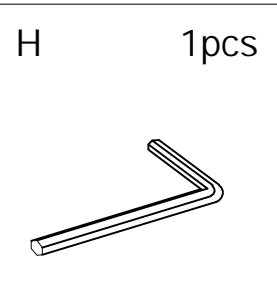
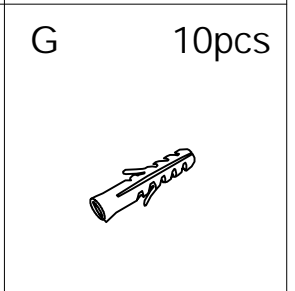
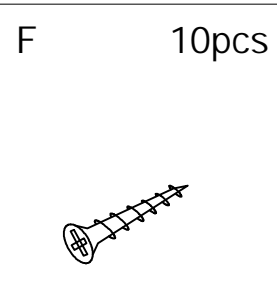
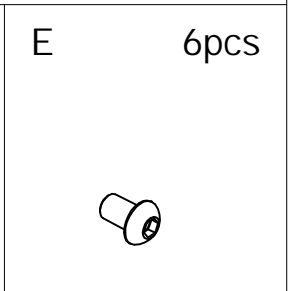
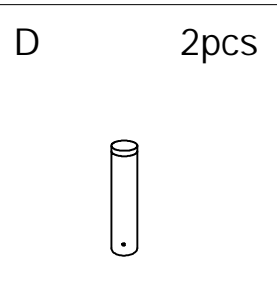
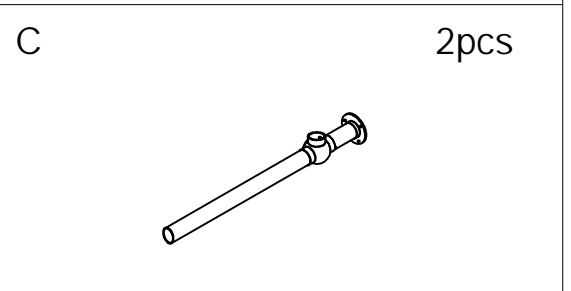
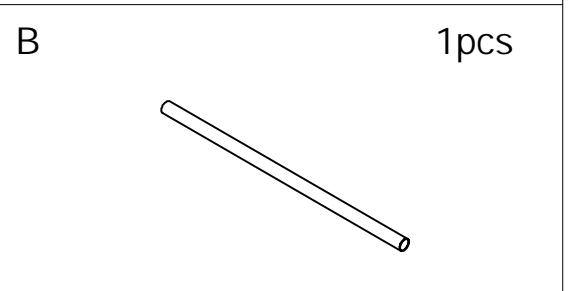
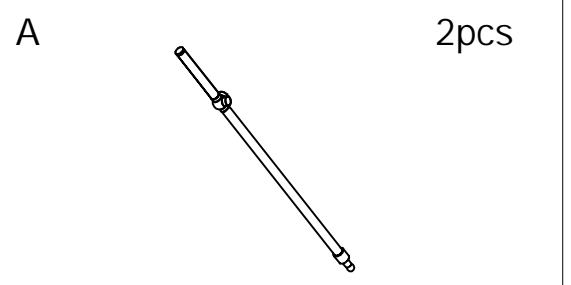
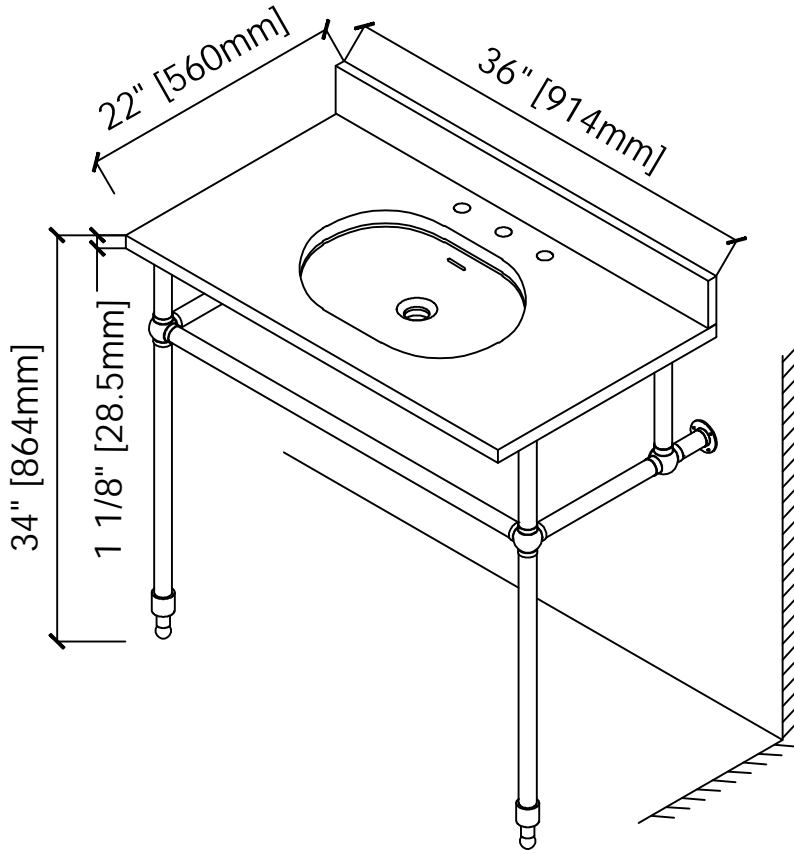
CONSOLE SINK

INSTALL & OPERATION MANUAL

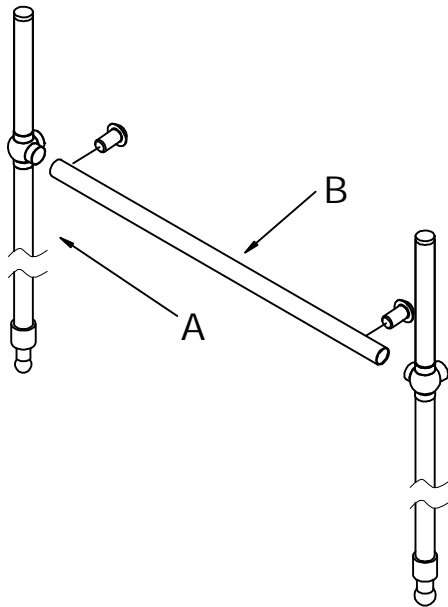
V1.0



Overall Dimensions	36"Lx22"Wx34"H
Basin Dimensions	18 1/8"Lx12 7/8"W
Water Depth	5 1/8"
Drain Hole	1 3/4"
Faucet Type	1 3/8"(three holes)

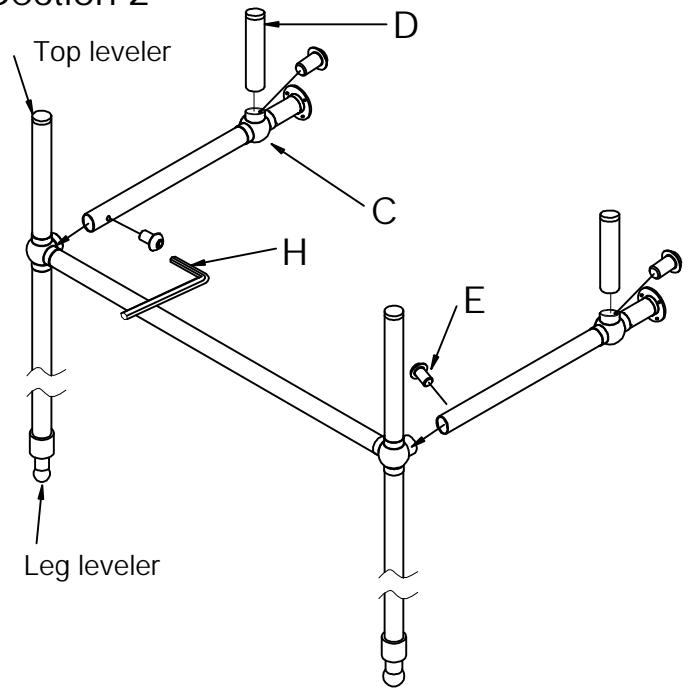


## Section 1



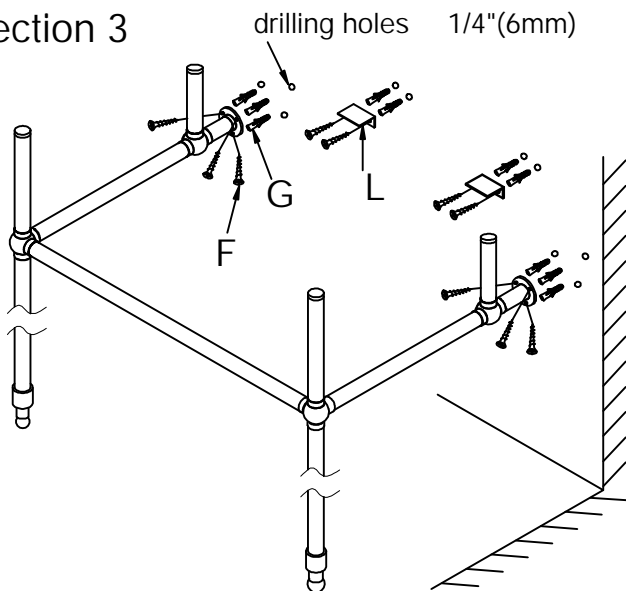
1. Connect front legs (A) and front crossbar (B).
2. Line up bolt holes where legs and crossbar connect.
3. Install the bolts but do not tighten them at this time.

## Section 2



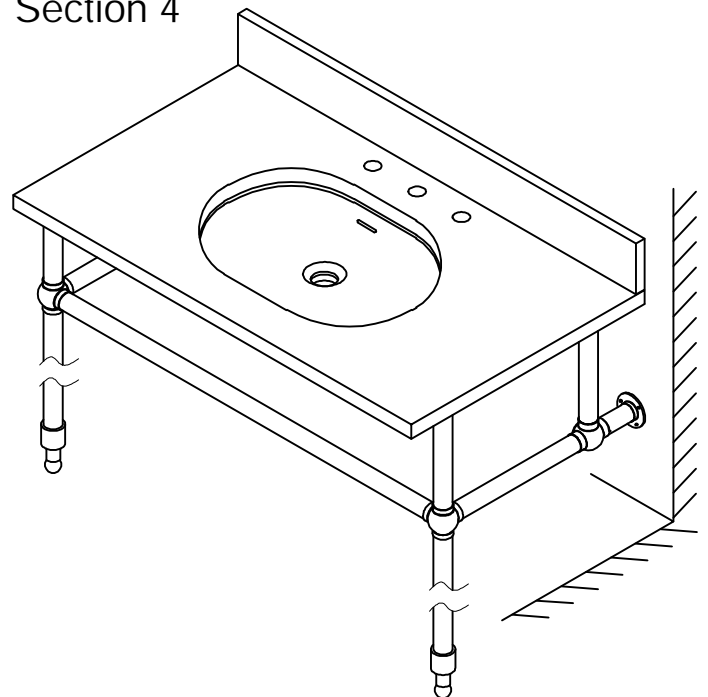
1. Connect the support bars (C) to the front legs (A).
2. Line up bolt holes where legs and support bars connect.
3. Install the bolts and tighten all bolts for all parts at this time.

## Section 3



1. Place the stand upright in the desired location and level using the height adjusters built into the bottom of the legs.
2. Use a pencil and the predrilled holes at the end of the support bars to mark location of mounting hardware on wall.
3. Drill holes for mounting hardware in the wall.
4. Insert anchors into the holes and secure the stand to the wall with the screws.
5. Use a pencil and the pre-drilled holes between the support bars to mark location of bracket (L), mounting bracket (L) on wall to support the sink.

## Section 4



1. Apply a thin coat of silicone adhesive to the back of the sink where it meets the wall.
2. Apply a thin coat of silicone adhesive to the stand's top frame where the sink will rest.
3. Carefully place the sink on the top frame of the stand and center it.
4. Allow silicone adhesive to dry for 24 hours.

Remarks: Silicone and tools are NOT included in the package.