

FP2 *Beaumont*

PREFABRICATED WOOD-BURNING FIREPLACE

INSTALLATION AND OPERATION MANUAL

Keep this manual for future reference



Valcourt
The Fireplace of Your Dreams

Safety tested according to ULC-S610,
UL-127 by an accredited laboratory

E.P.A. Standards Exempt

Manufactured by:
STOVE BUILDER INTERNATIONAL INC.
250, rue de Copenhague,
Saint-Augustin-de-Desmaures
(Quebec) G3A 2H3

After-sale service: 418-908-8002
E-mail: tech@sbi-international.com
valcourtinc.com



This manual is available for free download on the manufacturer's web site. It is a copyrighted document. Re-sale is strictly prohibited. The manufacturer may update this manual from time to time and cannot be responsible for problems, injuries, or damages arising out of the use of information contained in any manual obtained from unauthorized sources.

TABLE OF CONTENTS

INTRODUCTION	3
INSTALLATION	4
FIREPLACE INSTALLATION.....	7
CHIMNEY INSTALLATION	10
INSTALLATION INSTRUCTION FOR MASONRY APPLICATION	13
FIREPLACE FINISH.....	18
USE AND SAFETY.....	23
CREOSOTE	24
CHIMNEY FIRE SAFETY PROCEDURES	24
MAINTENANCE	24
REPLACING GLASS.....	25
REPLACING FIRESTONE IN AN BEAUMONT FIREPLACE	25
TROUBLESHOOTING.....	26
HEAT DISTRIBUTION SYSTEMS	27
GRAVITY DISTRIBUTION KIT.....	27
FORCED AIR DISTRIBUTION KIT.....	28
Exploded Diagram and Parts List FP2S06.....	30
Exploded Diagram and Parts List FP2D06	32
VIEWS WITH MEASUREMENTS.....	34
VALCOURT LIMITED LIFETIME WARRANTY	38

REGISTER YOUR WARRANTY ONLINE

To receive full warranty coverage, you will need to show evidence of the date you purchased your unit. Keep your sales invoice. We also recommend that you register your warranty online at

<http://www.valcourtinc.com/en/service-support/warranty-registration>

Registering your warranty online will help us track rapidly the information we need on your unit.

INTRODUCTION

This manual contains all the information required for safe, efficient installation and use of your Valcourt fireplace. Read carefully all the instructions contained herein and keep this manual handy so you may refer to it whenever necessary.

Before starting to install the fireplace, consult local authorities to obtain a construction permit and learn about all applicable regulatory requirements.

We recommend that our wood burning hearth products be installed and serviced by professionals who are certified in the United States by NFI (National Fireplace Institute®) or in Canada by WETT (Wood Energy Technical Training) or in Quebec by APC (Association des Professionnels du Chauffage).

Do not install this fireplace in a mobile home.

THE INFORMATION GIVEN ON THE CERTIFICATION LABEL AFFIXED TO THE APPLIANCE ALWAYS OVERRIDES THE INFORMATION PUBLISHED, IN ANY OTHER MEDIA (OWNER'S MANUAL, CATALOGUES, FLYERS, MAGAZINES AND/OR WEB SITES).

Figure #1: Beaumont Fireplace Dimensions

See Section: **Views with measurements** at the end of the manual.

INSTALLATION

Beaumont and Frontenac fireplaces are designed and approved for installation with the following brands of chimneys measuring 7" (178 mm) in diameter as well as a minimum of 15'(4.6 m) and maximum of 45' (13.7 m) in height.

CHIMNEY MANUFACTURER	BRAND	TYPE	INNER DIAMETER
Selkirk	Ultra-Temp (UT)	1" Solid Pack	7" (178 mm)
Selkirk	Super Pro (SPR)	1" Solid Pack	7" (178 mm)
Selkirk	Super Vent (JSC)	1" Solid Pack	7" (178 mm)
Selkirk	Hart & Cooley (TLC)	1" Solid Pack	7" (178 mm)
Selkirk	Sure-Temp (ST)	1" Solid Pack	7" (178 mm)
Selkirk	CF Sentinel (CF)	2" Solid Pack	7" (178 mm)
Selkirk	Super Pro 2100 (ALT)	2" Solid Pack	7" (178 mm)
Selkirk	Super Vent 2100 (JM)	2" Solid Pack	7" (178 mm)
Selkirk	UltimateOne	1" Solid Pack	7" (178 mm)
Security Chimney	ASHT+	1" Solid Pack	7" (178 mm)
Security Chimney	S-2100 +	2" Solid Pack	7" (178 mm)
M&G DuraVent	Dura Tech	1" Solid Pack	7" (178 mm)
M&G DuraVent	Dura Plus HTC	2" Solid Pack	7" (178 mm)
M&G DuraVent	Dura Plus	AC Triple Wall	7" (178 mm)
ICC	Excel 2100	1" Solid Pack	7" (178 mm)
Metal Fab	Temp Guard	1" Solid Pack	7" (178 mm)
American Metal	HSS	AC Triple Wall	7" (178 mm)
American Metal	HS	AC Triple Wall	7" (178 mm)
Olympia Chimney	Ventis	1" Solid Pack	7" (178 mm)

Install the fireplace strictly according to the methods described herein and ensure proper clearance is provided between the walls. Use only the parts and chimneys specified in this manual. **Any non-compliance with these directions could create a hazardous situation, thus voiding the certification and the warranty.**

ATTENTION: Do not modify or adapt the fireplace's construction or components. This would void the warranty. In this event, VALCOURT would not be held responsible for any damages which may occur.

No other device must be added to the chimney connected to the fireplace.

Choose the best location for your fireplace based on the position of the doors and windows. Provide for the positioning of the outside air inlet as well as the chimney. Remember to leave sufficient space for the hearth extension and mantel. If possible, install the fireplace where it will not be necessary to cut any floor or ceiling joists.

For optimal performance, install the chimney indoors if possible. In areas where temperatures are consistently below freezing (32°F/0°C), installing the chimney outdoors promotes functional problems such as insufficient draw, excessive creosoting, and difficult fire ignition. In addition, outdoor chimneys are subject to decreases in pressure and smoke flow reversal. Fireplaces with outdoor chimneys installed on lower floors (basements) are particularly prone to smoke flow reversal.

As for the chimney's configuration, there are several possibilities. See Figure #2 and 3 to determine the appropriate configuration for your home. The straighter the chimney, the easier it will be to clean and maintain.

Figure #2: Various Fireplace Locations

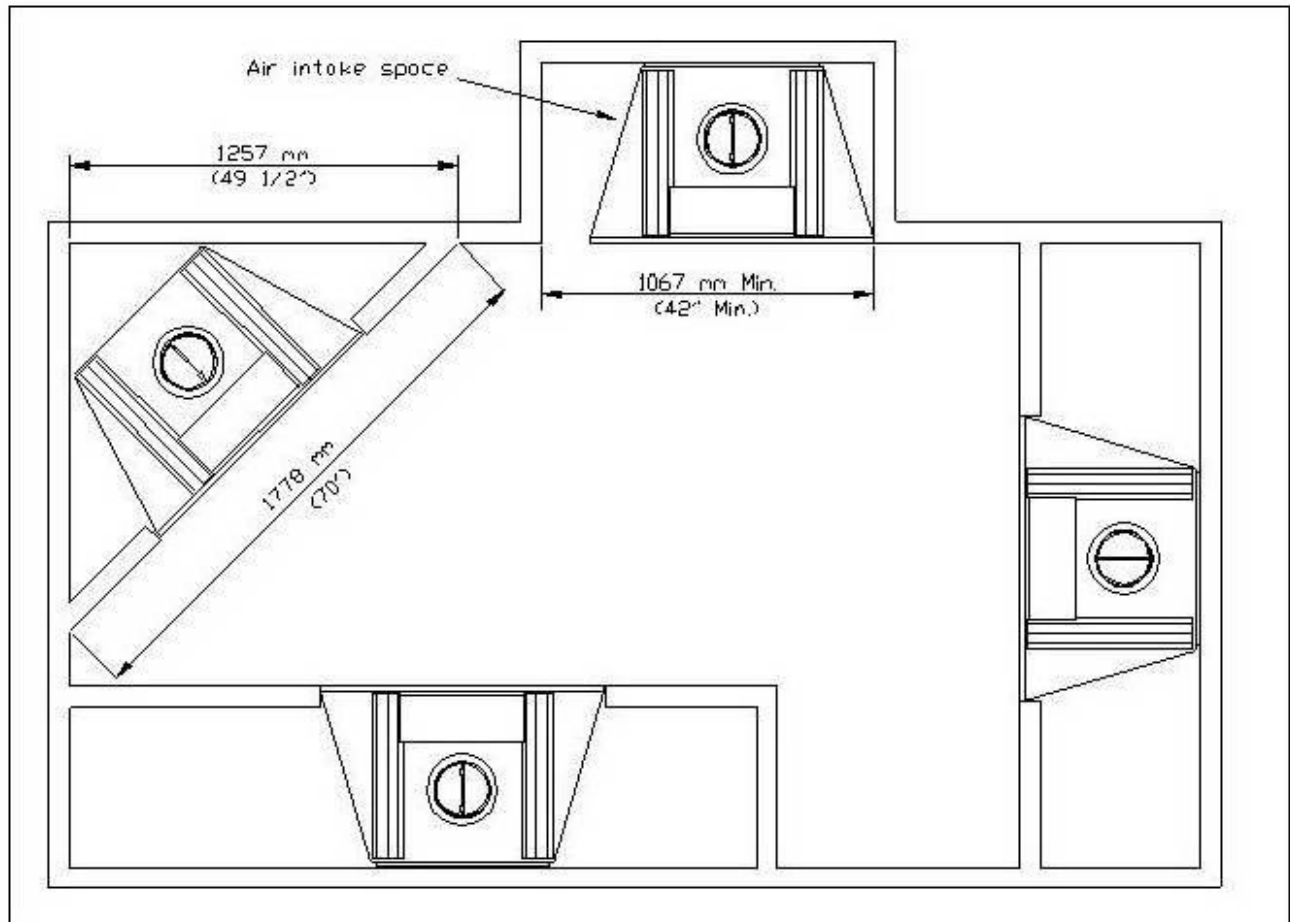


Figure #3: Possible Chimney Configurations

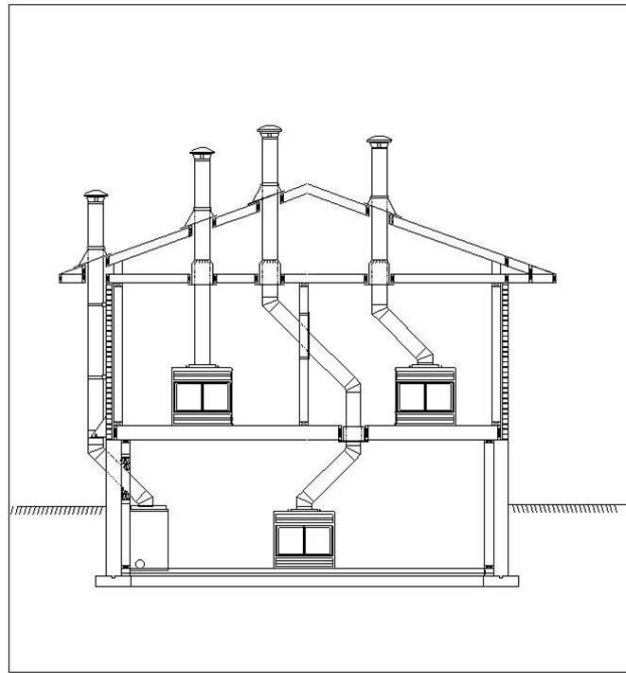
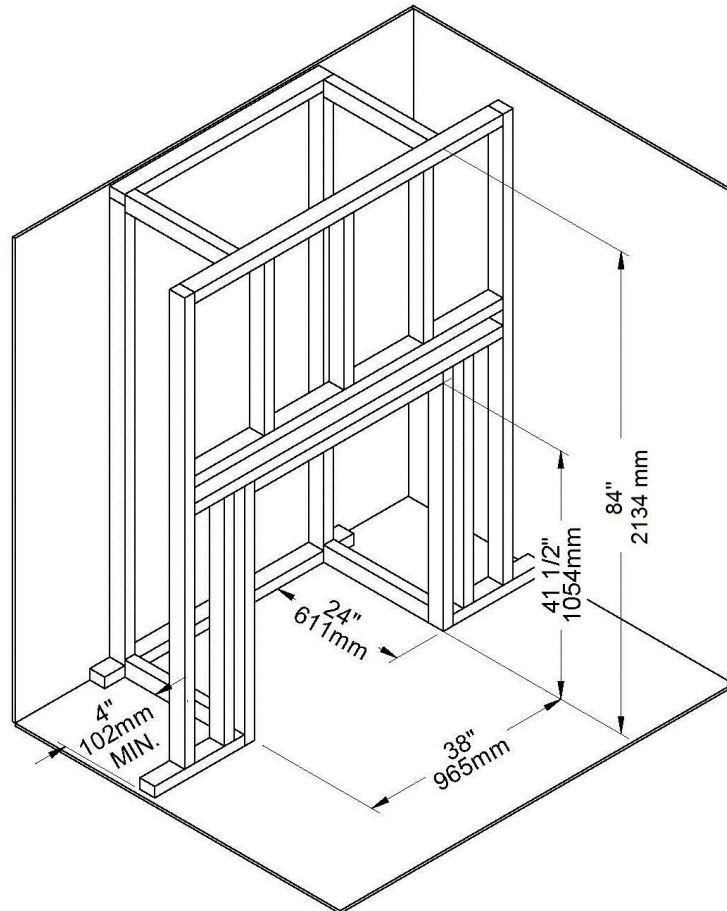


Figure #4: Fireplace Framing



FIREPLACE INSTALLATION

The table below shows the minimum chimney height requirements, fireplace included, according to the number of elbows:

Chimney	Number of Elbows	Minimum Height
Straight installation	-----	15' (4.6 m)
1 - 15° offset	2 - 15° elbows	15' (4.6 m)
2 - 15° offsets	4 - 15° elbows	18' (5.5 m)
1 - 30° offset	2 - 30° elbows	15' (4.6 m)
2 - 30° offsets	4 - 30° elbows	20' (6.1 m)
* 1 - 45° offset	* 2 - 45° elbows	16' (4.9 m)
* 2 - 45° offsets	* 4 - 45° elbows	23' (7.0 m)

* Permitted only in Canada.

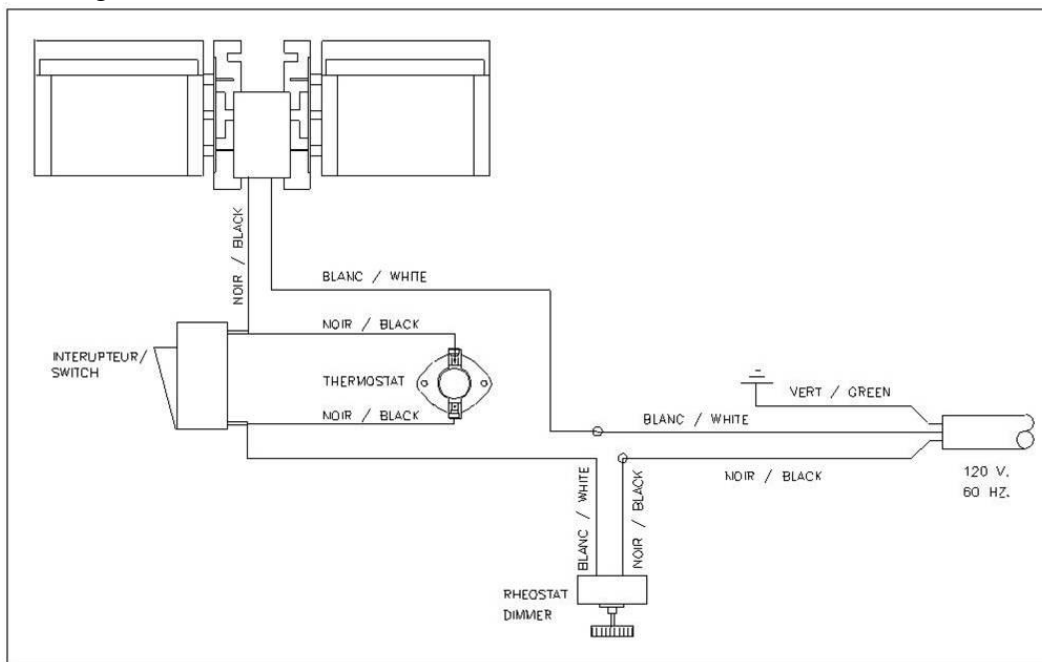
1. Before beginning installation, remove the fireplace trim to protect it from damage. The fastening screws are located behind the upper and lower louvers. Make sure no masonry products or acids come into contact with the trim as these may discolor the finish which is not under warranty.
2. Remove all combustible floor coverings, e.g. carpeting, linoleum, etc., from the area where the fireplace is to be installed.
3. The fireplace can be installed directly on the floor or on a platform made of combustible materials, such as wood or plywood or any other hard, sturdy surface.
4. A 48" x 16" (1220 mm x 407 mm) minimum hearth extension made of non combustible material is required. The extension can be installed below the base of the fireplace or flush mounted. (Figures #6)
5. To prevent any burning embers falling between the fireplace and the hearth extension from coming into contact with the floor, insert a metal sheet under the front of the fireplace. This sheet must extend 4" (100 mm) on both sides of the fireplace and 2" (50 mm) in front. The non combustible hearth extension should rest on the 2" (50 mm) band of sheet metal in front. You can also prevent embers from falling in the joint between the fireplace and the hearth extension by filling it with mortar grout. (Figure #6)
6. To anchor the fireplace to the floor, unfold the lower metal attachments and screw them to the floor using 1" (25 mm) screws.
7. The opening must be at least 24" (610 mm) away from any wall at a right angle with the appliance's face. (Figure #14)
8. Place the appliance in the desired location. It must directly abut against the finished wall and not insulation or a vapor barrier. **Do not add any insulation.**

9. The standards in your area may require an outside air inlet. Even if such is not the case, it is beneficial to do so since this will improve the fireplace's performance. Install a flexible air duct that is 4" (102 mm) in diameter and a maximum length of 20' (6.1 m). If a longer duct is required, increase diameter to 6" (152 mm) but maximum length will then be 40' (12.2 m). The outside air intake must not come from a garage, carport, basement, attic or the chimney's enclosure.
10. Install the outside air inlet in a place where it is unlikely to become blocked by snow and is sheltered from high winds. Make sure it is far from the gas meter or any other device that may emit fumes or gases, such as automobile exhaust.
11. Once you have decided on the location of the outside air inlet, drill a 4¼" (108 mm) hole in the wall. Insert the inlet grill in the hole from the outside and screw it to the wall with four 1" (25 mm) screws.
12. From the inside, insert the insulated flexible duct and attach it to the inlet grill with aluminum duct tape or ¾" (19 mm) metal screws.
13. On the lower left side of the fireplace, remove the metal piece blocking the air intake. Cut the insulating wool, insert the adaptor included with the fireplace and screw it in place using two ¾" (19) metal screws. Using an adjustable collar or aluminum duct tape, attach the flexible duct to the adaptor.
14. Valcourt fireplaces are equipped with an automatic or manual switch located behind the lower louver at your right. When switch is place on auto, the blower will activate when fireplace reaches minimum starting temperature 43°C (110°F). When placed on manual, you control the function of the blower with the speed control. Have the wiring installed by a qualified electrician (Figure #5).

Electrical Installation Instructions:

- 14.1 Remove the cover of the connection box located on the right behind the lower louver.
- 14.2 Insert a 110-volt wire into the box through the appropriate hole.
- 14.3 Connect the wiring in the box.
- 14.4 Test the wiring.
- 14.5 Close the connection box.

Figure #5: Circuit Diagram

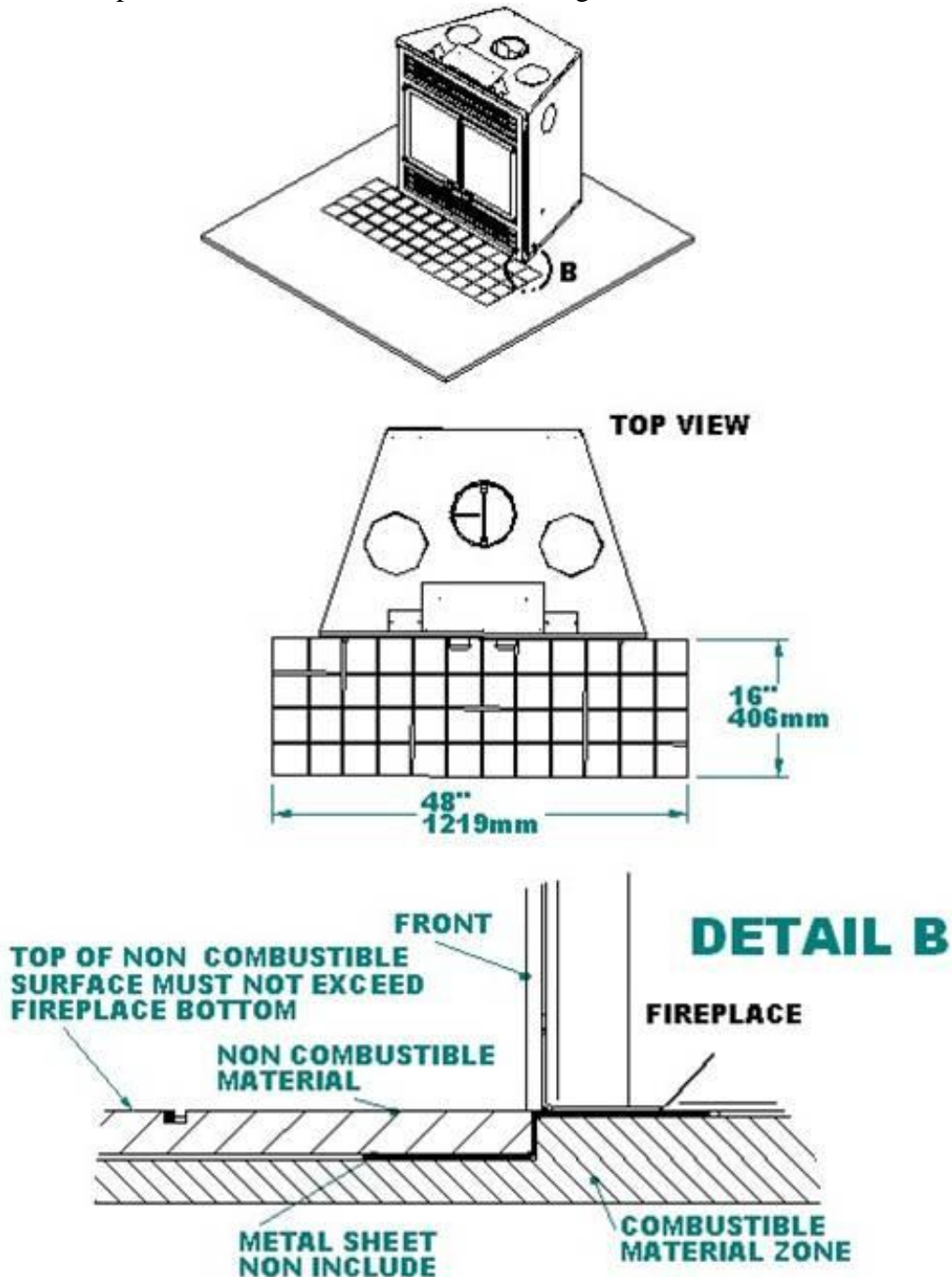


You can also install a decorative gas appliance in the hearth. To do this, install an automatic shut-off valve. Comply with ANSI Z21.60 (1991) standards governing “Decorative Gas Appliances” in vented fireplaces and ANSI Z233.1 with regards to the National Gas Code.

ATTENTION: ALWAYS OPEN THE CHIMNEY DAMPER TO ITS MAXIMUM POSITION WHEN USING A DECORATIVE GAS APPLIANCE.

THIS FIREPLACE HAS NOT BEEN TESTED WITH AN UNVENTED GAS LOG APPLIANCE. TO REDUCE THE RISK OF FIRE OR INJURY, DO NOT INSTALL A GAS LOG APPLIANCE WITHOUT A VENT PIPE.

Figure #6: Beaumont Fireplace and Hearth Extension Positioning



CHIMNEY INSTALLATION

1. If possible, install an interior chimney as it will provide better performance. In areas with continuous temperatures below -18°C (0°F), the use of an exterior chimney increases the likelihood of operating problems such as low draft, high rate of creosoting, and poor start-up characteristics. Exterior chimneys are also prone to down-drafting and flow reversal. Installations, which are located on lower floors in the house, such as in a basement, in combination with outside chimney, are especially prone to flow reversal.
2. The FP2 BEAUMONT is listed only with chimney systems described in table 1.
3. A chimney venting a fireplace shall not vent any other appliance.
4. The minimum chimney system height for a straight installation is 15 ft. (4.6 m).
5. All chimney installations must include at least one support. Reducing the amount of chimney weight on the fireplace will help avoid the noise created when the fireplace expands. This can be achieved by having the chimney supported by the supports. The maximum chimney length that should be supported by the fireplace is 9 ft. (2.75 m) for 2" Solid Pack Chimney and 12 ft. (3.7 m) for 1" Solid Pack Chimney.
6. The chimney must extend at least 3 ft. (92 cm) above its point of contact with the roof and at least 2 ft. (61 cm) higher than any wall, roof or building within 10 ft. (3.1 m) of it. See Figure 7a and 7b to determine the configuration that applies to your roof (flat or sloped roof and the distance between the chimney and the highest point of the roof and/or the nearest chimney).
7. Deviations should be avoided whenever possible, especially the most pronounced. Each deviation adds some restriction to the chimney system and may lead to draft problems.
8. If the chimney extends higher than 5 ft. (1.5 m) above its point of contact with the roof, it must be secured using a roof brace.
9. A rain cap must be installed on top of the chimney. Failure to install a rain cap may cause corrosion problems.
10. Cut and frame square holes in all floors, ceilings, and roof that the chimney will go through to provide a 2" (50 mm) minimum clearance between the chimney and any combustible materials. Do not fill this 2" space with insulation or any other combustible material.
11. Portions of the chimney which may extend through accessible spaces must be enclosed to avoid contact with combustible materials or damage the chimney.

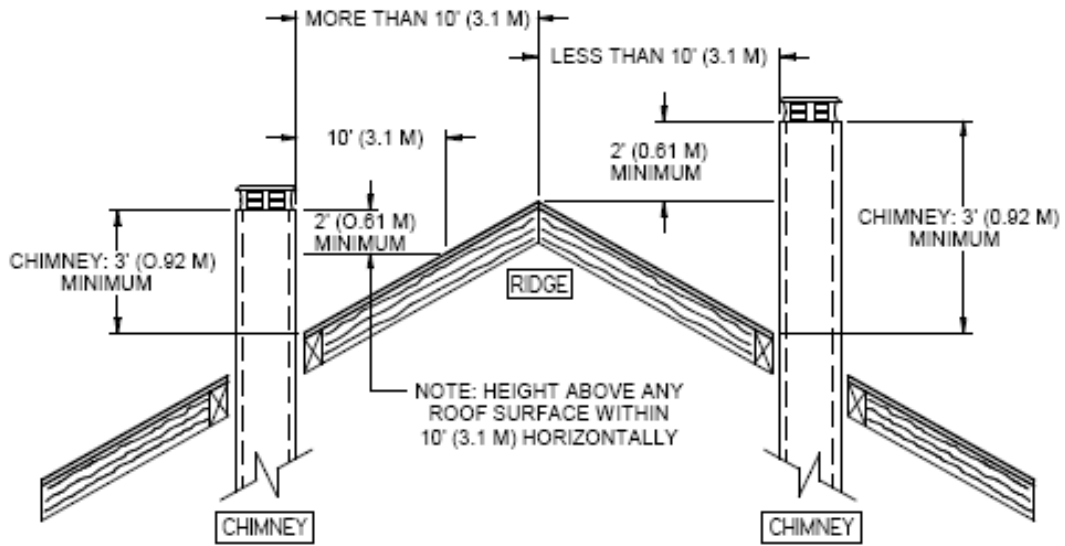


Figure 7a

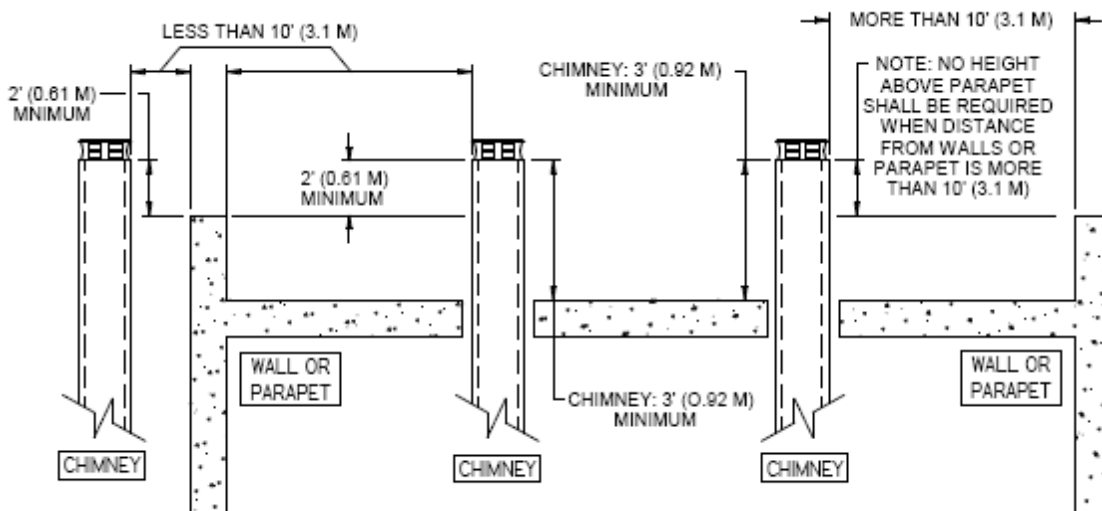


Figure 7b

12. **When you build a chase enclosure for chimney sections above the roof**, the chimney must extend at least 3 ft. (92 cm) above the chase enclosure and at least 2 ft. (61 cm) higher than any wall, roof or building within 10 ft. (3.1 m) of it. See Figure 7c and 7d to determine the configuration that applies to your roof (flat or sloped roof) and the distance between the chimney and the highest point of the roof and/or the nearest chimney).

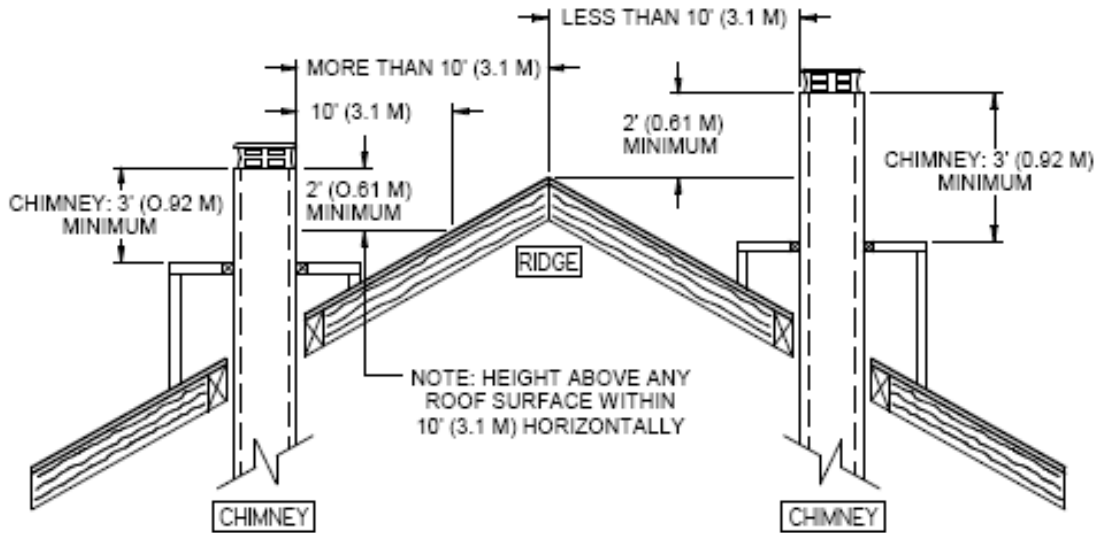


Figure 7c

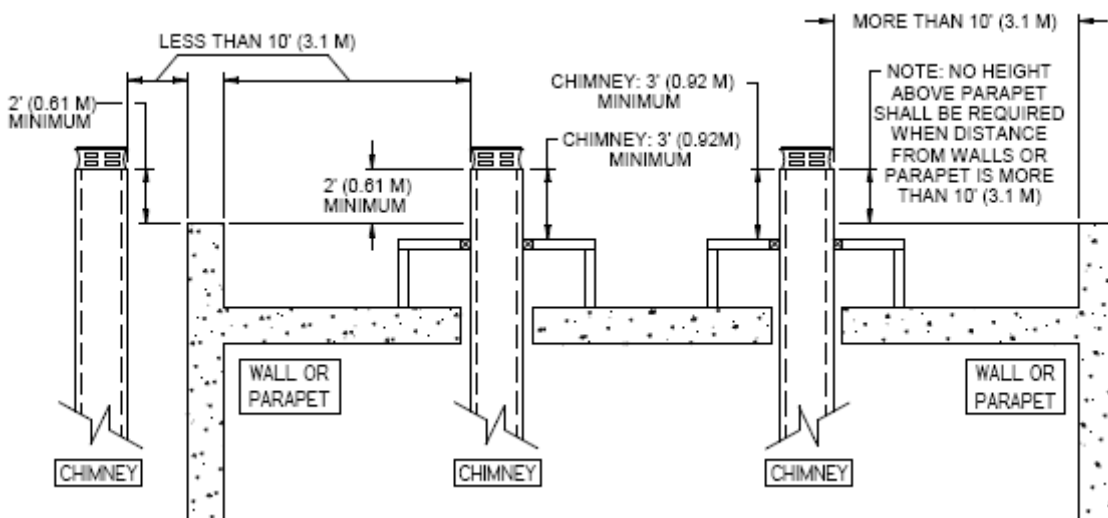


Figure 7d

INSTALLATION INSTRUCTION FOR MASONRY APPLICATION

The following requirements must be respected:

1. The chimney must be absolutely clear of any soot residue or creosote. Check for cracks, loose or missing bricks that could inhibit correct installation of the liner.
2. The clearance to combustibles must be a minimum of 1" between the outside of the masonry and any wood framing or loose insulation.
3. The chimney must be built in accordance with the current building code.
4. No other appliance can be connected to the same chimney.
5. The clearances to combustibles for the BISPMA and BISUPMA30 connectors are 2" on the side and bottom and 16" at the top.
6. The connector parts are not necessary if the connection between the insulated length and the stainless steel liner is done within the masonry chimney.

Installation

The chimney must be relined with a stainless steel liner model Tubinox or Projet SS or any other listed liner or flexible liner to ULC-S635, ULC-S640 or UL777 of the same diameter as the outlet of the fireplace.

For connection at 45 angle, a special connector (BISPMA for the 7 in. chimney) must be used to connect the liner to the insulated chimney. For connection at 30, use the BISPMA30 connectors. (Figure #9)

Follow these steps:

1. Position the fireplace in its location. Temporarily install the ASHT+ elbow on the top of the fireplace and, using a level, mark with an oval the location where the flue liner will enter the masonry chimney.
2. In the middle of the oval, drill a hole in the masonry chimney at 45 or 30
3. Increase the size of the hole until a 45 or 30 Tubinox liner elbow can be easily slipped through.
4. Slide the liner down from the top of the masonry chimney until you reach the hole level.
5. Slip through the hole a 45 or 30 liner elbow and connect it to the liner.
6. Add a small liner section to the liner elbow which will allow the liner to extend at least 12" (measured at the top of the liner) from the masonry chimney.
7. Seal the opening around the liner with high temperature refractory cement.
8. The next steps must be done in the following order:
 - 8.1 Select the ASHT+ length that will fit between the elbow and the liner so that it will slide at least 2" over the liner section. (you may need to cut the liner for a better fit)
 - 8.2 Take that section and the BISPMA (BISPMA30) cover and slide it over the line. Make sure you have enough opening to be able to install the ASHT+ elbow without difficulty.
 - 8.3 Install the 45 or 30 elbow on the fireplace.
 - 8.4 Slide the length section back down on the elbow and twist lock the two together.
 - 8.5 Pull the cover down over the length and install the insulation pad over the liner; be careful to cover the liner completely.
 - 8.6 Slide back the cover over the insulation and fix it in place using the 3 screws supplied.

Installation with an 7 in. EXCEL chimney (Figure # 8)

Installing your fireplace with a masonry chimney still requires using EXCEL chimney from the top of the fireplace to the wall where it will connect to a listed liner that will run up inside the masonry chimney.

The stainless steel liner should be fitted inside the clay liner all the way to the top of the masonry chimney. It is not meant to replace the clay liner. You can use either the EXCEL liner or any other listed liner or flexible liner to ULC-S635, ULC-S640 or UL777.

Special care is to be taken to make sure that you have a good solid connection between the EXCEL chimney and the liner. A masonry adaptor (FO-FDM7) was designed specially for that purpose and is available from your RSF dealer. It will attach to the liner with 3 stainless rivets (provided) and to the EXCEL chimney with 3 screws (provided).

After mortaring in place, the connection between the EXCEL chimney and the liner should not be visible in order to isolate the heat released through the liner from the fireplace enclosure.

You must install at least one 18" length of EXCEL chimney after the EXCEL chimney elbow. The uppermost part of the excel chimney- where it enters the masonry chimney – must be a minimum of 12" from the ceiling.

NOTE: If the ceiling is high enough, you can install one or more EXCEL chimney lengths directly on the fireplace before the elbow.

To make the hole through the masonry chimney and make the connection to the fireplace, we recommend that you follow these steps:

1. Sight-in and mark the outline of where the EXCEL chimney will penetrate the masonry chimney.
2. Using a large ($\frac{3}{4}$ "-2") masonry drill bit, drill a hole exactly in the center of the oval outline. With a masonry hammer and drill, slowly enlarge the hole to the size required. Remember to work from the center out. Be especially careful with the clay liner behind the brick because three sides of it must stay in place.
3. Bring the stainless steel liner down from the top of the chimney. If you are using a rigid liner you will need enough room to secure an elbow to it with at least two screws. If it difficult to install rigid stainless steel liner in the existing masonry chimney or for a masonry chimney with less than 10" x 10" inside, a listed stainless steel flexible liner can be used along with a flexible/ rigid adaptor (LM-LAF) available from your ICC dealer.
4. Install the liner elbow and masonry adaptor on the lower end of the liner.
5. Move the fireplace forward enough to install the EXCEL chimney on the fireplace (elbow and length) then move the fireplace back into position as you connect the masonry adaptor to the EXCEL chimney.

NOTE: The stainless steel flexible liner must be installed inside the clay liner. It is not meant to replace the clay liner.

Figure #8: Excel Chimney Installation

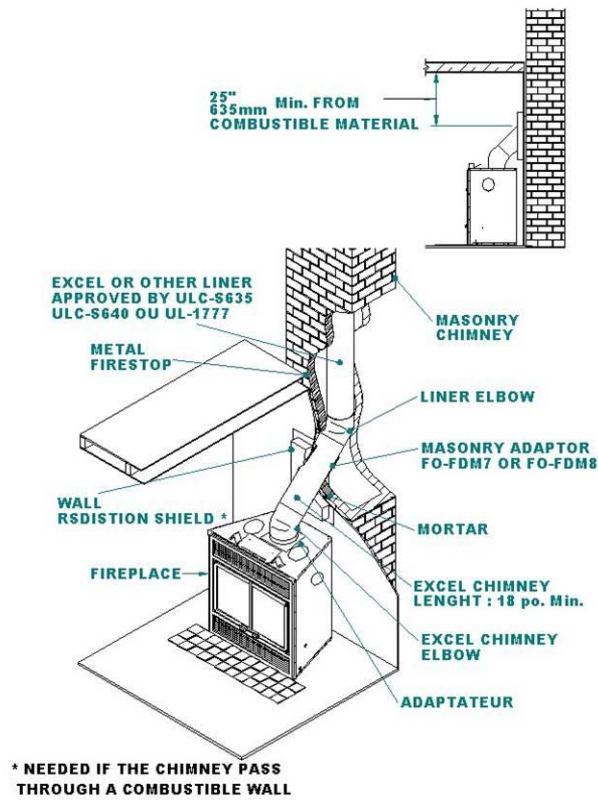


Figure #9: Security Chimney Installation

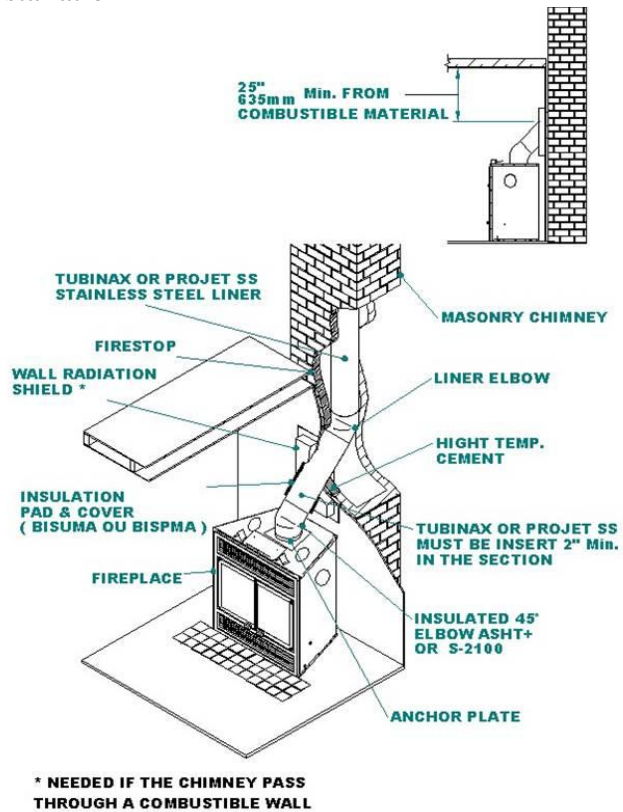


Figure #10: Straight Chimney Installation

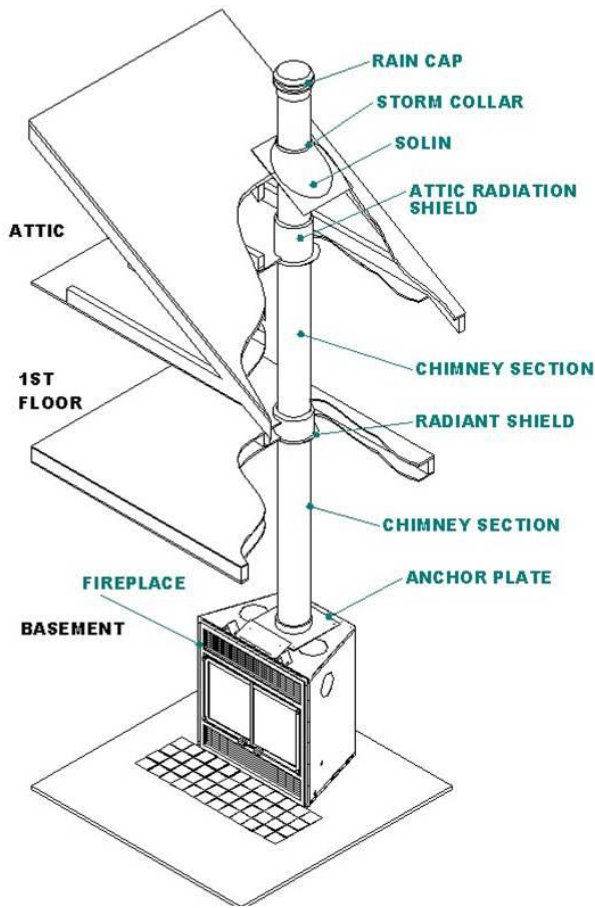


Figure #11: Chimney Installation with Elbows

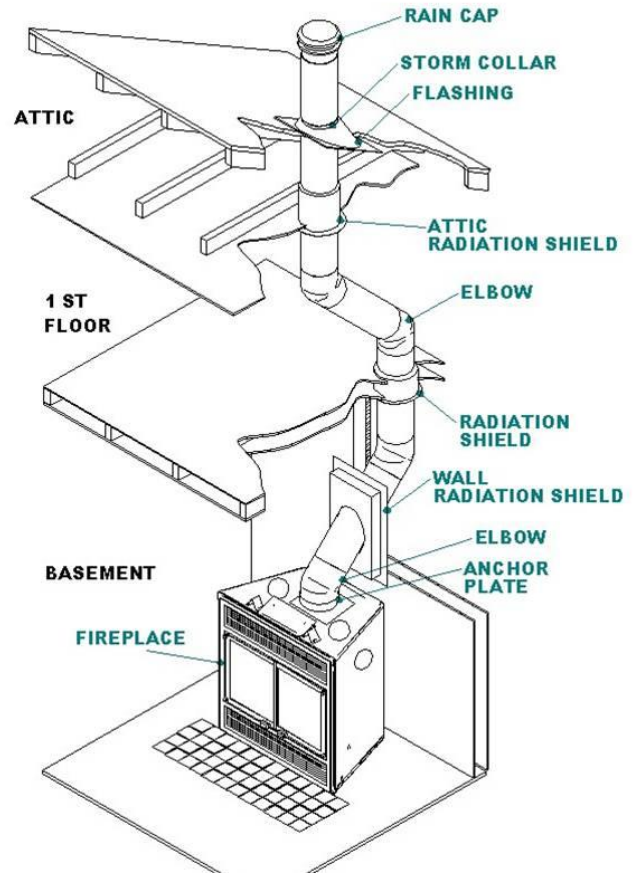


Figure #12: Chimney Installation through an Exterior Wall

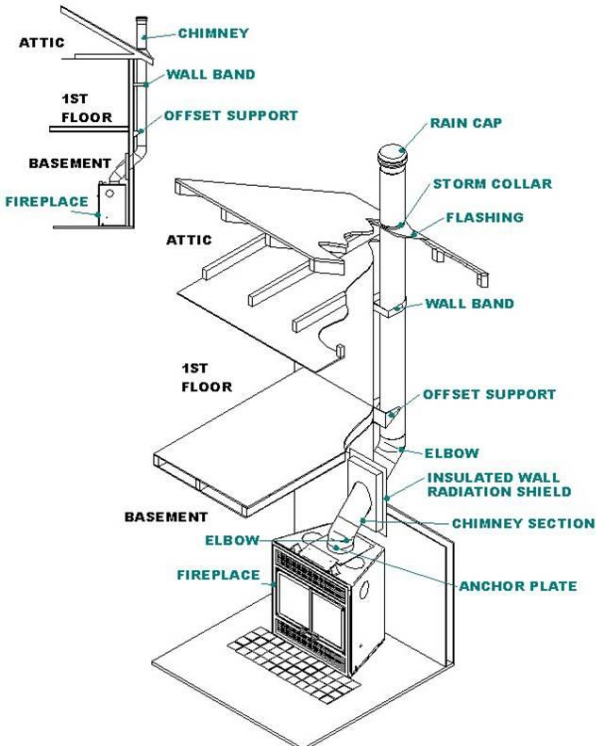
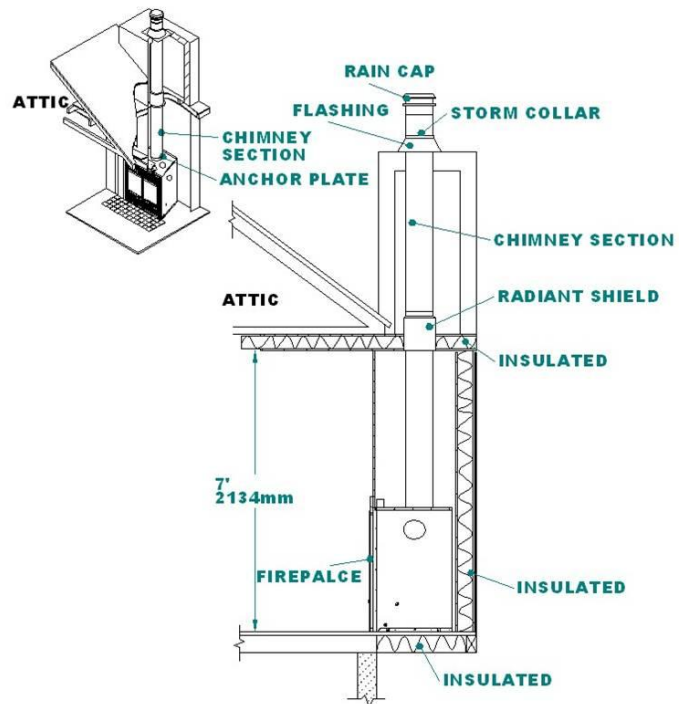


Figure #13: Isolated Chase Chimney Installation



FIREPLACE FINISH

1. Combustible materials can be used to finish the fireplace. The framing can be built directly on the sides of the appliance. (Figure #17)
2. Side walls can exceed the appliance's face by a maximum of 6" (152 mm). (Figure #14)
3. Adjoining walls may also be built at a 45° angle from the edge of the face. However, any right angle wall must be located at least 24" (610 mm) away from the fireplace opening. (Figure #14)
4. Combustible framing can cover the sides or the back of the appliance but not its face. (Figure #14 and 17)
5. To enclose the top of the finish, it must reach at least 84" (2133) in height from the base of the fireplace. **Do not insert insulation in the chimney enclosure.** (Figure #15)
6. It is possible to enclose the top and sides of the appliance but a minimum clearance of 2" (51 mm) must be provided around the chimney. (Figures #15)
 - 6.1 In the U.S., it is not permitted to enclose the top of fireplace appliances. (Figure #15)
7. If the mantel is made of combustible materials, it must be installed at a height of at least 46" (1169 mm) from the base of the fireplace. (Figure #16)
8. The fireplace's facing must be made of non-combustible materials only.

Fireplace Facing

- 8.1 Remove the decorative trim.
- 8.2 Install the non-combustible facing material (marble, ceramic tile, Durock, brick, etc.).
- 8.3 Reinstall the decorative trim. (Figure #16)

NOTE: Make sure nothing obstructs or interferes with the front hot air outlets. The enclosure could overheat. Any accessible chimney must be fenced off or finished to prevent contact.

Figure #14: Fireplace Finishing

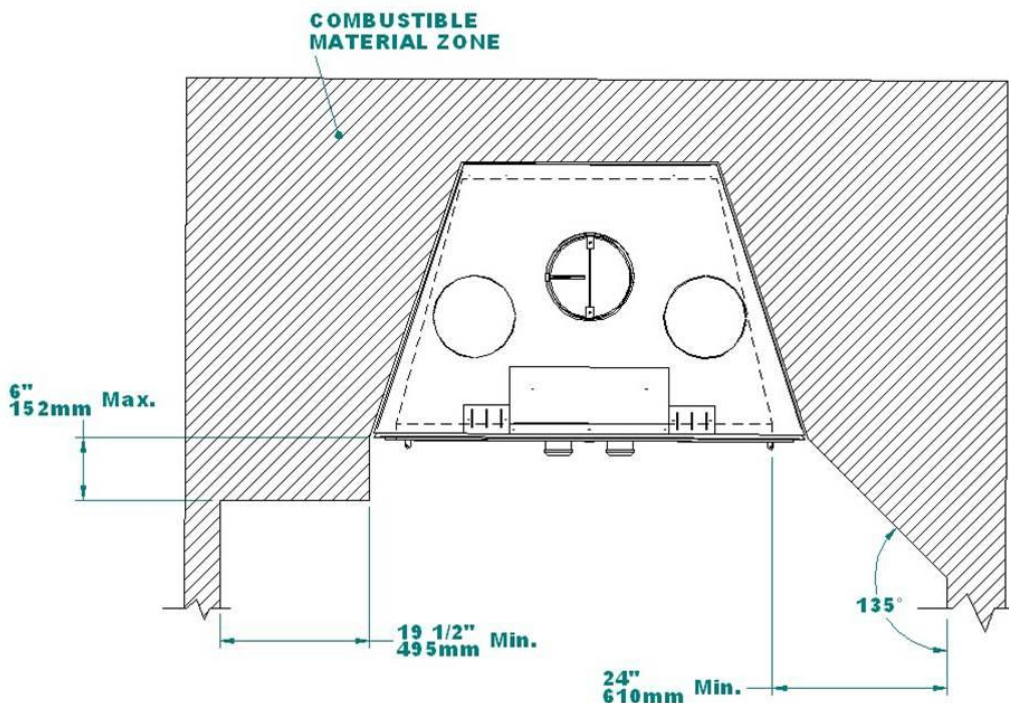


Figure #15: Chimney Enclosure

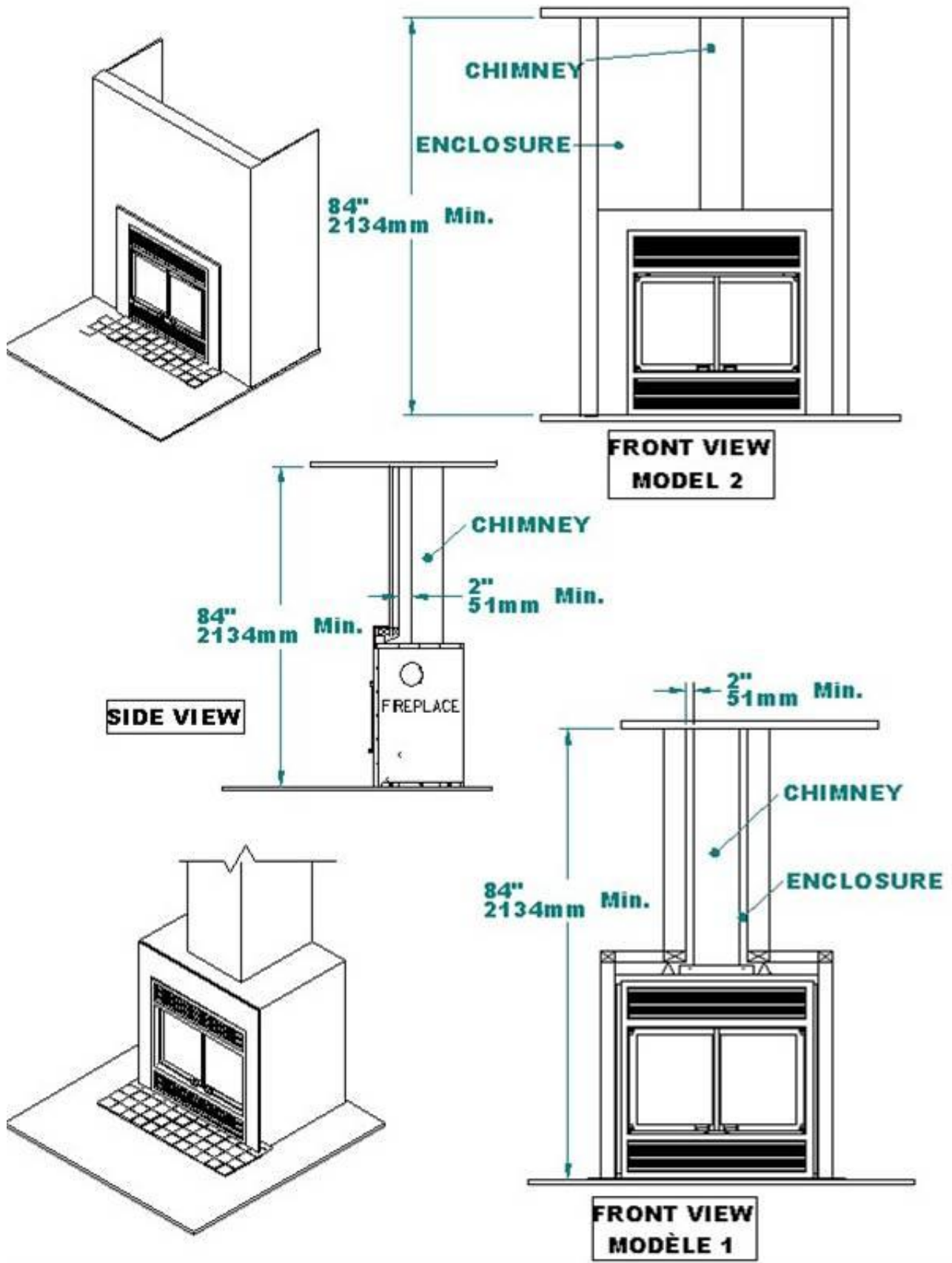


Figure #16a : Mantel Positioning

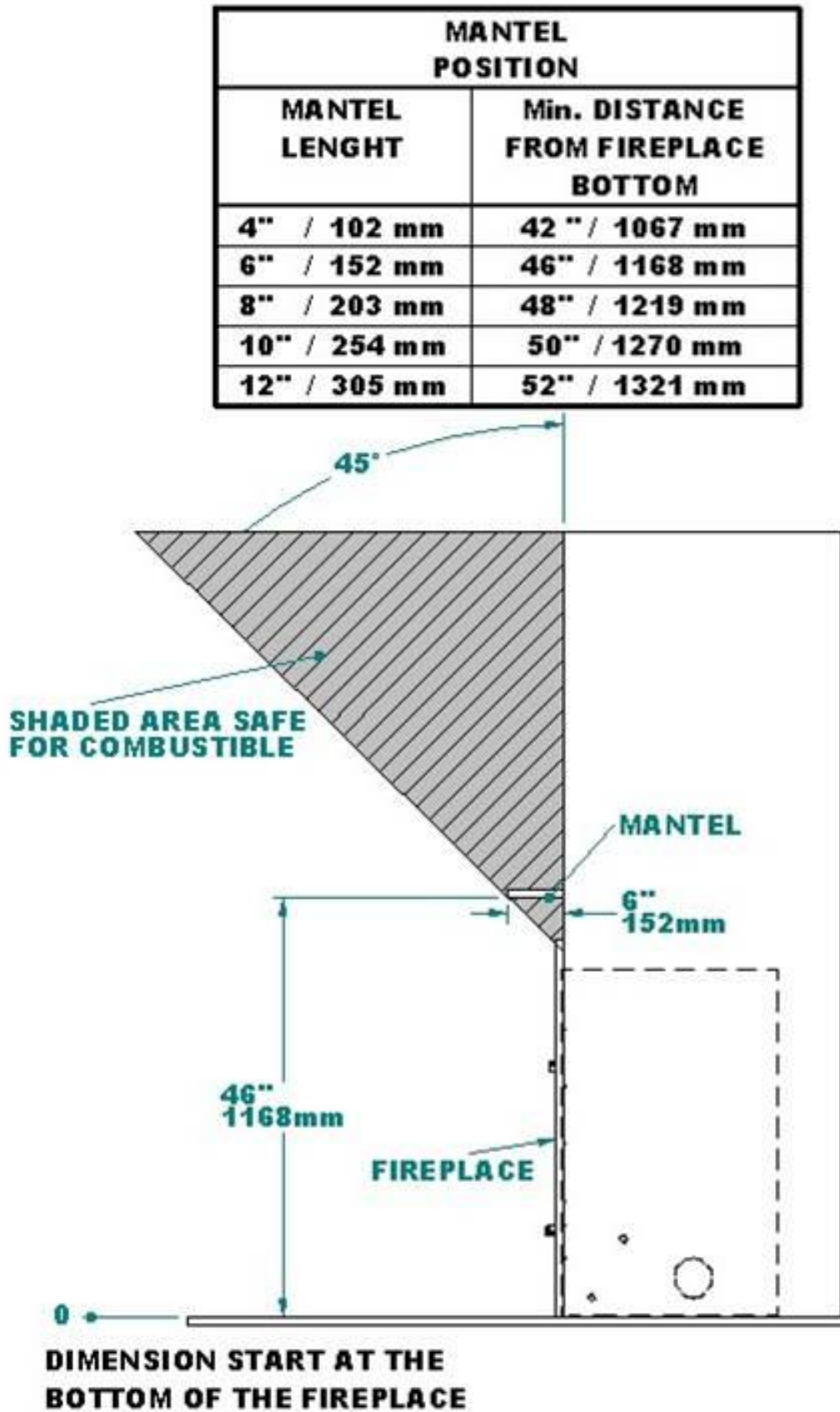


Figure 16b : Combustible material positioning

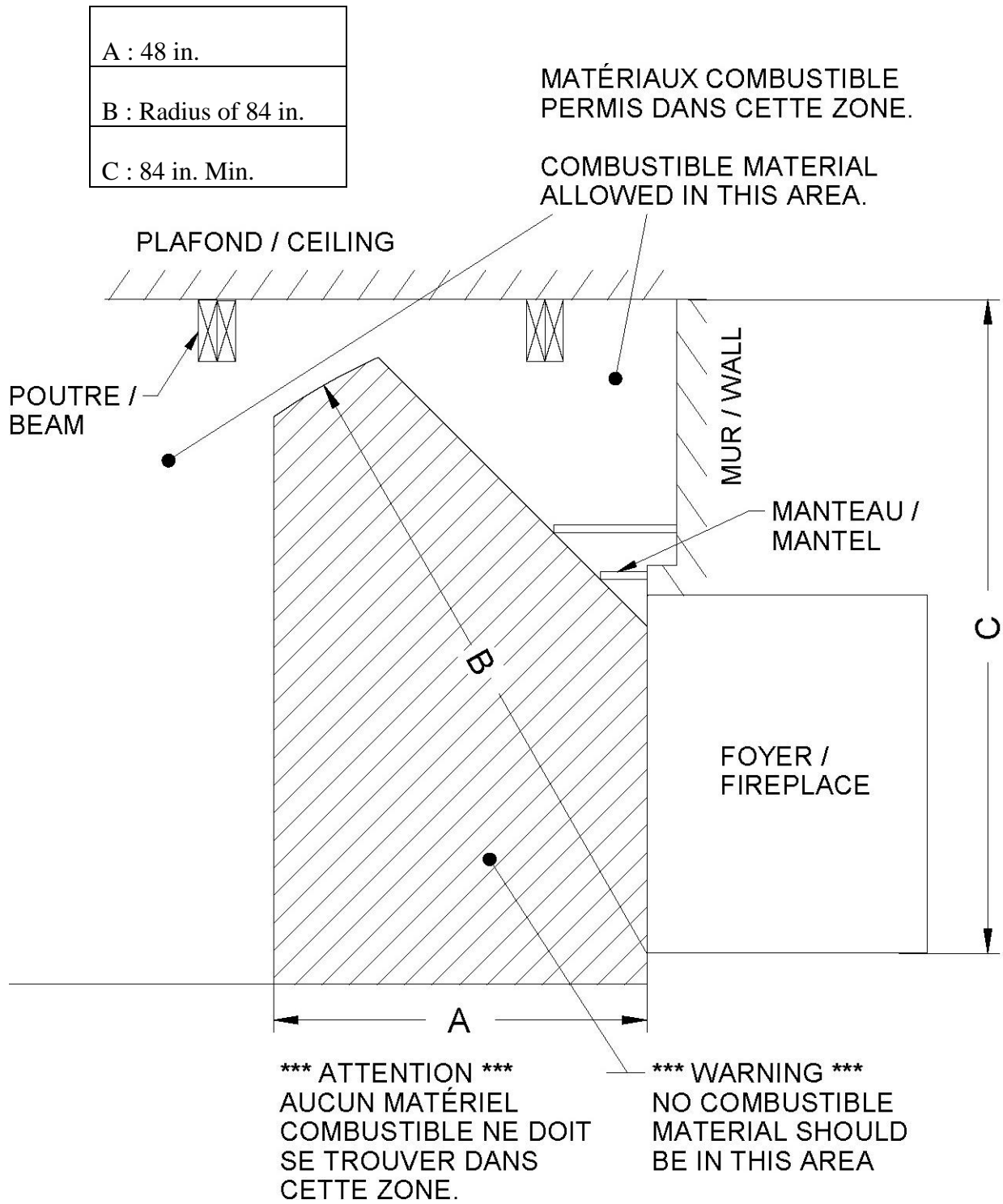
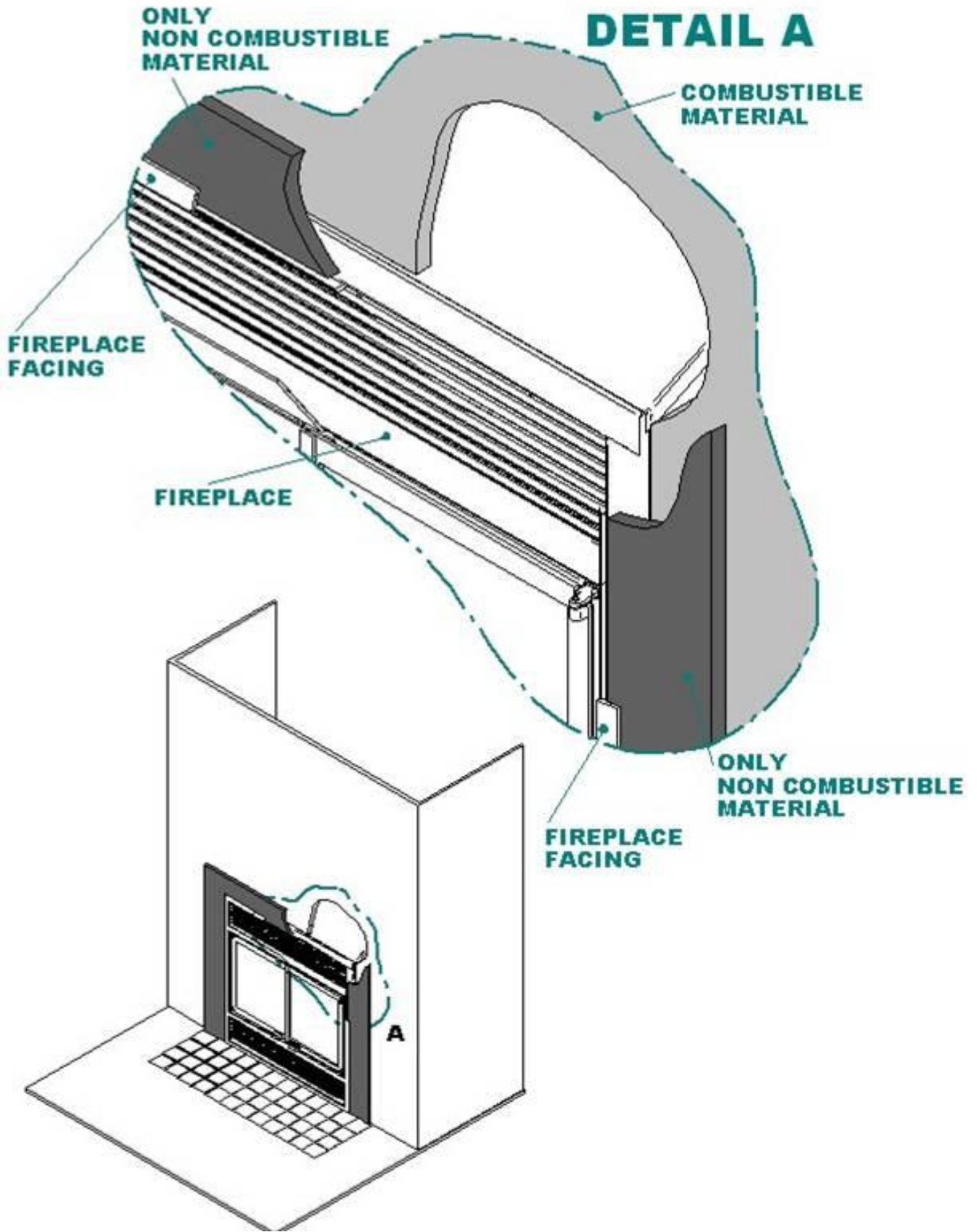


Figure #17: Installation of Fireplace Facing



USE AND SAFETY

1. Teach children fireplace safety rules.
2. Do not use the fireplace under the following conditions:
 - 2.1 Whenever a firestone is missing or broken.
 - 2.2 Whenever the ceramic glass is cracked or broken.
3. Never use flammable liquids to light or revive a fire and keep such products away from any heat source. Before lighting a fire, make sure there are no flammable liquids, gases or fumes in the room.
4. Before starting each fire, open the flue damper using the key located in the middle behind the upper louver. When the fireplace is hot, do not touch the damper key with your bare hands.
5. Open the air intake lever located on the left behind the lower louver.
6. Prevent smoke flow reversal by preheating the chimney flue. Just hold a torch made of rolled up newspaper towards the smoke chamber for a few minutes.
7. Valcourt fireplaces are designed to burn reasonable quantities of wood. Avoid making overly intense fires that would damage the appliance.

DO NOT OVERHEAT

8. Use the grate made by VALCOURT Burn only the quantity of combustible it can contain. Do not burn garbage, painted wood or wood that has been exposed to salt water.
9. Always have minimum of 1" accumulation of ashes at the bottom of the fireplace. The grate may deform if no ashes are left.
10. When using the fireplace for the first times, make small fires to give the firestone time to dry properly. The appearance of fine cracks in the firestone is normal and therefore not hazardous. It is not a matter for concern.
11. During the first fires, you may detect a certain odor and the coating and oil protecting certain appliance parts may smoke a little. If you open a window, these will quickly dispel.
12. It could also become necessary to open a window if the house is too airtight or if a fan is running.
13. Keep the firescreen closed at all times. If the fireplace is left unattended while the fire is still burning, carefully close the glass doors. Adjust the air intake lever to its maximum position.
14. Expansion and contraction noises during the heating and cooling cycle are normal. It is not a matter for concern.
15. Once the fire is out and the embers have cooled, close the flue and the air intake dampers until you prepare to light the next fire.
16. There are numerous types of manufactured logs sold on the market. You must be very careful with this type of product. Many brands of manufactured logs contain chemical additives. **DO NOT BURN ANY MANUFACTURED LOGS CONTAINING CHEMICAL ADDITIVES. IF YOU DO, YOU MAY OVERHEAT YOUR FIREPLACE, THEREFORE CAUSING A FIRE HAZARD AND VOIDING YOUR WARRANTY.** Manufactured logs made of 100% wood residues do not pose a threat to your fireplace. However, they must be used carefully. Manufactured logs typically release a much larger heat output over a short period of time. Therefore, you cannot place a large quantity of such logs into your fireplace. Start with one log and see how the fireplace reacts. You can increase the number of logs burned at a time to a maximum of three. Burning more than three manufactured logs at one time can overheat and damage your stove.

NOTE: Make sure furniture, draperies, and any extra logs are at least 48" (1220 mm) away from the fireplace.

CREOSOTE

When wood burns slowly, it produces tar and other organic vapors which combines with humidity to produce creosote. Creosote vapor condenses in the chimney left relatively cool by the slow fire and coats the inside of the flue with residue. When creosote ignites, it produces a red-hot, extremely dangerous fire.

It is therefore recommended to make small, brightly burning fires rather than lazy, smoldering fires. Not only will it keep your glass doors and flue cleaner but, what is most important, it will lessen the likelihood of chimney fires.

CHIMNEY FIRE SAFETY PROCEDURES

What to do if you suspect a chimney fire has started:

1. Close the fireplace doors.
2. Alert everyone in the house.
3. Call the Fire Department if necessary.
4. Put out the fire in the fireplace with a dry-chemical extinguisher, baking soda, sand or ashes. (**Never use salt because it is corrosive, or water because it could cause a steam explosion.**)
5. Make sure the sparks coming from the chimney do not set fire to the roof.
6. Before reusing the fireplace, have it inspected by the Fire Department.

MAINTENANCE

1. Clean color trim with soapy water and a soft cloth. Do not use any metal polish or abrasives.
2. Keep the glass relatively clean. Dirty windows will make the fireplace overheat. Wait until the glass is cool before attempting to clean it. Wash the glass with window or oven cleaner, dishwashing liquid or just soap and water. Spray the cleaner on a soft cloth and not on the glass, since overspray may discolor coating or metal plating (not covered by the warranty). **DO NOT** use steel wool, soap pads (S.O.S.) or any other abrasive product since these may scratch the glass.
3. To remove the ashes, lift the log support. Put the ashes in a metal container with an airtight lid. Place the container on a non-combustible surface away from any flammables until the ashes are cold.
4. Before each heating season, inspect the interior and exterior of the fireplace and chimney for any defects or deterioration.
5. To reduce the risk of chimney fires, keep it relatively clean and regularly check for creosote buildup. To open the rain cap, just unscrew it counter-clockwise. Any layer of creosote greater than 1/8" (3 mm) thick should be swept. Use a plastic brush to avoid scratching the flue.

REPLACING GLASS

Do not use the fireplace with a cracked glass.

1. Cut the silicone joint holding the broken glass to the frame.
2. Remove all debris from the frame.
3. Use only 3/16" (5 mm) ceramic glass.
4. Slide the new window into the frame and fasten it in place with temperature-resistant silicone.
5. Handle the glass with care to avoid injury.
6. Allow to dry for 24 hours.

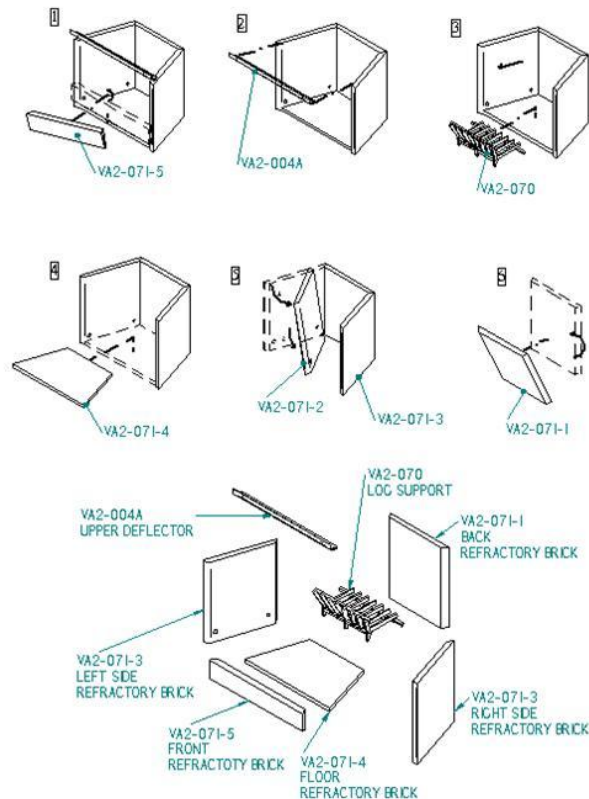
NOTE: Never use substitute parts. Use only Valcourt brand parts.

REPLACING FIRESTONE IN AN BEAUMONT FIREPLACE

Do not use the fireplace with a broken or missing firestone.

1. Remove the front refractory brick (FP2-071-5).
2. Remove the upper deflector (FP2-004A) holding the side wall stones in place.
3. Remove the log support by pulling on it until it comes free.
4. Remove the floor refractory brick (FP2-071-4).
5. Remove one of the side wall refractory brick (FP2-71-3 or FP2-071-2).
6. Remove the second side wall stone while holding the back refractory brick in place (FP2-071-1).
7. Remove the back refractory brick (FP2-071-1).
8. To reinstall the replacement refractory brick, just follow the steps in reverse.

Figure #18: Replacing Beaumont refractory brick



TROUBLESHOOTING

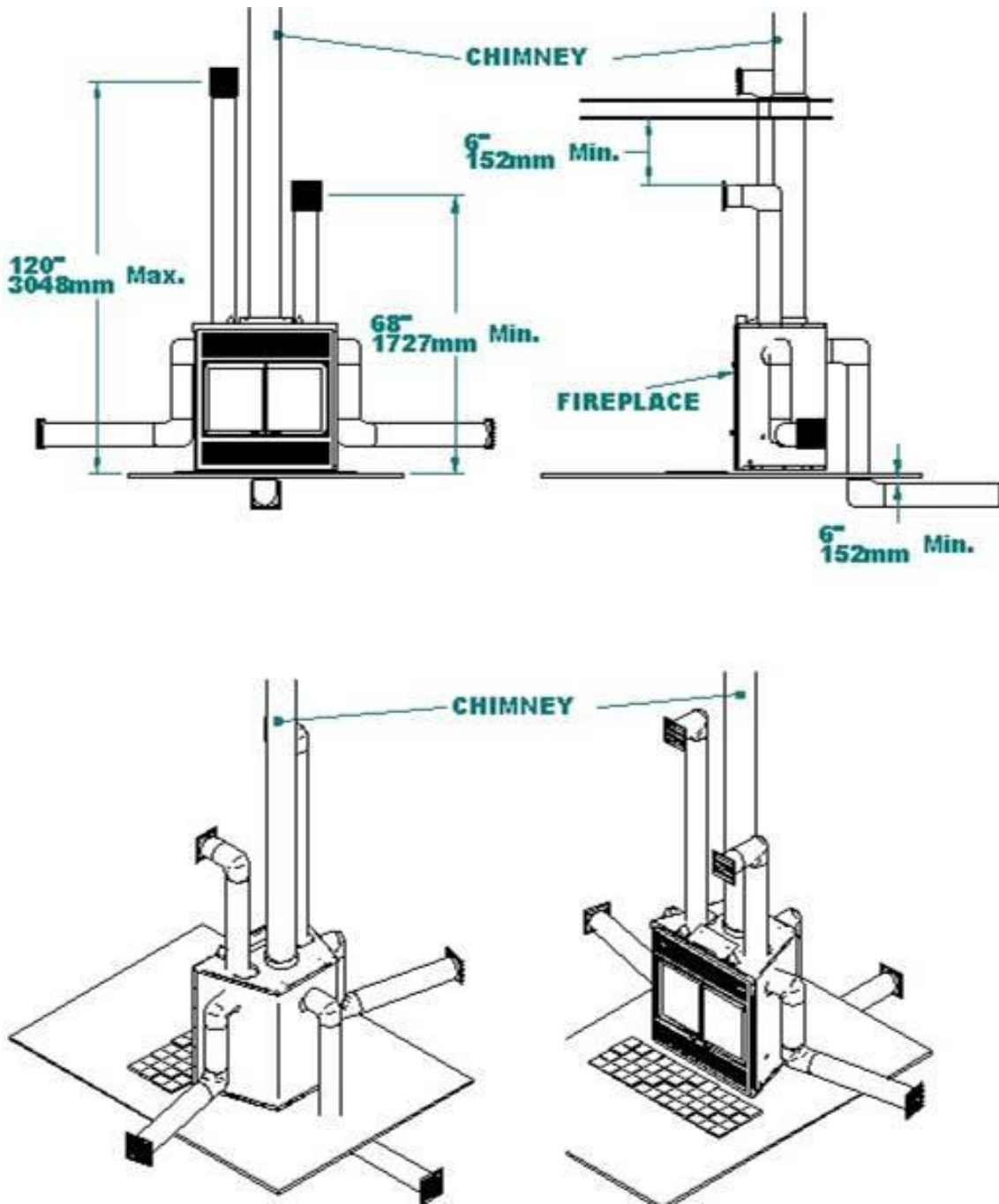
Expansion and contraction noises during the heating and cooling cycle are normal. Here is how to prevent smoke flow reversal: position air intake lever to maximum, slowly open the fireplace doors before lighting the kindling, make a torch by lighting rolled up newspaper and hold it out to the smoke chamber until you feel the chimney begin to draw.

A properly installed Beaumont or Frontenac Fireplace should never smoke. If it does, it will probably be for one of the following reasons:

1. The chimney's outdoor installation is defective or incorrect, creating draught reversal problems and, consequently, making it difficult to start a fire.
2. The chimney was not adequately preheated. Remember that the hotter the fireplace, the better the chimney draws smoke.
3. The fireplace doors or the air intake damper were closed too quickly. Adequate air supply is essential to sustaining combustion.
4. If the room is too airtight or negative pressure has built in the house and there is no outside air intake, air supply to the fireplace will be lower than usual. Temporarily open a window near the fireplace to increase air supply.
5. Any type of fan (range hood or bathroom exhaust fan) that draws air outside can create negative pressure. Shut off the fan and/or open a window near the fireplace to solve this problem.
6. Wet wood smokes more than dry wood. The damper the wood, the less heat it generates and the more creosote it produces. If the wood being burned is very damp, inspect the chimney every month it is used.
7. Make sure the chimney is reasonably clean and unobstructed.
8. Check whether the chimney is the recommended height: minimum of 3' (914 mm) from the roof joint. If not, add more lengths of flue. This will improve draw and reduce the fireplace's tendency to smoke.
9. Fireplaces with chimneys abutting an unfinished outside wall often tend to smoke and are difficult to light. To prevent these problems, open a window near the fireplace and preheat the chimney by holding a newspaper torch in the smoke chamber (upper part of the combustion chamber). Wait long enough to establish effective draw, then light the fire.
10. Always remove excess ashes before lighting a fire. Maintaining a 1" (2.5 mm) thickness of ashes optimizes combustion and maximizes fire duration.
11. Use only dry wood, i.e. wood that has dried for one year (15% to 20% humidity). Very dry wood will burn very well, but will generate a great deal of heat and will not last.

HEAT DISTRIBUTION SYSTEMS

Figure #19: Heat Distribution Options



GRAVITY DISTRIBUTION KIT

The Gravity Distribution Kit (FP4-300) may be used to heat rooms located above, behind and either side of the room where the fireplace is located. Note that, if the hot air outlets are located at various levels, the heat will tend to seek the one at the highest level.

Installing the Gravity Air Duct System

1. Remove the 7" (178 mm) knockouts in the top of the appliance. Cut the insulating wool and remove the inner knockouts. Solidly attach the duct adaptor (FP4-302) to the appliance.
2. Always provide a minimum 2" (51 mm) clearance between the hot air duct and any combustible materials and a 6" (152 mm) clearance between any hot air outlet (FP4-034) and the ceiling. (Figure #21)
3. Direct the gravity heating ducts upward or horizontally. **Never** direct a duct downward.

This system must never be connected to a forced air heating system. If the heating system's blower were to malfunction, the fireplace enclosure would overheat. Valcourt makes a system specially designed for use with forced air heating systems. (Figure #22)

The dimensions recommended for the Gravity Distribution Kit are the following: minimum height of 68" (1727 mm) from the base of the fireplace to the centre of the hot air grill and a maximum of 10' (3 m). (Figure #19)

With the Gravity Distribution Kit, you can install a finish over your chimney and fireplace. Just remove the upper louver, install insulated panel (FP4-305) and cover it with whatever non-combustible finish you prefer (brick, stone, marble, ceramic tile, etc.). Gypsum is not an acceptable material. (Figure #20)

WARNING: It is mandatory to install hot air gravity kit when installing cast iron front option.

FORCED AIR DISTRIBUTION KIT

The Forced Air Distribution Kit can be used to heat adjacent rooms or lower floor located up to 50' (15.2 m) from your Valcourt Fireplace. Only 6" (15cm) flexible isolated duct can be use for this installation. (Figure #20)

If the fan is install with a rheostat, the operation is manually control. The fan can be install with the thermo-disc located under fireplace's floor, it start automatically when fireplaces floor reach 120°F (50°C). In cooling cycle the fan stops automatically when the fireplace temperature gets under 120°F (50°C).

The Forced Air Duct System can be installed in one of two ways

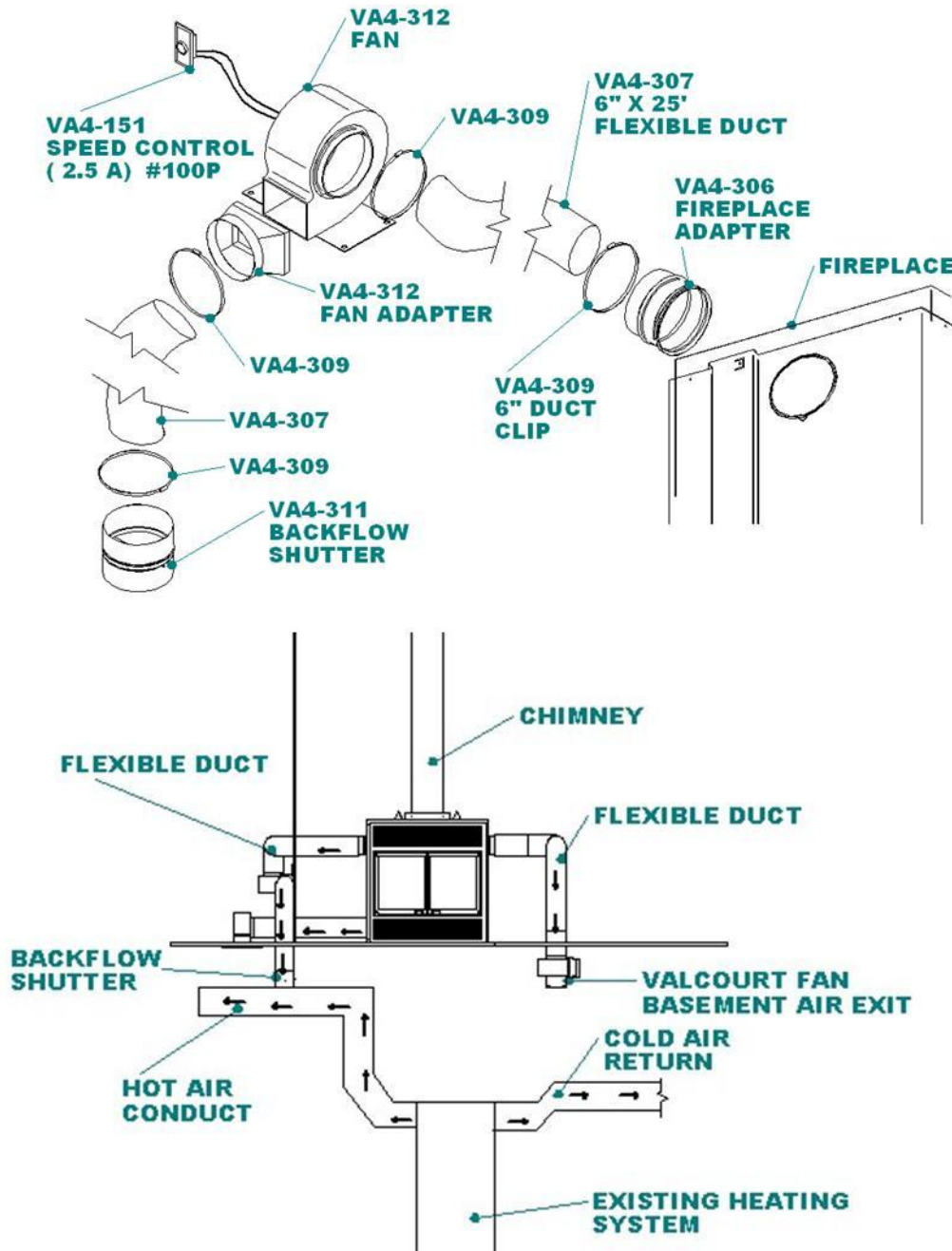
1. Install the flexible duct and connect it to the adaptor attached to one of the fireplace's two side openings. Install the duct system leading to adjacent rooms on the lower floors. The fan can be installed anywhere in the house except in the chase. If the fireplace is in a small room, the central fan can be used to draw and redistribute excess heat throughout the house. Be careful where you install the fan, so its noise will not be a nuisance. The length of the duct from the fireplace to the farthest hot air grill must not exceed 50' (15.2 m). A certain loss of heat is to be expected at this distance. A plastic duct may be connected to the fan's outlet as long as the duct's heat resistance is at least 250°F (121°C). Never install a plastic duct in the fireplace enclosure.
2. The duct can also be safely connected to an existing heating system. However, do not connect any hot air ducts to the cold air return. The hot air duct must be connected to the main duct coming out of the blower. Install a backflow shutter at the junction between the fireplace duct and the blower outlet duct.

ATTENTION: The connection to an existing duct must follow the direction of the furnace's airflow and be equipped with a back draft damper. (Figure #21)

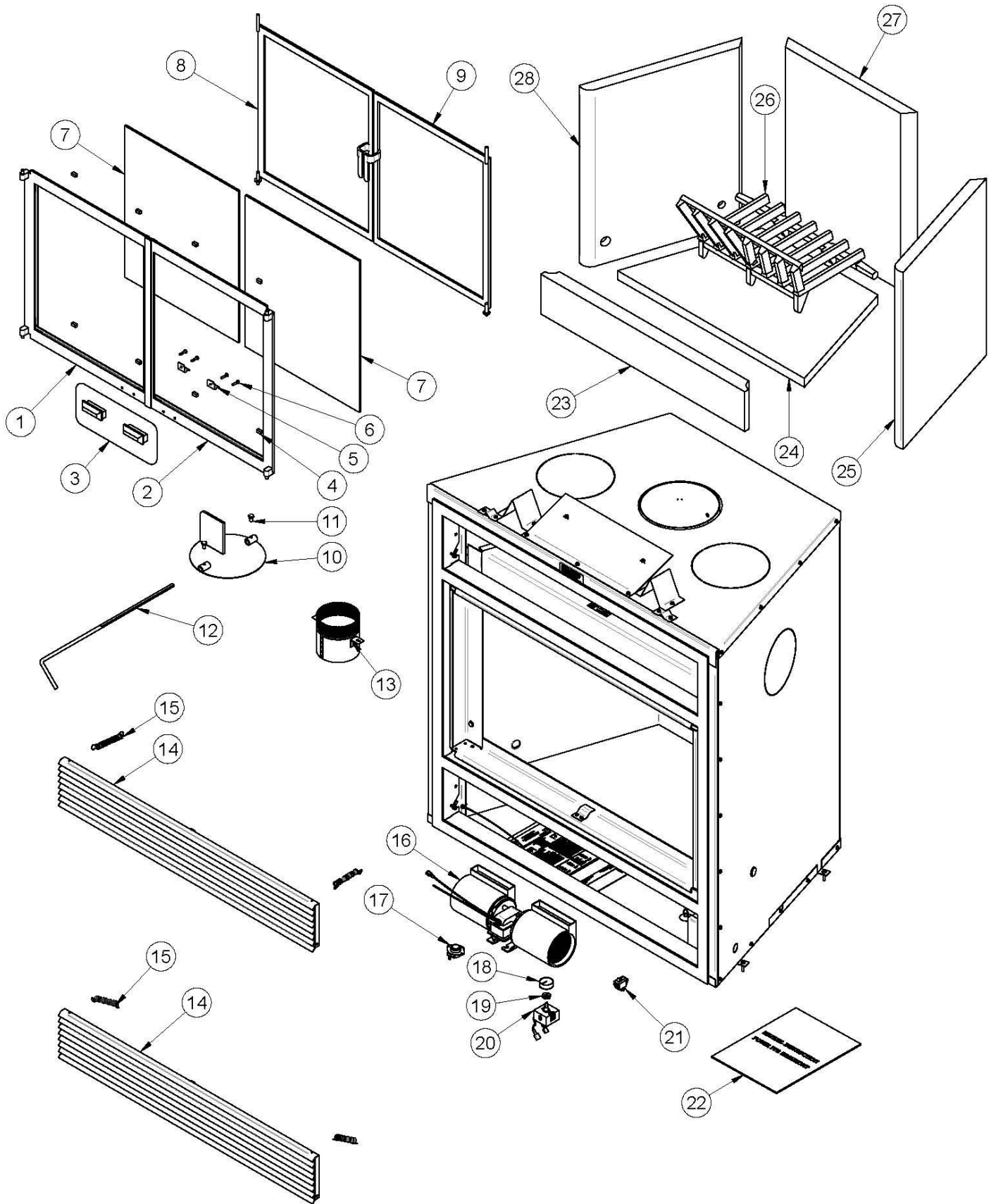
Both alternatives require electrical power. Make sure all electrical connections are made in the correct order and comply with local regulations as well as the applicable National Building Code standards. Install the rheostat close to the fireplace so it can be easily closed whenever you must open the fireplace doors. If the fan is running, the smoke will be drawn out through the doors instead of up the chimney.

ATTENTION: Keep the fireplace fan's electrical circuitry separate from the central blower's circuitry. One must not control the other and vice versa.

Figure #20: Forced Air Distribution Kit



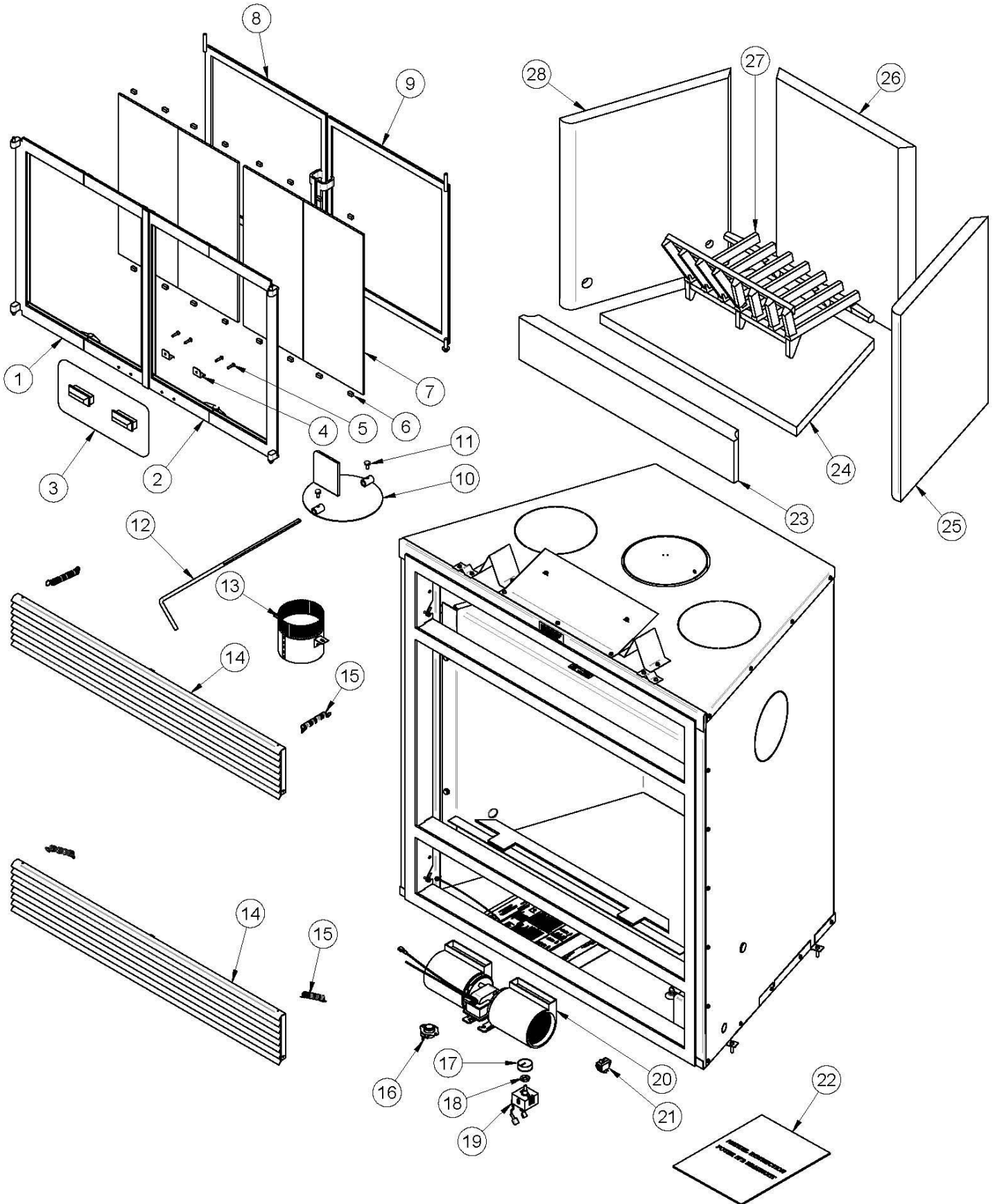
EXPLODED DIAGRAM AND PARTS LIST FP2S06



IMPORTANT: THIS IS DATED INFORMATION. When requesting service or replacement parts for your fireplace, please provide the model number and the serial number. We reserve the right to change parts due to technology upgrade or availability. Contact an authorized dealer to obtain any of these parts. Never use substitute materials. Use of non-approved parts can result in poor performance and safety hazards.

#	Item	Description	Qty
1	SE60087	LEFT DOOR FRAME ASSEMBLY	1
2	SE60090	RIGHT DOOR FRAME ASSEMBLY	1
3	AC09194	BLACK WOODEN DOOR HANDLE (2 PER PACKAGE)	1
4	30217	GLASS CUSHION	4
5	PL60760	DOOR RETAINER	2
6	30158	BLACK METAL SCREW #8 X 1/2" PAN QUADREX TYPE "A"	4
7	VA2051J	CERAMIC GLASS 3/16" X 14 7/8" X 17 1/8"	2
8	SE60093	LH SIDE MECHE DOOR ASSEMBLY	1
9	SE60095	RH SIDE MECHE DOOR ASSEMBLY	1
10	SE60063	EXHAUST DAMPER ASSEMBLY	1
11	30084	NUT 1/4-20 X 1/2" GRADE 5	2
12	PL59815	EXHAUST DAMPER ROD	1
13	PL59765	4" ADAPTER FOR FRESH AIR INTAKE KIT	1
14	SE60079	BOTTOM OR TOP LOUVER ASSEMBLY	2
15	30472	SPRING 1/2" OUTSIDE DIA. X 3"L	4
16	44122	DOUBLE CAGE BLOWER 176 CFM	1
17	VA1150	THERMODISC F120-10F	1
18	44085	RHEOSTAT KNOB	1
19	44087	RHEOSTAT NUT	1
20	44080	RHEOSTAT WITH NUT	1
21	44091	ROCKER SWITCH 2 POSITION MSR-8	1
22	45335	FP2 INSTRUCTION MANUAL	1
23	VA2071-5	FRONT REFRACTORY SLAB	1
24	VA2071-4	FLOOR REFRACTORY SLAB	1
25	VA2071-3	RIGHT REFRACTORY SLAB	1
26	VA2070	CAST IRON GRATE	1
27	VA2071-1	REAR REFRACTORY SLAB	1
28	VA2071-2	LEFT REFRACTORY SLAB	1

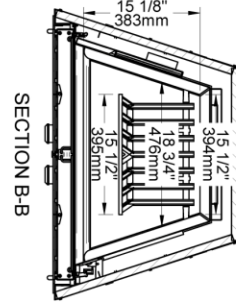
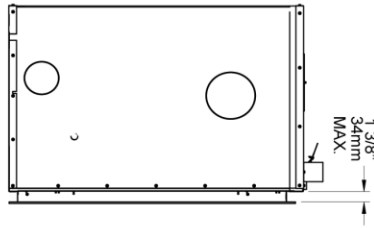
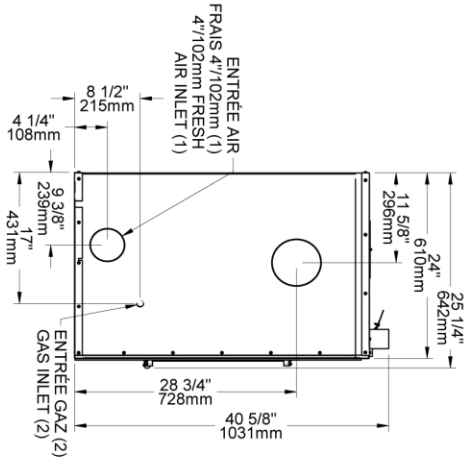
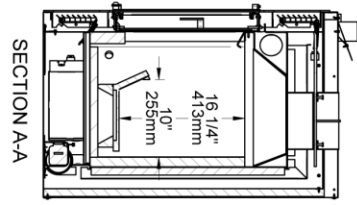
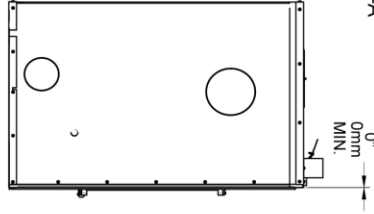
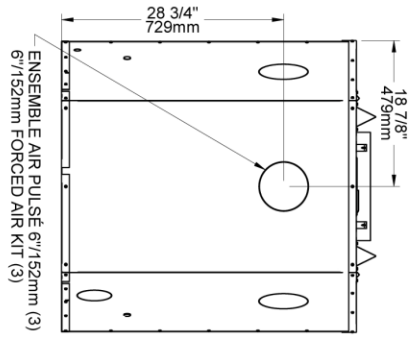
EXPLODED DIAGRAM AND PARTS LIST FP2D06



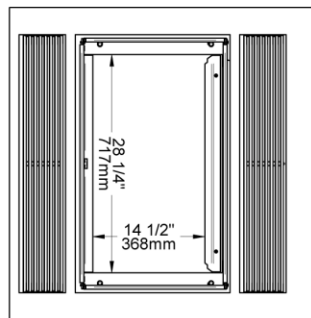
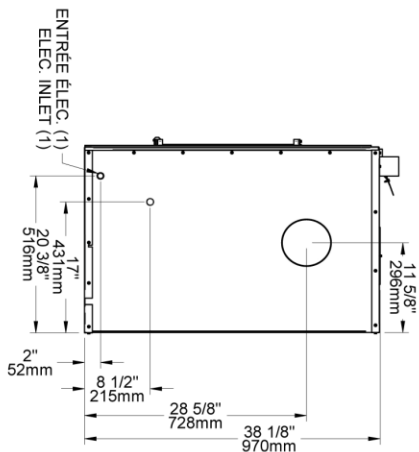
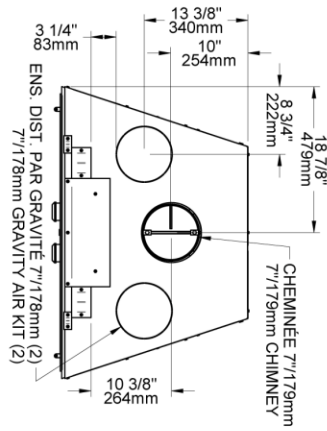
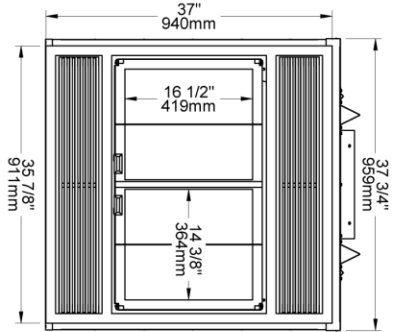
IMPORTANT: THIS IS DATED INFORMATION. When requesting service or replacement parts for your fireplace, please provide the model number and the serial number. We reserve the right to change parts due to technology upgrade or availability. Contact an authorized dealer to obtain any of these parts. Never use substitute materials. Use of non-approved parts can result in poor performance and safety hazards.

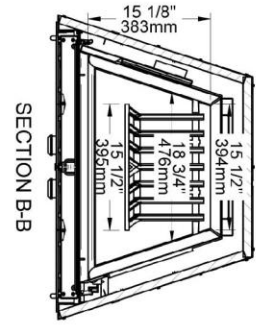
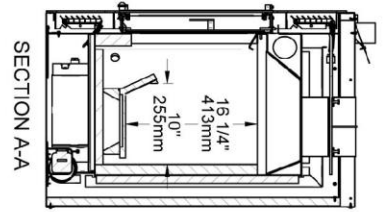
#	Item	Description	Qty
1	SE60045	LEFT FOLDING DOOR FRAME	1
2	SE60046	RIGHT FOLDING DOOR FRAME	1
3	AC09194	BLACK WOODEN DOOR HANDLE (2 PER PACKAGE)	1
4	PL60760	DOOR RETAINER	2
5	30158	BLACK METAL SCREW #8 X 1/2" PAN QUADREX TYPE "A"	4
6	30217	GLASS CUSHION	16
7	VA2051K	CERAMIC GLASS 3/16" X 7 3/8" X 17 1/8"	4
8	SE60093	LH SIDE MECHE DOOR ASSEMBLY	1
9	SE60095	RH SIDE MECHE DOOR ASSEMBLY	1
10	SE60063	EXHAUST DAMPER ASSEMBLY	1
11	30084	NUT 1/4-20 X 1/2" GRADE 5	2
12	PL59815	EXHAUST DAMPER ROD	1
13	PL59765	4" ADAPTER FOR FRESH AIR INTAKE KIT	1
14	SE60079	BOTTOM OR TOP LOUVER ASSEMBLY	2
15	30472	SPRING 1/2" OUTSIDE DIA. X 3"L	4
16	VA1150	THERMODISC F120-10F	1
17	44085	RHEOSTAT KNOB	1
18	44087	RHEOSTAT NUT	1
19	44080	RHEOSTAT WITH NUT	1
20	44122	DOUBLE CAGE BLOWER 176 CFM	1
21	44091	ROCKER SWITCH 2 POSITION MSR-8	1
22	45335	FP2 INSTRUCTION MANUAL	1
23	VA2071-5	FRONT REFRACTORY SLAB	1
24	VA2071-4	FLOOR REFRACTORY SLAB	1
25	VA2071-3	RIGHT REFRACTORY SLAB	1
26	VA2071-1	REAR REFRACTORY SLAB	1
27	VA2070	CAST IRON GRATE	1
28	VA2071-2	LEFT REFRACTORY SLAB	1

VIEWS WITH MEASUREMENTS

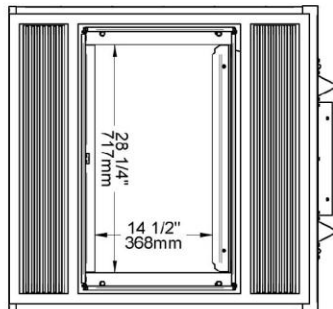
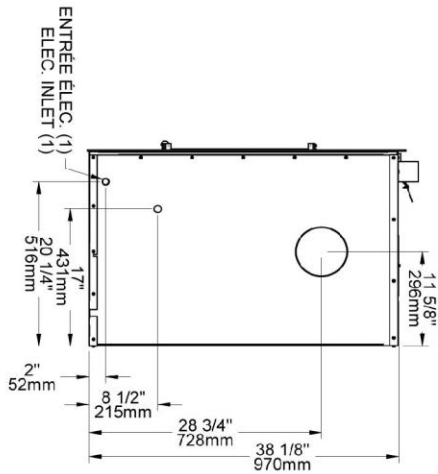
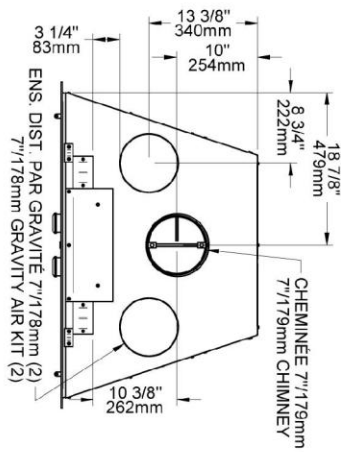
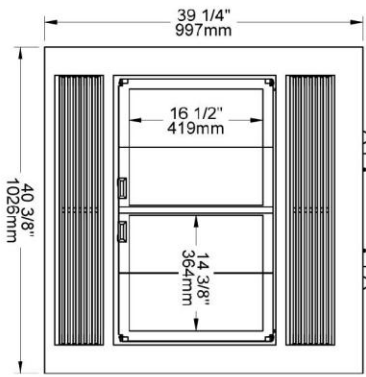
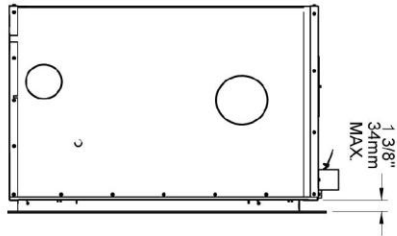
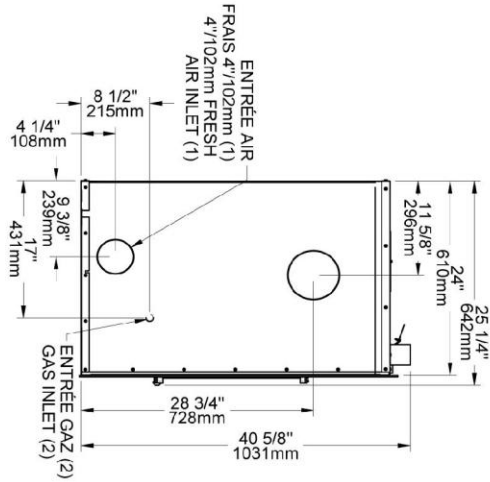
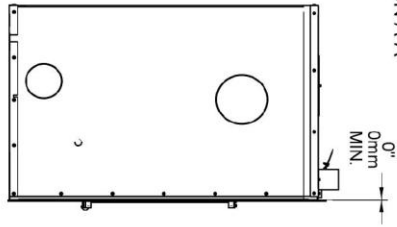
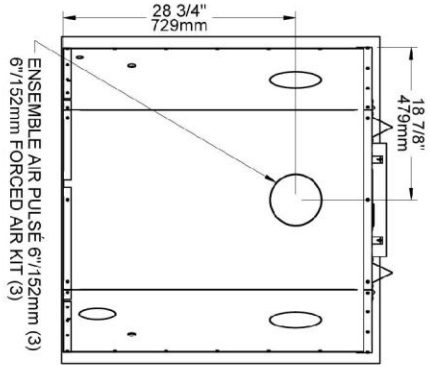


FP2D06

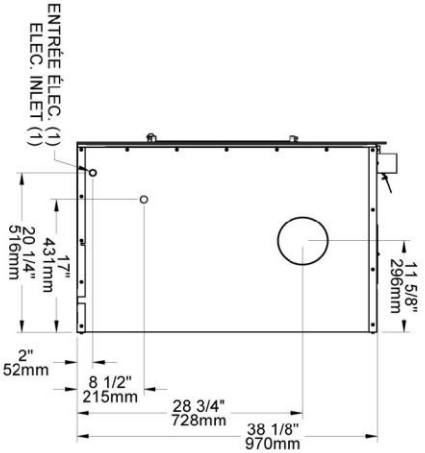
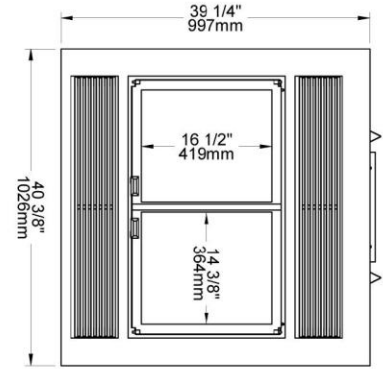
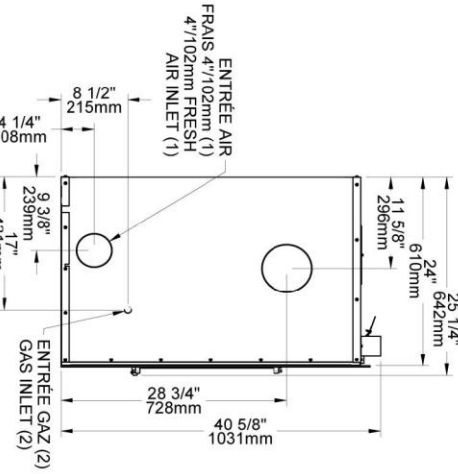
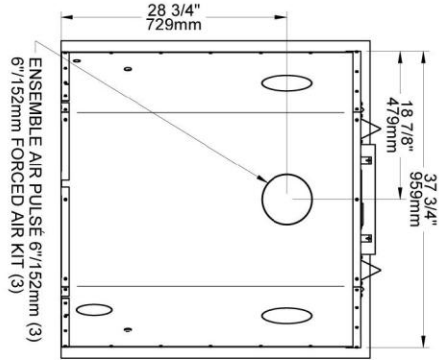
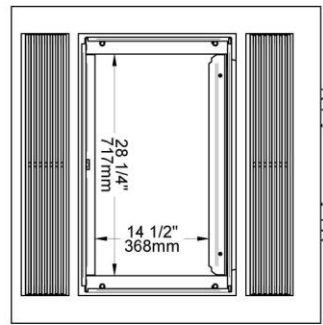
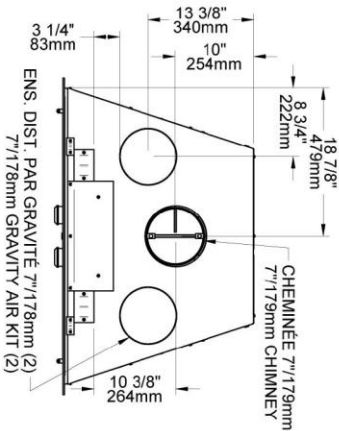
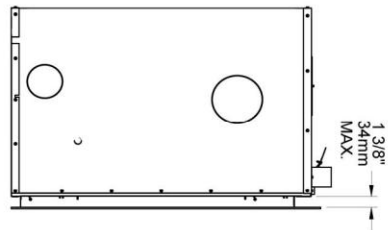
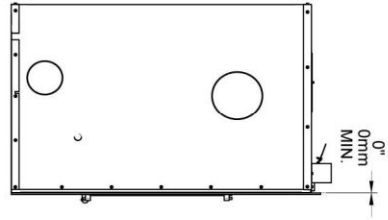
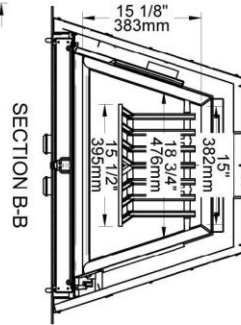
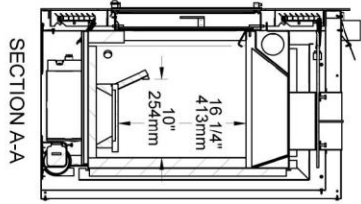




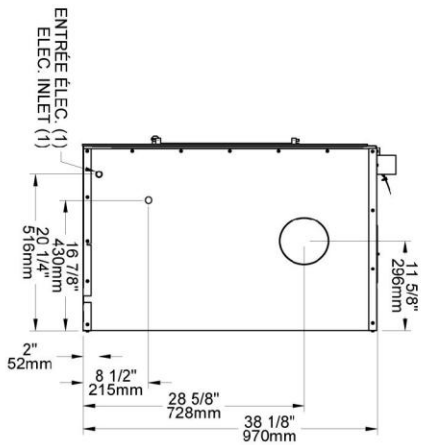
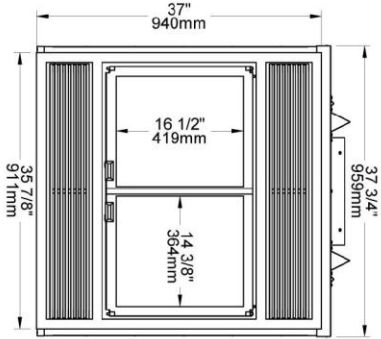
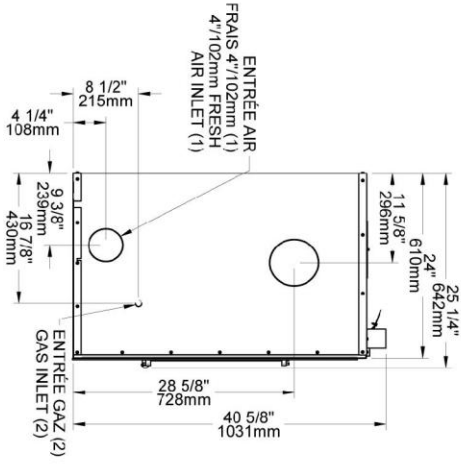
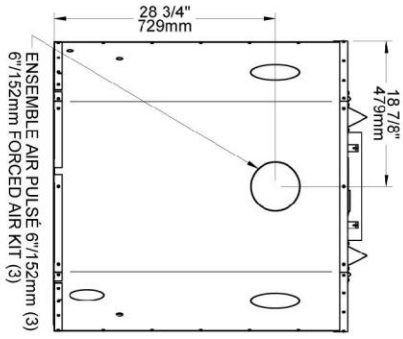
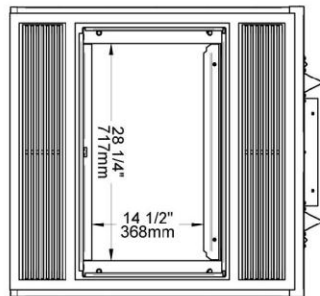
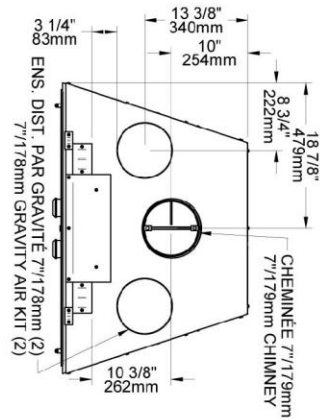
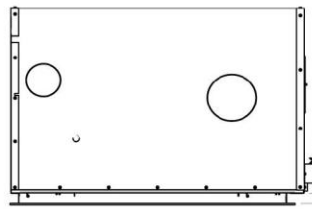
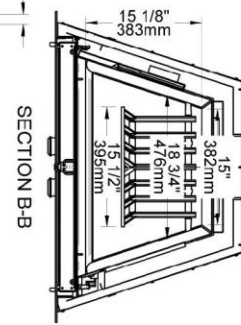
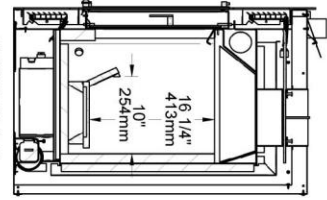
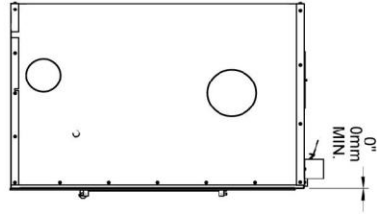
FP2D06



FP2S06



FP2S06



VALCOURT LIMITED LIFETIME WARRANTY

The warranty of the manufacturer extends only to the original consumer purchaser and is not transferable. This warranty covers brand new products only, which have not been altered, modified nor repaired since shipment from factory. Products covered under this warranty must have been manufactured after the revision date indicated below. Proof of purchase (dated bill of sale), model name and serial number must be supplied when making any warranty claim to your VALCOURT dealer.

This warranty applies to normal residential use only. Damages caused by misuse, abuse, improper installation, lack of maintenance, over firing, negligence or accident during transportation, power failures, downdrafts, or venting problems are not covered by this warranty.

This warranty does not cover any scratch, corrosion, distortion, or discoloration. Any defect or damage caused by the use of unauthorized parts or others than original parts void this warranty. An authorized qualified technician must perform the installation in accordance with the instructions supplied with this product and all local and national building codes. Any service call related to an improper installation is not covered by this warranty.

The manufacturer may require that defective products be returned or that digital pictures be provided to support the claim. Returned products are to be shipped prepaid to the manufacturer for investigation. If a product is found to be defective, the manufacturer will repair or replace such defect. Transportation fees to ship the product back to the purchaser will be paid by the manufacturer. Repair work covered by the warranty, executed at the purchaser's domicile by an authorized qualified technician requires the prior approval of the manufacturer. Labour cost and repair work to the account of the manufacturer are based on predetermined rate schedule and must not exceed the wholesale price of the replacement part. All parts and labour costs covered by this warranty are limited according to the table below.

The manufacturer at its discretion may decide to repair or replace any part or unit after inspection and investigation of the defect. The manufacturer may, at its discretion, fully discharge all obligations with respect to this warranty by refunding the wholesale price of any warranted but defective parts. The manufacturer shall in no event be responsible for any special, indirect, consequential damages of any nature, which are in excess of the original purchase price of the product. A one-time replacement limit applies to all parts benefiting from a lifetime coverage. This warranty applies to products purchased after October 1st, 2011.

DESCRIPTION	WARRANTY APPLICATION	
	PARTS	LABOUR
Combustion chamber (welds only), castings, convector air-mate, and ceramic glass (thermal breakage only*).	Lifetime	4 years
Plating* (defective manufacture) – subject to limitations above.	Lifetime	n/a
Stainless steel firebox components, surrounds and heat shields, ash drawer, steel legs, pedestal, trims (aluminum extrusions), C-Cast baffle*, vermiculite baffle* and secondary air tubes*.	5 years	3 years
Carbon steel firebox components, glass retainers, and handle assembly.	3 years	2 years
Blowers, heat sensors, switches, rheostat, wiring, and other controls.	2 years	1 year
Paint (peeling), gaskets, insulation, firebrick, and ceramic fibre blankets.	1 year	n/a

**Pictures required*

Shall your unit or a components be defective, contact immediately your **VALCOURT** dealer. Prior to your call make sure you have the following information necessary to your warranty claim treatment:

- Your name, address and telephone number;
- Bill of sale and dealer's name;
- Installation configuration;
- Serial number and model name as indicated on the nameplate fixed to the back of your unit;
- Nature of the defect and any relevant information.

Before shipping your unit or defective component to our plant, you must obtain from your VALCOURT dealer an Authorization Number. Any merchandise shipped to our plant without authorization will be refused automatically and returned to sender.