

# TUDOR 6030 Wall Mirror - Specification Sheet



## Features

- Dimmable LED task lighting
- Integrated touch sensor control with memory
- Energy efficient LED lighting 5000K
- 3950 Lumens
- CRI 90+
- Integrated Defogger

## Construction

- Quality polished edge mirror
- Single phase wire installation, silver backed, copper free
- Construction for surface mounting
- Includes installation hardware

## Codes/Standards Applicable

- Conforms to UL Std. 962
- Cert. to CSA Std. C22.2 No.250.0-08
- ETL Intertek 5004931

## Electrical System

- 120Vac, 60Hz, 89W
- Electric Current: 0.74A
- Wattage: 89W

## Model

- TUDOR 6030

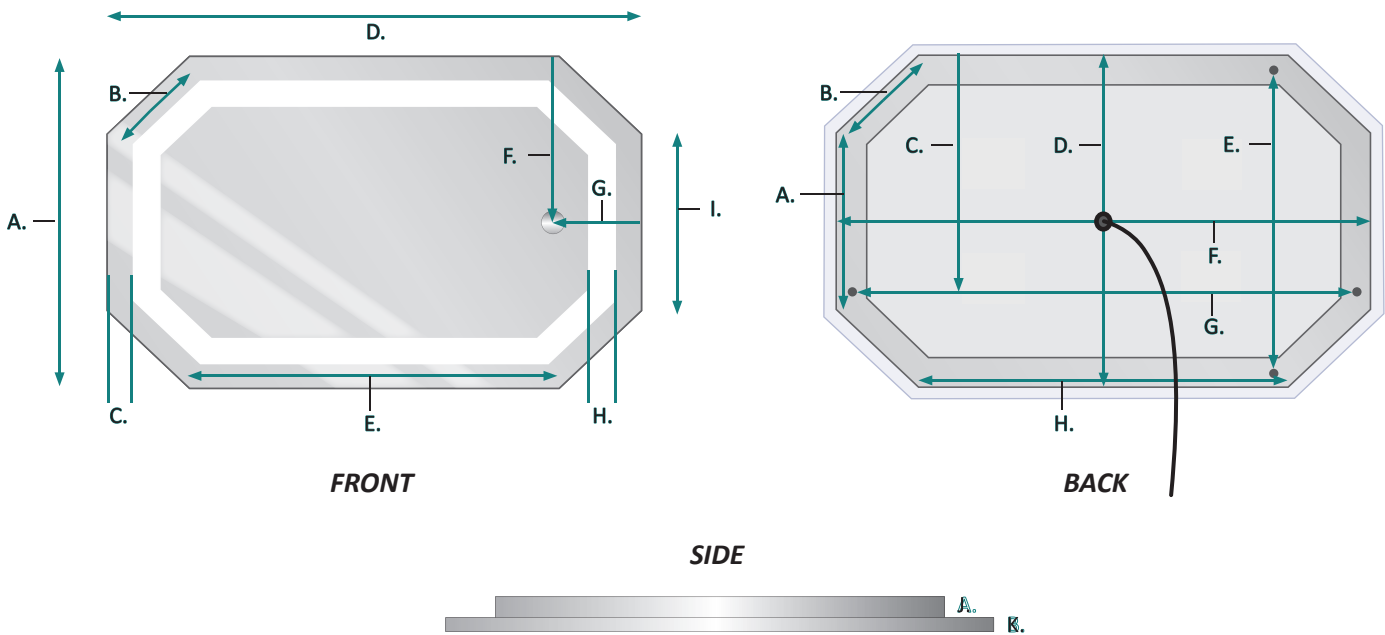


# TUDOR 6030 Wall Mirror - Specification Sheet



## Dimensions

- Height: 30"
- Width: 60"
- Depth: 1-1/2"



### FRONT & SIDE

MODEL	A	B	C	D	E	F	G	H	I	J	K
TUDOR6030	30	7-1/2	1-5/8	60	22	10-1/8	5-1/2	1-3/16	12	1-5/16	3/16

### BACK

MODEL	A	B	C	D	E	F	G	H
TUDOR6030	10-1/2	5-1/2	10-3/4	19-3/8	18-1/2	29-1/4	28-1/4	21-1/4

MODEL	ELECTRIC CURRENT	WATTAGES
TUDOR6030	0.74A	89W