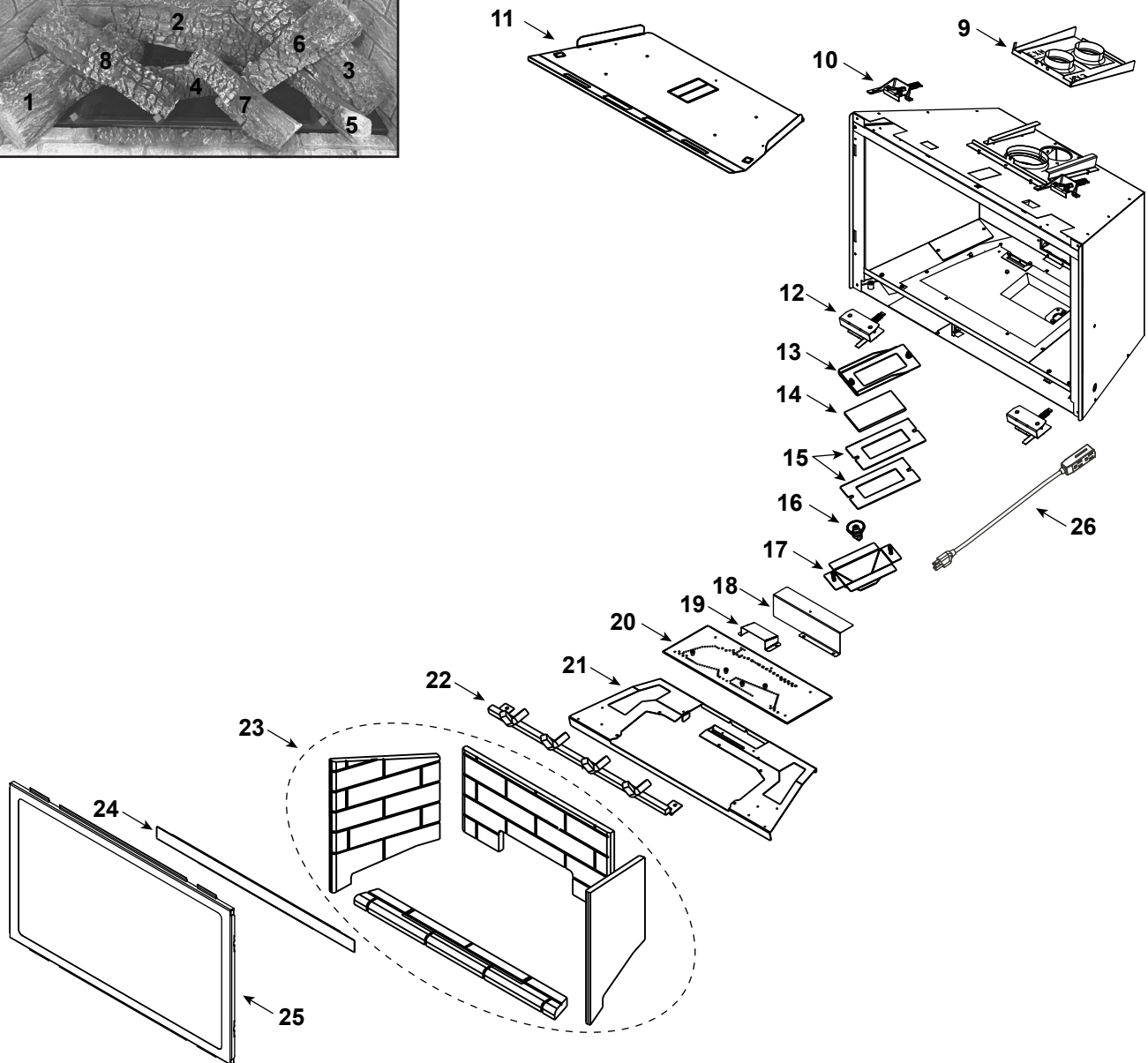
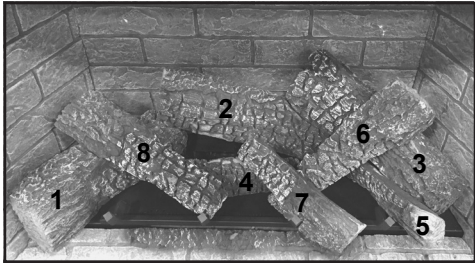




Log Set Assembly



Part number list on following page.



Service Parts

TRILLIANT35IN

Beginning Manufacturing Date: Jun 2023

Ending Manufacturing Date: Active

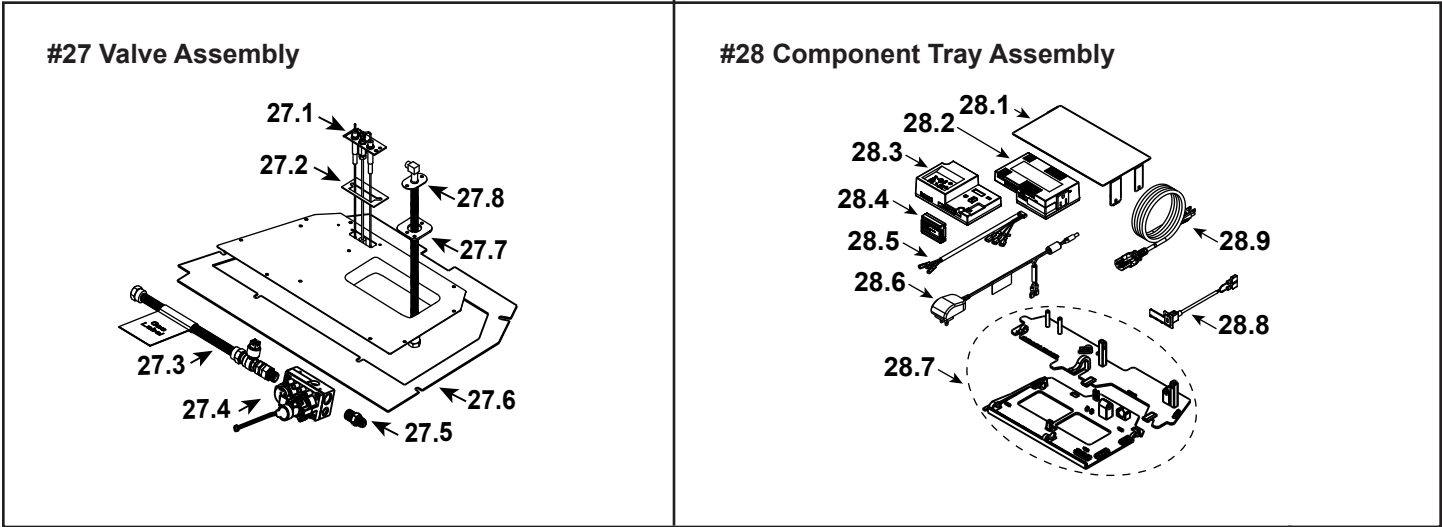
IMPORTANT: THIS IS DATED INFORMATION. Parts must be ordered from a dealer or distributor. **Hearth and Home Technologies does not sell directly to consumers.** Provide model number and serial number when requesting service parts from your dealer or distributor.



Stocked
at Depot

ITEM	DESCRIPTION	COMMENTS	PART NUMBER	
	Log Assembly (Hearth Refractory not Included)		LOGS-2539	Y
1	Log 1		SRV2539-711	
2	Log 2		SRV2539-712	
3	Log 3		SRV2539-713	
4	Log 4		SRV2539-714	
5	Log 5		SRV2538-715	
6	Log 6		SRV2539-716	
7	Log 7		SRV2538-717	
8	Log 8		SRV2539-718	
9	Slide Plate Assembly		2532-014	
	Tool, Slide Plate (Multi-purpose)		2532-140	
	Gasket		2532-113	
10	Glass Clip Assembly, Top	Qty 2 req	2155-046	
11	Baffle, Firebox		2533-138	
12	Glass Clip Assembly, Bottom	Qty 2 req	2532-009	
13	Light Glass, Hold Down	Qty 2 req	2532-149	
14	Accent Glass	Qty 2 req	2532-151	
15	Light Glass Gasket	Qty 4 req	2532-150	
16	Halogen Reflector Lamp, 50W	Qty 2 req	2201-150	Y
17	Light Tub Assembly	Qty 2 req	2532-006	
	Light Wire Assembly		2532-017	Y
18	Air Scoop		2532-135	
19	Pilot Shield		2532-153	
20	Burner Assembly		2539-007	Y
21	Base Pan		2539-130	
22	Grate		SRV2538-014	
23	Refractory Assembly		SRV2539-076	
	Hearth, Refractory		SRV2539-703	
24	Seal, Glass Frame		2533-122	
25	Glass Door Assembly		GLA-2533	Y
26	Power Cord		2201-024	Y
	Fan		GFK-160A	Y

Additional service part numbers appear on following page.



IMPORTANT: THIS IS DATED INFORMATION. Parts must be ordered from a dealer or distributor. **Hearth and Home Technologies does not sell directly to consumers.** Provide model number and serial number when requesting service parts from your dealer or distributor.



Stocked at Depot

ITEM	DESCRIPTION	COMMENTS	PART NUMBER	
27.1	Pilot Assembly NG		2550-013	Y
	Pilot Assembly Propane		2550-014	Y
27.2	Pilot Gasket		2532-134	
27.3	Flex Ball Valve Assembly		2532-081	Y
27.4	Valve NG		SRV2166-302	Y
	Valve Propane		2166-303	Y
27.5	Male Connector	Pkg of 5	303-315/5	Y
27.6	Gasket, Valve Plate		2532-131	
27.7	Gasket, Bulkhead		438-407	
27.8	Bulkhead w/Flex Tube		SRV7000-156	Y
	Orifice NG (#33C)		582-833	Y
	Orifice Propane (#50C)		582-850	Y
28.1	Component Heat Shield		2532-144	Y
28.2	Module, B Type AC		SRV2326-150	Y
28.3	Module, IFT Control		SRV2326-130	Y
28.4	Module, RF FCC		SRV2326-120	Y
28.5	Harness, IFT 6 Pin Wiring		SRV2326-132	Y
28.6	6 Volt DC Power Adapter		2326-191	Y
28.7	Tray, Component & Wire		2532-172	Y
28.8	Assembly, USB-C Bracket		2532-301	Y
28.9	Cable, B Type AC Module		SRV2326-152	Y

Additional service part numbers appear on following page.

