

Superior
FIREPLACES®

Our name is our promise.



The DRL3500 Series linear direct vent gas fireplace offers a modern, low profile design that is just right for contemporary and transitional spaces. Its sleek opening provides an exceptional view of the gently dancing flames while floor lighting allows you to customize the mood. The DRL3500 Series is a fully featured fireplace that comes complete with a heat-circulating blower and multi-function remote for the ultimate in comfort and control.



FEATURED DRL3545 shown with platinum crushed glass media and optional black porcelain liner

STANDARD FEATURES

- 🔥 Available in a 35", 45", and 55" linear configured models
- 🔥 HeatFlo™ kit option allows heat to be directed above heat sensitive wall hangings (45" & 55" models only)
- 🔥 Electronic ignition with battery backup provides continued operation in the event of a power outage
- 🔥 Clean-face design with integrated tile stops for easy finishing
- 🔥 Decorative surrounds available to compliment drywall finished applications
- 🔥 Outstanding heating efficiency for increased comfort and lower operating costs
- 🔥 Standard tempered glass and a protective screen*
- 🔥 Black painted interior standard (optional porcelain liner available)
- 🔥 Platinum crushed glass media included with several optional colors available to customize the look
- 🔥 Optional driftwood logs and river rocks are a perfect addition for a transitional design
- 🔥 Mood enhancing floor lighting with six distinctive settings
- 🔥 Factory installed blower with six speed settings to fine tune your heating needs
- 🔥 Multi-function remote control included (IPI/CPI, thermostat, flame height, blower, lighting)
- 🔥 20 year limited warranty

*All applicable models comply with ANSI Z21.88 barrier requirements.

INTERIOR

Liner



Black Painted Interior (Standard)



Black Reflective Glass Liner (Optional)

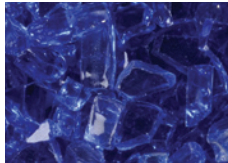
Media



Platinum Crushed Glass (Standard)



Reflective Black Crushed Glass



Reflective Blue Crushed Glass



High-Definition Driftwood Log Set for 55" Models



High-Definition Driftwood Log Set for 45" Models



High-Definition Driftwood Log Set for 35" Models



River Rock Assorted Set

DECORATIVE SURROUNDS



Black Surround



Stainless Surround

CONTROL



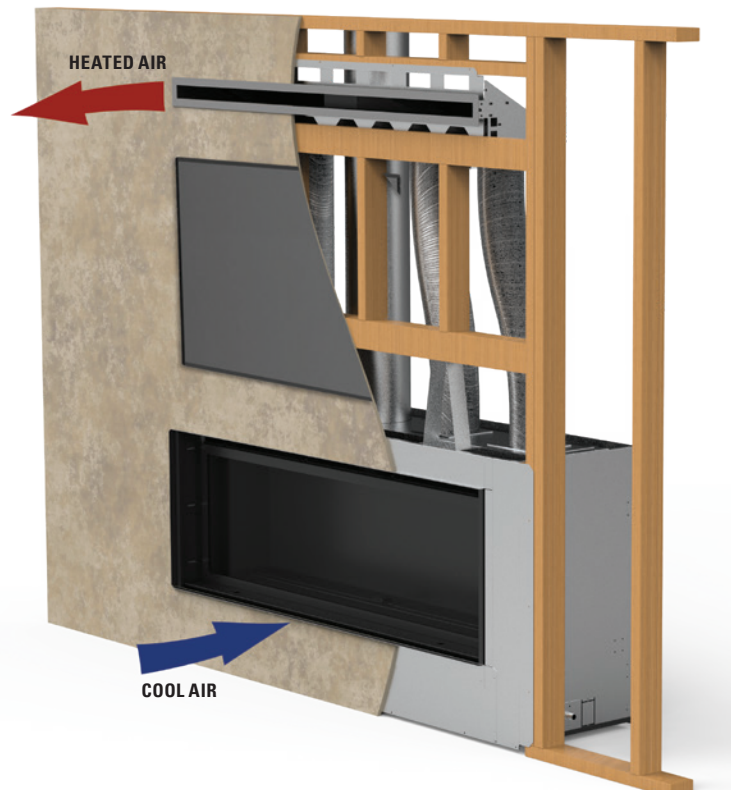
ProFlame II Remote

- Manual On/Off and Smart Thermostat Modes
- 6 Flame Modulation Settings
- 6 Blower Control Settings
- 6 Interior Illumination Settings

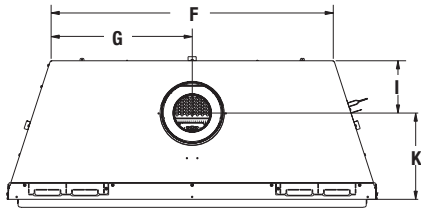
HEATFLO KIT

Protect heat sensitive televisions, artwork and other decorative wall materials. No blower required, the HeatFlo kit works through natural convection to redirect heat from the fireplace upward through hidden ductwork and out through a sleek horizontal vent. Walls stay cooler and heat flows more evenly through the room for a comfortable fireplace experience.

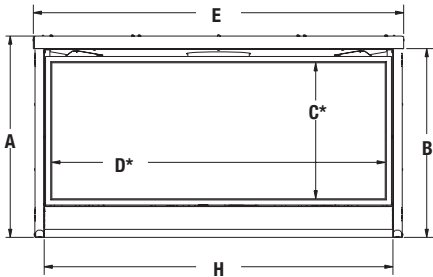
- TV & Artwork can be placed above the fireplace
- Helps protect heat sensitive wall facing materials
- Improves convective heat circulation in the room
- No electricity or blower required for operation



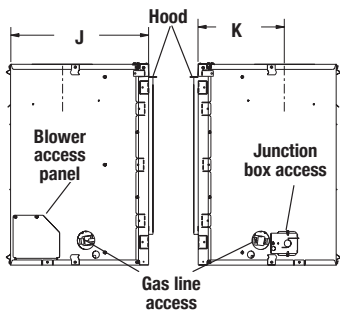
APPLIANCE SPECIFICATIONS



TOP VIEW



FRONT VIEW



LEFT SIDE VIEW

RIGHT SIDE VIEW

	DRL3535	DRL3545	DRL3555
A	24-3/4"	24-3/4"	24-3/4"
B	23-1/4"	23-1/4"	23-1/4"
C	16-3/4"	16-3/4"	16-3/4"
D	30"	40"	50"
E	35-1/2"	45-1/2"	55-1/2"
F	24-3/4"	34-3/4"	44-3/4"
G	12-3/8"	17-3/8"	22-3/8"
H	32-7/8"	42-7/8"	52-7/8"
I	6-1/2"	6-1/2"	6-1/2"
J	17"	17"	17"
K	10-5/8"	10-5/8"	10-5/8"

FIREPLACE BTU OPERATING RANGE

MODEL	FUEL	BTU/HR	AFUE	P4
DRL3535	NG	18,000-12,000	69.2	65.1
DRL3535	LP	16,000-13,000	55.3	63.1
DRL3545	NG	23,000-16,000	66.9	62.4
DRL3545	LP	21,000-17,000	61.9	65.0
DRL3555	NG	28,000-19,000	67.7	62.4
DRL3555	LP	27,000-21,000	61.0	63.4

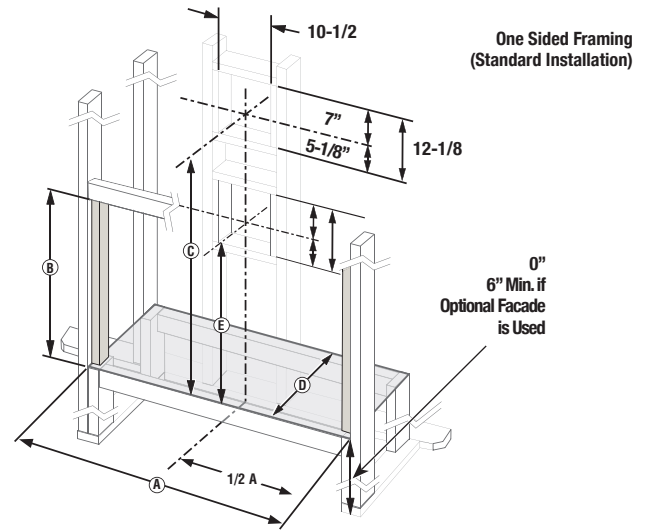
IMPORTANT NOTES:

As with any fireplace, this appliance is extremely hot during operation. Read and understand all operating instructions before using this appliance. For further information, consult your dealer. Local conditions, such as elevation and choice of fuel will affect overall appearance of the fire and heating performance. Performance can also vary with home design and insulation, ceiling height, accessories chosen and appliance location. Diagrams, illustrations and photographs are not to scale — consult installation instructions. Product designs, materials, dimensions, specifications, colors and prices are subject to change or discontinuance without notice.

On the Cover: DRL3555 fireplace with platinum crushed glass media, optional black porcelain liner, driftwood logs, and river rocks



FRAMING SPECIFICATIONS



DRL3500 FRAMING

MODEL	A	B	C	D	E
35" MODELS	35-7/8"	29"	42"	18"	31-1/2"
45" MODELS	45-7/8"	29"	42"	18"	31-1/2"
55" MODELS	55-7/8"	29"	42"	18"	N/A

C = Height for installations with 12" section directly off unit then elbow

D = for flush framing.

E = Height for installations with elbow directly off unit (see note below)

* Minimum opening size; additional 1/8" per side is recommended.

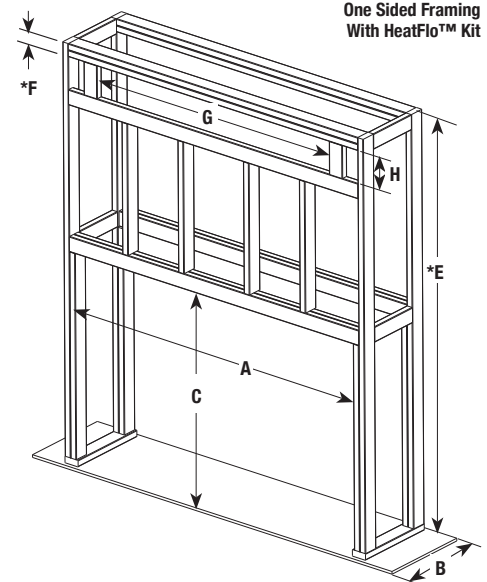
NOTE: Framing specifications do NOT apply for flexible venting. When using flexible venting, refer to the kit requirements for framing specifications.

NOTE: 35" & 45" model = Strongly recommend at least 1 ft of vertical rise directly off top of unit.

55" = 1 ft of vertical rise is required directly off unit.

DRL3500 HEATFLO FRAMING

	45" One Sided Framing HeatFlo Kit	55" One Sided Framing HeatFlo Kit
A	45-7/8"	55-7/8"
B	18"	18"
C	29"	29"
E	81-1/2"	81-1/2"
F	1-1/2"	1-1/2"
G	43-1/2"	53-1/2"
H	5-1/8"	5-1/8"



E = Minimum height from appliance base to ceiling

F = Minimum opening distance from ceiling to allow for min distance from HeatFlo register to ceiling of 6"

REFER TO SPEC SHEET FOR COMPLETE SEE-THROUGH APPLICATIONS AND INSTRUCTIONS.