

450 SERIES

24" Built-In Fully Integrated Panel Ready Dishwasher

F24DWS450PR

[CLICK FOR
DETAIL VIEW](#)

FRONT



OPEN



DETAIL



PRODUCT DIMENSIONS

Width	23 9/16 in.	59.85cm
Height	32 8/16 in.	82.5cm
Depth	22 7/16 in.	58cm
Product Weight	100.31 lbs.	45.5kg
Shipping Weight	114.64 lbs.	52kg

ADDITIONAL SPECS

No. of Cycles	6
Rated Voltage	120V-60Hz
Wash Motor	100W
Heater	700W
Water Feed Pressure	2.9-145 PSI
Water Usage Per Cycle	3.48 Gal 12.1 L
Warranty Terms	1 Year
Certification	Energy Star
Available Colors	Panel Ready

FEATURES:



METAL TOUCH CONTROLS
Start your dishwasher from a sleek stainless steel control panel.



SMART WASH SYSTEM
Operate with ease, as Smart Wash will automatically sense required soil level for small loads.



SILENT WASH
Run your dishwasher day or night, the 49 dBA motor will ensure you hardly hear it in operation.



24 HR DELAYED START
Set and forget, with a delayed start function. Allowing you to come home to clean dishes, everyday.



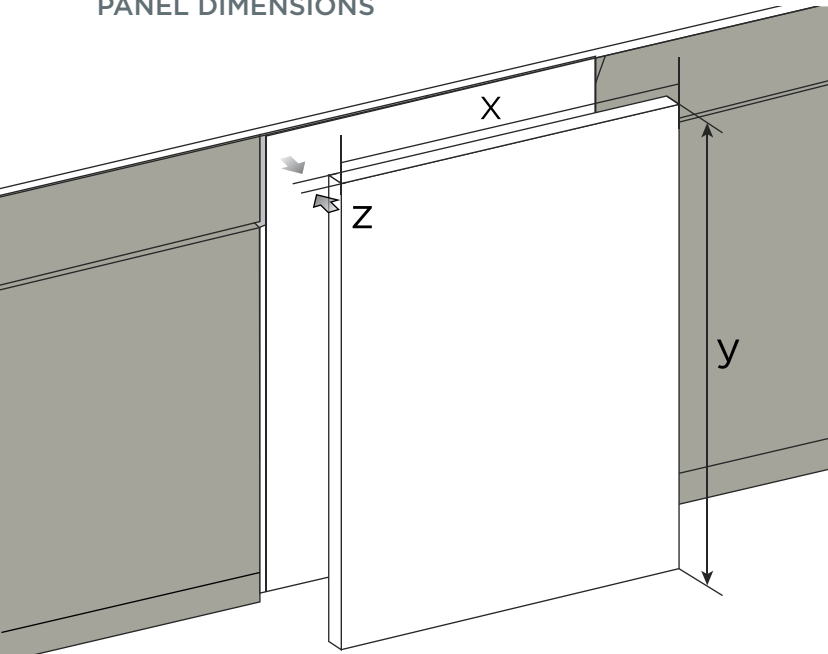
HEAT DRYING SYSTEM
A high powered heating element delivers maximum performance and unrivaled drying times.



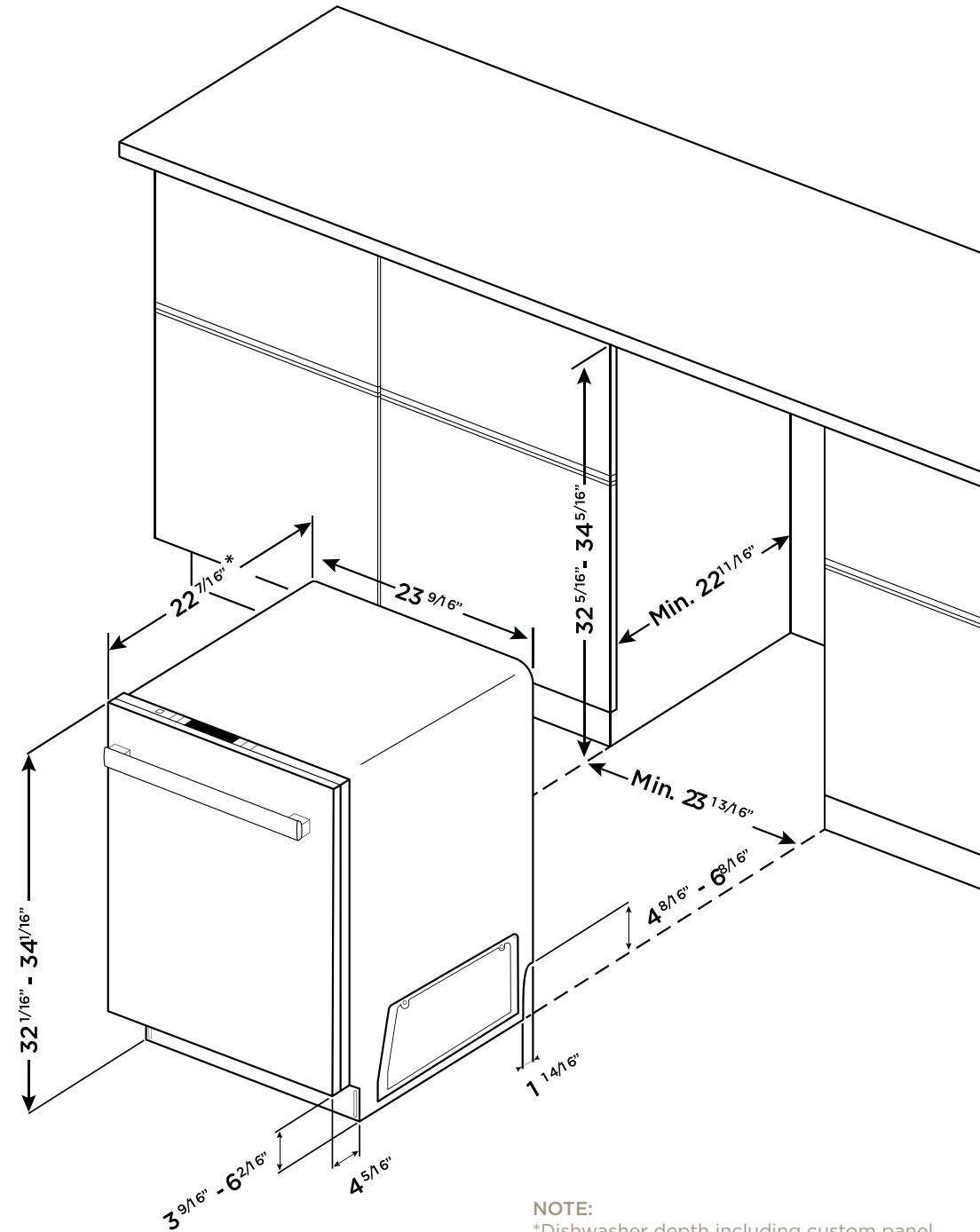
10 PLACE SETTINGS
Maximize each wash with 10 total place settings for all your silverware and cutlery.

INSTALLATION GUIDE

RECOMMENDED PANEL DIMENSIONS



IN.	MIN.	MAX
X	23 ³ / ₁₆ "	23 ⁵ / ₁₆ "
Y	28 ⁶ / ₁₆ "	28 ⁶ / ₁₆ "
Z	10/16	10/16



NOTE:
*Dishwasher depth including custom panel.