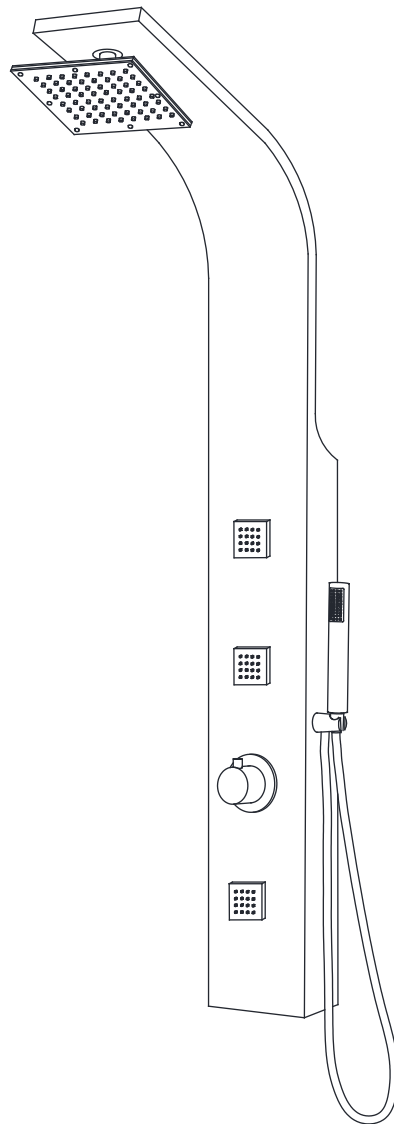




ANZZI™

---

## INSTALL GUIDE



Model#  
SP-AZ077  
SP-AZ8106

---

PERFECTION IS OUR TRADITION™

---

# TABLE OF CONTENTS

Parts List	Pg. 1
Before You Start	Pg. 2
Spec Drawing	Pg. 3
Installation	Pg. 4
Care & Maintenance	Pg. 12
Warranty	Pg. 13
Registration	Final Page

## YOUR REVIEWS MATTER!

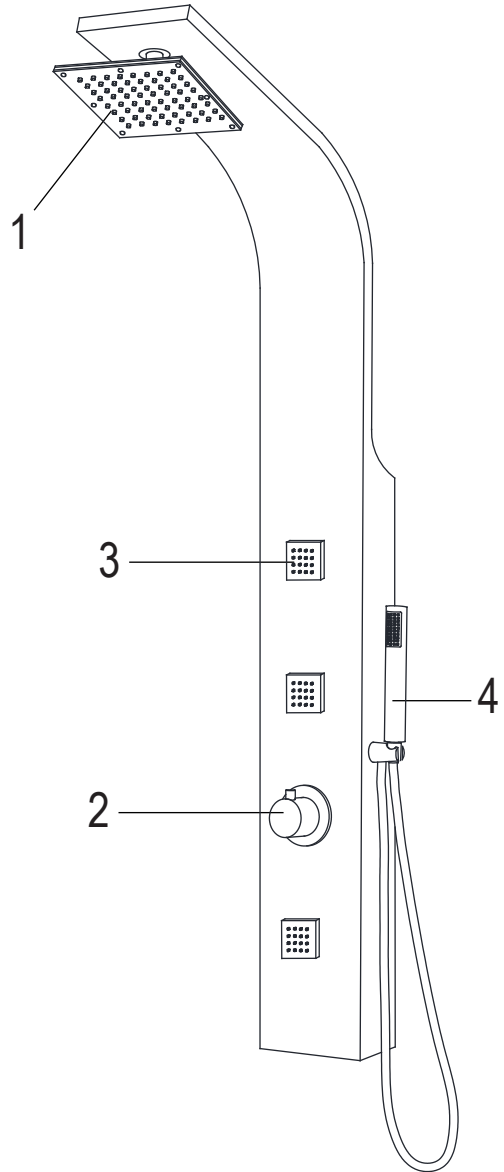
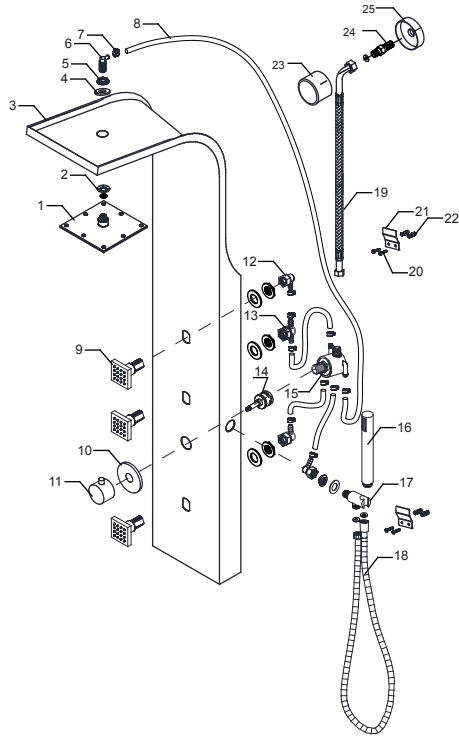


The ANZZI™ Family thanks you for your purchase and hopes you enjoy your very own ANZZI product for years to come! In the meantime let us know about your experience? We would love to hear your thoughts from the packaging to the quality and function of the product.

Also, we humbly request submitting as many pictures as possible along with your review. Millions of shoppers will want to know about your experience with our products. Don't just tell but show, too!

---

# PARTS LIST



Component no.	Component	Material
1	head shower	s/s
2	flange	brass
3	body	s/s
4	washer	EPDM
5	nut	brass
6	connector	brass
7	clip	s/s
8	pvc hose	pvc
9	body jets	brass
10	knob plate cover	s/s
11	knob	zinc
12	one way joint	ABS
13	two ways joint	ABS
14	function cartridge	ABS
15	faucet	brass
16	hand shower	ABS
17	hand shower holder	ABS
18	flexible hose	s/s
19	braided hose	s/s
20	screw	s/s
21	bracket	s/s
22	plug	ABS
23	cap	ABS
24	long- short connector	ABS
25	base	ABS

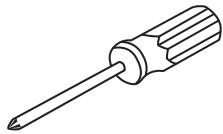
- 1. Shower Head
- 2. Diverter
- 3. Body Jets
- 4. Hand Shower

PERFECTION IS OUR TRADITION™

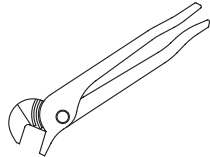
---

# BEFORE YOU START

## Recommended Items



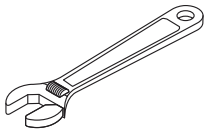
Screwdriver



Channel Locks



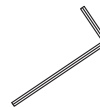
Goggles



Adjustable Wrench



Teflon tape

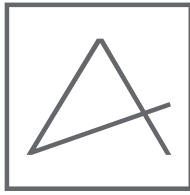


Allen key

ATTENTION: Please read all instructions thoroughly including all warnings, attentions and notes before beginning installation.

---

# SPEC DRAWING



ANZZI™

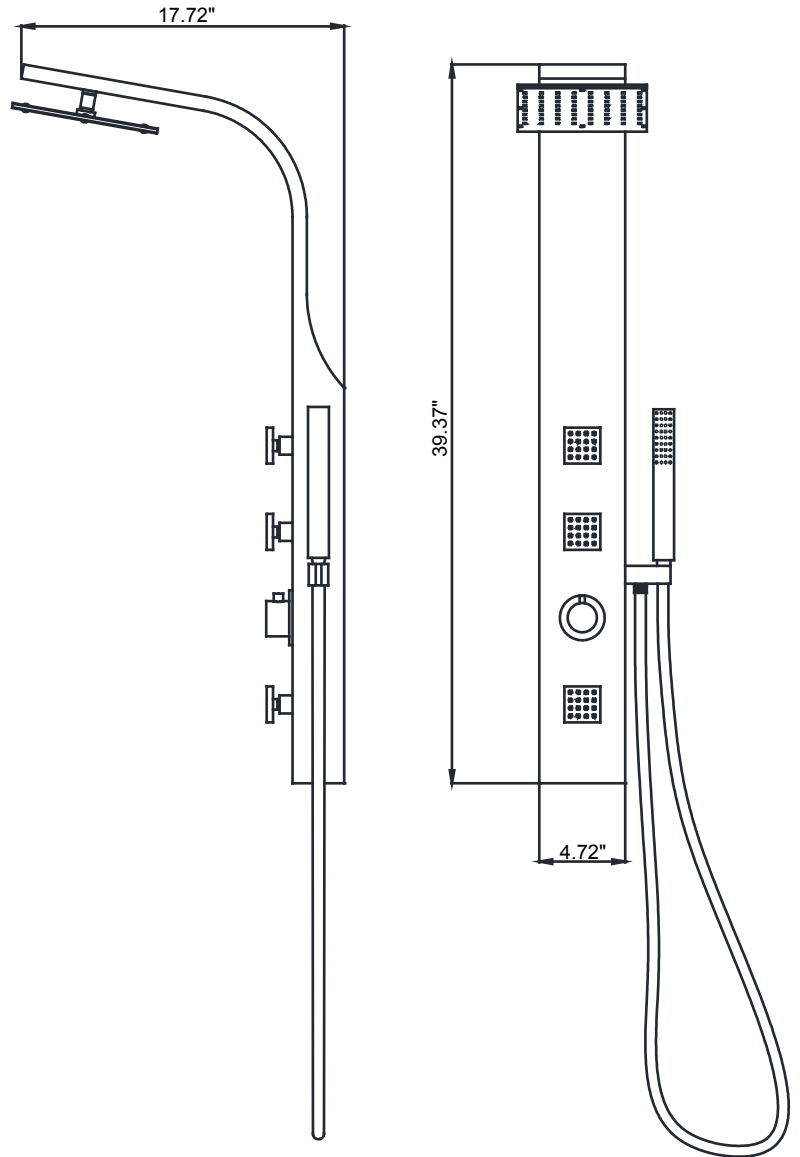
Perfection is our Tradition™

SP-AZ077

Material: Stainless Steel  
Finish: Brushed  
Handles: 1  
Jets: 3  
Shower: 6.89"x6.89"  
Sprayer: 60" reach  
Weight: 10.80 lbs  
Height: 39.37"  
Supply: 1/2" connections  
Flow: 2.5 gpm

## Features

Heavy Rain™ Showerhead  
Acu-Stream™ high pressure body jets  
Euro-Grip™ hand held sprayer  
Rhino Alloy™ certified materials



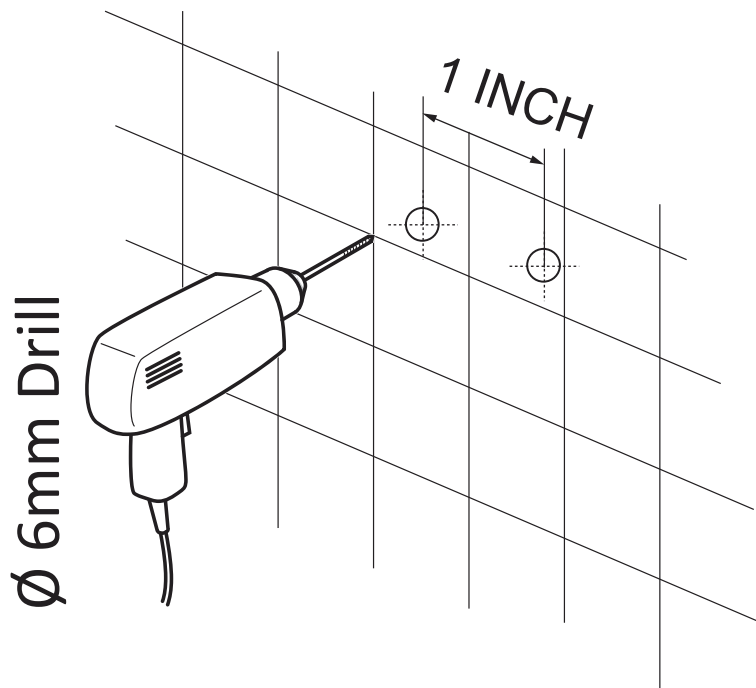
---

PERFECTION IS OUR TRADITION™

---

# INSTALLATION (SETUP)

Figure A



**IMPORTANT** Before drilling any holes for the shower panel brackets, ensure there are no hidden cables or pipelines aligned with the desired drilling position.

**Step A** Drill the two holes for the top bracket 1" apart at the desired height.

**Step A.2** Drill the two holes for the bottom bracket 1" apart at approximately 45" below the top bracket.

---

# INSTALLATION (SETUP)

Figure B



Figure C



**Step B** Insert the wall anchors into the pre-drilled holes as shown in Figure B.

**Step C** Place the shower panel brackets aligned with the drilled holes and using a Philips screwdriver tighten the screws to secure the brackets.

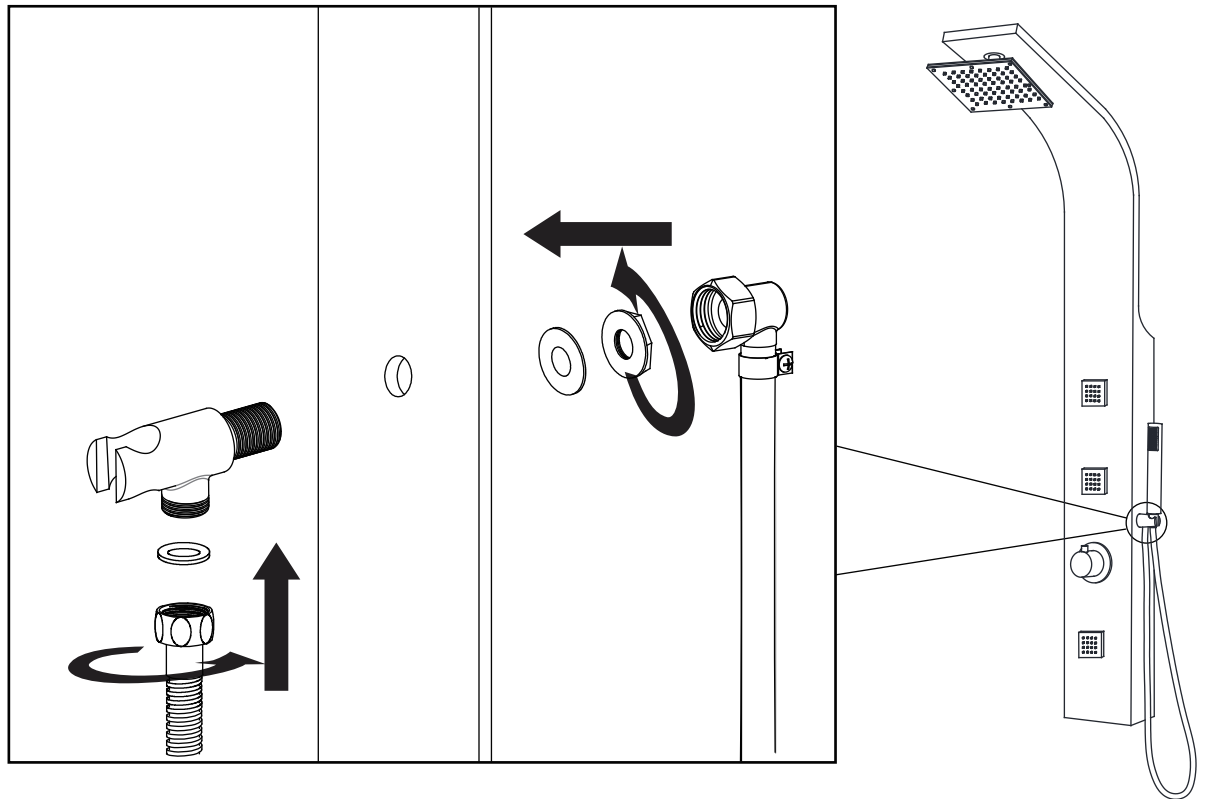
---

PERFECTION IS OUR TRADITION™

---

# INSTALLATION (HANDSHOWER)

Figure 1



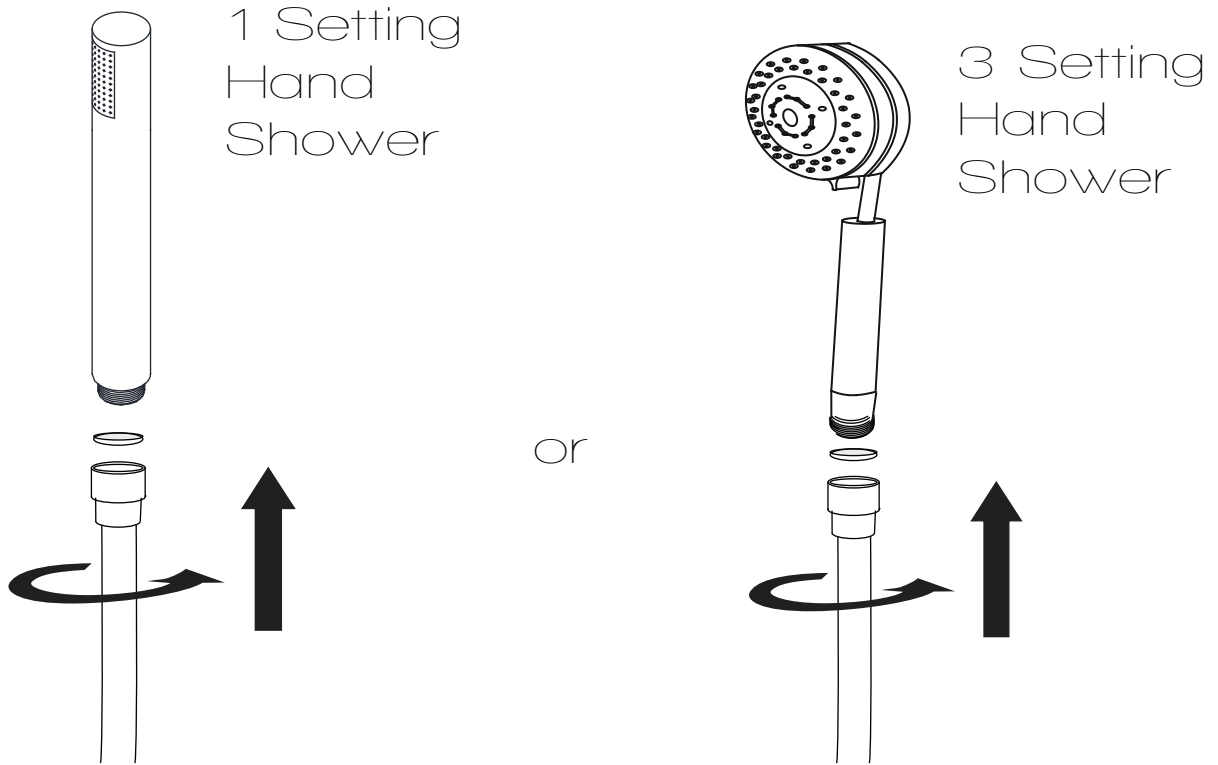
- Step 1A** Insert the shower wand holder through the pre-drilled hole on the shower panel.
- Step 1B** Install the water supply hose for the shower wand onto the holder, as shown.
- Step 1C** Make sure all O-rings are inserted to prevent leakage.
- Step 1D** Once the shower panel is fully installed and hung on the bracket, you can install the shower wand hose to the holder connection.



---

# INSTALLATION (HANDSHOWER)

Figure 2

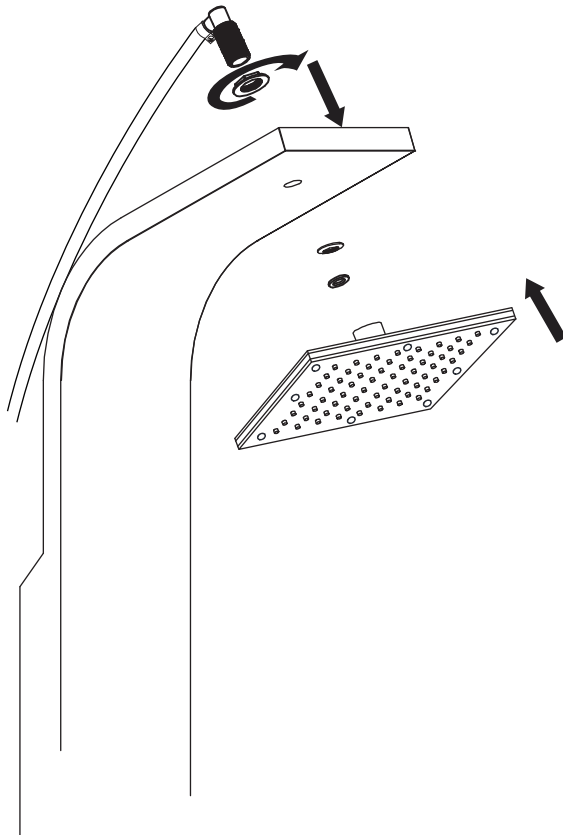


**Step 2A** Finally, install the shower wand to the hose, as shown.

---

# INSTALLATION (SHOWER HEAD)

Figure 3



**Step 3A** Install the shower head to the upper threader connectin on the shower panel as shown.

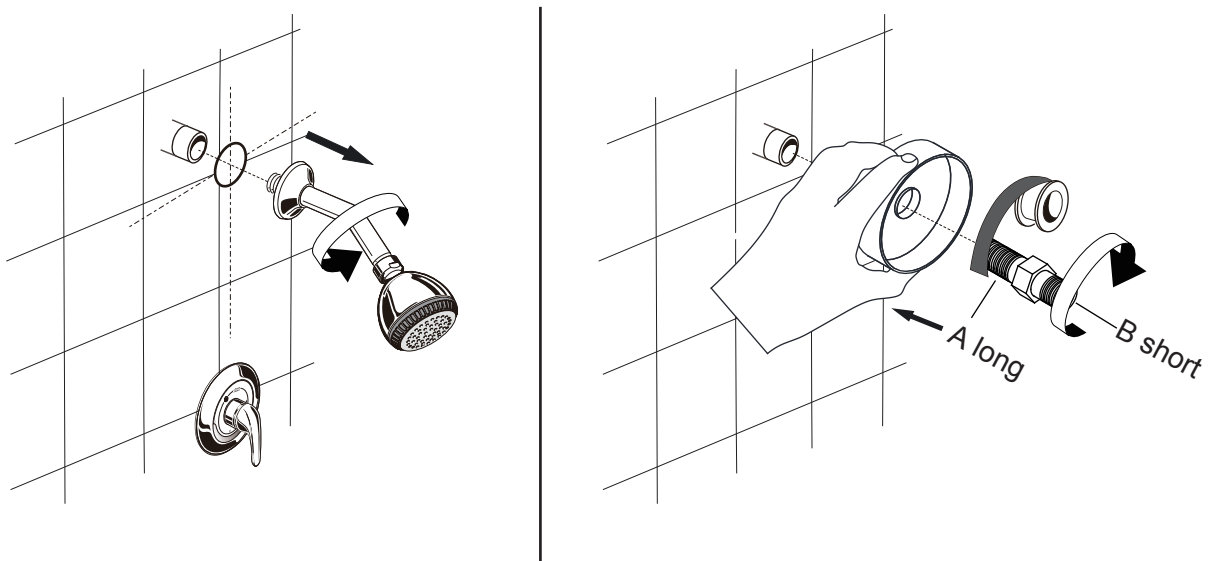
---

PERFECTION IS OUR TRADITION™

---

# INSTALLATION

Figure 4



**Step 4A** Remove the old existing shower head and shower head arm assembly

**Step 4B** Hold the plastic base against the wall, connect the 1/2" brass extender joint to the existing outlet. Use waterproof plumbing tape to secure the connection and prevent leaks

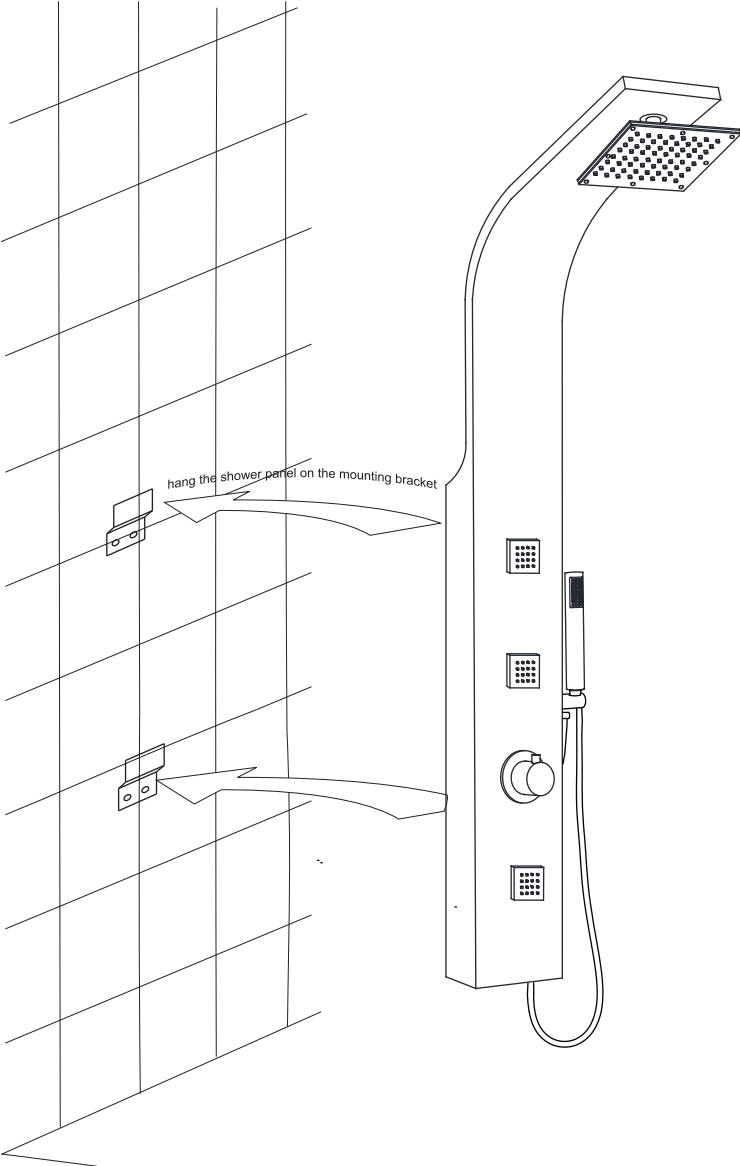
---

PERFECTION IS OUR TRADITION™

---

# INSTALLATION (WALL MOUNTING)

Figure 5



Carefully hang the shower panel on the secured mounting brackets .

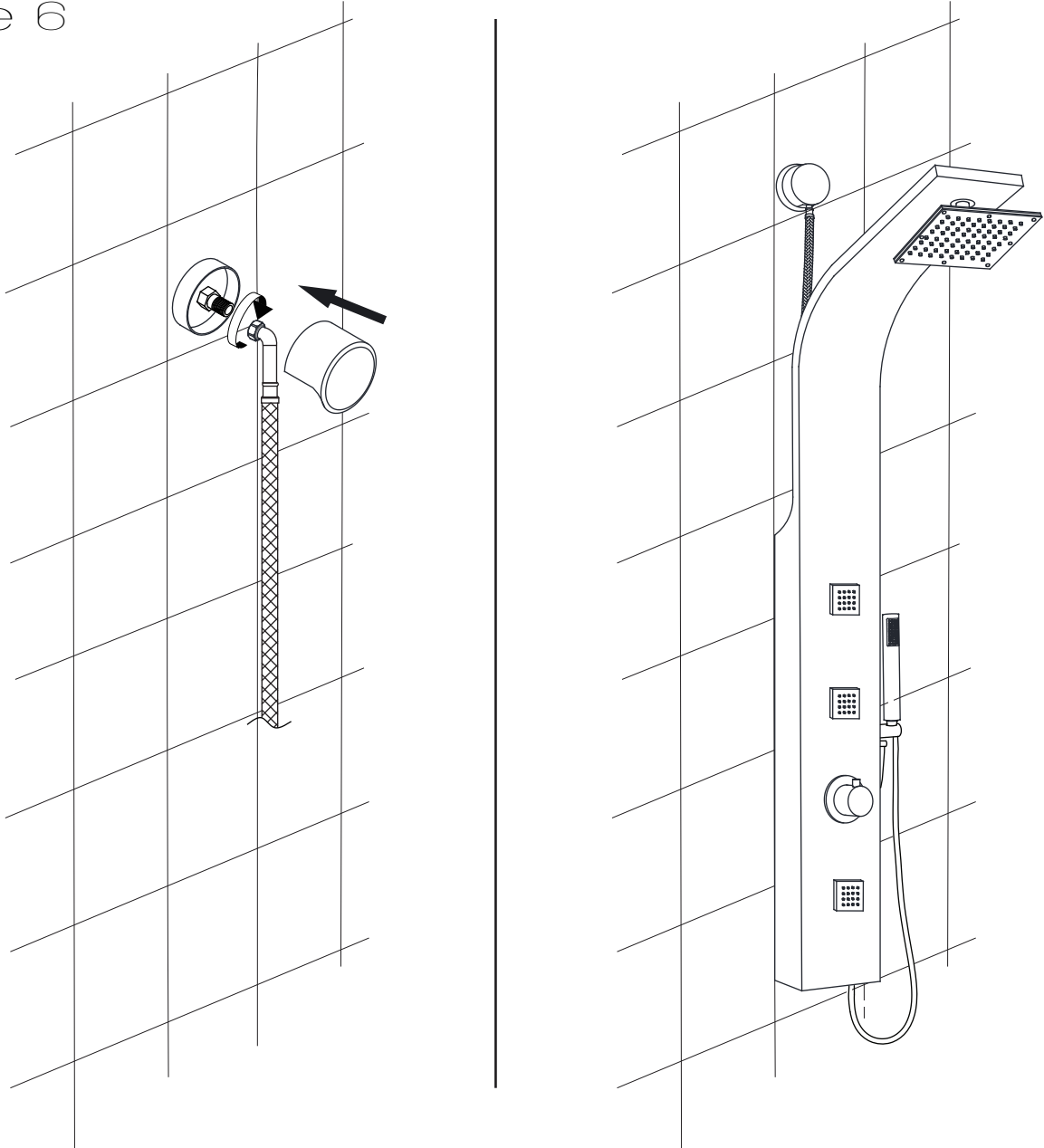
---

PERFECTION IS OUR TRADITION™

---

# INSTALLATION

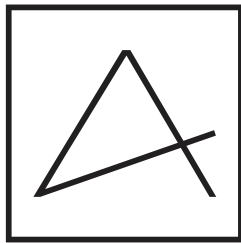
Figure 6



**Step 6** Connect shower panel water supply hose to the existing plumbing

---

PERFECTION IS OUR TRADITION™



ANZZI™

---

Perfection is our Tradition™