

# SVANGE 2436L - Specification Sheet

## Features

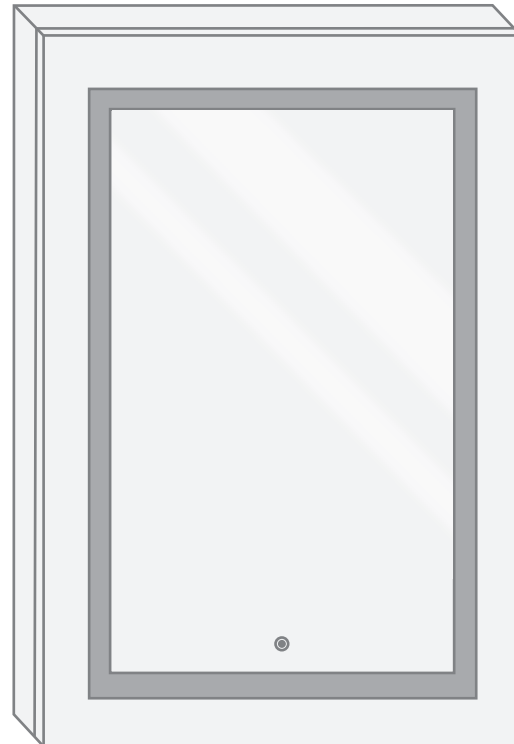
- Dimmable LED task lighting
- Integrated touch sensor control with memory
- Energy efficient LED lighting 5000K
- 3100 Lumens
- CRI 90+
- Integrated Defogger

## Construction

- Quality polished edge mirror
- Single phase wire installation
- 5 MM Silver Backed Copper Free
- Installation Either Surface Mount (Side Mirror Trim Panels included) or Recessed
- Includes installation hardware

## Codes/Standards Applicable

- Conforms to UL Std. 962
- Cert. to CSA Std. C22.2 No.250.0-08
- ETL Intertek 5004931



## Electrical System

- 120Vac, 60Hz, 53W
- Electric Current: 0.44A
- Wattage: 53W

## Model

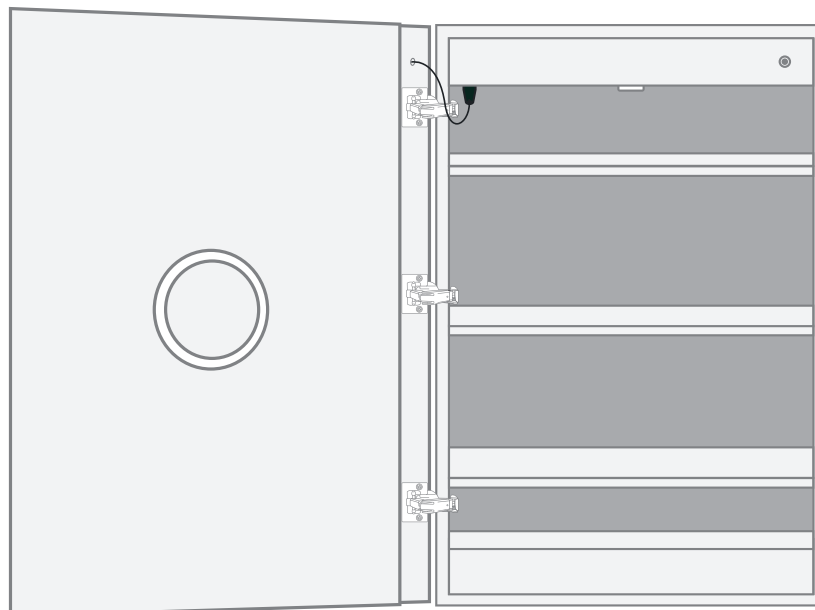
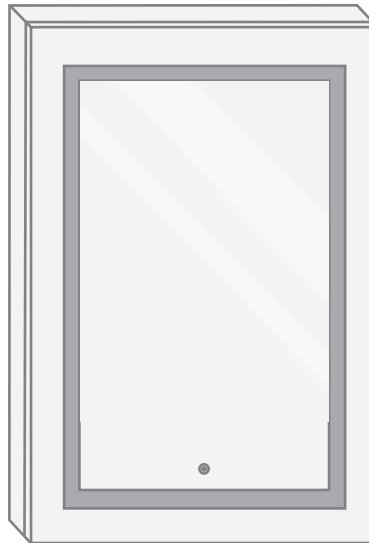
- SVANGE 2436L Left Swinging Door
- Included models in this configuration:  
Cabinet 1 = 2436L

## Outlet

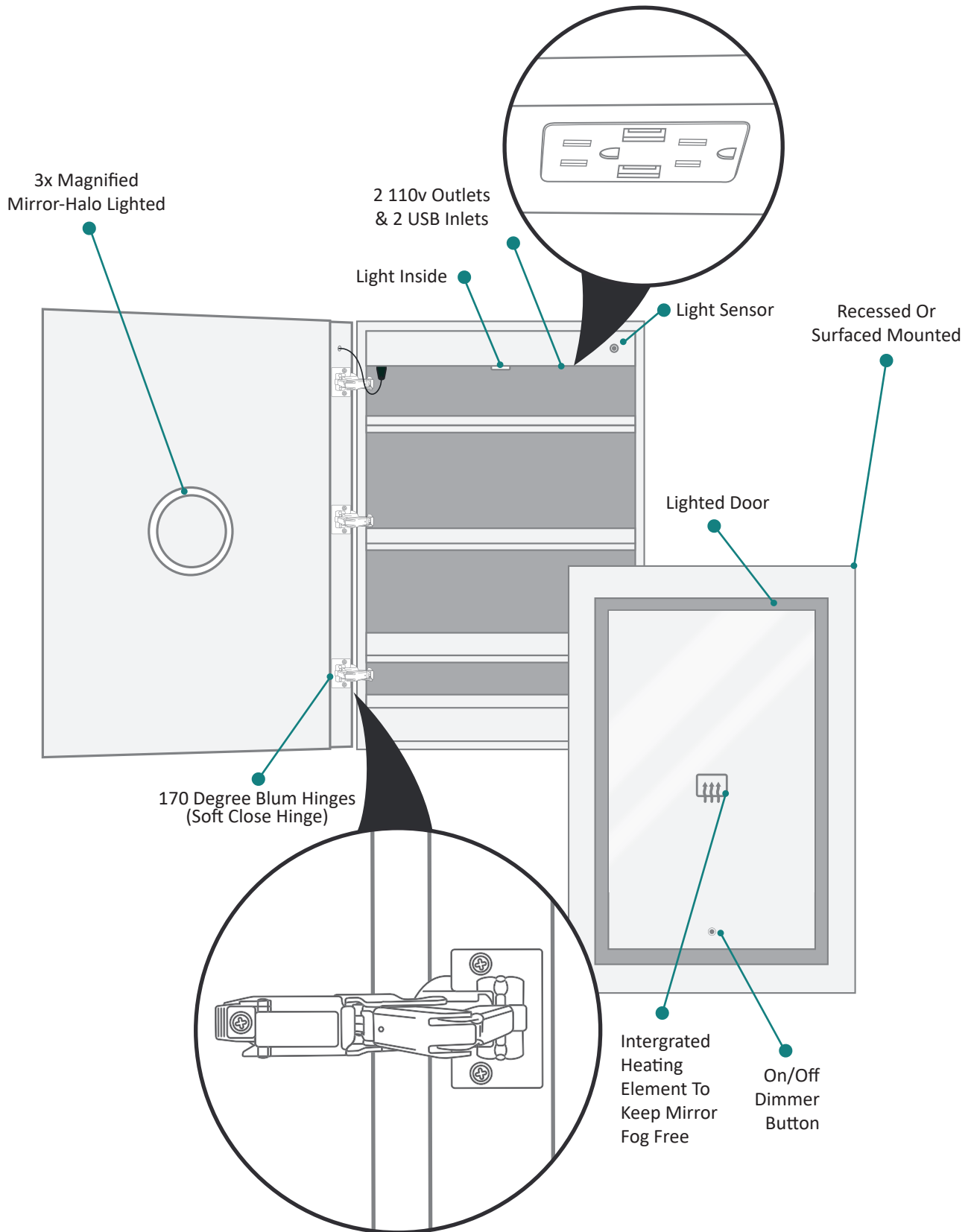
- Performance Requirements: Contains the required Supervisory Circuit with the Auto-Monitoring Function as noted by UL 1310
- Input Voltage: Min 112Vac, Nom 125Vac, Max 137Vac
- Frequency: 60Hz
- Front Receptacle Current: 102-132VAC Nominal 15A
- USB Output Current: 5VDC Nominal 4A

## **CABINET CONFIGURATION**

- Included models in this configuration:  
Cabinet 1 = 2436L



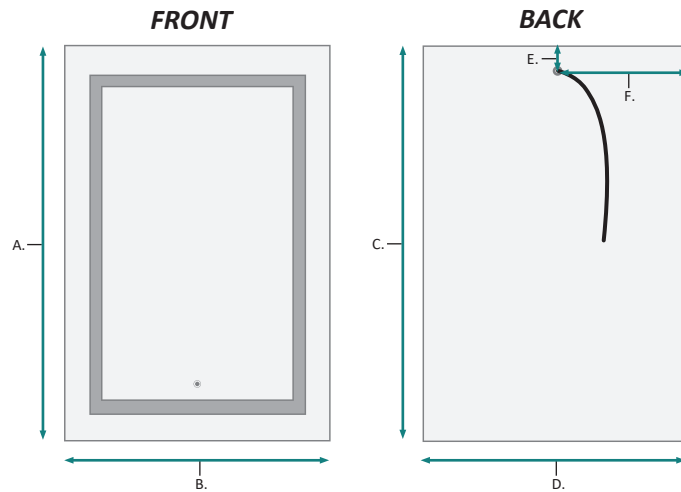
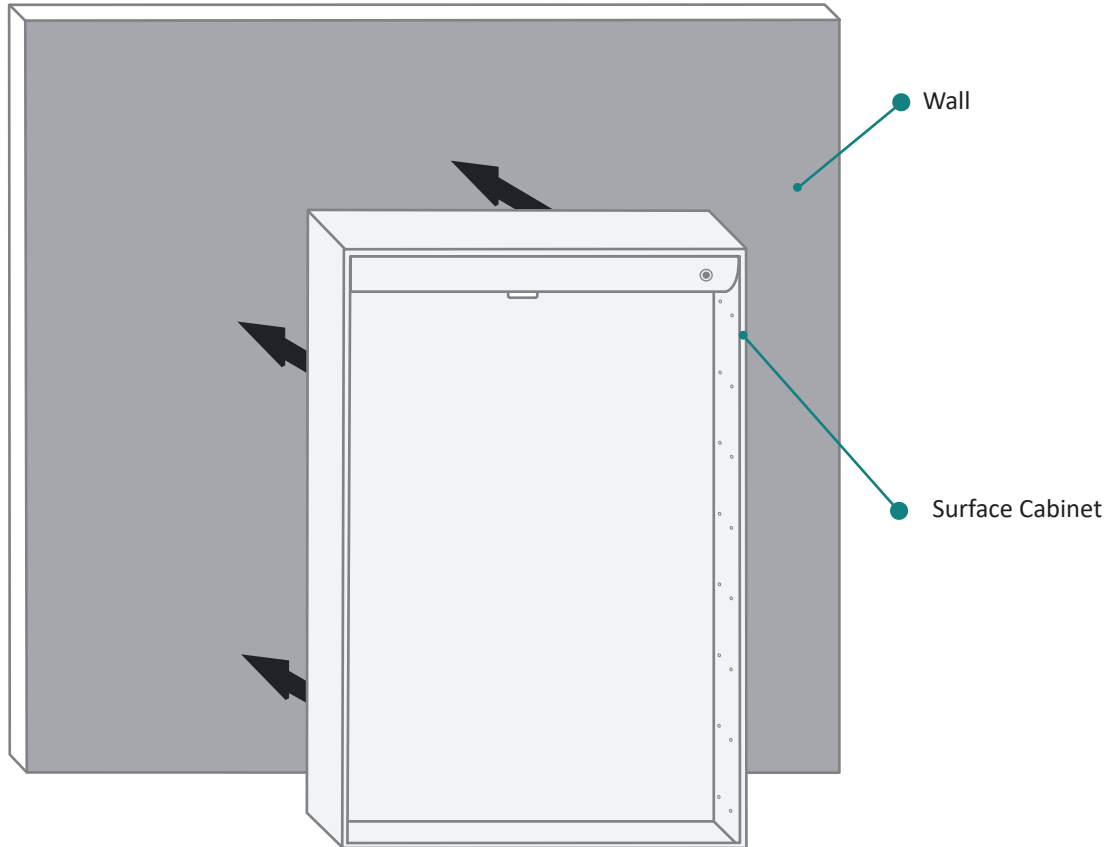
# SVANGE 2436L - Specification Sheet



# SVANGE 2436L - Specification Sheet



## SURFACE MOUNT



### FRONT & BACKS

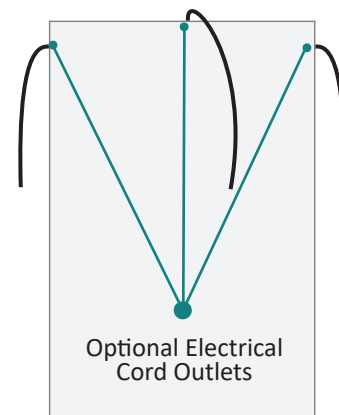
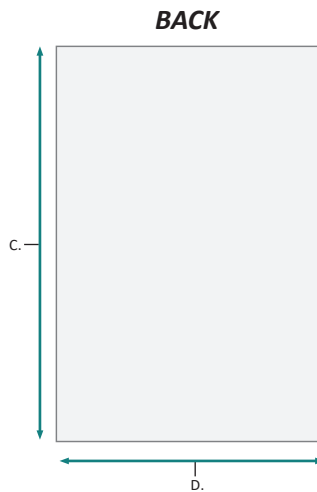
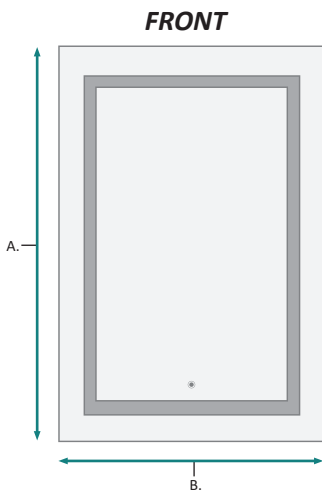
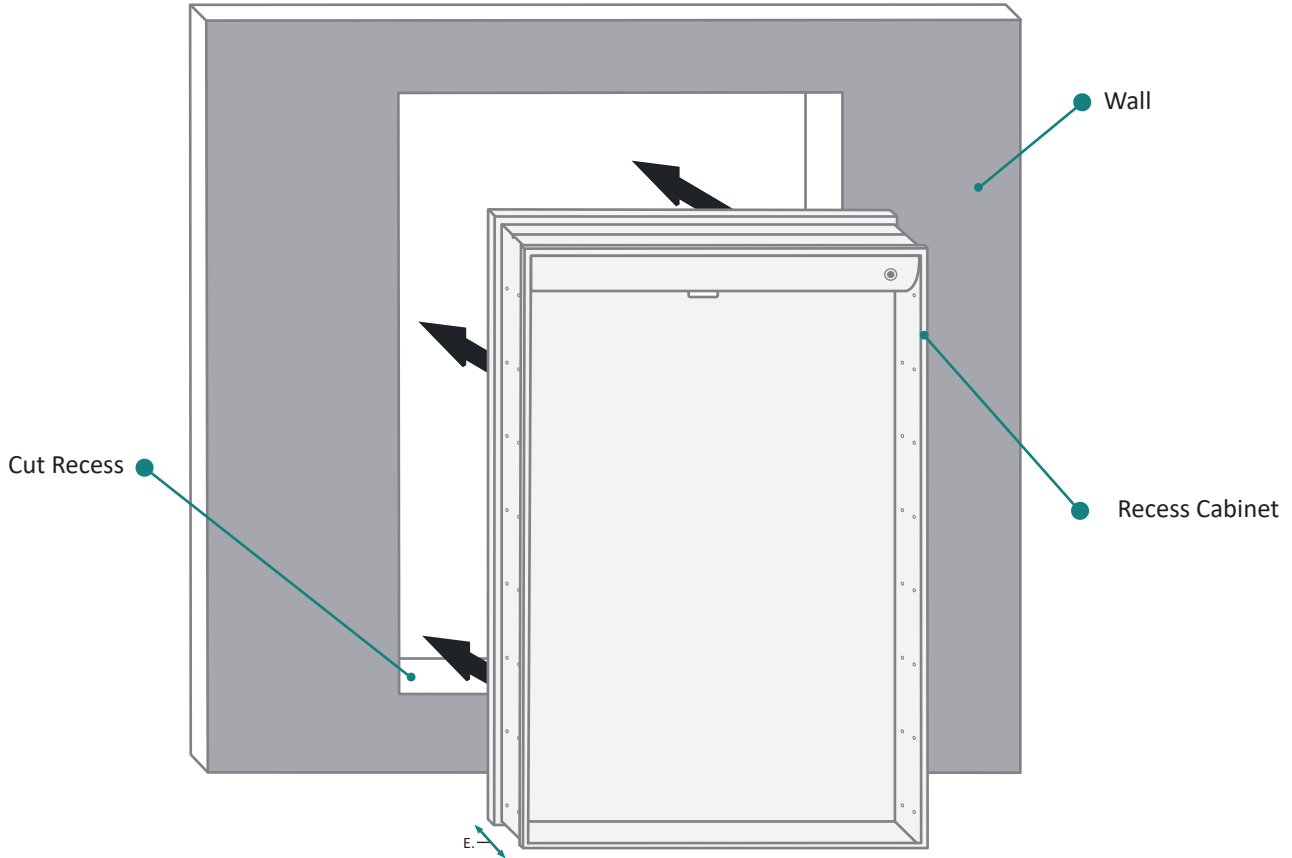
MODEL	A	B	C	D	E	F
SVANGE2436L	36	24	36	24	1-1/8	12

These measurements are for reference, for best results we suggest you measure actual product as small variations in size are possible

# SVANGE 2436L - Specification Sheet



## RECESS MOUNT

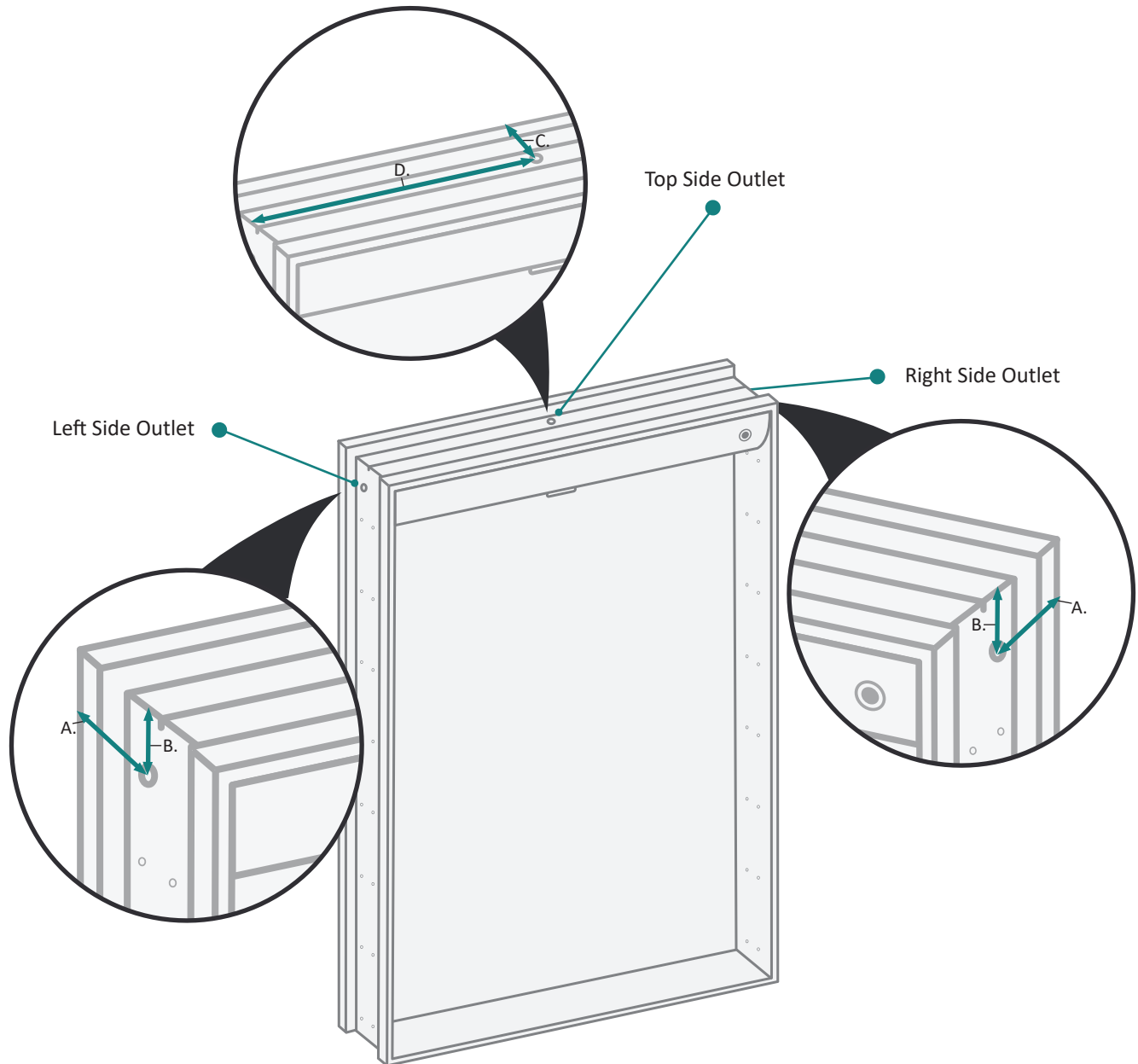


### FRONT & BACK

MODEL	A	B	C	D	E
SVANGE2436L	36	24	35-1/8	23-1/8	3-1/2

These measurements are for reference, for best results we suggest you measure actual product as small variations in size are possible

## RECESS INSTALLATION OPTIONAL ELECTRICAL CORD LOCATIONS

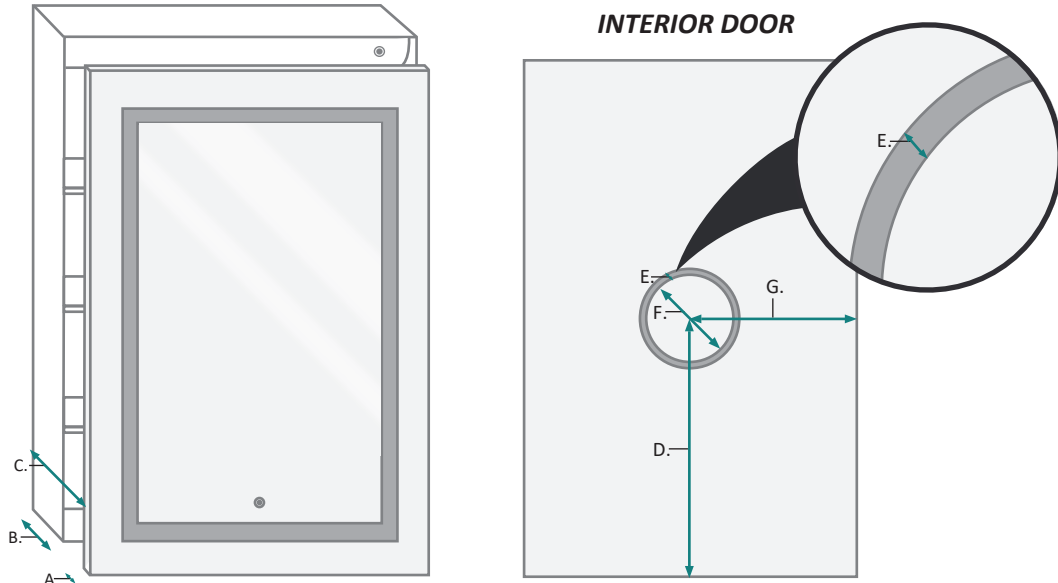


### ELECTRICAL CORD LOCATIONS

MODEL	A	B	C	D
SVANGE2436L	1-1/8	1-1/8	1-1-8	12

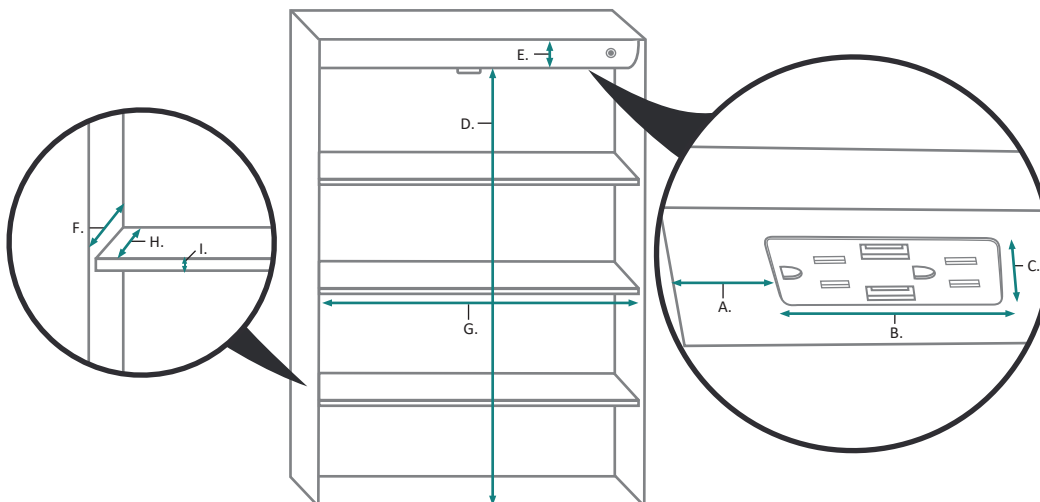
These measurements are for reference, for best results we suggest you measure actual product as small variations in size are possible

# SVANGE 2436L - Specification Sheet



## DOOR & CABINET

MODEL	A	B	C	D	E	F	G
SVANGE2436L	7/8	3-1/2	5	18	3/8	5-1/4	13



## INTERIOR CABINET

MODEL	A	B	C	D	E	F	G	H	I
SVANGE2436L	3-3/4	5-5/8	1-1/4	32	2-1/4	3-5/8	22-1/4	2-3/8	3/8

These measurements are for reference, for best results we suggest you measure actual product as small variations in size are possible