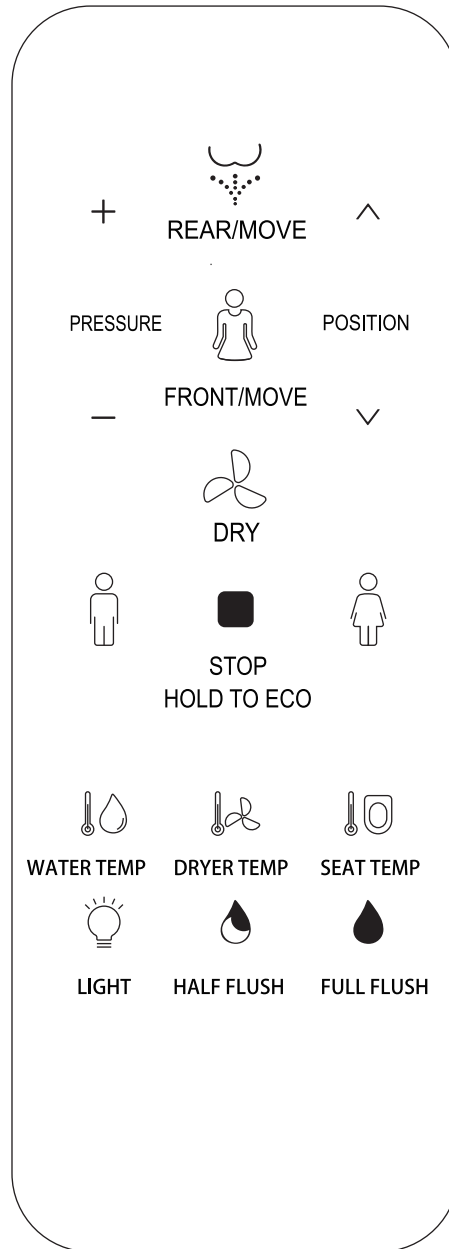


# Avancer Remote INSTALLATION INSTRUCTIONS

Swiss Madison®  
well made forever



@SwissMadison  
#WellMadeForever

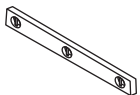




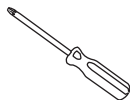
## PRIOR TO INSTALLATION:

- Inspect to ensure no damages have occurred while in shipping.
- Observe all plumbing and building codes in accordance with your state and local requirements.
- All dimensions are nominal! Be sure to measure prior to installation.
- The step-by-step guidelines in the installation instructions are a general reference. Should there be any discrepancies, Swiss Madison cannot be held liable. It is recommended to install all Swiss Madison products by hiring a licensed professional.
- Read installation and maintenance instructions thoroughly before installing. Be sure to use proper tools and always wear proper personal safety accessories for your protection.

## SUGGESTED TOOLS & MATERIALS:



Level



Screwdriver



Drill

## INCLUDED PARTS:



Smart Seat  
Bidet Remote



Hardware



Wall  
Mount

**Installation Preparation**

- 1. Remote control installation 03

**Usage Instruction**

- 1. Remote control illustration 05
- 2. Rear/Front cleaning operation 06
- 3. Dry operation 05
- 4. Water volume adjustment 07
- 5. Full flush/ Half flush 07
- 6. Spray nozzle position adjustment 07
- 7. Energy saver 08
- 8. Auto function 08
- 9. Temperature adjustment 09
- 10. Night light 09
- 11. User code 10

## 1. Install Sensor Mount

- The installation method depends on the wall it is being installed on. Determine appropriate installation method and follow the instructions below.

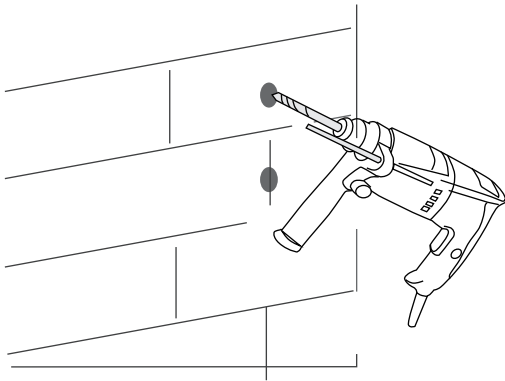
**Method A: Screw fixing** - suitable for installation on rough walls.

**Method B: Adhesive fixing** - suitable for installation on tiles and other smooth walls.

### Method A: Screw Fixing

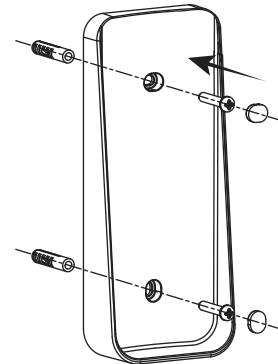
#### 1a. Mark & Pre-Drill Holes

- Place the remote wall mount on the wall and mark the location of the two mounting holes. Drill 6 mm diameter holes on the marks with a depth of 35 mm. Make sure the placement is reachable from the toilet seat.



#### 1b. Install Wall Mount

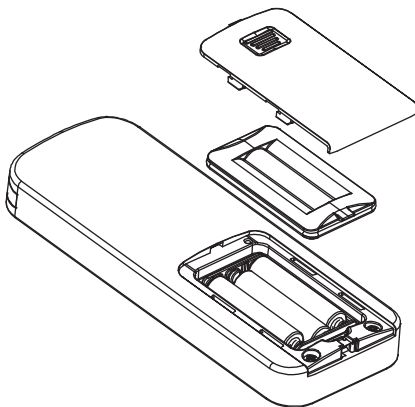
- Put the anchor into the wall holes and ensure the wall mount is tight against the wall.
- Align the wall mount hole with the anchor and tighten the screw, and then cover with the silicone gasket.



#### 1c. Install Batteries

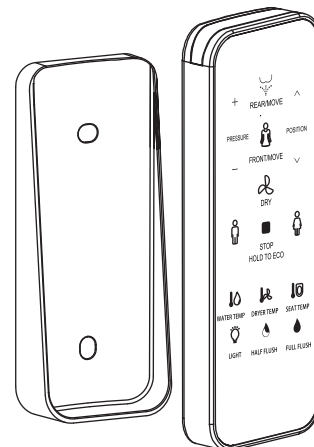
- Put batteries into the remote control and put on battery cover.

NOTE: Batteries not included



#### 1d. Hang Remote

- Put remote into the wall mount.

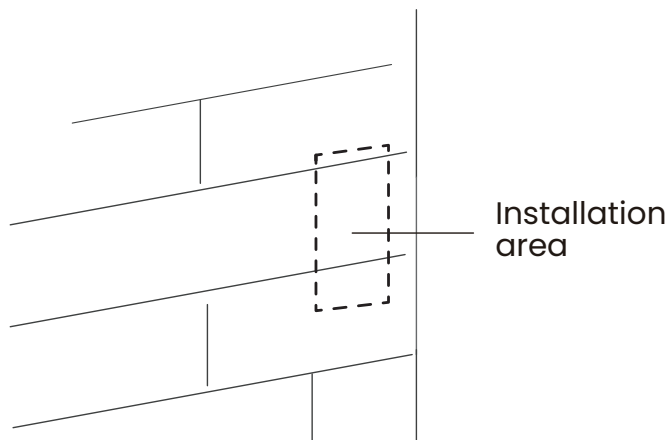


NOTE: Please do not install and use the product in moist places such as a steam room, or in a place where it can easily get wet.

## Method B: Adhesive Fixing

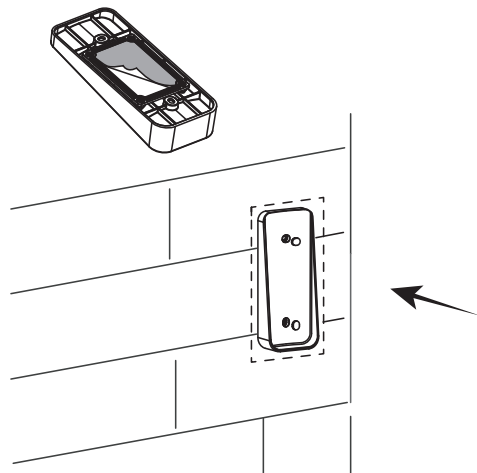
### 1a. Prep Wall

- Clean and dry the desired installation area on the wall. Make sure the placement is reachable from the toilet seat.



### 1b. Install Wall Mount

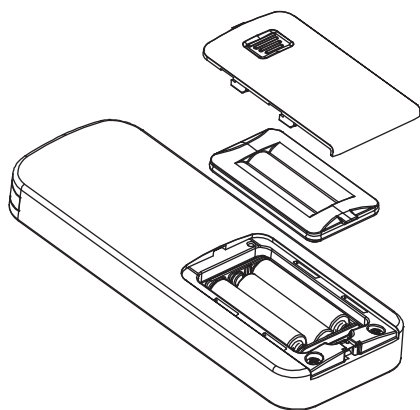
- Remove the adhesive tape on the back of the wall mount and place it firmly against the wall, then cover with the holes with the silicone gaskets.



### 1c. Install Batteries

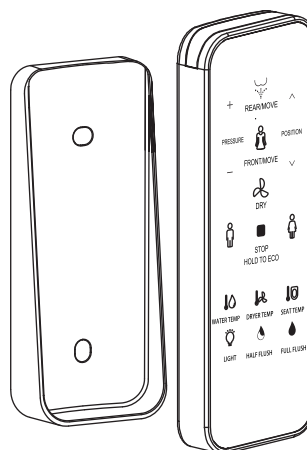
- Put batteries into the remote control and put on battery cover.

**NOTE:** Batteries not included

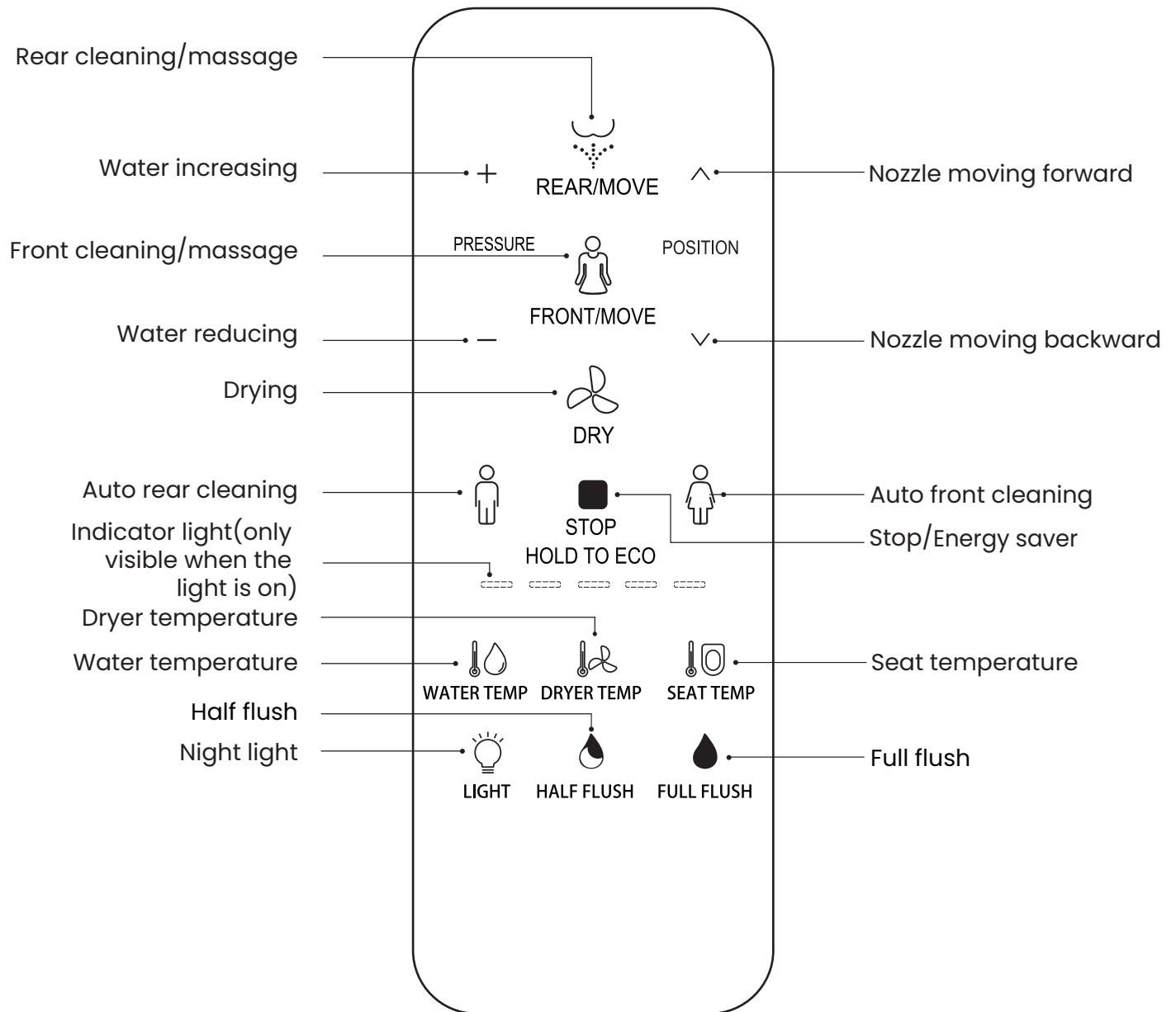


### 1d. Hang Remote

- Put remote into the wall mount.



**NOTE:** Please do not install and use the product in moist places such as a steam room, or in a place where it can easily get wet.



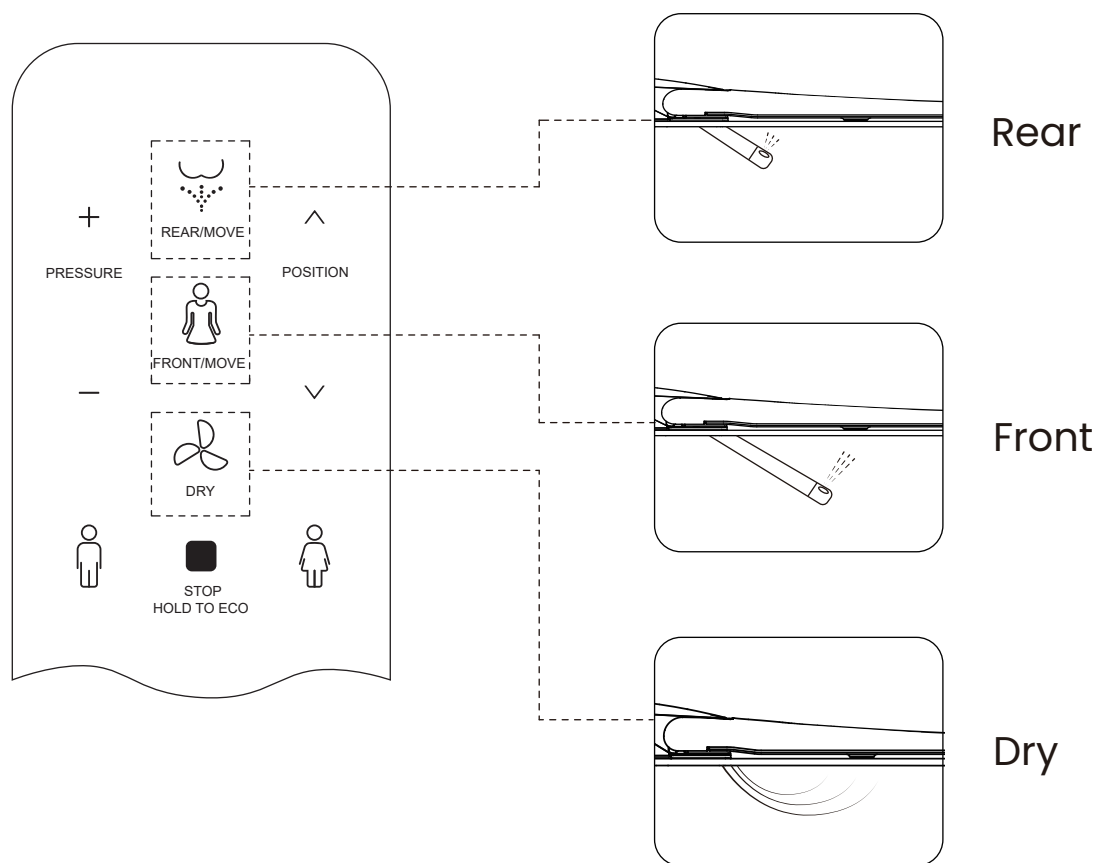
## Rear/Front Cleaning

Press "REAR/MOVE" button, the indicator light will be on to show the current water temperature level and it will begin rear cleaning. Press the "REAR/MOVE" button again to shift to massage cleaning (the nozzle will move forward and backward). The cleaning will last for one cycle and will stop automatically. To stop before the cycle is complete press the "STOP" button.

Press "FRONT/MOVE" button, the indicator light will be on to show the current water temperature level and it will begin front cleaning. Press the "FRONT/MOVE" button again to shift to massage cleaning (the nozzle will move forward and backward). The cleaning will last for one cycle and will stop automatically. To stop before the cycle is complete press the "STOP" button.

## Drying Operation

Press the "DRY" button, the indicator light will be on to show the current wind temperature level and it will begin drying. The drying will stop after a complete cycle or if the user leaves the seat.

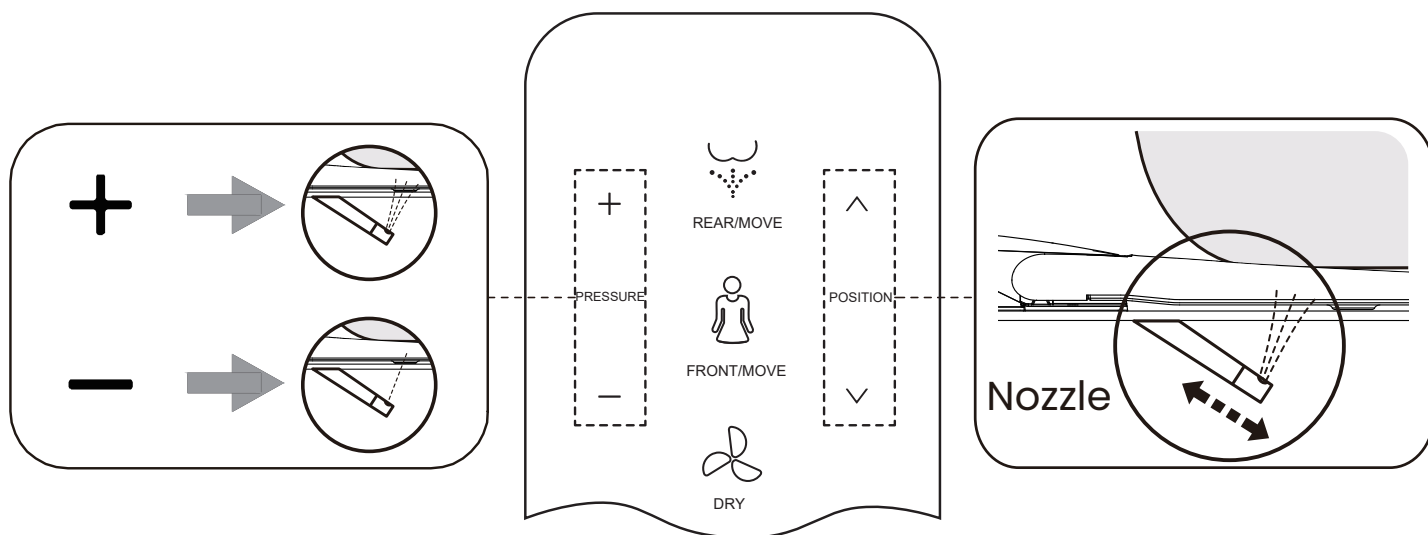


### Water Volume Adjustment

Press “+” or “-” button during rear or front cleaning, the indicator light will be on showing the current water volume adjustment level. The water adjustment has 3 levels.

### Spray Nozzle Position Adjustment

Press “V” or “^” button during rear or front cleaning, the indicator light will be on showing the current nozzle position. The nozzle position adjustment has 5 levels.

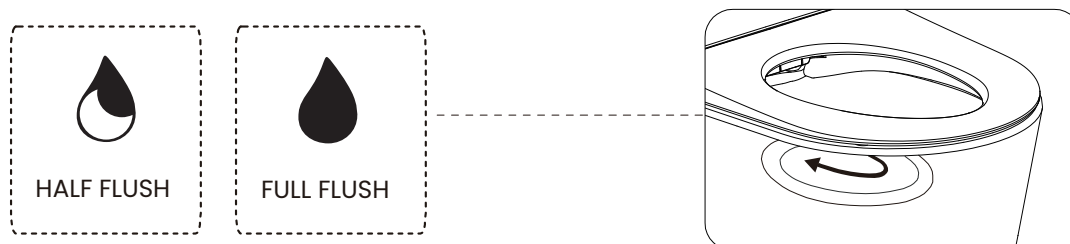


### Half Flush / Full Flush

Press the “FULL FLUSH” button to activate a full flush.

Press the “HALF FLUSH” button to activate a half flush.

Hold the “FULL FLUSH” button to turn on/off the auto flush function. Toilet will automatically flush as you walk away from the bowl. When the user sits less than 60 seconds it will activate a half flush. When the user sits for more than 60 seconds, it will activate a full flush.





## Energy Saver

Hold the "STOP" button for more than 3 seconds to enter energy saving mode. The indicator light will be off and the energy saving light will be on. Hold the "STOP" button for another 3 seconds to exit energy saving mode. The indicator light will be on and the energy saving light will be off.

During energy saving mode, the seat temperature will be at level 1.

**NOTE:** If user sits on the seat, the energy saver mode is paused and enters into the function mode, the seat starts to heat immediately. The energy saver mode restores after user leaves.

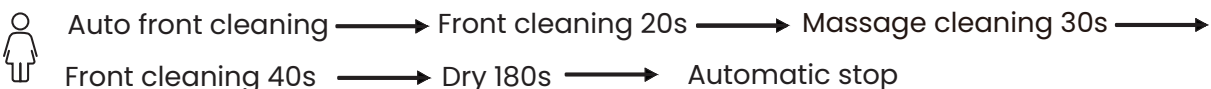
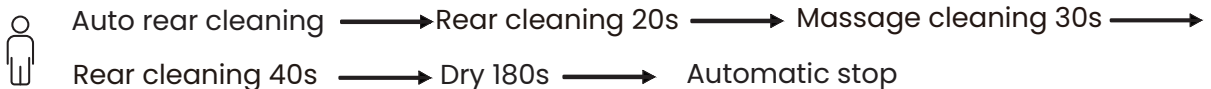
## Auto Function

The automatic function default settings are on the middle level for water volume, nozzle position, water temperature, air temperature and seat temperature.

Quickly pressing the "♂" or the "♀" button will activate automatic male rear wash and female bidet wash.

You can custom set the water volume, nozzle position, water temperature and air temperature. After the setting is complete, hold the automatic user setting button for 3 seconds to save the settings. Your settings will be saved for the next time you press the programmed button. You are able to set the automatic function to enable cleaning and drying.

The automatic function mode will be off if you press another button during operation.



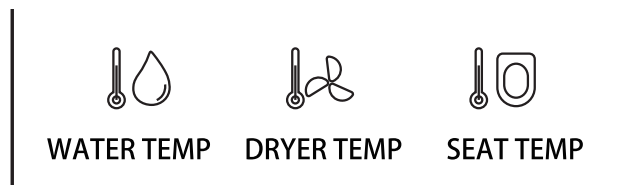
### Temperature Adjustment

**Water Temperature:** Press the “WATER TEMP” button to adjust the water temperature level from 0 to 5 during a cycle. The indicator will show the water temperature level if it’s on. When the indicator is off, the water temperature level is 0.

**NOTE:** The water temperature is set at 50°F at level 0. If the room temperature is higher than 50°F , the water will not be heated.

**Dryer Temperature:** Press the “DRYER TEMP” button to adjust the dryer temperature level from 0 to 5 during a cycle. The indicator will show the dryer temperature level if it’s on. When the indicator is off, the dryer temperature level is 0.

**Seat Temperature:** Press the “SEAT TEMP” button to adjust the seat temperature level from 0 to 5 during a cycle. The indicator will show the seat temperature level if it’s on. When the indicator is off, the seat temperature level is 0.



### Night Light

Press the “LIGHT” button to turn on/off the white night light. Hold the “LIGHT” button to enter smart night light mode - in this mode, the night light will be on or off by detecting lightness of surroundings. Press the “LIGHT” button again to exit smart night light mode.



## User Code

The user code needs to be set to avoid disturbance from remote controls when more than one smart toilets are used in the house. Turn on the toilet for setting while turning off others. Press user code combination buttons (Press "STOP" button first and then press "REAR" button) to enter user code setting mode, the indicator lights will be on and keep flashing.

(IR remote control) Press water volume "+" "-" buttons to select user code. The indicator shows the corresponding user code. Press the user code combination buttons again to save settings and exit. The buzzer will beep notifying it is set successfully. When the main unit is powered off to restart or batteries are removed from remote control, the user code will be cleared and need to be reset. After entering setting mode, if there's no operation for 10 seconds, the remote control will exit setting mode automatically and return to previous states.

## Quite Mode

Hold the "SEAT TEMP" button to turn on/off quite mode.

## Foot Sensor

Firstly press and hold the "STOP" key, and press the "FULL FLUSH" key to turn the foot sense function on or off. In the seated status, foot sense function is invalid.

### NOTE:

The buzzer will "BEEP" when the user presses one button which means the main unit received the signal and will conduct the operation accordingly. If the buzzer doesn't sound, it means the main unit didn't receive the signal, then you should adjust the remote control direction and repress the button.

In case of power cut during wand's spray operation, the wand cannot go back to place, please wait until the power is reset. In case of a power cut for a long period, please push the wand softly back by hand. Do not push hard, to avoid damage to wand and electrical machine.

When a body touches the seat and you hear a "CLICK", the front cleaning, rear cleaning and drying functions are in operation. The nozzle will continue to spray for 1-2 seconds after user stands up during spray operation, so please press "STOP" button before standing up.



## ONE YEAR LIMITED WARRANTY

Swiss Madison® products are made with quality materials and excellent craftsmanship to provide our customers with beautiful, durable, long-lasting products. Should there be any defects in materials or craftsmanship under regular use that are discovered within the first year of installation, Swiss Madison® will provide replacement parts at no charge, or at its discretion, replace any product or part of the product that is deemed defective, under normal installation, use, service or maintenance. This warranty applies only to the original purchaser. Proof of purchase will be required in the instance of a claim.

Swiss Madison® recommends all installations of Swiss Madison® products to be conducted by a licensed, professional plumber or contractor. Swiss Madison® will not be held responsible for any damage or product failure due to improper installation, misuse, or failure to utilize a licensed professional for installation. Swiss Madison® is not responsible for any installation or removal costs.


### **This One Year Limited Warranty Will Be Voided If:**

- The installation recommendations were not followed by the installer
- The product has been moved from its initial place of installation
- The product has in any way been modified from its packaged state
- The product has been subjected to improper maintenance, abuse, misuse, excessive use of chemicals, accidents, or other damages, etc.

Swiss Madison® makes no implication that its products comply with any local building or plumbing codes. It is the consumer's responsibility and obligation to determine local code compliance prior to and during installation. This warranty extends only to the original purchaser and first consumer.

Swiss Madison® is not responsible for any special, incidental or consequential damages associated with the installation, replacement, return or use of the original purchaser's product. This includes, but is not limited to: freight costs, labor, travel time, lost profit, home damages and other contingent liabilities and costs (including, without limitation, costs associated with 'professionals' or 'experts', investigations, audits, analyses, attorneys and any other professional/hired services).

The Swiss Madison® warranty is a comprehensive and explicit limit of liability. All items not disclosed within the warranty are not addressable within the responsibility of Swiss Madison®. Certain states have variances regarding implied warranties; in those situations, we remain fully compliant.

 **WARNING:** Contents of your order may contain sharp and possibly other harmful pieces and may cause hazard to children and adults. Swiss Madison® is not responsible in any way for personal damages.