

## MODELS

# SMC1585BB / SMC1585BS SMC1585BW

B = Black, S = Stainless Steel, W = White



SMC1585BS

<b>PRECAUTIONS TO AVOID POSSIBLE EXPOSURE TO EXCESSIVE MICROWAVE ENERGY .....</b>	<b>2</b>	<b>MANUAL OPERATION .....</b>	<b>15</b>
<b>CUSTOMER ASSISTANCE .....</b>	<b>3</b>	<b>MICROWAVE FEATURES .....</b>	<b>16</b>
<b>US CONSUMER LIMITED WARRANTY.....</b>	<b>4</b>	<b>MICROWAVE OVEN COOKING.....</b>	<b>17-19</b>
<b>CANADA CONSUMER LIMITED WARRANTY .....</b>	<b>5</b>	<b>CONVECTION AUTOMATIC OPERATION ....</b>	<b>20-25</b>
<b>IMPORTANT SAFETY INSTRUCTIONS.....</b>	<b>6-7</b>	<b>MANUAL CONVECTION AND AUTOMATIC MIX COOKING .....</b>	<b>26-28</b>
<b>INSTALLATION INSTRUCTIONS .....</b>	<b>7</b>	<b>OTHER FEATURES .....</b>	<b>29-30</b>
<b>GROUNDING INSTRUCTIONS .....</b>	<b>8</b>	<b>CLEANING AND CARE .....</b>	<b>31</b>
<b>INFORMATION YOU NEED TO KNOW.....</b>	<b>9-12</b>	<b>SERVICE CALL CHECK.....</b>	<b>32</b>
<b>PART NAMES.....</b>	<b>13-14</b>	<b>SPECIFICATIONS.....</b>	<b>33</b>
<b>BEFORE OPERATING.....</b>	<b>15</b>		

## **PRECAUTIONS TO AVOID POSSIBLE EXPOSURE TO EXCESSIVE MICROWAVE ENERGY**

- (a)** Do not attempt to operate this oven with the door open since open-door operation can result in harmful exposure to microwave energy. It is important not to defeat or tamper with the safety interlocks.
- (b)** Do not place any object between the oven front face and the door or allow soil or cleaner residue to accumulate on sealing surfaces.
- (c)** Do not operate the oven if it is damaged. It is particularly important that the oven door close properly and that there is no damage to the: (1) door (bent), (2) hinges and latches (broken or loosened), (3) door seals and sealing surfaces.
- (d)** The oven should not be adjusted or repaired by anyone except properly qualified service personnel.

**IMPORTANT! Register within 10 days of purchase.**

**Register ONLINE at [www.sharpusa.com/productregistration](http://www.sharpusa.com/productregistration)**

To aid in reporting this appliance, please record below the model number and serial number located on the unit. We also suggest you record all the information listed and retain for future reference.

**MODEL NUMBER** \_\_\_\_\_ **SERIAL NUMBER** \_\_\_\_\_

**DATE OF PURCHASE** \_\_\_\_\_ / \_\_\_\_\_ / \_\_\_\_\_

**DEALER** \_\_\_\_\_ **TELEPHONE** \_\_\_\_\_

**SERVICER** \_\_\_\_\_ **TELEPHONE** \_\_\_\_\_

---

## FOR US

---

**TO PHONE:**      **CALL 1-800-BE-SHARP (237-4277) for:**  
                         SERVICE (for your nearest Sharp Authorized Servicer)  
                         PARTS (for your authorized parts distributor)  
                         ADDITIONAL CUSTOMER INFORMATION

**TO WRITE:**      Sharp Electronics Corporation  
                         Customer Assistance Center  
                         Sharp Plaza Blvd  
                         Memphis, Tennessee 38193

**TO ACCESS INTERNET: [www.sharpusa.com](http://www.sharpusa.com)**

Please provide the following information when you write or call: model number, serial number, date of purchase, your complete mailing address (including zip code), your daytime telephone number (including area code) and description of the problem.

---

## FOR CANADA

---

To obtain the name and address of the nearest Sharp Authorized Service Centre, please contact:

Sharp Electronics Of Canada Ltd.  
335 Britannia Road East  
Mississauga, Ontario  
L4Z 1W9  
(905) 568-7140

**TO ACCESS INTERNET: [www.sharp.ca](http://www.sharp.ca)**

Please provide the following information when you write or call: model number, serial number, date of purchase, your complete mailing address (including zip or postal code), your daytime telephone number (including area code) and description of the problem.

## US CONSUMER LIMITED WARRANTY

SHARP ELECTRONICS CORPORATION (“SHARP”) warrants to the first consumer Purchaser that this SHARP brand product (the “Product”), when shipped in its original container, and sold or distributed in the United States by SHARP or an authorized SHARP dealer or reseller, will be free from defective workmanship and materials. SHARP agrees that it will, at its option, either repair the defect or replace the defective Product or part thereof with a new or remanufactured equivalent at no charge to the Purchaser for parts or labor for the period(s) set forth below.

This warranty does not apply to any appearance items of the Product nor to the additional excluded item(s) set forth below nor to any Product the exterior of which has been damaged or defaced, which has been subjected to misuse, abnormal service or handling, or which has been altered or modified in design or construction. This warranty does not apply if the microwave oven is not operated and maintained according to the instructions attached.

In order to enforce the rights under this limited warranty, the Purchaser should follow the steps set forth below and provide proof of purchase to the servicer.

The limited warranty described herein is in addition to whatever implied warranties may be granted to Purchasers by law. ALL IMPLIED WARRANTIES INCLUDING THE WARRANTIES OF MERCHANTABILITY AND FITNESS FOR USE ARE LIMITED TO THE PERIOD(S) FROM THE DATE OF PURCHASE SET FORTH BELOW. Some states do not allow limitations on how long an implied warranty lasts, so the above limitation may not apply to you. This limited warranty gives you specific legal rights, and you may also have other rights which vary from state to state.

Neither the sales personnel of the seller nor any other person is authorized to make any warranties other than those described herein, or to extend the duration of any warranties beyond the time period described above on behalf of SHARP.

The warranties described herein shall be the sole and exclusive warranties granted by SHARP and product repair or replacement shall be the sole and exclusive remedy available to the Purchaser. Correction of defects, in the manner and for the period of time described herein, shall constitute complete fulfillment of all liabilities and responsibilities of SHARP to the Purchaser with respect to the Product, and shall constitute full satisfaction of all claims, whether based on contract, negligence, strict liability or otherwise. In no event shall SHARP be liable, or in any way responsible, for any damages or defects in the Product which were caused by repairs or attempted repairs performed by anyone other than an authorized servicer. Nor shall SHARP be liable or in any way responsible for any incident or consequential economic or property damage. Some states do not allow the exclusion of incidental or consequential damages, so the above exclusion may not apply to you.

“THIS LIMITED WARRANTY IS VALID ONLY IN THE FIFTY (50) UNITED STATES, THE DISTRICT OF COLUMBIA, AND PUERTO RICO.”

<b>Your product model number &amp; description</b>	SMC1585BB, SMC1585BS, SMC1585BW or Home Use Microwave. (Be sure to have this information available when you need service for your Product.)
<b>Warranty period for this product:</b>	One (1) year parts and labor including in-home service from the date of purchase. The warranty period continues for an additional four (4) years, for a total of five (5) years, with respect to the magnetron tube in the Product for parts only; labor and service are not included in the warranty, and will not provided free of charge for this additional period.
<b>Additional item(s) excluded from warranty coverage (if any):</b>	Non-functional accessories and light bulbs.
<b>Where to obtain service:</b>	From a SHARP Authorized Servicer located in the United States. To find the location of the nearest SHARP Authorized Servicer, call SHARP toll free at 1-800-BE-SHARP (1-800-237-4277).
<b>What to do to obtain service:</b>	For Products that are deemed to qualify for on-site service, a servicer will come to your location. If necessary the servicer may remove the unit for repair at the service facility and return it once completed. On-site service is not available in all areas and SHARP may, at our option, elect to provide transportation of the Product to and from an Authorized Service Center in those areas.

TO OBTAIN SUPPLY, ACCESSORY OR PRODUCT INFORMATION, CALL 1-800-BE-SHARP or visit [www.sharppusa.com](http://www.sharppusa.com). SAVE THE PROOF OF PURCHASE AS IT IS NEEDED SHOULD YOUR OVEN EVER REQUIRE WARRANTY SERVICE.

# SHARP®

## LIMITED WARRANTY

### Consumer Electronics Products

## Congratulations on your purchase!

Sharp Electronics of Canada Ltd. ("Sharp") warrants to the first purchaser for this Sharp brand product ("Product"), when shipped in its original container and sold or distributed in Canada by Sharp or by an authorized Sharp dealer, and Product was not sold "as is" or "sales final" that the Product will during the applicable warranty period, be free from defects in material and workmanship, and will within the applicable warranty period, either repair the defective Product or provide the first purchaser a replacement of the defective Product.

**Conditions:** This limited warranty shall not apply to:

- (a) Any defects caused or repairs required as a result of abusive operation, negligence, accident, improper installation or inappropriate use as outlined in the owner's manual or other applicable Product documentation.
- (b) Any defects caused or repairs required as a result of any Product that has been tampered with, modified, adjusted or repaired by any person other than Sharp, a Sharp authorized service centre or a Sharp authorized servicing dealer.
- (c) Any defects caused or repairs required as a result of the use of the Product with items not specified or approved by Sharp, including but not limited to chemical cleaning agents.
- (d) Any replacement of accessories required through normal use of the Product, including but not limited to, remote controls, AC adapters, batteries, temperature probe, trays, filters, belts, ribbons, cables and paper.
- (e) Any cosmetic damage to the Product surface or exterior that has been defaced or caused by normal wear and tear.
- (f) Any defects caused or repairs required as a result of damage caused by any external or environmental conditions, including but not limited to, transmission line/power line voltage or liquid spillage or acts of God.
- (g) If the serial number or model number affixed to Product has been removed, defaced, changed, altered or tampered with.
- (h) This limited warranty will not apply if the Product has been used or is being used in a commercial setting or application; this warranty is meant solely for the non-commercial, household use of the Product by consumers in their home or residence.
- (i) Any installation, delivery, setup and/or programming charges
- (j) The removal and reinstallation of Over-The-Range Microwave, Microwave Drawer or Steam Oven if it is installed in an inaccessible location or requiring removal of cupboards, handles or other cosmetic parts, or is not installed in accordance with installation instructions included with Product.

**How to get service:** Warranty service may be obtained upon delivery of the Product, together with proof of purchase (including date of purchase) and a copy of this limited warranty statement, to an authorized Sharp service centre or an authorized Sharp servicing dealer. In home warranty service will be carried out to locations accessible by on-road service vehicle and within 50 km of an authorized Sharp service centre on any Over-The-Range Microwave Oven, Microwave Drawer Oven or Steam Oven. The servicer may if necessary take the unit for repair at the servicer's facility. No other person (including any Sharp dealer or service centre) is authorized to extend, enlarge or transfer this warranty on behalf of Sharp. The purchaser will be responsible for any and all removal, reinstallation, transportation and insurance costs incurred with exception for Over-The-Range Microwave Oven, Microwave Drawer Oven or Steam Oven whereby Sharp will be responsible for the removal and reinstallation.

The express warranties in this limited warranty are, except for consumer purchasers domiciled in Quebec, in lieu of and, except to the extent prohibited by applicable law, Sharp disclaims all other warranties and conditions, express or implied, whether arising by law, statute, by course of dealing or usage of trade, including, without limitation, implied warranties or conditions of merchantability and/or quality, fitness for a particular use or purpose, and/or non-infringement. **Limitations** (not applicable to consumer purchasers domiciled in Quebec to the extent prohibited under Quebec law): (a) Sharp shall not be liable for any incidental, special, consequential, economic, exemplary or indirect damages of any kind or nature (including lost profits or damages for loss of time or loss of use or loss of data) arising from or in any connection with the use or performance of a Product or a failure of a Product, even if Sharp is aware of or has been advised of the possibility of such damages; (b) the remedies described in this limited warranty constitute complete fulfillment of all obligations and responsibilities of Sharp to the purchaser with respect to the Product and shall constitute full satisfaction of all claims, whether based on contract, negligence, strict liability or otherwise. Some provinces may not allow the exclusion or limitation of certain damages, or limits on the duration or voiding of implied warranties or conditions; in such provinces, the exclusions and limits herein may not apply. This limited warranty is, except for consumer purchasers domiciled in Quebec, governed by the laws of the Province in Canada in which the purchaser has purchased the Product. For consumer purchasers domiciled in Quebec this limited warranty is governed by the laws of Quebec.

---

**WARRANTY PERIODS** (calculated from the date of original purchase): Parts & Labour (exceptions noted)

Microwave Oven	1 year	(magnetron - 4 additional years)
Steam Oven	1 year	
Small Kitchen Appliances	1 year	
Air Purifiers	1 year	

To obtain the name and address of the nearest Authorized Sharp Service Centre or Dealer, or for more information on this Limited Warranty, Sharp Extended Warranty Offers, Sharp Canada Products or Accessory Sales, please contact Sharp:

- By writing to Sharp Electronics Of Canada Ltd. at 335 Britannia Road East Mississauga, Ontario L4Z 1W9
- Calling: at 905-568-7140
- Visiting our Web site: [www.sharp.ca](http://www.sharp.ca)

**THIS LIMITED WARRANTY IS VALID ONLY IN CANADA**

Revision: 03/21/2016

# IMPORTANT SAFETY INSTRUCTIONS

## READ ALL INSTRUCTIONS BEFORE USING

When using the appliance, basic safety precautions should be followed, including the following:

**WARNING** *To reduce the risk of burns, electric shock, fire, injury to persons or exposure to excessive microwave energy:*

- 1 Read all instructions before using the appliance.
- 2 Read and follow the specific “PRECAUTIONS TO AVOID POSSIBLE EXPOSURE TO EXCESSIVE MICROWAVE ENERGY” on page 2.
- 3 This appliance must be properly grounded. Connect only to properly grounded outlet. See “GROUNDING INSTRUCTIONS” on page 8.
- 4 Install or locate this appliance only in accordance with the provided installation instructions.
- 5 Some products such as whole eggs in shell and sealed containers - for example, closed glass jars—are able to explode and should not be heated in the appliance.
- 6 Use this appliance only for its intended use as described in this manual. Do not use corrosive chemicals or vapors in this appliance. This appliance is specifically designed to heat, cook or dry food. It is not designed for industrial or laboratory use.
- 7 As with any appliance, close supervision is necessary when used by children.
- 8 Do not operate this appliance if it has a damaged cord or plug, if it is not working properly or if it has been damaged or dropped.
- 9 This appliance should be serviced only by qualified service personnel. Contact nearest Sharp Authorized Servicer for examination, repair or adjustment.
- 10 Do not cover or block any openings on the appliance.
- 11 Do not store or use this appliance outdoors. Do not use this product near water—for example, near a kitchen sink, in a wet basement, near a swimming pool or similar locations.
- 12 Do not immerse cord or plug in water.
- 13 Keep cord away from heated surfaces.
- 14 Do not let cord hang over edge of table or counter.
- 15 See door surface cleaning instructions on page 31.
- 16 To reduce the risk of fire in the appliance cavity:
  - a Do not overcook food. Carefully attend appliance when paper, plastic or other combustible materials are placed inside the appliance to facilitate cooking.
  - b Remove wire twist-ties from paper or plastic bags before placing bag in appliance.
  - c If materials inside the appliance ignite, keep appliance door closed, turn microwave off and shut off power at the fuse or circuit breaker panel.
  - d Do not use the appliance for storage purposes. Do not leave paper products, cooking utensils, or food in the appliance when not in use.
- 17 Liquids, such as water, coffee or tea are able to be overheated beyond the boiling point without appearing to be boiling due to surface tension of the liquid. Visible bubbling or boiling when the container is removed from the appliance is not always present. **THIS COULD RESULT IN VERY HOT LIQUIDS SUDDENLY BOILING OVER WHEN A SPOON OR OTHER UTENSIL IS INSERTED INTO THE LIQUID.**

To reduce the risk of injury to persons:

  - a Do not overheat the liquid.
  - b Stir the liquid both before and halfway through heating it.
  - c Do not use straight-sided containers with narrow necks. Use a wide-mouthed container.
  - d After heating, allow the container to stand in the appliance at least for 20 seconds before removing the container.
  - e Use extreme care when inserting a spoon or other utensil into the container.
- 18 If the oven light fails, consult a SHARP AUTHORIZED SERVICER.
- 19 Do not operate any heating or cooking appliance beneath this appliance, except a properly installed electric wall oven or warming drawer.

## SAVE THESE INSTRUCTIONS

# IMPORTANT SAFETY INSTRUCTIONS

For USA, please go to [www.sharppusa.com/trimkits](http://www.sharppusa.com/trimkits) to access the list of approved trim kits with these ovens. For Canada, please visit relevant product's page on [www.sharp.ca](http://www.sharp.ca) for information on installation options and the list of approved trim kits.

- 20 Do not mount unit over or near any portion of a heating or cooking appliance, except a properly

installed electric wall oven or warming drawer. Go to [www.sharppusa.com/trimkits](http://www.sharppusa.com/trimkits) to access the list of approved trim kits with these ovens.

- 21 Do not mount over a sink.
- 22 Do not store anything directly on top of the appliance surface when the appliance is in operation.

## SAVE THESE INSTRUCTIONS

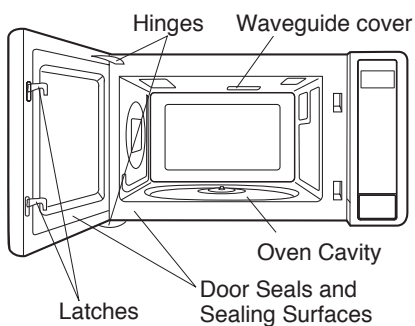
### INSTALLATION INSTRUCTIONS

#### UNPACKING AND EXAMINING YOUR MICROWAVE OVEN

- 1 Remove all packing materials from inside the oven cavity. Read enclosures and SAVE the Operation Manual. DO NOT REMOVE AND THROW OUT THE WAVEGUIDE COVER.

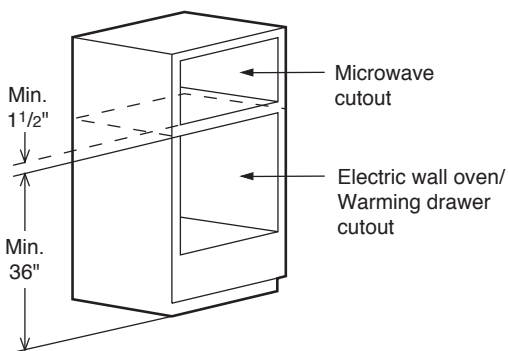
- 2 Remove the feature sticker, if there is one.

Check the oven for any damage, such as misaligned or bent door, damaged door seals and sealing surfaces, broken or loose door hinges and latches and dents inside the cavity or on the door. If there is any damage, do not operate the oven and contact your dealer or SHARP AUTHORIZED SERVICER.



#### CHOOSING A LOCATION FOR YOUR OVEN

You will use your oven frequently so plan its location for ease of use. The oven must be placed on a countertop which is a minimum of 36 inches from the floor. Allow at least 2 inches on the sides, top and at the rear of the oven for air circulation. Be sure to position oven so that the rear cannot be touched inadvertently.



SKETCH 1

Your convection microwave oven can be built into a cabinet or wall by itself or above any electric wall oven or warming drawer. Go to [www.sharppusa.com/trimkits](http://www.sharppusa.com/trimkits) (US customers only) to access the list of approved trim kits with these ovens.

Please visit relevant product's page on [www.sharp.ca](http://www.sharp.ca) (Canada) for information on installation options and the list of approved trim kits.

See Sketch 1 for proper location when building in above an electric wall oven or a warming drawer. Carefully follow both the electric wall oven/warming drawer installation instructions and Sharp's Built-in Kit instructions. Be sure that the clearance of the floor between the electric wall oven/warming drawer and the microwave oven is minimum of 1 1/2 inches. The kit includes ducts and finish trim strips and easy-to-follow instructions for installation as well as the location of the power supply.

# GROUNDING INSTRUCTIONS

This appliance must be grounded. This oven is equipped with a cord having a grounding wire with a grounding plug. It must be plugged into a wall receptacle that is properly installed and grounded in accordance with the National Electrical Code and local codes and ordinances. In the event of an electrical short circuit, grounding reduces the risk of electric shock by providing an escape wire for the electric current.

**⚠ WARNING** – Improper use of the grounding plug can result in a risk of electric shock.

## ELECTRICAL REQUIREMENTS

The electrical requirements are a 120 volt 60 Hz, AC only, 15 amp. or more protected electrical supply. It is recommended that a separate circuit serving only the microwave oven be provided.

The oven is equipped with a 3-prong grounding plug. It must be plugged into a wall receptacle that is properly installed and grounded. Should you only have a 2-prong outlet, have a qualified electrician install a correct wall receptacle.

A 3-prong adapter may be purchased and used temporarily if local codes allow. Follow package directions.

A short power-supply cord is provided to reduce risk of becoming entangled in or tripping over a longer cord.

## EXTENSION CORD

If it is necessary to use an extension cord, use only a 3-wire extension cord that has a 3-blade grounding plug and a 3-slot receptacle that will accept the plug on the microwave oven. The marked rating of the extension cord should be AC 115-120 volt, 15 amp. or more.

Be careful not to drape the cord over the countertop or table where it can be pulled on by children or tripped over accidentally.

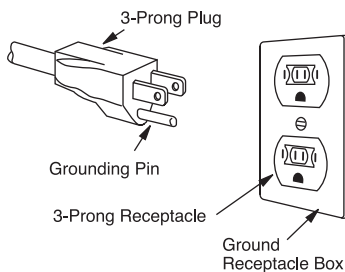
Note:

1. If you have any questions about the grounding or electrical instructions, consult a qualified electrician or service person.
2. Neither Sharp nor the dealer can accept any liability for damage to the oven or personal injury resulting from failure to observe the correct electrical connection procedures.

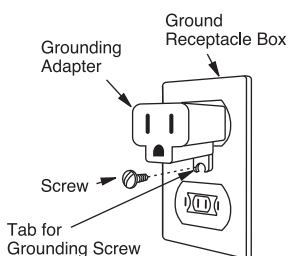
## RADIO OR TV INTERFERENCE

Should there be any interference caused by the microwave oven to your radio or TV, check that the microwave oven is on a different electrical circuit, relocate the radio or TV as far away from the oven as feasible or check position and signal of receiving antenna.

### Permanent and Correct Installation



### Temporary Use





## ABOUT YOUR MICROWAVE OVEN

This operation manual is valuable: read it carefully and always save it for reference.

**NEVER** use the microwave oven without the turntable and support nor turn the turntable over so that a large dish could be placed in the microwave oven. The turntable will turn both clockwise and counterclockwise.

**ALWAYS** have food in the microwave oven when it is on to absorb the microwave energy.

When using the oven at power levels below 100%, you may hear the magnetron cycling on and off. It is normal for the exterior of the oven to be warm to the touch when cooking or reheating.

Condensation is a normal part of microwave cooking. Room humidity and the moisture in food will influence the amount of moisture that condenses in the oven. Generally, covered foods will not cause as much condensation as uncovered ones. Vents on the oven back must not be blocked.

After using convection, automatic mix or broil, you will hear the sound of the cooling fan. The fan may continue to operate as long as 5 minutes, depending on the oven temperature.

Be aware that, unlike microwave-only ovens, convection microwave ovens have a tendency to become hot during convection, automatic mix and broil cooking.

The oven is for food preparation only. It should not be used to dry clothes or newspapers.

Your microwave output is rated 900 watts using the IEC Test Procedure. In using recipes or package directions, check food at the minimum time and add time accordingly.

## ABOUT MICROWAVE COOKING

- Arrange food carefully. Place thickest areas towards outside of dish.
- Watch cooking time. Cook for the shortest amount of time indicated and add more as needed. Food severely overcooked can smoke or ignite.
- Cover foods while cooking. Check recipe for suggestions: paper towels, wax paper, microwave plastic wrap or a lid. Covers prevent spattering and help foods to cook evenly.
- Shield with small flat pieces of aluminum foil any thin areas of meat or poultry to prevent overcooking before dense, thick areas are cooked thoroughly.
- Stir foods from outside to center of dish once or twice during cooking, if possible.
- Turn foods over once during microwaving to speed cooking of such foods as chicken and hamburgers.

Large items like roasts must be turned over at least once.

- Rearrange foods such as meatballs halfway through cooking both from top to bottom and from right to left.
- Add standing time. Remove food from microwave oven and stir, if possible. Cover for standing time which allows the food to finish cooking without overcooking.
- Check for doneness. Look for signs indicating that cooking temperatures have been reached.

Doneness signs include:

- Food steams throughout, not just at edge.
- Center bottom of dish is very hot to the touch.
- Poultry thigh joints move easily.
- Meat and poultry show no pinkness.
- Fish is opaque and flakes easily with a fork.

## ABOUT SAFETY

- Check foods to see that they are cooked to the United States Department of Agriculture's recommended temperatures.

---

145°F - Fish.

---

160°F - Pork, ground beef/veal/lamb, egg dishes

---

165°F - For leftover, ready-to-reheat refrigerated, and deli and carry-out "fresh" food. Whole, pieces and ground turkey/chicken/duck.

---

To test for doneness, insert a meat thermometer in a thick or dense area away from fat or bone. NEVER leave the thermometer in the food during cooking, unless it is approved for microwave use.

- ALWAYS use potholders to prevent burns when handling utensils that are in contact with hot food. Enough heat from the food can transfer through utensils to cause skin burns.
- Avoid steam burns by directing steam away from the face and hands. Slowly lift the farthest edge of a dish's covering and carefully open popcorn and oven cooking bags away from the face.
- Stay near the microwave oven while it's in use and check cooking progress frequently so that there is no chance of overcooking food.
- NEVER use the microwave oven for storing cookbooks or other items.
- Select, store and handle food carefully to preserve its high quality and minimize the spread of foodborne bacteria.
- Keep waveguide cover clean. Food residue can cause arcing and/or fires. See page 31.

# INFORMATION YOU NEED TO KNOW

## ABOUT CHILDREN AND THE MICROWAVE

Children below the age of 7 should use the microwave oven with a supervising person very near to them. Between the ages of 7 and 12, the supervising person should be in the same room. The child must be able to reach the microwave oven comfortably.

At no time should anyone be allowed to lean or swing on the microwave oven.

Children should be taught all safety precautions: use potholders, remove coverings carefully, pay special attention to packages that crisp food because they may be extra hot.

Don't assume that because a child has mastered one cooking skill he/she can cook everything.

Children need to learn that the microwave oven is not a toy. See page 29 for Safety Lock feature.

## ABOUT FOODS

FOOD	DO	DON'T
Eggs, sausages, fruits & vegetables	<ul style="list-style-type: none"> <li>• Puncture egg yolks before cooking to prevent "explosion".</li> <li>• Pierce skins of potatoes, apples, squash, hot dogs and sausages so that steam escapes.</li> </ul>	<ul style="list-style-type: none"> <li>• Cook eggs in shells.</li> <li>• REHEAT whole eggs.</li> <li>• Dry nuts or seeds in shells.</li> </ul>
Popcorn	<ul style="list-style-type: none"> <li>• Use specially bagged popcorn for the microwave.</li> <li>• Listen while popping corn for the popping to slow to 1 or 2 seconds or use special <b>POPCORN</b> pad.</li> </ul>	<ul style="list-style-type: none"> <li>• Pop popcorn in regular brown bags or glass bowls.</li> <li>• Exceed maximum time on popcorn package.</li> </ul>
Baby food	<ul style="list-style-type: none"> <li>• Transfer baby food to small dish and heat carefully, stirring often. Check temperature before serving.</li> <li>• Put nipples on bottles after heating and shake thoroughly. "Wrist" test before feeding.</li> </ul>	<ul style="list-style-type: none"> <li>• Heat disposable bottles.</li> <li>• Heat bottles with nipples on.</li> <li>• Heat baby food in original jars.</li> </ul>
General	<ul style="list-style-type: none"> <li>• Cut baked goods with filling after heating to release steam and avoid burns.</li> <li>• Stir liquids briskly before and after heating to avoid "eruption".</li> <li>• Use deep bowl, when cooking liquids or cereals, to prevent boilovers.</li> </ul>	<ul style="list-style-type: none"> <li>• Heat or cook in closed glass jars or airtight containers.</li> <li>• Heat can in the microwave as harmful bacteria may not be destroyed.</li> <li>• Deep fat fry.</li> <li>• Dry wood, gourds, herbs or wet papers.</li> </ul>

# INFORMATION YOU NEED TO KNOW

## ABOUT UTENSILS AND COVERINGS

It is not necessary to buy all new cookware. Many pieces already in your kitchen can be used successfully in your new convection microwave oven. The chart below will help you decide what utensils and coverings should be used in each mode.

UTENSILS AND COVERINGS	MICROWAVE ONLY	CONVECTION BROIL, SLOW COOK	HIGH MIX/ ROAST LOW MIX/BAKE
Aluminum foil	YES. Small flat pieces of aluminum foil placed smoothly on food can be used to shield areas from cooking or defrosting too quickly. Keep foil at least 1 inch from walls of oven.	YES. For shielding	YES. For shielding
Aluminum containers	YES. Can be used if 3/4 filled with food. Keep 1 inch away from walls and do not cover with foil.	YES. Broil-No cover	YES. Can be used if 3/4 filled with food. Keep 1 inch away from walls and do not cover with foil.
Browning dish	YES. Do not exceed recommended preheating time. Follow manufacturer's directions.	NO	NO
Glass ceramic (Pyroceram®)	YES. Excellent	YES. Excellent	YES. Excellent
Glass, heat-resistant	YES. Excellent.	YES. Excellent	YES. Excellent
Glass, non-heat-resistant	NO	NO	NO
Lids, glass	YES	YES. Broil-No cover	YES
Lids, metal	NO	YES. Broil-No cover	NO
Metal cookware	NO	YES	YES. Do not use metal covering.
Metal, misc: dishes with metallic trim, screws, bands, handles. Metal twist ties	NO	NO	NO
Oven cooking bags	YES. Good for large meats or foods that need tenderizing. DO NOT use metal twist ties.	YES. Broil-No cover	YES. Do not use metal twist ties.
Paper plates	YES. For reheating.	NO	NO
Paper towels	YES. To cover for reheating and cooking. Do not use recycled paper towels which may contain metal fillings.	NO	NO
Paper, ovenable	YES	YES. For temperatures up to 400°F. Do not use for broiling.	YES. For temperatures up to 400°F.
Microwave-safe plastic containers	YES. Use for reheating and defrosting. Some microwave-safe plastics are not suitable for cooking foods with high fat and sugar content. Follow manufacturer's directions.	NO	NO

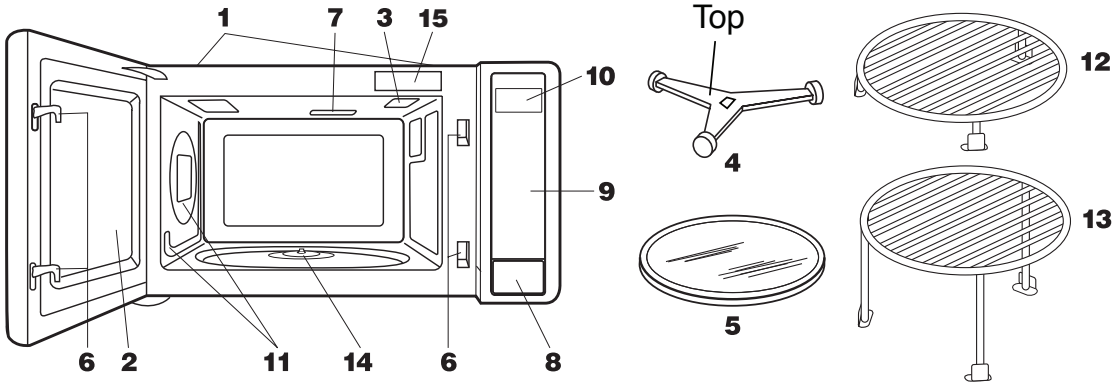
## INFORMATION YOU NEED TO KNOW

UTENSILS AND COVERINGS	MICROWAVE ONLY	CONVECTION BROIL, SLOW COOK	HIGH MIX/ ROAST LOW MIX/BAKE
Plastic, Thermoset®	YES	YES. Are heat resistant up to 425°F. Do not use for broiling.	YES
Plastic wrap	YES. Use brands specially marked for microwave use. DO NOT allow plastic wrap to touch food. Vent so steam can escape.	NO	NO
Pottery, porcelain stoneware	YES. Check manufacturer's recommendation for being microwave safe.	YES	YES. Must be microwave safe AND ovenable.
Styrofoam	YES. For reheating.	NO	NO
Wax paper	YES. Good covering for cooking and reheating.	NO	NO
Wicker, wood, straw	YES. May be used for short periods of time. Do not use with high fat or high sugar content foods. Could char.	NO	NO

**DISH CHECK:** If you wish to check if a dish is safe for microwaving, place the empty dish in the oven and microwave on HIGH for 30 seconds. If the dish becomes very hot, do NOT use it for microwaving.

**ACCESSORIES:** There are many microwave accessories available for purchase. Evaluate carefully before you purchase so that they meet your needs. A microwave-safe thermometer will assist you in determining correct doneness and assure you that foods have been cooked to safe temperatures when using microwave-only cooking. Sharp is not responsible for any damage to the oven when accessories are used.

**MICROWAVE OVEN**



- |   |  |
|---|--|
| <ul style="list-style-type: none"> <li>1 Ventilation openings (Rear side)</li> <li>2 Oven door with see-through window</li> <li>3 Oven light: It will light when the door is opened or when oven is in operation.</li> <li>4 Turntable support</li> <li>5 Removable turntable: The turntable will rotate clockwise or counterclockwise.</li> <li>6 Safety door latches: The oven will not operate unless the door is securely closed.</li> <li>7 Waveguide cover: DO NOT REMOVE.</li> </ul> | <ul style="list-style-type: none"> <li>8 Door open button</li> <li>9 Auto-Touch control panel</li> <li>10 Lighted digital display</li> <li>11 Convection air openings</li> <li>12 Removable low rack (Broiling rack)</li> <li>13 Removable high rack (Baking rack)</li> <li>14 Turntable motor shaft</li> <li>15 Menu Label</li> </ul> |
|---|--|

**MENU LABEL**

AUTO DEFROST	AUTO BROIL	AUTO ROAST	AUTO BAKE
1. Ground Meat	1. Hamburgers	1. Chicken	1. Bundt Cake
2. Steaks	2. Chicken Pieces	2. Turkey	2. Cookies
3. Chicken Pieces	3. Steaks	3. Turkey Breast	3. Muffins
	4. Fish Steaks	4. Pork	4. French Fries

**ACCESSORIES**

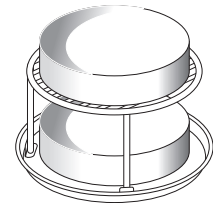
The following accessories are designed especially for use in this oven only for convection, mix or broil cooking. **DO NOT USE FOR MICROWAVE ONLY COOKING.** Do not substitute similar types of racks for these specially designed ones.

**High rack** (Baking rack)—for convection and low mix.

- This rack is placed on the turntable for two-level cooking, such as layer cakes, muffins, etc.

**Low rack** (Broiling rack)—for convection, broiling or high mix.

- Place on the turntable and use for roasting or broiling to allow juices to drain away from food.

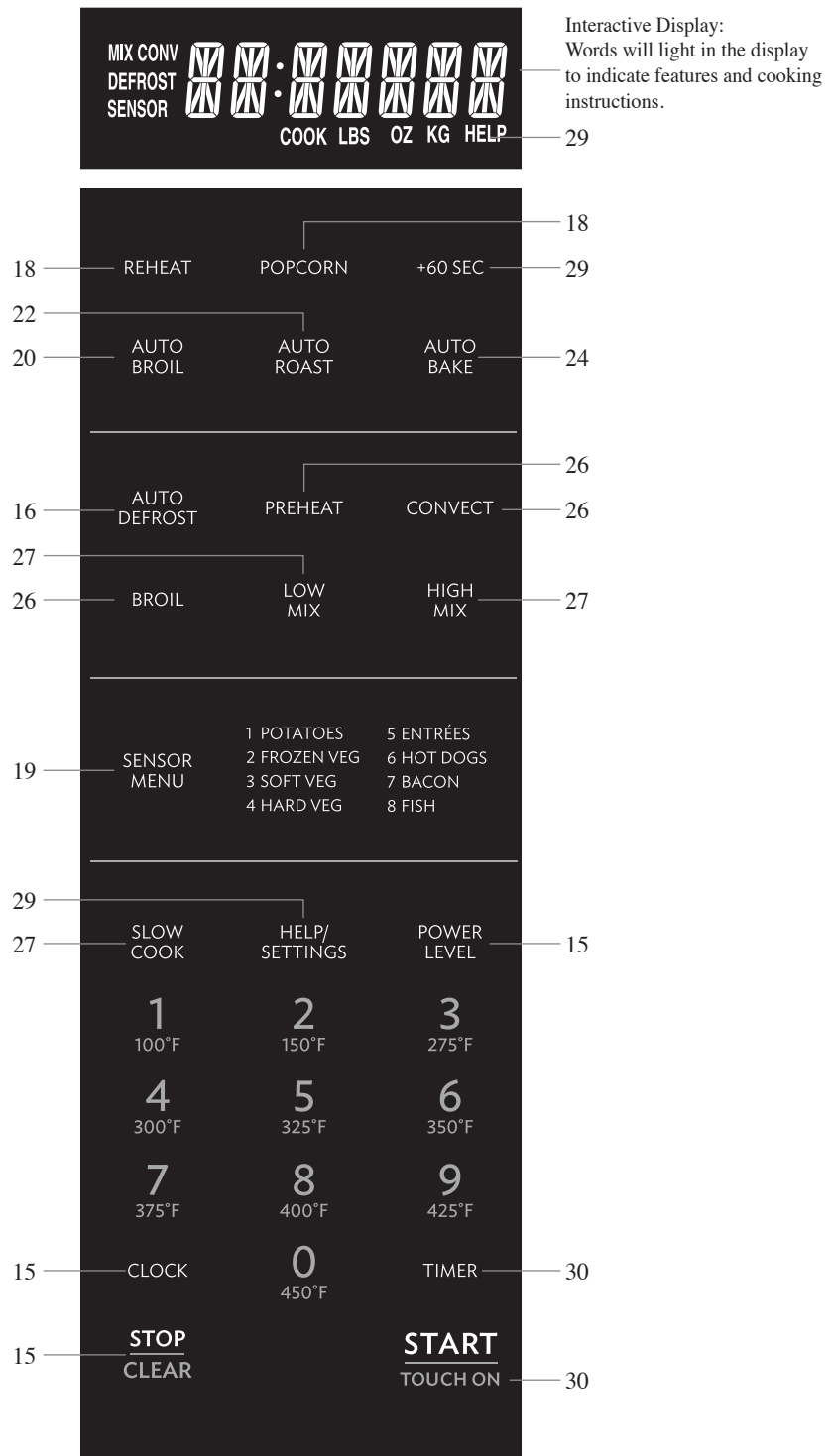


For US: please visit [www.sharpsusa.com](http://www.sharpsusa.com) and search for the model number to download Sharp's CONVECTION MICROWAVE COOKBOOK.

For Canada: please visit relevant product's page on [www.sharp.ca](http://www.sharp.ca) to download Sharp's CONVECTION MICROWAVE COOKBOOK.

# PART NAMES

## CONTROL PANEL



Numbers next to the padsheet illustration indicate page numbers where feature descriptions and usage information is located.

## BEFORE OPERATING

Before operating your new microwave oven make sure you read and understand this operation manual completely.

- Before the oven can be used, follow these steps:

- 1 Plug in the oven. **WELCOME** **PRESS** **CLEAR** **AND** **PRESS** **CLOCK** will appear.
- 2 Touch the **STOP/CLEAR** pad. **:** will appear.
- 3 Touch **CLOCK** pad.

### TO SET THE CLOCK

- 1 Touch **CLOCK** pad.
- 2 Touch number pads for correct time of day and touch **CLOCK** pad again.

This is a 12 hour clock. If you attempt to enter an incorrect clock time, **ERROR** will appear in the display. Touch the **STOP/CLEAR** pad and re-enter the time.

- If the electrical power supply to your microwave oven

should be interrupted, the display will intermittently show **WELCOME** **PRESS** **CLEAR** **AND** **PRESS** **CLOCK** after the power is reinstated. If this occurs during cooking, the program will be erased. The time of day will also be erased. Simply touch **STOP/CLEAR** pad and reset the clock for the correct time of day.

### STOP/CLEAR

Touch the **STOP/CLEAR** pad to:

- 1 Erase if you make a mistake during programming.
- 2 Cancel timer.
- 3 Stop the oven temporarily during timed cooking.
- 4 Return the time of day to the display.
- 5 Cancel a program during cooking, touch twice.

## MANUAL OPERATION

### TIME COOKING

Your microwave oven can be programmed for 99 minutes 99 seconds (99.99). Always enter the seconds after the minutes, even if they are both zeros.

- For example, to cook for 5 minutes at 100%.
- 1 Enter cooking time by touching the number pads 5 0 0.
  - 2 Touch **START/TOUCH ON** pad.

### TO SET POWER LEVEL

The microwave has 11 preset power levels.

Using lower power levels increases the cooking time which is recommended for foods such as cheese, milk and, long slow cooking of meats or defrosting. Consult recipes for specific recommendations.

- For example, to defrost for 5 minutes at 30%.

- 1 Enter defrost time 500.
- 2 Touch **POWER LEVEL** pad and number 3.
- 3 Touch **START/TOUCH ON** pad.

You can program up to 4 automatic cooking sequences. Follow directions on page 30. Note that the power level must be entered first when programming multiple sequences.

TOUCH POWER LEVEL PAD ONCE THEN TOUCH	APPROXIMATE PERCENTAGE OF POWER	COMMON WORDS FOR POWER LEVELS
POWER LEVEL	100%	High
9	90%	
8	80%	
7	70%	Medium High
6	60%	
5	50%	Medium
4	40%	
3	30%	Med Low/ Defrost
2	20%	
1	10%	Low
0	0%	

## MICROWAVE FEATURES

### AUTO DEFROST

Auto Defrost automatically defrosts foods shown in the Auto Defrost Chart.

- For example, to defrost a 2.0 pound steak:

- 1 Touch the **AUTO DEFROST** pad once.
- 2 Select the desired food by touching the **AUTO DEFROST** pad until the display shows the food name. Ex. touch twice for steak.
- 3 Enter the weight by touching the number pads 20.
- 4 Touch the **START/TOUCH ON** pad.

The oven will stop and directions will be displayed. Follow the indicated message.

- 5 After the 1st stage, open the door. Turn the steak over and shield any warm portions. Close the door. Touch the **START/TOUCH ON** pad.

- 6 After the 2nd stage, open the door. Shield any warm portions. Close the door. Touch the **START/TOUCH ON** pad.

After the defrost cycle ends, cover and let stand as indicated in chart below.

#### Note:

- If you attempt to enter more or less than the allowed amount as indicated in the chart, an error message will appear in the display.
- Auto Defrost can be programmed with More or Less Time Adjustment. See page 30.
- To defrost other foods or foods above or below the weights allowed on the Auto Defrost Chart, see Manual Defrost below.

### AUTO DEFROST CHART

FOOD	AMOUNT	PROCEDURE
1 Ground meat	.5 - 3.0 lb.	Remove any thawed pieces after each stage. Let stand, covered, for 5 to 10 minutes.
2 Steaks (Chops, fish)	.5 - 4.0 lb.	After each stage of defrost cycle, rearrange and if there are warm or thawed portions, shield with small flat pieces of aluminum foil. Remove any meat or fish that is nearly defrosted. Let stand, covered, 10–20 minutes.
3 Chicken pieces	.5 - 3.0 lb.	After each stage of defrost cycle, if there are warm or thawed portions, rearrange or remove. Let stand, covered, 10–20 minutes.

### MANUAL DEFROST

If the food that you wish to defrost is not listed on the Auto Defrost Chart or is above or below the limits in the AMOUNT column on the Auto Defrost Chart, you need to defrost manually.

You can defrost any frozen food, either raw or previously cooked, by setting the Power Level to 30%. Follow the exact 3-step procedure found under To Set Power Level on page 15. Estimate the defrosting time and press 3 for 30% when you select the power level.

For either raw or previously cooked frozen food, the rule of thumb is approximately 5 minutes per pound.

For example, defrost 5 minutes for 1 pound of frozen spaghetti sauce.

Always stop the oven periodically to remove or separate the portions that are defrosted. If food is not defrosted at the end of the estimated defrosting time, program the oven in 1 minute increments on Power Level 3 until totally defrosted.

When using plastic containers from the freezer, defrost only long enough to remove from the plastic in order to place in a microwave-safe dish.



## SENSOR COOKING

Sharp's Sensor is a semi-conductor device that detects the vapor (moisture and humidity) emitted from the food as it heats. The sensor adjusts the cooking times and power levels for various foods and quantities.

### USING SENSOR SETTINGS:

- 1 After the oven is plugged in, wait 2 minutes before using any Sensor setting.
- 2 Be sure the exterior of the cooking container and the interior of the microwave oven are dry. Wipe off any moisture with a dry cloth or paper towel.
- 3 Reheat and Popcorn can only be entered within 1 minute after cooking, opening and closing the door or touching the **STOP/CLEAR** pad.
- 4 During the first part of sensor cooking, the food name will appear on the display. Do not open the oven door or touch **STOP/CLEAR** during this part of the cooking cycle. The measurement of vapor will be interrupted. If this occurs, an error message will appear. To continue cooking, touch the **STOP/CLEAR** pad and select cooking time and variable power.

When the sensor detects the vapor emitted from the food, remainder of cooking time will appear. Door may be opened when remaining cooking time appears on the display. At this time, you may stir or season food, as desired.

- 5 Check food for temperature after cooking. If additional time is needed, continue to cook with variable power and time.
- 6 If the sensor does not detect vapor properly when popping popcorn, the oven will turn off, and the correct time of day will be displayed. If the sensor does not detect vapor properly when using sensor reheat, **ERROR** will be displayed, and the oven will turn off.
- 7 Any Sensor Cooking mode can be programmed with More or Less Time Adjustment. See page 30.
- 8 Each food has a cooking hint. Touch **HELP/SETTINGS** when the HELP indicator is lighted in the display.

### SELECTING FOODS:

- 1 The sensor works with foods at normal storage temperature. For example, food for dinner plate reheat would be at refrigerator temperature and popcorn at room temperature.
- 2 Foods weighing less than 3 ounces should be reheated by time and variable power.

### COVERING FOODS:

Some foods work best when covered. Use the cover recommended in the charts for these foods.

- 1 Casserole lid.
- 2 Plastic wrap: Use plastic wrap recommended for microwave cooking. Cover dish loosely; allow approximately 1/2 inch to remain uncovered to allow steam to escape. Plastic wrap should not touch food.
- 3 Wax paper: Cover dish completely; fold excess wrap under dish to secure. If dish is wider than paper, overlap two pieces at least one inch to cover.

Be careful when removing any covering to allow steam to escape away from you.

## MICROWAVE OVEN COOKING

### REHEAT

You can reheat many foods by touching just one pad. You don't need to calculate reheating time or power level.

- For example, to heat prepared chili:

Touch the **REHEAT** pad.

When the Sensor detects the vapor emitted from the food, the remainder of reheating time will appear.

### POPCORN

- For example, to pop a 3.5 oz. bag of popcorn:

Touch the **POPCORN** pad once.

This Sensor setting works well with most brands of microwave popcorn. You may wish to try several and choose your favorite. Pop only one bag at a time. Unfold the bag and place in oven according to directions.

### REHEAT / POPCORN CHART

FOOD	AMOUNT	PROCEDURE
Reheat		
Leftovers such as rice, potatoes, vegetables, casserole	4 - 36 oz.	Place in dish or casserole slightly larger than amount to reheat. Flatten, if possible. Cover with lid, plastic wrap or wax paper. Use covers such as plastic wrap or lids with larger quantities of more dense foods such as stews.
Soups	1 - 4 cups	After reheating, stir well, if possible. Foods should be very hot. If not, continue to heat with variable power and time. After stirring, recover and allow to stand 2 to 3 minutes.
Canned entrees and vegetables	4 - 36 oz.	Use Less Time Adjustment by touching <b>POWER LEVEL</b> pad twice for small quantities of canned vegetables.
Popcorn		
	Only 1 package at a time	Use only popcorn packaged for microwave oven use. Try several brands to decide which you like best. Do not try to pop unpopped kernels. More Or Less Time Adjustment can be used to provide adjustment needed for older popcorn or individual tastes.
	3.0 - 3.5 oz. bag (Regular size)	Touch <b>POPCORN</b> pad once. This setting works well with most 3.0-3.5 oz. bags of microwave popcorn.
	1.5 - 1.75 oz. bag (Snack size)	Touch <b>POPCORN</b> pad twice within 2 seconds for snack size bags.

## SENSOR MENU

- For example, to cook a baked potato:
- 1 Touch the **SENSOR MENU** pad.
  - 2 Select the desired sensor setting. Ex: touch the number pad 1 to cook baked potatoes.
  - 3 Touch the **START/TOUCH ON** pad.

When Sensor detects the vapor emitted from the food, the remainder of cooking time will appear.

## SENSOR MENU CHART

FOOD	AMOUNT	PROCEDURE
<b>1</b> POTATOES	1 - 8 med.	Pierce. Place on paper-towel-lined microwave oven. After cooking, remove from microwave, wrap in aluminum foil and let stand 5 to 10 minutes.
<b>2</b> FROZEN VEG	1 - 8 cups	Do not add water. Cover with lid or plastic wrap. After cooking, stir, and let stand covered for 3 minutes.
<b>3</b> SOFT VEG		Wash and place in casserole. Do not add water if vegetables have just been washed. Cover with lid for tender vegetables. Use plastic wrap for tender-crisp vegetables. After cooking, stir, if possible. Let stand covered for 2 to 5 minutes.
Broccoli	.25 - 2.0 lb.	
Brussel sprouts	.25 - 2.0 lb.	
Cabbage	.25 - 2.0 lb.	
Cauliflower (flowerets)	.25 - 2.0 lb.	
Cauliflower (whole)	1 med.	
Spinach	.25 - 1.0 lb.	
Zucchini	.25 - 2.0 lb.	
Baked apples	2 - 4 med.	
<b>4</b> HARD VEG		Place in casserole. Add 1 - 4 tablespoons water. Cover with lid for tender vegetables. Use plastic wrap cover for tender-crisp vegetables. After cooking, stir, if possible. Let stand covered for 2 to 5 minutes.
Carrots, sliced	.25 - 1.5 lb.	
Corn on the cob	2 - 4 pcs.	
Green beans	.25 - 1.5 lb.	
Winter squash:		
diced	.25 - 1.5 lb.	
halves	1 - 2	
<b>5</b> ENTRÉES	6 - 17 oz.	Use for frozen convenience foods. It will give satisfactory results for most brands. You may wish to try several and choose your favorite. Remove package from outer wrapping and follow package directions for covering. After cooking, let stand covered for 1 to 3 minutes.
<b>6</b> HOT DOGS	1 - 4 servings	Place hot dog in bun and wrap in paper towel or paper napkin.
<b>7</b> BACON	2 - 6 slices	Place bacon on paper plate lined with paper towel. Bacon should not extend over the rim of plate. Cover with paper towel. Put another paper plate upside down on turntable. Place plate of bacon on top of overturned plate.
<b>8</b> FISH	.25 - 2.0 lb.	Arrange in ring around shallow glass dish (roll fillet with edges underneath). Cover with vented plastic wrap. After cooking, let stand covered for 3 minutes.

## CONVECTION AUTOMATIC OPERATION

This section of the operation manual offers instructions for preparing 12 popular foods using Auto Broil, Auto Roast and Auto Bake.

After selecting the desired feature, follow the directions indicated in the display.

For helpful hints, simply touch **HELP SETTINGS** anytime **HELP** is lighted in the display.

**CAUTION** The oven cabinet, cavity, door, turntable, turntable support, racks and dishes will become hot. To **PREVENT BURNS**, use thick oven gloves when removing the food or turntable from the oven.

### AUTO BROIL

Auto Broil automatically broils hamburgers, chicken pieces, steaks and fish steaks.

- For example, to broil 2 hamburgers:

- 1 Touch the **AUTO BROIL** pad.
- 2 Select the desired setting. Ex: for hamburgers, touch number pad 1.
- 3 Touch the number pad to enter quantity. Ex: 2. Follow the information in display for cooking information.

For well done or rare burgers, touch the **POWER**

**LEVEL** pad to select More for well done or Less for rare. See More Or Less Time Adjustment on page 30.

- 4 Touch the **START/TOUCH ON** pad.

After the broil preheat cycle ends, the oven will stop and directions will be displayed. Follow the indicated message. Open the door and place hamburgers into oven. Close the door.

- 5 Touch **START/TOUCH ON** pad.

#### Note:

- Auto Broil can be programmed with More Or Less Time Adjustment. See page 30.
- If you attempt to enter more or less than the allowed amount as indicated in chart below, an error message will appear in the display.
- To broil other foods or foods above or below the weight or number allowed on Auto Broil Chart, follow the instructions in the Convection Broiling Chart on page 21.

### AUTO BROIL CHART

SETTING/FOOD	AMOUNT	RACK	PROCEDURE
1 Hamburgers	1 - 8 pieces 0.25 lb each	Low	Use this setting to broil hamburger patties. Place on low rack.
2 Chicken pieces	0.5 - 3.5 lb.	Low	Arrange pieces on low rack. After cooking, let stand 3-5 minutes. Dark meat should be 180°F, and white meat should be 170°F.
3 Steaks	0.5 - 2.0 lb.	Low	Use this setting to broil steaks from 3/4" to 1" thick. Individual boneless steaks broil evenly. Place steak on low rack. For well done, touch Power Level once; for rare, touch <b>POWER LEVEL</b> twice.
4 Fish steaks	0.5 - 2.0 lb.	Low	Use this setting to broil fish steak, which is 3/4" to 1" thick. Place on low rack.

# CONVECTION AUTOMATIC OPERATION

## CONVECTION BROILING CHART

CUT		WEIGHT/ THICKNESS	CONVECTION TIME	
<b>Beef</b>				
Rib		3/4-1 in. 7-8 oz. each	Rare	10-13 min.
			Medium	14-16 min.
			Well Done	17-20 min.
Steaks: Sirloin, Porterhouse, T-Bone		1-1 1/2 in.	Rare	10-13 min.
			Medium	14-18 min.
			Well Done	19-25 min.
Chuck Steak		1 in.	Rare	12-14 min.
			Medium	15-18 min.
			Well Done	19-23 min.
London Broil		1-1 1/4 in. 2 1/2 -3 lb.	Rare	23-25 min.
			Medium	26-30 min.
Hamburgers		1/4 lb. each	Medium	13-15 min.
			Well Done	18-20 min.
<b>Pork</b>				
Chops: loin or center		3/4-1 in.	Well Done	16-20 min.
Bacon	Regular sliced			4-5 min.
	Thick sliced			7-8 min.
Sausage:	Brown 'n Serve	Patties: 1/2 in., 8 oz.-1 lb.		8-10 min.
	Fresh	Links: 8 oz.-1 lb.		8-10 min.
Ham slice, fully cooked		3/4 in.		10-12 min.
Frankfurters		1 lb.		5-7 min.
<b>Lamb</b>				
Chops: rib, loin or center		3/4 in. 3-4 oz. each	Medium	12-14 min.
			Well Done	15-17 min.
<b>Chicken</b>				
Broiler-Fryer, halved, quartered or cut up		1-3 lb.		25-35 min.
<b>Fish</b>				
Fillets		1/4 - 3/4 in.		6-7 min.
Steaks		3/4-1 in.		12-14 min.

## CONVECTION AUTOMATIC OPERATION

### AUTO ROAST

Auto Roast automatically roasts chicken, turkey, turkey breast or pork.

- For example, to roast a 2.5 pound chicken:
  - 1 Touch the **AUTO ROAST** pad.
  - 2 Select the desired setting. Ex: for chicken, touch the number pad 1.
  - 3 Touch the number pad to enter the weight. Ex: 2.5 lb. 25
  - 4 Touch the **START/TOUCH ON** pad.

After the Auto Roast cycle ends, a long tone will sound. Follow the indicated message.

#### Note:

- Auto Roast can be programmed with the More Or Less Time Adjustment. See page 30.
- If you attempt to enter more or less than the allowed weight as indicated in chart below, an error message will appear in the display.
- To roast other food or foods above or below the weights allowed on Auto Roast Chart, check the Combination Roasting Chart on page 23.

### AUTO ROAST CHART

SETTING/FOOD	AMOUNT	RACK	PROCEDURE
1 Chicken	2.5 - 7.5 lb.	Low	After the cycle ends, cover with foil and let stand for 5 to 10 minutes.
2 Turkey	6.5 - 16.0 lb.	Low	Season as desired. Place on low rack. After the cycle ends, cover with foil and let stand 10 minutes. Internal temperature of white meat should be 170°F and dark meat, 180°F.
3 Turkey breast	3.0 - 6.0 lb.	Low	Season as desired. Place on low rack. After the cycle ends, cover with foil and let stand 10 minutes. Internal temperature of white meat should be 170°F.
4 Pork	2.0 - 3.5 lb.	Low	Boneless pork loin is recommended because it cooks evenly. Place on a low rack. After cooking, remove from oven, cover with foil and allow to stand 5 to 10 minutes. Internal temperature should be 165°F.

## CONVECTION AUTOMATIC OPERATION

### COMBINATION ROASTING CHART

CUT		TIME
<b>Beef</b>		
Roasts (tender cuts)	Rare	12-14 min. per lb. at HIGH MIX, 325°F
	Medium	13-15 min. per lb. at HIGH MIX, 325°F
	Well Done	14-17 min. per lb. at HIGH MIX, 325°F
Roasts (less tender cuts)	Rare	12-15 min. per lb. at HIGH MIX, 325°F
	Medium	13-17 min. per lb. HIGH MIX, 325°F
	Well Done	14-18 min. per lb. at HIGH MIX, 325°F
<b>Veal</b>		
Roasts (boned, rolled, tied)	Well Done	14-16 min. per lb. at HIGH MIX, 325°F
Breast (stuffed)	Well Done	11-13 min. per lb. at HIGH MIX, 325°F
<b>Pork</b>		
Roasts (boned, rolled, tied or bone-in)	Well Done	14-16 min. per lb. at HIGH MIX, 325°F
Smoked Ham		7-9 min. per lb. at HIGH MIX, 325°F
<b>Lamb</b>		
Leg, Roasts	Rare	10-12 min. per lb. at HIGH MIX, 325°F
	Medium	12-14 min. per lb. at HIGH MIX, 325°F
	Well Done	14-16 min. per lb. at HIGH MIX, 325°F
<b>Poultry</b>		
Chicken, whole		9-13 min. per lb. at HIGH MIX, 325°F
Chicken, pieces		10-14 min. per lb. at HIGH MIX, 375°F
Turkey (unstuffed)		7-10 min. per lb. at HIGH MIX, 325°F
Turkey Breast		13-16 min. per lb. at HIGH MIX, 325°F

# CONVECTION AUTOMATIC OPERATION

## AUTO BAKE

Auto Bake automatically bakes cakes, brownies, muffins and french fries.

- For example, to bake a bundt cake:

- 1 Touch the **AUTO BAKE** pad.
- 2 Select the desired setting. Ex: for bundt cake, touch the number pad 1.
- 3 Touch the **START/TOUCH ON** pad.

### Note:

- Auto Bake can be programmed with the More Or Less Time Adjustment. See page 30.
- To bake other foods, see the Combination Baking Chart on page 25.

## AUTO BAKE CHART

SETTING/FOOD	AMOUNT	RACK	PROCEDURE
1 Bundt cake	1 cake	No rack	Ideal for packaged cake mix or your own recipe. Prepare according to package or recipe directions and place in a greased and floured bundt pan. Place pan in oven. Cool before frosting and serving.
2 Cookies	1 or 2 pizza pans	1 pizza pan No rack 2 pizza pans High	Ideal for refrigerated cookie dough. Prepare according to package or recipe directions and place on a greased and floured 12" pizza pan. Cookies should be approximately 1/3 inch thick and 2 inches in diameter for best results. After the preheat is over, place pan in oven. Cool before serving
3 Muffins	6 - 12 muffins 1 or 2 muffin pans	1 pan No rack 2 pans High	Ideal for packaged muffin mix or your own recipe for 6-12 medium size muffins. Prepare according to package or recipe directions and place in muffin pan. After the preheat is over, place pan in oven.
4 French fries	3 - 24 oz. 1 or 2 pizza pans For more than 12 oz. use 2 pans	1 pizza pan No rack 2 pizza pans High	Use frozen prepared french fries. No preheat is required for the french fries baking procedure. Place french fries on pizza pan. For shoestring potatoes, touch <b>POWER LEVEL</b> pad twice to enter less time before touching <b>START/TOUCH ON</b> pad.



## CONVECTION AUTOMATIC OPERATION

### COMBINATION BAKING CHART

ITEM	PROCEDURE
<b>Cakes: Your recipe or mix</b>	
Tube or Bundt Cakes	LOW MIX, 350°F for three-fourths the recommended time.*
Angel Food	LOW MIX, 350°F for 25 to 30 minutes.
Loaf Cakes or Quick Breads	LOW MIX, 350°F for three-fourths the recommended time.
<b>Bar Cookies: Your recipe or mix</b>	LOW MIX, 350°F for three-fourths the recommended time or until wooden pick inserted in center comes out clean.
<b>Pies</b>	
Single Crust: Baked before filling, your recipe, mix or frozen prepared	Prick crust with fork. Preheat oven to 425°F. Bake on broiling trivet 8 to 10 minutes or until lightly browned. Let cool before filling.
Double Crust	Preheat oven to 400°F. Bake on broiling trivet 25 to 35 minutes on HIGH MIX, 400°F.
Crumb Top	Preheat oven to 400°F. Bake on broiling trivet 20 to 25 minutes on HIGH MIX, 400°F.
Custard Pie	Prebake, following directions for single crust; cool. Fill with desired uncooked custard. Bake on pizza pan on broiling trivet 35 minutes on LOW MIX, 325°F. If custard is not set, let stand in oven a few minutes.
Pecan Pie	Bake on broiling trivet 25 to 30 minutes on LOW MIX, 350°F.
Frozen Prepared Fruit Pies	Place on pizza pan on broiling trivet and bake 30 to 40 minutes using HIGH MIX, 375°F.
Frozen Prepared Custard Pies	Preheat oven to package temperature. Place on broiling trivet and bake three-fourths of package time using LOW MIX, and package temperature. If not set, let stand in oven a few minutes.
<b>Breads</b>	
Loaf: Your recipe or frozen, thawed and proofed	LOW MIX, 350°F. 1 to 2 loaves, 25 to 30 minutes.
Braid or other shape	Remove metal turntable from oven. Place bread directly on metal turntable. LOW MIX, 350°F for three-fourths the conventional time.

\* If arcing occurs while using a fluted tube pan, place a heat-resistant dish (Pyrex® pie plate, glass pizza tray or dinner plate) between the pan and the broiling trivet.

## MANUAL CONVECTION AND AUTOMATIC MIX COOKING


The oven should not be used without the turntable in place, and it should never be restricted so that it cannot rotate. You may remove the turntable when preheating the oven and when preparing food to be cooked directly on the turntable.

**CAUTION** The oven cabinet, cavity, door, turntable, turntable support, racks and dishes will become hot. To PREVENT BURNS, use thick oven gloves when removing the food or turntable from the oven.

### CONVECTION COOKING

During convection heating, hot air is circulated throughout the oven cavity to brown and crisp foods quickly and evenly. This oven can be programmed for ten different convection cooking temperatures for up to 99 minutes, 99 seconds.



#### TO COOK WITH CONVECTION

- For example, to cook at 350°F for 20 minutes:
- 1 Touch the **CONVECT** pad.
  - 2 Select the temperature by touching the number pad .
  - 3 Enter the cooking time by touching the number pads 2000.
  - 4 Touch the **START/TOUCH ON** pad.

**Note:** If you wish to know the programmed oven temperature, simply touch the **CONVECT** pad. As long as your finger is touching the **CONVECT** pad, the programmed oven temperature will be displayed.

#### TO PREHEAT AND COOK WITH CONVECTION

Your oven can be programmed to combine preheating and convection cooking operations. You can preheat to the same temperature as the convection temperature or change to a higher or lower temperature.

- For example, to preheat to 350°F and then cook 25 minutes at 375°F convection:
- 1 Touch the **PREHEAT** pad.
  - 2 Select the temperature by touching the number pad .
  - 3 Touch the **CONVECT** pad.
  - 4 Select the temperature by touching the number pad .
  - 5 Select the cooking time by touching the number pads 2500.
  - 6 Touch the **START/TOUCH ON** pad.

When the oven reaches the programmed temperature, a signal will sound 4 times\*. The oven will stop, and directions will be displayed. Follow the indicated message.

- 7 Open the door. Place the food in the oven. Close the door. Touch the **START/TOUCH ON** pad.

\* If the oven door is not opened, the oven will automatically hold at the preheat temperature for 30 minutes. After this time has elapsed, an audible signal will sound and the oven will turn off.

#### Note:

- To program only preheat, touch the **START/TOUCH ON** pad after step 2. Preheating will start. When the oven reaches the programmed temperature, follow the indicated message.
- To preheat and cook with the same temperature, enter same temperature in steps 2 and 4.

### BROIL

Preheating is automatic when the Broil setting is used. Only actual cooking time is entered; the oven signals when it is preheated to 450°F. Oven temperature cannot be changed. Use Broil setting for steaks, chops, chicken pieces and many other foods.

- For example, to broil a steak for 15 minutes:
- 1 Touch the **BROIL** pad.
  - 2 Enter the cooking time by touching the number pads 1500.
  - 3 With no food in the oven, touch the **START/TOUCH ON** pad.

When the oven reaches the programmed temperature, a signal will sound 4 times\*.

- 4 Open the door, place the food in the oven and close the door. Touch the **START/TOUCH ON** pad.

\* If the oven door is not opened, the oven will automatically hold at the preheat temperature for 30 minutes. After this time has elapsed, an audible signal will sound and the oven will turn off.

#### Note:

- Preheating for broil may take from 7 to 10 minutes depending on temperature of room and available power.
- Although time is usually set for the maximum broiling time, always check food. This will eliminate the need to completely reprogram the oven if additional cooking time is needed. Simply close the oven door and touch **START/TOUCH ON** to continue.
- Should you need more broiling time, reprogram within 1 minute of the end to eliminate preheating.

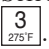
# MANUAL CONVECTION AND AUTOMATIC MIX COOKING

**CAUTION** The oven cabinet, cavity, door, turntable, turntable support, racks and dishes will become hot. To PREVENT BURNS, use thick oven gloves when removing the food or turntable from the oven.

## SLOW COOK

Slow Cook is preset at 300°F for 4 hours. The temperature can be changed to below 300°F. The cooking time cannot be changed. This feature can be used for foods such as baked beans or marinated chuck steak.

- For example, to change oven temperature from 300°F to 275°F:

- 1 Touch the **SLOW COOK** pad.
- 2 Touch the **SLOW COOK** pad once more if you want to change the temperature from 300°F.
- 3 Select the temperature by touching the number pad .
- 4 Touch the **START/TOUCH ON** pad.

**Note:** If you do not change the temperature, omit steps 2 and 3.

## AUTOMATIC MIX COOKING


This oven has two pre-programmed settings that make it easy to cook with both convection heat and microwave automatically.

	OVEN TEMPERATURE	MICROWAVE POWER
High Mix	300°F	30%
Low Mix	350°F	10%

With the exception of those foods that cook best by convection heating alone, most foods are well suited to mix cooking using either Low Mix or High Mix.

The marriage of these two cooking methods produces juicy meats, moist and tender cakes and fine textured breads, all with just the right amount of browning and crispness.

The temperatures can be changed; however, the microwave power cannot.

The oven temperature can be changed from 100°F to 450°F. To change the temperature, first touch **HIGH MIX** or **LOW MIX** then touch the same pad again. When the display says , touch the desired temperature pad. Ex: **HIGH MIX**, **High mix** pad, 7. The mix temperature will change to 375°F automatically.

## TO COOK WITH AUTOMATIC MIX


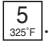
- For example, to bake a cake for 25 minutes on Low Mix:

- 1 Touch the **LOW MIX** pad.
- 2 Enter the cooking time by touching the number pads 2500.
- 3 Touch the **START/TOUCH ON** pad.

## TO PREHEAT AND COOK WITH AUTOMATIC MIX

Your oven can be programmed to combine preheating and automatic mix cooking operations. You can preheat at the same temperature as the preset combination temperature or change it to a different temperature.

- For example, to preheat to 350°F and then cook 25 minutes on 325°F Low Mix:

- 1 Touch the **PREHEAT** pad.
- 2 Touch the temperature pad .
- 3 Touch the **LOW MIX** pad.
- 4 Touch the **LOW MIX** pad once more to change the cooking temperature.
- 5 Touch the temperature pad .
- 6 Enter the cooking time by touching the number pads 2500.
- 7 Touch the **START/TOUCH ON** pad.

When the oven reaches the programmed temperature, a signal will sound 4 times\*. The oven will stop and directions will be displayed. Follow the indicated message.

- 8 Open the door, place the food in the oven and close the door. Touch the **START/TOUCH ON** pad.

\* If the oven door is not opened, the oven will automatically hold at the preheat temperature for 30 minutes. After this time has elapsed, an audible signal will sound and the oven will turn off.

**Note:** To program only preheat, touch the **START/TOUCH ON** pad after step 2. Preheating will start. When the oven reaches the programmed temperature, follow the indicated message.

# MANUAL CONVECTION AND AUTOMATIC MIX COOKING

## HELPFUL HINTS FOR CONVECTION AND AUTOMATIC MIX COOKING

Your convection microwave oven can cook any food perfectly because of the number of ways it can cook: microwave only, automatic mix, convection only or broil. This operation manual tells you how to program the oven.

The oven cannot be used without the turntable in place. Never restrict the movement of the turntable.

### CONVECTION COOKING:

- 1 When preheating, the turntable can be left in or removed. When using the high rack for 2 shelf baking in a preheated oven, it is easier to remove the turntable for preheat.

Place the high rack on turntable along with food. When preheat is over, open the oven door and quickly place the turntable, high rack and food to be baked inside.

- 2 Do not cover the turntable, low rack or high rack with aluminum foil. It interferes with air flow that cooks food.
- 3 Round pizza pans are excellent cooking utensils for many convection-only items. Choose pans that do not have extended handles.
- 4 Using a preheated low rack can give a grilled appearance to steaks, hot dogs etc.

### AUTOMATIC MIX COOKING:

- 1 Meats are best when roasted directly on the low rack. A dish can be placed below the meat if gravy is to be made from the drippings.
- 2 Less tender cuts of meat can be roasted and tenderized using oven cooking bags.
- 3 When baking, check for doneness after time has elapsed. If not completely done, let stand in oven a few minutes to complete cooking.

#### Note:

During mix baking, some metal baking utensils may cause arcing when they come in contact with the turntable, oven walls or accessory racks. Arcing is a discharge of electricity that occurs when microwaves come in contact with metal.

If arcing occurs, place a heat resistant dish (Pyrex® pie plate, glass pizza dish or dinner plate) between the pan and the turntable or rack. If arcing occurs with other metal baking utensils, discontinue their use for mix cooking.

### HELP/SETTINGS

HELP/SETTINGS provides 5 features which make using your microwave oven easy because specific instructions are provided in the interactive display.

#### 1. SAFETY LOCK

The safety lock prevents unwanted microwave oven operation, such as by small children. The microwave oven can be set so that the control panel is deactivated or locked. To set, touch **HELP/SETTINGS**, the number 1 and the **START/TOUCH ON** pads. Should a pad be touched, **LOCK** will appear in the display.

To cancel, touch the **HELP/SETTINGS** and **STOP/CLEAR** pads.

#### 2. AUDIBLE SIGNAL ELIMINATION

If you wish to have the microwave oven operate with no audible signals, touch **HELP/SETTINGS**, the number 2 and the **STOP/CLEAR** pads.

To cancel and restore the audible signal, touch **HELP/SETTINGS**, the number 2 and the **START/TOUCH ON** pads.

#### 3. AUTO START

If you wish to program your microwave oven to begin cooking automatically at a designated time of day, follow this procedure:

- For example, to start cooking a stew on 50% for 20 minutes at 4:30. Before setting, check to make sure the clock is showing the correct time of day:

- 1 Touch the **HELP/SETTINGS** pad.
- 2 Touch the number 3 to select the auto start.
- 3 To enter a start time of 4:30, touch numbers 4, 3 and 0.
- 4 Touch the **CLOCK** pad.
- 5 To enter cooking program, touch **POWER LEVEL**, number 5 and then touch numbers 2, 0, 0, and 0 for cooking time.
- 6 Touch the **START/TOUCH ON** pad. The chosen auto start time will appear in the display.

#### Note:

- Auto start can be used for manual cooking, Auto Broil, Auto Roast, Auto Bake, if the clock is set.
- If the microwave oven door is opened after programming auto start, it is necessary to touch the **START/TOUCH ON** pad for auto start time to appear in the readout so that the microwave oven will automatically begin programmed cooking at the chosen auto start time.

- Be sure to choose foods that can be left in the microwave oven safely until the auto start time. Acorn or butternut squash are often a good choice.
- If you wish to know the time of day, simply touch the **CLOCK** pad. As long as your finger is touching the **CLOCK** pad, the time of day will be displayed.

#### 4. LANGUAGE SELECTION

The microwave oven comes set for English. To change, touch **HELP/SETTINGS** and the number 4 pad. Continue to touch the number 4 pad until your choice is selected, then touch the **START/TOUCH ON** pad.

Touch number 4 once for English.

Touch number 4 twice for Spanish.

Touch number 4 three times for French.

#### 5. WEIGHT AND TEMPERATURE SELECTIONS

The microwave oven comes set for U.S. Customary Unit-pounds. To change, touch **HELP/SETTINGS** and the number 5. Continue to touch the number 5 until your choice is selected. Then, touch the **START/TOUCH ON** pad.

Touch number 5 once for LB / °F.

Touch number 5 twice for KG / °C.

### HELP

Each setting of Auto Defrost, Auto Broil, Auto Roast, Auto Bake, Sensor Menu, Reheat and Popcorn has a available cooking hint. Touch the **HELP/SETTINGS** pad when HELP is lighted in the interactive display to see the hints.

#### +60 SEC

+60 SEC allows you to cook for a minute at 100% by simply touching the **+60 SEC** pad. You can also extend cooking time in multiples of 1 minute by repeatedly touching the **+60 SEC** pad during manual cooking.

- For example, to heat a cup of soup for one minute:

Touch the **+60 SEC** pad.

#### Note:

- To use +60 SEC, touch pad within 1 minute after cooking, closing the door, touching the **STOP/CLEAR** pad or during cooking.
- +60 SEC cannot be used with Reheat, Popcorn, Sensor Menu, Auto Defrost, Auto Broil, Auto Roast or Auto Bake.

## OTHER FEATURES

### MORE OR LESS TIME ADJUSTMENT

Should you discover that you like any of the Sensor Menu, Reheat, Popcorn or Auto Defrost settings slightly more done, touch the **POWER LEVEL** pad once after touching your selection. The display will show **MORE**.

For slightly less done, touch the **POWER LEVEL** pad twice after touching your selection. The display will show **LESS**.

### MULTIPLE SEQUENCE COOKING

Your microwave oven can be programmed for up to 4 automatic cooking sequences, switching from one power level setting to another automatically.

Sometimes cooking directions tell you to start on one power level and then change to a different power level. Your microwave oven can do this automatically.

- For example, to cook roast beef for 5 minutes at 100% and then continue to cook for 30 minutes at 50%:
  - 1 First touch the **POWER LEVEL** pad twice for 100% power. Then enter the cooking time 500.
  - 2 Touch the **POWER LEVEL** pad. Touch number pad 5 for 50% power. Then enter second cooking time 3000.
  - 3 Touch the **START/TOUCH ON** pad.

#### Note:

If the **POWER LEVEL** pad is touched twice, **HIGH** will be displayed.

If you wish to know the power level during cooking, simply touch the **POWER LEVEL** pad. As long as your finger is touching the **POWER LEVEL** pad, the power level will be displayed.

### TIMER

- For example, to time a 3 minute long distance phone call:
  - 1 Touch the **TIMER** pad.
  - 2 Enter time by touching the number pads 300.
  - 3 Touch the **START/TOUCH ON** pad.

### DEMONSTRATION MODE

To demonstrate, touch **CLOCK**, the number 0 and then touch the **START/TOUCH ON** pad and hold for 3 seconds. **DEMO ON** will appear in the display. Cooking operations and specific special features can now be demonstrated with no power in the microwave oven. For example, touch the **+60 SEC** pad and the display will show **1.00** and count down quickly to **END**.

To cancel, touch **CLOCK**, then the number 0 and **STOP/CLEAR** pads. If easier, unplug the microwave oven from the electrical outlet and reconnect.

### TOUCH ON

Touch On allows you to cook at 100% power by touching the **START/TOUCH ON** pad continuously. Touch On is ideal for melting cheese, bringing milk to just below boiling etc.

The maximum cooking time is 3 minutes:

- For example, to melt cheese on a piece of toast:
  - 1 Continuously touch the **START/TOUCH ON** pad. The cooking time will begin counting up.
  - 2 When the cheese is melted to desired degree, remove your finger from the **START/TOUCH ON** pad. The microwave oven stops immediately.

#### Note:

- Take note of the required cooking time for frequently prepared foods and set the microwave accordingly in the future.
- To use Touch On, touch the pad within 1 minute after cooking, opening and closing the door or touching the **STOP/CLEAR** pad.
- Touch On can only be used 3 times in a row. To use Touch On additional times, open and close door or touch **STOP/CLEAR**.

Disconnect the power cord before cleaning or leave the door open to inactivate the microwave oven during cleaning.

### EXTERIOR

The outside surface is painted. Clean the outside with mild soap and water; rinse and dry with a soft cloth. Do not use any type of household or abrasive cleaner.

### DOOR

Wipe the window on both sides with a damp cloth to remove any spills or spatters. Metal parts will be easier to maintain if wiped frequently with a damp cloth. Avoid the use of spray and other harsh cleaners as they may stain, streak or dull the door surface.

### TOUCH CONTROL PANEL

Care should be taken in cleaning the touch control panel. If the control panel becomes soiled, open the microwave oven door before cleaning. Wipe the panel with a cloth dampened slightly with water only. Dry with a soft cloth. Do not scrub or use any sort of chemical cleaners. Close the door and touch the **STOP/CLEAR** pad.

### WAVEGUIDE COVER

The waveguide cover is made from mica so it requires special care. Keep the waveguide cover clean to assure good microwave oven performance. Carefully wipe with a damp cloth any food spatters from the surface of the cover immediately after they occur. Built-up splashes may overheat and cause smoke or possibly catch fire. Do not remove the waveguide cover.

### INTERIOR - AFTER MICROWAVE COOKING

Cleaning is easy because little heat is generated to the interior surfaces; therefore, there is no baking and setting of spills or spattering. To clean the interior surfaces, wipe with a soft cloth and warm water. **DO NOT USE ABRASIVE OR HARSH CLEANERS OR SCOURING PADS.** For heavier soil, use baking soda or a mild soap; rinse thoroughly with hot water. **NEVER SPRAY OVEN CLEANERS DIRECTLY ONTO ANY PART OF THE MICROWAVE OVEN.**

### INTERIOR - AFTER CONVECTION, MIX OR BROIL COOKING

Spatters may occur because of moisture and grease. Wash immediately after use with hot, soapy water. Rinse and polish dry. Harder to remove spatters may occur if oven is not thoroughly cleaned or if there is long time/high temperature cooking. If so, you may wish to purchase an oven cleaner pad with liquid cleaner within it—not a soap filled steel pad—for use on stainless or porcelain surfaces. Follow manufacturer's directions carefully and be especially cautious not to get any of the liquid cleaner in the perforations on the wall or ceiling or any door surfaces. Rinse thoroughly and polish dry.

After cleaning the interior thoroughly, residual grease may be removed from the interior ducts and heater by simply operating the oven on 450°F for 20 minutes without food. Ventilate the room if necessary.

### ODOR REMOVAL

Occasionally, a cooking odor may remain in the microwave oven. To remove, combine 1 cup water, grated peel and juice of 1 lemon and several whole cloves in a 2-cup glass measuring cup. Boil for several minutes using 100% power. Allow to set in microwave oven until cool. Wipe interior with a soft cloth.

### TURNTABLE / TURNTABLE SUPPORT / RACKS

The turntable, turntable support and racks can be removed for easy cleaning. Wash them in mild, sudsy water; for stubborn stains use a mild cleanser and a non-abrasive scouring sponge. They are also dishwasher-proof. Use top rack of dishwasher for turntable support.

Foods with high acidity, such as tomatoes or lemons, will cause the porcelain enamel turntable to discolor. Do not cook highly acidic foods directly on the turntable; if spills occur, wipe up immediately.

The turntable motor shaft is not sealed, so excess water or spills should not be allowed to stand in this area.

## SERVICE CALL CHECK

---

Please check the following before calling for service:

**1** Place one cup of water in a glass measuring cup in the microwave oven and close the door securely.

Operate the microwave oven for one minute at HIGH 100%.

A. Does the microwave oven light come on? YES \_\_\_\_\_ NO \_\_\_\_\_

B. Does the cooling fan work? (Put your hand over the rear ventilating openings.) YES \_\_\_\_\_ NO \_\_\_\_\_

C. Does the turntable rotate? (It is normal for the turntable to turn in either direction.) YES \_\_\_\_\_ NO \_\_\_\_\_

D. Is the water in the microwave oven warm? YES \_\_\_\_\_ NO \_\_\_\_\_

**2** Remove water from the oven and operate the oven for 5 minutes at CONVECTION 450°F.

A. Do CONV and COOK indicators light? YES \_\_\_\_\_ NO \_\_\_\_\_

B. After the oven shuts off, is inside of the microwave oven hot? YES \_\_\_\_\_ NO \_\_\_\_\_

If “NO” is the answer to any of the above questions, please check electrical outlet, fuse and/or circuit breaker. If they are functioning properly, CONTACT YOUR NEAREST SHARP AUTHORIZED SERVICER.

A microwave oven should never be serviced by a “do-it-yourself” repair person.

**Note:**

If time appearing in the display is counting down very rapidly, see Demonstration Mode on pag 30 and cancel.



## SPECIFICATIONS

AC Line Voltage:	UL Rating	Single phase 120V, 60Hz, AC only
	CSA Rating	Single phase 117V, 60Hz, AC only
AC Power Required:	UL Rating	1.55 kw, 13.0 amps. (Microwave/Convection)
	CSA Rating	1.5 kw, 13.0 amps. (Microwave/Convection)
Output Power:		
Microwave*	900 watts	
Convection Heater	1450 watts	
Frequency:	2450 MHz (Class B/Group 2)**	
Outside Dimensions:	24 5/8"(W) x 14 7/8"(H) x 19"(D)	
Cavity Dimensions:	16 1/8"(W) x 9 5/8"(H) x 16 1/8"(D)	
Microwave oven Capacity:***	1.5 Cu. Ft.	
Cooking Uniformity:	Turntable system	
Weight:	Approx. 60 lb.	

\* The International Electrotechnical Commission's standardized method for measuring output wattage. This test method is widely recognized.

\*\* This is the classification of ISM (Industrial, Scientific and Medical) equipment described in the International Standard CISPR 11.

Class B equipment means that the equipment is suitable to be used in domestic establishments.

Group 2 means that the equipment intentionally generates radio-frequency energy in the form of electromagnetic radiation for the heat treatment of food.

\*\*\* Internal capacity is calculated by measuring maximum width, depth and height. Actual capacity for holding food is less.

In compliance with standards set by:

FCC – Federal Communications Commission Authorized.

DHHS – Complies with Department of Health and Human Services (DHHS) rule, CFR, Title 21, Chapter I, Subchapter J.

Health Canada – Complies with Health Canada, Radiation Emitting Device Regulation for microwave oven.



– This symbol on the nameplate means the product is listed by Underwriters Laboratories, Inc. for use in USA or Canada.



MODÈLES

## SMC1585BB / SMC1585BS

## SMC1585BW

B = Noir, S = Acier inoxydable, W = Blanc



SMC1585BS

<b>PRÉCAUTIONS POUR ÉVITER LE RISQUE D'UNE EXPOSITION AUX MICRO-ONDES .....</b>	<b>2</b>	<b>FONCTIONNEMENT MANUEL .....</b>	<b>14</b>
<b>AIDE À LA CLIENTÈLE .....</b>	<b>3</b>	<b>MICRO-ONDES PARTICULARITÉS .....</b>	<b>15-18</b>
<b>GARANTIE LIMITÉE .....</b>	<b>4</b>	<b>CONVECTION FONCTIONNEMENT AUTOMATIQUE .....</b>	<b>19-24</b>
<b>IMPORTANTES CONSIGNES DE SÉCURITÉ .....</b>	<b>5</b>	<b>CUISSON PAR CONVECTION/ COMBINAISON AUTOMATIQUE .....</b>	<b>25-27</b>
<b>INSTRUCTIONS D'INSTALLATION .....</b>	<b>6</b>	<b>AUTRES PARTICULARITÉS PRATIQUES.....</b>	<b>28-29</b>
<b>INSTRUCTIONS DE MISE À LA TERRE .....</b>	<b>7</b>	<b>NETTOYAGE ET ENTRETIEN.....</b>	<b>30</b>
<b>CE QUE VOUS DEVEZ SAVOIR .....</b>	<b>8-11</b>	<b>APPEL DE SERVICE.....</b>	<b>31</b>
<b>LES PARTIES DE LA MICRO-ONDE.....</b>	<b>12-13</b>	<b>FICHE TECHNIQUE .....</b>	<b>32</b>
<b>AVANT L'UTILISATION.....</b>	<b>14</b>		

## **PRÉCAUTIONS POUR ÉVITER LE RISQUE D'UNE EXPOSITION AUX MICRO-ONDES**

- (a)** Ne pas essayer de faire fonctionner ce four lorsque la porte est ouverte, car le fonctionnement avec la porte ouverte pourrait entraîner une exposition dangereuse aux micro-ondes. Il est essentiel de ne pas rendre inopérant le système de fermeture de sûreté et de ne pas le modifier.
- (b)** Ne placer aucun objet entre le cadre et la porte du four et ne pas laisser de saleté ou de traces de produits de nettoyage s'accumuler sur les surfaces d'étanchéité.
- (c)** Ne pas utiliser le four s'il est endommagé. Il est particulièrement important que la porte ferme correctement et que les éléments suivants ne présentent pas de défauts : (1) porte (gauchie), (2) charnières et verrous (brisés ou desserrés), (3) joints et surfaces d'étanchéité de la porte.
- (d)** Le four ne doit être réglé ou réparé que par un personnel d'entretien qualifié.

**IMPORTANT ! Veuillez enregistrer votre produit dans les 10 jours suivant la date d'achat.**

**Faites l'enregistrement EN LIGNE au [www.sharppusa.com/productregistration](http://www.sharppusa.com/productregistration)**

Afin de faciliter les appels de service concernant cet appareil, veuillez inscrire ci-dessous le numéro de modèle et le numéro de série situés sur l'appareil. Nous vous suggérons également d'inscrire toutes les informations indiquées et de les conserver pour référence ultérieure.

NUMÉRO DE MODÈLE \_\_\_\_\_ NUMÉRO DE SÉRIE \_\_\_\_\_

DATE D'ACHAT \_\_\_\_\_ / \_\_\_\_\_ / \_\_\_\_\_

DÉTAILLANT \_\_\_\_\_ N°DÉTÉLÉPHONE \_\_\_\_\_

RÉPARATEUR \_\_\_\_\_ N°DÉTÉLÉPHONE \_\_\_\_\_

---

### AUX ÉTATS-UNIS

---

**POUR NOUS JOINDRE PAR TÉLÉPHONE : COMPOSEZ LE 1-800-BE-SHARP (237-4277) pour :**

LE SERVICE (pour l'agent de services autorisé le plus près de chez vous )

LES PIÈCES (pour votre distributeur de pièces autorisé)

INFORMATION SUPPLÉMENTAIRE À LA CLIENTÈLE

**POUR NOUS JOINDRE PAR ÉCRIT :**

Sharp Electronics Corporation  
Customer Assistance Center  
Sharp Plaza Blvd  
Memphis, Tennessee 38193

**SITE INTERNET : [www.sharppusa.com](http://www.sharppusa.com)**

Lorsque vous communiquez avec nous par écrit ou par téléphone, veuillez fournir les renseignements suivants : le numéro de modèle, le numéro de série, la date d'achat, votre adresse postale complète (incluant le code ZIP), le numéro de téléphone pour vous joindre le jour (incluant l'indicatif régional) et la description du problème.

---

### AU CANADA

---

Pour obtenir le nom et l'adresse du Centre de services Sharp autorisé le plus près de chez vous, veuillez communiquer avec :

SHARP ÉLECTRONIQUE DU CANADA LTÉE.

335, rue Britannia Est,

Mississauga, ON L4Z 1W9

(905) 568-7140

**SITE INTERNET: [www.sharp.ca](http://www.sharp.ca)**

Lorsque vous communiquez avec nous par écrit ou par téléphone, veuillez fournir les renseignements suivants : le numéro de modèle, le numéro de série, la date d'achat, votre adresse postale complète (incluant le code postal), le numéro de téléphone pour vous joindre le jour (incluant le code ZIP ou le code postal) et la description du problème.



## GARANTIE LIMITÉE

### Produits électroniques de grande consommation

### Merci d'avoir choisi la marque Sharp!

Sharp Électronique du Canada Ltée (« Sharp ») garantit à l'acheteur initial de ce Produit de marque Sharp (le « Produit ») que, s'il est emballé dans son contenant original et s'il est vendu ou distribué au Canada par Sharp ou par un détaillant agréé Sharp, et s'il n'a pas été vendu « tel quel » ou s'il ne s'agissait pas d'une « vente ferme », ledit Produit est exempt de défaut de fabrication et de vice de matériau pour la période de garantie stipulée et s'engage auprès de l'acheteur initial, durant ladite période de garantie applicable, à réparer la défectuosité ou à remplacer le Produit défectueux.

**Conditions :** La présente garantie limitée ne s'applique pas :

- (a) Aux dommages occasionnés ou aux réparations requises sur les appareils qui ont fait l'objet d'un emploi abusif, de négligence, d'un accident, d'une installation inadéquate ou d'une utilisation non appropriée, tel qu'il est mentionné dans le manuel du propriétaire ou dans toute autre documentation applicable sur le Produit;
- (b) Aux dommages occasionnés ou aux réparations requises sur les produits Sharp trafiqués, modifiés, réglés ou réparés par une entité autre que Sharp, un centre agréé de service après-vente Sharp ou un détaillant agréé de service après-vente Sharp;
- (c) Aux dommages occasionnés ou aux réparations requises à la suite de l'utilisation du Produit avec des articles non désignés ou approuvés par Sharp, y compris, mais sans en être limité aux des agents de nettoyage chimiques;
- (d) Au remplacement des accessoires devenu nécessaire dans le contexte d'une utilisation normale du Produit, y compris, mais sans en être limité aux télécommandes, adaptateurs c.a., piles, sonde de température, plateaux, filtres, courroies, rubans, câbles ou papier;
- (e) Aux défauts cosmétiques à la surface ou au boîtier extérieur du Produit, et qui sont attribuables à une dégradation volontaire ou à une détérioration une sure résultant d'un usage normal;
- (f) Aux défectuosités occasionnées ou aux réparations requises à la suite de dommages occasionnés par des conditions extérieures et relatives à l'environnement, y compris, mais sans en être limité à surtension de la ligne électrique ou de transmission, liquide répandu ou force majeure;
- (g) Si le numéro de série ou de modèle indiqué sur le Produit a été enlevé, dégradé, modifié, altéré ou varié;
- (h) La présente garantie limitée ne s'applique pas si le Produit a été utilisé ou est utilisé dans un environnement commercial ou aux fins commerciales, puisque la présente garantie s'applique uniquement aux produits non commerciaux et utilisés dans un contexte ménager ou personnel, par des consommateurs dans leur résidence;
- (i) Aux frais d'installation, de livraison, de configuration et/ou de programmation.
- (j) Au démontage et à la réinstallation des fours à micro-ondes à hotte intégrée, du tiroir à micro-ondes Microwave Drawer, ou du four à vapeur si l'appareil est installé dans un endroit inaccessible, si des armoires, des poignées ou d'autres pièces d'appoint doivent être enlevées pour l'accès au Produit, ou si l'appareil n'est pas installé conformément aux directives d'installation du Produit.

**Pour obtenir le service après-vente :** La réparation sous garantie se fera à la condition que le Produit Sharp soit livré accompagné de la preuve d'achat (sur laquelle est indiquée la date d'achat) et d'une copie de la présente garantie limitée, à un centre agréé de service après-vente Sharp ou chez un détaillant agréé de service après-vente Sharp. Pour les fours à micro-ondes à hotte intégrée, les tiroirs à micro-ondes Microwave Drawer, ou les fours à vapeur, la réparation sur place sous garantie sera effectuée aux endroits accessibles par véhicule routier et situés à moins de 50 km d'un centre agréé de service Sharp. Le technicien peut, au besoin, ramener l'appareil à son atelier pour en faire la réparation. Aucun autre agent (y compris les détaillants et les centres de service après-vente Sharp) n'est autorisé à prolonger la durée de la garantie, à proposer des garanties additionnelles ou à transférer cette garantie au nom de Sharp. L'acheteur est redevable de tous les frais de démontage, de réinstallation, de transport et d'assurance de l'appareil, à l'exception des fours à micro-ondes à hotte intégrée, du tiroir à micro-ondes Microwave Drawer, ou du four à vapeur, auquel cas Sharp est responsable du démontage et de la réinstallation.

Les garanties expresses de la présente garantie limitée constituent, sauf pour les consommateurs-acheteurs domiciliés au Québec, et à l'exception des cas où la loi en vigueur l'interdit, la garantie entière du Produit. Sharp décline toute autre garantie et condition, explicite ou implicite, découlant de la loi, d'un règlement, de la conduite habituelle ou de l'usage du commerce, y compris, mais sans en être limité, les garanties ou les conditions implicites de qualité marchande et d'adaptabilité à une utilisation ou à une fin particulière, et/ou de non-violation. **Limitations** (non applicables aux consommateurs-acheteurs domiciliés au Québec, dans la mesure où la loi en vigueur au Québec l'interdit) : a) Sharp ne se tiendra en aucun cas responsable des dommages accessoires, spéciaux, consécutifs, économiques, exemplaires ou indirects de quelque type ou nature que ce soit (y compris la perte de profits ou les dommages par suite de la perte de temps, d'utilisation ou de données) relatifs à l'utilisation ou au rendement d'un Produit ou à la défectuosité d'un Produit, même si Sharp est informé ou a été avisé de la possibilité de tels dommages; b) les recours mentionnés dans la présente garantie limitée constituent l'exécution intégrale de toutes les obligations et responsabilités de Sharp envers l'acheteur à l'égard du Produit et constitueront la satisfaction entière de toutes les réclamations, qu'elles relèvent d'un contrat, de négligence, de responsabilité stricte ou autre. Dans certaines provinces, il est interdit d'exclure ou de limiter l'application de certains dommages ou de certaines limites sur la durée ou l'annulation de certaines garanties ou conditions implicite. Par conséquent, dans ces provinces, les exclusions et les limites indiquées aux présentes peuvent ne pas s'appliquer. La présente garantie limitée est, sauf pour les consommateurs-acheteurs domiciliés au Québec, régie par les lois de la province canadienne dans laquelle l'acheteur a acquis le Produit. Pour les consommateurs-acheteurs domiciliés au Québec, la présente garantie limitée est régie par les lois du Québec.

**PÉRIODES DE GARANTIE** (calculées à partir de la date de l'achat original) : Pièces et main-d'œuvre (exceptions relevées)

Four à micro-ondes	1 an (magnétron – 4 ans supplémentaires)
Four à vapeur	1 an
Petits électroménagers de cuisine	1 an
Purificateur d'air	1 an

Pour savoir les coordonnées du détaillant agréé de service après-vente ou du centre agréé de service après-vente Sharp près de chez vous, ou pour obtenir davantage de renseignements sur la présente garantie limitée, sur les offres de garantie prolongée de Sharp ou sur les ventes de produits ou d'accessoires Sharp, veuillez communiquer avec Sharp :

- Par écrit : Sharp Électronique du Canada Ltée, 335, rue Britannia Est, Mississauga (Ontario) L4Z 1W9
- Par téléphone : 905 568-7140
- Sur Internet : [www.sharp.ca](http://www.sharp.ca)

**CETTE GARANTIE LIMITÉE EST VALABLE UNIQUEMENT AU CANADA.**

Révision : 2016-03-22

# IMPORTANTES CONSIGNES DE SÉCURITÉ

## LIRE TOUTES LES INSTRUCTIONS AVANT L'EMPLOI

Certaines précautions de sécurité devraient toujours être prises lorsqu'on se sert d'appareils électriques :

**AVERTISSEMENT** *Pour réduire les risques de brûlures, de chocs électriques, de feu, de blessures ou d'exposition aux micro-ondes :*

- 1 Lire toutes les instructions avant de se servir de l'appareil.
- 2 Lire et suivre les PRÉCAUTIONS POUR ÉVITER LE RISQUE D'UNE EXPOSITION AUX MICRO-ONDES, à la page 2.
- 3 Cet appareil doit être mis à la terre. Se reporter aux «INSTRUCTIONS DE MISE À LA TERRE», page 7.
- 4 Installer ou placer l'appareil conformément aux instructions d'installation fournies.
- 5 Certains produits comme les oeufs entiers et les contenants scellés — par exemple, les pots en verre fermés — peuvent exploser et ne devraient pas être chauffés dans ce four.
- 6 N'utiliser cet appareil qu'aux fins décrites dans ce manuel. Ne pas utiliser de produits corrosifs dans le four à micro-ondes. Ce four a été conçu pour la cuisson et le réchauffage des aliments, non pour un usage industriel ou des travaux en laboratoire.
- 7 Comme pour tout appareil, exercer une surveillance étroite quand des enfants l'utilisent.
- 8 Ne pas faire fonctionner l'appareil si le cordon ou la fiche sont endommagés, si l'appareil ne fonctionne pas bien ou s'il a été endommagé ou est tombé.
- 9 Cet appareil ne doit être réparé que par un personnel de service autorisé. Communiquer avec le service de réparations autorisé Sharp le plus proche pour un examen, une réparation ou un réglage.
- 10 Ne couvrir ou bloquer aucune ouverture de l'appareil.
- 11 Ne pas laisser ni utiliser cet appareil à l'extérieur. Ne pas utiliser à proximité de l'eau ou dans un endroit très humide, près d'un évier, d'une piscine ou dans un sous-sol.
- 12 Ne pas immerger le cordon ou la fiche dans l'eau.
- 13 Garder le cordon loin des surfaces chauffées.
- 14 Ne pas monter ou s'asseoir sur de l'appareil.
- 15 Voir les instructions de nettoyage de la surface de la porte à la page 30.
- 16 Pour réduire le risque d'incendie dans la cavité du l'appareil :
  - a Ne pas trop faire cuire les aliments. Rester prudemment près du four lorsqu'on utilise du papier, du plastique ou tout autre matériel combustible pour faciliter la cuisson.

- b Retirer les attaches de métal des sacs de papoer ou de plastique avant de mettre les sacs au four.
  - c Si les matériaux à l'intérieur du l'appareil prennent feu, garder la porte du four fermée, arrêter le four et couper l'électricité au fusible ou au panneau d'entrée.
  - d Ne pas utiliser la cavité comme espace de rangement. Ne laisser ni papier, ni ustensiles de cuisson, ni aliments dans l'appareil lorsque l'appareil n'est pas utilisé.
- 17 Des liquides comme l'eau, le café ou le thé peuvent chauffer au-delà du point d'ébullition sans qu'aucun bouillonnement n'apparaisse à cause de la tension de surface du liquide. Ainsi, quand le contenant est retiré du l'appareil, il peut ne pas y avoir d'ébullition ou de bouillonnement apparents. **IL PEUT EN RÉSULTER UN DÉBORDEMENT DES LIQUIDES TRÈS CHAUDS LORSQU'UNE CUILLEUR OU UN AUTRE USTENSILE EST PLONGÉ DANS LE LIQUIDE.**

Pour réduire le risque de blessures personnelles :

- a Ne pas trop chauffer le liquide.
  - b Remuer le liquide et avant de le chauffer et à mi-cuisson.
  - c Ne pas utiliser de contenants à bords droits et à goulot mince. Utiliser un bocal à large goulot.
  - d Après le chauffage, laisser reposer le contenant dans le four à l'appareil pour au moins 20 secondes avant de le retirer.
  - e Faire très attention lorsque vous mettez une cuillère ou un autre ustensile dans le contenant.
- 18 Si la lumière l'appareil manque, consulter un RÉPARATEUR SHARP AUTORISÉ.
- 19 Ne pas utiliser un appareil de chauffage ou de cuisson sous cet appareil, à l'exception d'un four mural électrique ou un tiroir réchaud correctement installé. Allez à [www.sharppusa.com/trimkits](http://www.sharppusa.com/trimkits) pour accéder à la liste des kits de finition approuvés avec ces fours.
- 20 Ne pas monter l'unité au-dessus ou à proximité d'une partie d'un appareil de chauffage ou de cuisson, à l'exception d'un four mural électrique ou un tiroir réchaud correctement installé. Veuillez consulter notre page des produits concernés sur [www.sharp.ca](http://www.sharp.ca) (Canada) pour avoir des renseignements sur les options d'installation et la liste des accessoires décoratifs homologués, sur l'évier.
- 22 Ne pas stocker quoi que ce soit directement au-dessus de la surface de l'appareil lorsque l'appareil est en fonctionnement.

## LIRE ET CONSERVER CES DIRECTIVES

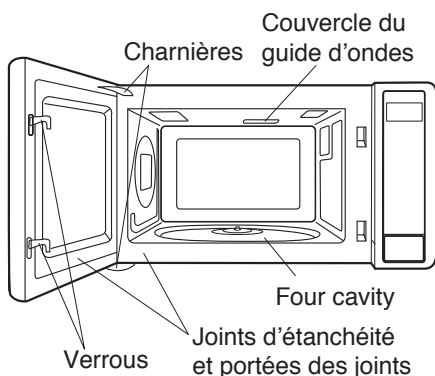
# INSTRUCTIONS D'INSTALLATION

## DÉBALLAGE ET INSPECTION DU FOUR

**1** Retirez tous les matériaux d'emballage à l'intérieur de la cavité du four. Lire enceintes et SAVE le manuel d'utilisation. **NE PAS RETIRER ET JETEZ LA VAGUE GUIDE COUVERTURE.**

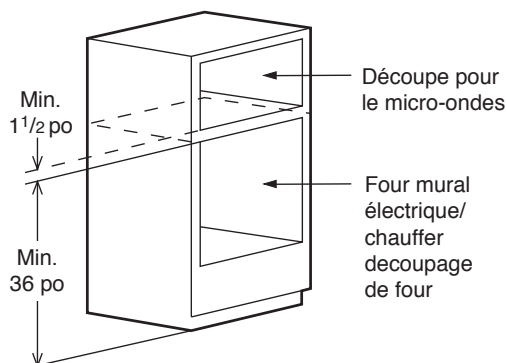
**2** Retirez l'autocollant de fonction, s'il y a un.

Vérifiez le four pour tout dommage, comme porte désaligné ou courbés, joints de porte endommagés et les surfaces d'étanchéité, les charnières et les loquets et les bosses dans la cavité ou sur la porte portes cassées ou lâches. S'il y a des dommages, ne pas faire fonctionner le four et contactez votre revendeur ou réparateur agréé SHARP.



## CHOIX D'UN EMPLACEMENT POUR LE FOUR

Vous allez utiliser votre four fréquemment afin de planifier son emplacement pour la facilité d'utilisation. Le four doit être placé sur un comptoir qui est un minimum de 36 pouces du sol. Prévoyez au moins 2 pouces sur les côtés, en haut et à l'arrière du four pour la circulation de l'air. Assurez-vous de positionner le four de sorte que l'arrière ne peut pas être touché par inadvertance.



CROQUIS 1

Votre convection four micro-ondes peut être construit dans une armoire ou un mur par lui-même ou au-dessus tout four mural ou un tiroir réchaud électrique. Allez à [www.sharppusa.com/trimkits](http://www.sharppusa.com/trimkits) (clients américains seulement) pour accéder à la liste des kits de finition approuvés avec ces fours.

Veillez consulter notre page des produits concernés sur [www.sharp.ca](http://www.sharp.ca) (Canada) pour avoir des renseignements sur les options d'installation et la liste des accessoires décoratifs homologués.

Voir croquis 1 pour l'emplacement correct lors de la construction au-dessus d'un four mural électrique ou un tiroir-réchaud. Suivez attentivement les deux four / réchauffement des instructions d'installation du tiroir de mur électrique et les instructions du kit intégrés de Sharp. Assurez-vous que le jeu du plancher entre le four électrique murale / tiroir chauffant et le four à micro-ondes est minimum de 11/2 pouces. Le kit comprend des conduits et la finition des bandes de finition et des instructions faciles à suivre pour l'installation ainsi que l'emplacement de l'alimentation.



# INSTRUCTIONS DE MISE À LA TERRE

Cet appareil doit être mis à la terre. Ce four est équipé d'un cordon d'alimentation avec fil de mise à la terre, et d'une fiche de mise à la terre. Il faut le brancher dans une prise murale qui a été installée correctement et mise à la terre selon le Code national de l'électricité et les codes et décrets locaux. En cas de court-circuit électrique, la mise à la terre réduit les risques de choc électrique en permettant au courant de s'échapper par le fil de mise à la terre.

**⚠ AVERTISSEMENT** – Un mauvais usage de la prise de terre peut causer des chocs électriques.

## INSTALLATION ÉLECTRIQUE

La tension d'alimentation est 120 volts, 60 Hz, CA seulement, 15 A ou plus et doit être protégée. Il est recommandé d'alimenter le four par un circuit séparé.

Le four est équipé d'une fiche de terre à trois broches. Il faut la brancher dans une prise murale correctement installée et mise à la terre. Si vous ne possédez que des prises à deux broches, demandez à un électricien de métier d'installer une prise murale qui convienne.

Un adaptateur à trois broches peut être utilisé temporairement si les codes électriques locaux le permettent. Suivre les instructions fournies sur l'emballage. Le cordon d'alimentation est court pour éviter qu'on ne s'y empêtre ou qu'on tombe.

## RALLONGE

Si une rallonge est nécessaire, utiliser une rallonge à trois fils munie d'une fiche de terre à trois broches et d'une prise à trois fentes qui accepte la fiche du four à micro-ondes. La puissance nominale de la rallonge doit être de 115-120 volts CA, 15 ampères ou plus.

Faire attention de ne pas laisser dépasser le cordon du comptoir ou de la table, pour éviter que des enfants ne tirent dessus ou que quelqu'un ne s'y empêtre et tombe.

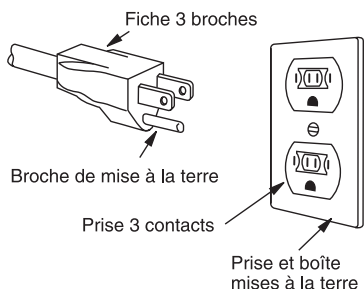
Remarques :

1. Pour toute question à propos de l'installation électrique ou de la mise à la terre, consulter un électricien de métier ou un réparateur qualifié.
2. Ni Sharp ni le détaillant ne peuvent être tenus responsables des dommages au four ou des blessures causés par une installation qui ne répond pas aux normes.

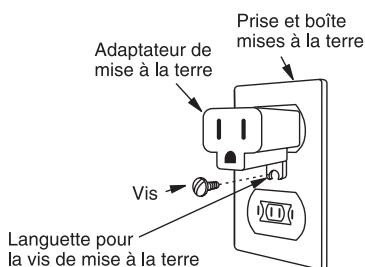
## INTERFÉRENCE RADIO OU TÉLÉVISION

Si le microwave oven provoque de l'interférence avec la radio ou la télévision, vérifier qu'il est branché sur un circuit électrique indépendant, en éloigner la radio ou la télévision le plus possible et vérifier la position et le signal de l'antenne de réception.

### Branchement permanent et correct



### Branchement temporaire



## CE QUE VOUS DEVEZ SAVOIR

### LE FOUR À MICRO-ONDES

Ce mode d'emploi est précieux; le lire attentivement et le conserver pour s'y reporter, au besoin.

Un bon livre de cuisine aux micro-ondes est très utile. Il présente les principes, les techniques, des conseils et des recettes de cuisine aux micro-ondes.

Ne JAMAIS se servir du four sans le plateau tournant et le support. Ne pas installer le plateau tournant à l'envers pour faire entrer dans le four un plat de grandes dimensions. Le plateau tourne dans les deux sens.

S'assurer à ce qu'il y ait TOUJOURS des aliments dans le four lorsqu'il est allumé, de sorte qu'ils absorbent l'énergie produite.

Quand on utilise le four à des niveaux de puissance inférieurs à 100 %, on peut entendre la mise en marche et l'arrêt du magnétron. Il est normal que l'extérieur du four soit chaud au toucher pendant la cuisson ou le réchauffement.

La condensation est un phénomène normal pendant la cuisson au four à micro-ondes. L'humidité ambiante et la teneur en eau des aliments déterminent le degré de condensation à l'intérieur du four.

En règle générale, les aliments couverts produisent moins de condensation que les aliments cuits à découvert. Veiller à ce que les événements à l'arrière du four soient toujours dégagés.

Ce four est conçu seulement pour la préparation des aliments. Il ne doit pas être utilisé pour sécher des vêtements ou des journaux.

La puissance de ce four est de 900 watts calculée par la méthode d'essai IEC. Vérifier la cuisson des aliments une minute ou deux avant la fin de la période minimum de cuisson indiquée sur les recettes et les emballages et, s'il y a lieu, augmenter le temps de cuisson.

### À PROPOS DE LA CUISSON AUX MICROONDES

- Disposer les aliments avec soin. Placer la partie la plus épaisse des aliments vers l'extérieur du plat.
- Surveiller le temps de cuisson. Cuire les aliments pendant la plus courte période indiquée et prolonger la cuisson au besoin. Des aliments trop cuits peuvent dégager de la fumée ou prendre feu.
- Recouvrir les aliments pendant la cuisson. Selon la recette, utiliser un essuie-tout, du papier ciré, un film plastique allant au micro-onde ou un couvercle. Couvrir les aliments empêche les éclaboussures et leur permet de cuire de manière uniforme.
- Protéger les parties de viande ou de volaille très minces par des petits écrans en papier d'aluminium

pour éviter qu'ils ne cuisent trop vite par rapport aux parties plus épaisses.

- Si possible, remuer les aliments de l'extérieur du plat vers le centre une ou deux fois pendant la cuisson.
- Retourner les aliments comme du poulet et des hamburgers une fois au cours de la cuisson afin d'accélérer le processus. Il faut retourner les grosses pièces comme les rôtis au moins une fois.
- Au milieu de la cuisson, déplacer les aliments comme les boulettes de viande du haut vers le bas et de droite à gauche.
- Ajouter du temps de repos. Retirer les aliments du four et, si possible, les remuer. Couvrir les aliments pendant ce temps pour leur permettre de se reposer. Vérifier que les aliments sont bien cuits. Rechercher les signes qui indiquent que les températures de cuisson ont été atteintes.
- Les signes d'une bonne cuisson sont les suivants :
  - La vapeur s'élève de toute la surface des aliments, pas seulement des bords.
  - Le fond du plat est très chaud au toucher.
  - Les cuisses de poulet se détachent facilement.
  - La viande et la volaille ne présentent plus de parties rosées.
  - Le poisson est opaque et se défait facilement à la fourchette.

### À PROPOS DE LA SÉCURITÉ

- Inspecter les aliments pour voir s'ils ont été cuits aux températures recommandées par le ministère de l'agriculture des États-Unis.

145 °F	-	Poisson
160 °F	-	Le porc, le bœuf haché / veau / agneau, plats d'œufs
165 °F)	-	Pour les restes de table, les aliments réfrigérés prêts-à-réchauffer, et les aliments frais d'un traiteur ou l'équivalent. Ensemble, et le sol des morceaux de dinde / poulet / canard.

Pour vérifier si les aliments sont cuits à point, insérer un thermomètre à viande dans un endroit épais, à l'écart de la graisse et des os. Ne JAMAIS laisser le thermomètre dans les aliments qui cuisent, sauf s'il est approuvé pour emploi aux micro-ondes.

- TOUJOURS utiliser des gants isolants pour éviter des brûlures lorsque l'on se sert d'ustensiles en contact avec des aliments chauds. Assez de chaleur des aliments peut être transféré aux ustensiles pour provoquer des brûlures de la peau.

- Diriger la vapeur loin du visage et des mains afin d'éviter des brûlures. Soulever doucement la partie la plus éloignée des couvercles et des pellicules et ouvrir lentement les sacs de maïs soufflé ou de cuisson en les tenant loin du visage.
- Rester près du four quand il fonctionne et vérifier fréquemment la cuisson afin d'éviter de trop cuire les aliments.
- **NE JAMAIS** utiliser le four à micro-ondes pour stocker les livres de cuisine ou d'autres éléments.
- Choisir, entreposer et manipuler la nourriture de manière à préserver sa qualité et de minimiser la pro-lifération de bactéries alimentaires.
- Garder propre le couvercle du guide d'ondes. Les résidus d'aliments peuvent causer des étincelles ou s'enflammer.

### À PROPOS DES ENFANTS ET DU MICRO-ONDE

Les enfants de moins de 7 ans ne devraient utiliser le microwave oven que sous la surveillance étroite d'un adulte. Entre 7 et 12 ans, l'adulte surveillant doit se trouver dans la même pièce qu'eux. L'enfant doit pouvoir accéder facilement au tiroir.

Jamais personne ne doit être autorisé à s'appuyer ou à s'asseoir sur le microwave oven.

Il faut enseigner les mesures de sécurité aux enfants : Employer des gants isolants, enlever les couvercles avec précaution, faire très attention aux contenants d'aliments croustillants parce qu'ils peuvent devenir très chauds.

Ne pas présumer qu'un enfant qui connaît bien une fonction de l'appareil peut cuire n'importe quoi.

Les enfants doivent apprendre que le microwave oven n'est pas un jouet. Voir à la page 28 la caractéristique du verrouillage des commandes.

### À PROPOS DES ALIMENTS

ALIMENTS	À FAIRE	À NE PAS FAIRE
Oeufs, saucisses, fruits et légumes	<ul style="list-style-type: none"> <li>• Percer les jaunes d'oeufs avant la cuisson pour empêcher une « explosion ».</li> <li>• Percer la peau des pommes de terre, des courges, des hot dogs et des saucisses pour que la vapeur s'échappe.</li> </ul>	<ul style="list-style-type: none"> <li>• Cuire les oeufs dans leur coquille.</li> <li>• Réchauffer des oeufs entiers.</li> <li>• Sécher des noix ou des graines dans leur coquille.</li> </ul>
Maïs soufflé	<ul style="list-style-type: none"> <li>• Utiliser du maïs soufflé en sac pour micro-onde.</li> <li>• Porter attention à l'éclatement du maïs pour que celui-ci ralentisse à 1 ou 2 secondes ou utiliser la touche <b>POPCORN</b>.</li> </ul>	<ul style="list-style-type: none"> <li>• Faire éclater du maïs soufflé dans des sacs en papier ordinaires ou des bols de verre.</li> <li>• Dépasser le temps maximal inscrit sur le paquet de maïs soufflé.</li> </ul>
Aliments pour bébé	<ul style="list-style-type: none"> <li>• Transférer les aliments pour bébé dans un plat plus petit et chauffer prudemment en remuant souvent. Vérifier la température avant de servir</li> <li>• Mettre les tétines sur les bouteilles après le réchauffage et bien agiter. Essayer sur le poignet avant de nourrir.</li> </ul>	<ul style="list-style-type: none"> <li>• Chauffer les bouteilles jetables.</li> <li>• Chauffer les bouteilles avec les tétines.</li> <li>• Chauffer les aliments pour bébé dans les pots d'origine</li> </ul>
Général	<ul style="list-style-type: none"> <li>• Couper les aliments avec garniture après chauffage pour relâcher la vapeur et éviter les brûlures.</li> <li>• Remuer vivement les liquides avant et après chauffage pour empêcher une « éruption ».</li> <li>• Se servir d'un bol profond pour cuire des liquides ou des céréales pour empêcher les débordements.</li> </ul>	<ul style="list-style-type: none"> <li>• Chauffer ou cuire dans des pots de verre fermés ou des contenants hermétiques.</li> <li>• Préparer des aliments en conserve dans le micro-onde car des bactéries dangereuses pourraient ne pas être détruites.</li> <li>• Faire frire de la graisse épaisse.</li> <li>• Sécher du bois, des gourdes, des herbes ou des papiers humides.</li> </ul>

## CE QUE VOUS DEVEZ SAVOIR

### USTENSILES ET COUVERCLES

Il n'est pas nécessaire d'acheter une nouvelle batterie de cuisine. Beaucoup de vos récipients peuvent très bien servir à la cuisson dans votre nouveau four micro-ondes à convection. Le tableau ci-dessous vous aidera à choisir les ustensiles et couvercles convenant le mieux à chaque mode de cuisson.

USTENSILES ET COUVERCLES	MICRO-ONDES SEULEMENT	GRILLADE PAR CONV., CUISSON LENTE	MODE COMBINÉ HAUTE TEMP./ RÔTIR MODE COMBINÉ BASSE TEMP./ CUISSON AU FOUR
Feuille d'aluminium	Oui. Des petites feuilles d'aluminium lisses peuvent être placées sur une préparation pour protéger ses surfaces contre une cuisson ou une décongélation trop rapide. Maintenir les feuilles à au moins un pouce d'écart des parois du four.	Oui. Comme protection.	Oui. Comme protection.
Récipients en aluminium	Oui. À condition de ne remplir qu'aux 3/4. Maintenir à un pouce d'écart des parois du four et ne pas recouvrir de feuille d'aluminium.	Oui. Griller sans couvercle.	Oui. À condition de ne remplir qu'aux 3/4. Maintenir à un pouce d'écart des parois du four et ne pas recouvrir de feuille d'aluminium.
Plat à gratin	Oui. Ne pas dépasser la durée de préchauffage recommandée. Suivre le mode d'emploi du fabricant.	NON	NON
Vitrocéramique (Pyroceram®)	Oui. Excellent.	Oui. Excellent.	Oui. Excellent.
Verre calorifuge	Oui. Excellent.	Oui. Excellent.	Oui. Excellent.
Verre non-calorifuge	NON	NON	NON
Couvercles en verre	OUI	OUI. Griller sans couvercle.	OUI
Couvercles en métal	NON	OUI. Griller sans couvercle.	NON
Casseroles en métal	NON	OUI	OUI. Ne pas employer de couvercles métalliques
Métaux assortis : plats à rebords métalliques, etc. Ligatures métalliques	NON	NON	NON
Poches de cuisson au four	Oui. Conviennent aux grosses pièces de viande ou aux préparations à attendrir. NE PAS utiliser de ligatures métalliques.	Oui. Grillades, non.	Oui. NE PAS utiliser de ligatures métalliques.
Assiettes en carton	Oui. Pour ré chauffer.	NON	NON
Serviettes en papier	Oui. Comme couvercles au réchauffage et à la cuisson. Ne pas employer de produits recyclés pouvant contenir des fibres métalliques.	NON	NON

## CE QUE VOUS DEVEZ SAVOIR

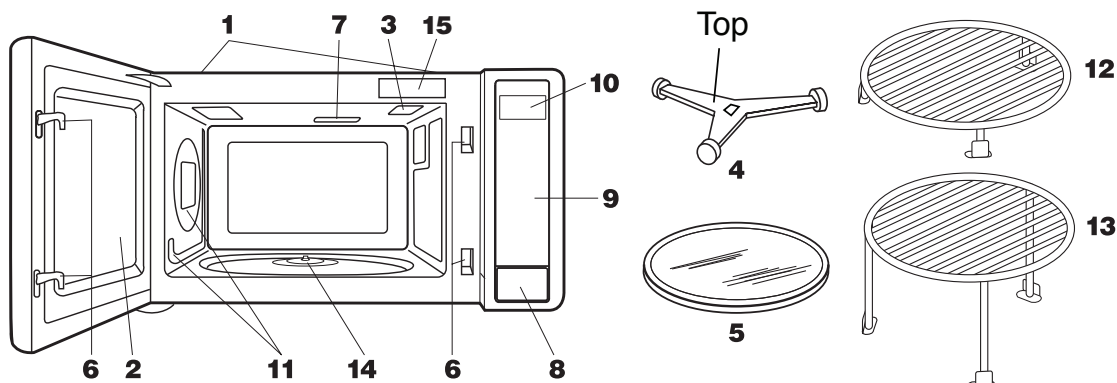
USTENSILES ET COUVERCLES	MICRO-ONDES SEULEMENT	GRILLADE PAR CONV., CUISSON LENTE	MODE COMBINÉ HAUTE TEMP./ RÔTIR MODE COMBINÉ BASSE TEMP./ CUISSON AU FOUR
Papier allant au four	OUI	Oui. Pour températures jusqu'à 400° F. Ne pas employer pour griller.	Oui. Pour températures jusqu'à 400° F.
Récipients en plastique bons pour micro-ondes	Oui. Comme couvercles au réchauffage et à la cuisson. Ne pas employer de produits recyclés pouvant contenir des fibres métalliques.	NON	NON
Plastique, Thermoset®	OUI	Oui. Résiste à la chaleur jusqu'à 425° F. Ne pas employer pour griller.	OUI
Film plastique	Oui. Choisir des marques spécialement indiquées pour micro-ondes. NE PAS placer le film en contact avec les aliments. Percer pour laisser s'échapper la vapeur.	NON	NON
Céramiques, grès, porcelaine	Oui. Voir les recommandations du fabricant pour usage micro-ondes.	OUI	Oui. Doivent être bons pour micro-ondes et cuisson au four.
Polystyrène	Oui. Pour réchauffer.	NON	NON
Papier ciré	Oui. Recommandé comme couvercle à la cuisson et au réchauffage.	NON	NON
Osier, bois, paille	Oui. Convient aux cuissons très courtes. Ne pas employer avec des plats reès gras ou très sucrés. Risque de se calciner.	NON	NON

**VÉRIFICATION DE RÉCIPIENTS** Pour vérifier qu'un récipient est bon pour micro-ondes, placez-le vide dans le four et réglez sur HIGH pendant 30 secondes. Si le plat chauffe à l'extrême, NE PAS l'utiliser pour la cuisson micro-ondes.

**ACCESSOIRES :** De nombreux accessoires micro-ondes sont proposés sur le marché. Considérez vos achats pour qu'ils correspondent à vos besoins. Un thermomètre adapté aux micro-ondes vous aidera à déterminer le degré voulu de cuisson aux micro-ondes seulement et garantira que les aliments ont été cuits aux températures de sécurité recommandées. Sharp n'est pas responsable de dommages causés au four par l'introduction d'accessoires.

# LES PARTIES DE LA MICRO-ONDE

## MICROWAVE OVEN



- 1 Orifices de ventilation (arrière)
- 2 Porte du four avec hublot
- 3 Éclairage de four : Il s'allume quand la porte est ouverte ou quand le four est en fonctionnement.
- 4 Support de plateau tournant
- 5 Plateau tournant amovible : Il tourne dans les deux sens alternativement.
- 6 Verrous de la porte : Le four ne peut pas fonctionner si la porte n'est pas parfaitement fermée.
- 7 Couverture du guide d'ondes : ne pas enlever.
- 8 Bouton d'ouverture de la porte
- 9 Tableau de commande à touches
- 10 Lampe du four
- 11 Ouvertures pour air de convection
- 12 Grille basse amovible (trépied de cuisson)
- 13 Grille haute amovible (trépied de grill)
- 14 Arbre d'entraînement du plateau tournant
- 15 Aide-Mémoire

## AIDE-MÉMOIRE

AUTO DEFROST	AUTO BROIL	AUTO ROAST	AUTO BAKE
1. Ground Meat	1. Hamburgers	1. Chicken	1. Bundt Cake
2. Steaks	2. Chicken Pieces	2. Turkey	2. Cookies
3. Chicken Pieces	3. Steaks	3. Turkey Breast	3. Muffins
	4. Fish Steaks	4. Pork	4. French Fries

## ACCESSOIRES

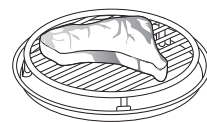
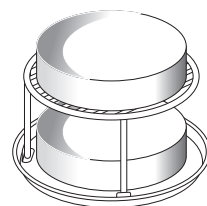
Les accessoires qui suivent sont conçus spécialement pour une utilisation dans le four uniquement en cuisson par convection, combinaison ou grill. **NE PAS LES UTILISER EN CUISSON MICRO-ONDES UNIQUEMENT.** Ne pas remplacer ces supports conçus spécialement par d'autres semblant similaires.

**Support de cuisson haut**, pour convection et mélange faible.

- Ce support est placé sur la plaque tournante pour des cuissons à deux niveaux, comme les gâteaux à étages, les muffins, etc.

**Trépied support de cuisson bas pour convection**, four et combinaison forte.

- Ce trépied est placé sur le plateau tournant et sert à rôtir ou cuire en laissant les jus s'écouler des aliments.

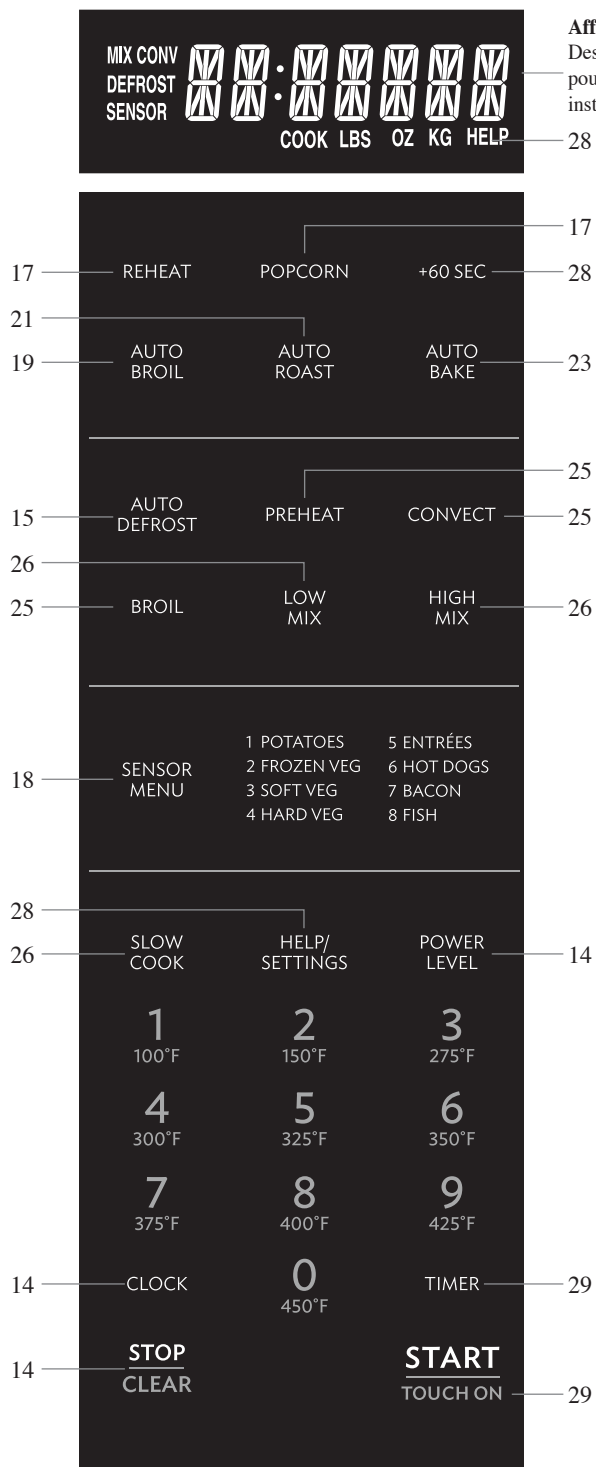


Pour le US: s'il vous plaît visitez [www.sharppusa.com](http://www.sharppusa.com) et recherchez le numéro de modèle pour télécharger le LIVRE DE RECETTES DE CUISINE POUR MICROONDES ET FOUR À CONVECTION de Sharp.

Pour le Canada: veuillez consulter notre page des produits concernés sur [www.sharppca.com](http://www.sharppca.com) pour télécharger le LIVRE DE RECETTES DE CUISINE POUR MICROONDES ET FOUR À CONVECTION de Sharp.

# LES PARTIES DE LA MICRO-ONDE

## FEUILLE DES TOUCHES



Les chiffres à côté de l'illustration des touches indiquent les pages où on retrouve la description des caractéristiques et les renseignements concernant l'utilisation.

## AVANT L'UTILISATION

Avant d'utiliser votre nouveau four à micro-ondes font-  
vous de lire et de comprendre ce manuel complètement.

- Avant que le four peut être utilisé, procédez comme suit:

1 Brancher la fiche du cordon d'alimentation.

**WELCOME** **PRESS** **CLEAR** **AND** **PRESS**

**CLOCK** s'affichera.

2 Appuyer sur la touche **STOP/CLEAR** pad. **:**

s'affichera.

3 Appuyer sur la touche **CLOCK**.

### POUR RÉGLER L'HORLOGE

1 Appuyer sur la touche **CLOCK**.

2 Entrer l'heure correcte de la journée en appuyant sur les touches numériques. Appuyer à nouveau sur la touche **CLOCK**.

Cette horloge a un cycle de 12 heures. En cas d'entrée d'une heure invalide, **ERROR** s'affichera. Appuyer sur la touche **STOP/CLEAR** et entrer à nouveau l'heure.

- If the electrical power supply to your microwave oven should be interrupted, the display will intermittently show **WELCOME** **PRESS** **CLEAR** **AND** **PRESS** **CLOCK** after the power is reinstated. If this occurs during cooking, the program will be erased. The time of day will also be erased. Simply touch **STOP/CLEAR** pad and reset the clock for the correct time of day.

### STOP/CLEAR (ARRÊT/REMISE À ZÉRO)

Appuyer sur la touche **STOP/CLEAR** pour:

- 1 Effacer une erreur durant la programmation.
- 2 Annuler la minuterie.
- 3 Arrêter le micro-onde tiroir temporairement durant la cuisson.
- 4 Afficher à nouveau l'heure.
- 5 Annuler un programme durant la cuisson, appuyer deux fois.

## FONCTIONNEMENT MANUEL

### TEMPS DE CUISSON

Votre four à micro-ondes peut être programmé for 99 minutes 99 seconds (99.99). pour 99 minutes 99 secondes (99.99). Toujours entrer les secondes après les minutes même si les deux sont égales à zéro.

- Par exemple, cuisiner pour 5 minutes à 100 %.

1 Entrer le temps de cuisson 5 0 0.

2 Appuyer sur la touche **START/TOUCH ON**.

### POUR RÉGLER LE NIVEAU DE PUISSANCE

Onze niveaux de puissance sont prévus.

Plus le niveau de puissance est faible, plus le temps de cuisson est long, ce qui est conseillé pour les aliments tels que le fromage, le lait ou les viandes qui exigent une cuisson lente. Consulter les recettes pour chaque cas particulier.

- Par exemple, décongeler pour 5 minutes à 30 %.

1 Entrer le temps de décongélation 500.

2 Appuyer sur la touche **POWER LEVEL** et entrer le chiffre 3.

3 Appuyer sur **START/INSTANT ON**.

Il est possible de programmer jusqu'à 4 séquences de cuisson automatique. Suivez les instructions de la page 29. Retenir que le niveau de puissance doit être entré en premier en programmant des séquences multiples.

TOUCHER UNE FOIS SUR LE LEVEL PUIS TOUCHER	POURCENTAGE APPROXIMATIF DE LA PUISSANCE	NOMS DONNÉS AUX NIVEAUX DE PUISSANCE
Power Level	100%	Fort
9	90%	
8	80%	
7	70%	À demi fort
6	60%	
5	50%	Moyen
4	40%	
3	30%	Moyen faible/ Décongélation
2	20%	
1	10%	Faible
0	0%	



### AUTO DEFROST (DÉCONGÉLATION)

Le mode « Auto Defrost » décongèle automatiquement les aliments montrés dans le tableau de décongélation.

- Par exemple, décongeler un 2,0 livre le bifteck :
- 1 Appuyer sur la touche **AUTO DEFROST**.
  - 2 Sélectionner le type d'aliment voulu en actionnant la même commande **AUTO DEFROST** jusqu'à ce que son nom apparaisse. Ici appuyer 2 fois pour arriver à "steak".
  - 3 Entrer le poids en composant 20 sur les touches numériques.
  - 4 Appuyer sur la touche **START/TOUCH ON**.
- Le four va s'arrêter et des instructions seront affichées. Suivre le message indiqué.
- 5 Après la première étape, ouvrir la porte. Retourner la tranche et protéger toutes les parties chaudes. Refermer la porte. Toucher la commande **START/TOUCH ON**.

- 6 Après la seconde étape, ouvrir la porte. Protéger toutes les parties chaudes. Refermer la porte. Toucher la commande **START/TOUCH ON**.

Après la fin du cycle de décongélation, couvrir et laisser reposer comme indiqué sur le tableau qui suit.

#### Remarque :

- Si on essaye d'entrer plus ou moins que la valeur permise indiquée au tableau, un message d'erreur s'affiche.
- La décongélation peut être programmée avec un réglage de durée en plus ou en moins. Voir en page 29.
- Pour décongeler d'autres aliments ou ces aliments à des poids inférieurs ou supérieurs à ceux indiqués au tableau de décongélation, voir que au dessous le Décongélation Manuelle.

### TABLEAU AUTO DEFROST (DÉCONGÉLATION)

ALIMENT	QUANTITÉ	MARCHE À SUIVRE
1 Viande hachée	0,5 à 3,0 livres	Enlevez les morceaux décongelés après chaque étape. Laissez reposer à couvert pour 5 à 10 minutes.
2 Bifteck (côtelettes) (poisson)	0,5 à 4,0 livres	Après chaque étape de cycle de décongélation, réarrangez et protégez avec des petits morceaux lisses de feuille d'aluminium. Enlevez toute viande ou poisson presque décongelé. Laissez reposer couvert pour 10 à 20 minutes.
3 Poulet découpé	0,5 à 3,0 livres	Après chaque étape de cycle de décongélation, réarrangez ou enlevez toutes pièces chaudes ou décongelées. Laissez reposer couvert pour 10 à 20 minutes.

### DÉCONGÉLATION MANUELLE

Si les aliments que vous voulez décongeler ne sont pas listés dans les tableaux de décongélation, ou sont au-dessus ou en-dessous des limites de leur colonne de quantité, vous devrez décongeler manuellement.

Vous pouvez décongeler n'importe quel aliment congelé, cru ou précuit, en utilisant la puissance au niveau 3. Suivre exactement la procédure en 3 étapes donnée avec le Temps de cuisson. Estimer le temps de décongélation et appuyer sur 3 pour la sélection du niveau de puissance. Pour les aliments crus ou cuits, compter en moyenne 5

minutes par livre. Par exemple, choisir 5 minutes pour décongeler une livre de sauce à spaghetti.

Arrêter le four périodiquement pour retirer ou séparer les portions déjà décongelées. Si les aliments ne sont pas entièrement décongelés à l'expiration du temps précisé, utiliser le niveau de puissance 3 pendant des périodes de une minute pour obtenir la décongélation complète.

Si les aliments congelés sont dans un récipient en matière plastique, ne les décongeler que pendant le temps nécessaire pour les retirer du récipient, puis les déposer dans un plat convenant aux micro-ondes.

## MICRO-ONDES PARTICULARITÉS

### RÉGLAGES DES CAPTEURS

Le capteur est un dispositif à semi-conducteur qui décèle la vapeur (humidité) émise par les aliments lorsqu'ils sont chauffés. Le capteur permet de régler les durées de cuisson et les niveaux de puissance selon les divers aliments et leur quantité.

#### UTILISATION DES RÉGLAGES DU CAPTEUR :

- 1 Après que le four ait été branché, attendre 2 minutes avant d'utiliser les paramètres du capteur.
- 2 S'assurer que l'extérieur du récipient de cuisson et l'intérieur du four sont bien secs. Essuyer toute trace d'humidité avec un linge sec ou du papier essuie-tout.
- 3 Réchauffer et Popcorn sont les seules commandes possibles dans la minute après cuisson, ouverture et fermeture de porte, ou action sur la commande **STOP/CLEAR**.
- 4 Durant la première partie de la cuisson au capteur, le nom de l'aliment apparaîtra à l'affichage. Ne pas ouvrir la porte et ne pas toucher **STOP/CLEAR** durant cette partie du cycle de cuisson. La mesure du taux de vapeur en serait interrompue. Si cela arrivait, un message d'erreur s'afficherait. Pour poursuivre la cuisson, actionner la commande **STOP/CLEAR** et sélectionner le temps de cuisson et la variable de puissance.  
Quand le capteur calibre la vapeur émise par l'aliment, la durée restante pour la cuisson de l'aliment apparaît. La porte peut être ouverte durant ce laps de temps, on peut alors remuer ou assaisonner les aliments au besoin.
- 5 Vérifier la température des aliments en fin de cuisson. Si du temps additionnel est nécessaire continuez la cuisson avec puissance et durée variables.
- 6 Si le capteur ne repère pas correctement la formation de vapeur pendant la cuisson du maïs, le four est arrêté, et l'heure exacte du moment est affichée. Si le capteur ne repère pas correctement la formation de vapeur en utilisant le réchauffage du capteur, **ERROR** sera affiché, et le four s'arrêtera.
- 7 Tout mode de cuisson au capteur peut être programmé avec des ajustements de temps en plus ou en moins. Voir en page 29.

- 8 Chaque aliment a un soupçon de cuisson. Touchez **HELP/SETTINGS** lorsque l'indicateur **HELP** est allumé sur l'afficheur.

#### SÉLECTION D'ALIMENTS :

- 1 Le capteur fonctionne avec les aliments à température normale de conservation. Par exemple, les plats à réchauffer seront à la température du réfrigérateur, et les pommes de terre à rôtir seraient à température ambiante.
- 2 Les aliments pesant moins de 3 onces (90 g environ) doivent être réchauffés avec durée et puissance variables.

#### COVERING ALIMENTS :

Certains aliments cuisent mieux lorsqu'ils sont couverts. Se servir du couvercle recommandés dans les tableaux pour ces aliments.

- 1 Couvercle.
- 2 Film plastique : Utiliser un film plastique recommandé pour la cuisson aux micro-ondes. Couvrir le plat sans serrer et en conservant une ouverture de 1,25 cm (1/2 po) de manière à ce que la vapeur puisse s'échapper. Le film plastique ne doit pas entrer en contact avec les aliments.
- 3 Papier ciré : Couvrir entièrement le plat et replier le papier sous le plat de manière à ce qu'il soit maintenu. Si le plat est plus large que le papier, utiliser deux morceaux de papier se chevauchant d'au moins 2,5 cm (1 po).

Faire attention en retirant l'élément couvrant les aliments de laisser la vapeur s'échapper loin de vous.

### REHEAT (RÉCHAUFFAGE)

On peut réchauffer beaucoup d'aliments en ne touchant qu'une commande. Il n'est pas nécessaire de calculer la durée de réchauffage ni sa puissance.

- Par exemple, chauffer du chili prêt :

Toucher la commande **REHEAT**.

Lorsque le capteur perçoit les vapeurs émises par l'aliment, le temps de cuisson restant s'affiche.

### POPCORN (MAÏS SOUFLÉ)

- Par exemple, pour faire éclater un sac de 3,5 onces (100 g) de popcorn régulier :

Appuyer une fois sur la commande **POPCORN**.

Ce réglage de capteur convient à la plupart des marques de popcorn à cuire aux micro-ondes. Faites quelques essais pour choisir votre marque préférée. Préparez un seul sac à la fois. Dépliez le sac et préparez selon le mode d'emploi fourni.

### TABLEAU DE REHEAT / POPCORN

ALIMENT	QUANTITÉ	MARCHE À SUIVRE
Reheat (Réchauffage)		
Pommes de terre, légumes, plats préparés ou autres	4 à 36 onces	Placez dans un récipient ou cocotte légèrement plus grand que la quantité à réchauffer. Aplatissez le contenu si possible. Couvrez d'un couvercle, film plastique ou papier ciré. Couvrez de film plastique ou couvercle pour les quantités importantes ou les aliments à consistance épaisse tels que les ragoûts.
Soupes	1 à 4 tasses	Remuez si possible le plat réchauffé, qui doit être très chaud. Sinon, continuez à réchauffer à puissance et durée variables. Une fois remué, couvrez le plat et laissez reposer 2 ou 3 minutes.
Plats principaux et légumes en conserves	4 à 36 onces	Ajustez pour moins de temps en touchant <b>POWER LEVEL</b> deux fois pour de petites quantités de légumes en conserves.
Popcorn (Maïs soufflé)		
	Un seul sac à la fois	N'utilisez que du popcorn conditionné pour cuisson micro-ondes. Faites quelques essais pour choisir votre marque préférée. N'essayez pas de faire éclater les grains restés entiers. Ajustez par plus ou moins de temps si nécessaire, pour accommoder les grains plus mûrs ou les préférences de chacun.
	Sac de 3,0-3,5 onces (taille courante)	Appuyez une fois sur la commande <b>POPCORN</b> . Ce réglage fonctionne bien pour les sacs de cette taille.
	Sac de 1,5-1,75 onces (format snack)	Appuyez deux fois sur la commande <b>POPCORN</b> dans les 2 secondes pour les sacs de taille snack.

## MICRO-ONDES PARTICULARITÉS

### SENSOR MENU (MENU DU CAPTEUR)

- Par exemple, pour faire une pomme de terre au four :

- 1 Appuyer sur la touche **SENSOR MENU**.
- 2 Sélectionnez le paramétrage voulu du capteur. Par exemple actionnez 1 cour cuire des pommes de terre au four.

- 3 Appuyer sur la touche **START/TOUCH ON**.

Quand le capteur détecte la vapeur émise par l'aliment à cuire, la durée restante de cuisson apparaît.

### TABLEAU SENSOR MENU

ALIMENT	QUANTITÉ	MARCHE À SUIVRE
<b>1</b> POTATOES (Pommes de terre rôties)	1 à 8 moyennes	Percez. Placez sur le plateau tournant recouvert de serviette en papier. Après la cuisson, retirez du four, enveloppez de feuille d'aluminium et laissez reposer 5 à 10 minutes.
<b>2</b> Frozen veg (Légumes surgelés)	1 à 8 tasses	Mettez sous couvercle ou film plastique. Après la cuisson, remuez et laissez reposer recouvert pendant 3 minutes.
<b>3</b> SOFT VEG (Légumes frais, tendres)		Lavez et placez dans un récipient. Ne pas ajouter d'eau si les légumes viennent d'être lavés. Posez un couvercle pour des légumes tendres, ou du film plastique pour une cuisson plus croquante. Remuez si possible avant de laisser reposer. Après la cuisson, laissez reposer recouvert de 2 à 5 minutes.
Brocoli	0,25 à 2,0 livres	
Choux de Bruxelles	0,25 à 2,0 livres	
Chou	0,25 à 2,0 livres	
Chou-fleur (en bouquets)	0,25 à 2,0 livres	
Chou-fleur (entier)	1 moyen	
Épinards	0,25 à 1,0 livres	
Zucchini	0,25 à 2,0 livres	
Pommes cuites	2 à 4 moyen	
<b>4</b> HARD VEG (Légumes frais, croquants)		Placez dans une casserole. Ajoutez 1 à 4 cuillères à soupe d'eau. Posez un couvercle sur les légumes à cuisson tendre, ou du film plastique pour une cuisson plus croquante. Remuez si possible avant de laisser reposer. Après cuisson, laissez reposer recouvert de 2 à 5 minutes.
Carottes en tranches	0,25 à 1,5 livres	
Maïs en épi	2 à 4 pièces	
Haricots verts	0,25 à 1,5 livres	
Courges, en dés	0,25 à 1,5 livres	
Coupées en moitié	1 à 2	
<b>5</b> ENTRÉES (Plats principaux surgelés)	6 à 17 onces	Utilisez pour les légumes surgelés prêts à servir. Les résultats seront bons dans la plupart des cas. Faites quelques essais pour trouver votre marque préférée. Défaites l'emballage extérieur et suivez les indications concernant les couvercles. Après la cuisson, laissez reposer recouvert de 1 à 3 minutes.
<b>6</b> HOT DOGS	1 à 4 portions	Placez la saucisse dans son petit pain et enveloppez d'une serviette en papier.
<b>7</b> BACON	2 à 6 tranches	Placez le bacon sur une assiette en carton recouverte d'une serviette en papier. Le bacon ne doit pas dépasser hors de l'assiette. Couvrez d'une serviette en papier.
<b>8</b> FISH (Poisson, fruits de mer)	0,25 à 2,0 livres	Disposez en rond sur un plat en verre peu profond (enroulez les filets afin qu'ils reposent sur leurs bords repliés). Recouvrez de film plastique. Après la cuisson, laissez reposer recouverts pendant 3 minutes.

## CONVECTION FONCTIONNEMENT AUTOMATIQUE

Cette section du manuel d'opérations explique la préparation de 12 plats populaires utilisant les fonctions de grillade Auto Broil, Auto Roast et Auto Bake.

Après avoir sélectionné la fonction voulue, suivez les indications de l'affichage.

Pour des conseils pratiques, touchez simplement **HELP SETTINGS** lorsque le message d'aide HELP s'allume en affichage.

**ATTENTION** L'enceinte, la chambre, la porte le plateau tournant, les supports et les plats du four à micro-ondes deviennent chauds. Pour ÉVITER LES BRÛLURES, utilisez des gants épais pour four en enlevant les aliments ou le plateau tournant du four.

### AUTO BROIL

Auto Broil fait griller automatiquement les hamburgers, le poulet en morceaux, les biftecks et les tranches de poisson.

- Par exemple, griller 2 hamburgers :

- 1 Actionnez la commande **AUTO BROIL**.
- 2 Sélectionnez le réglage voulu. Par exemple pour des hamburgers entrez 1.

- 3 Entrez la quantité au clavier numérique, par exemple 2. Suivez les informations affichées pour la cuisson.

Pour avoir des hamburgers bien cuits ou saignants, actionnez la commande **POWER LEVEL** pour choisir respectivement More ou Less. Voir les réglages de plus ou moins de durée en page 29.

- 4 Appuyer sur la touche **START/TOUCH ON**.

Après la fin du cycle de préchauffage de gril, le four s'arrête et des instructions sont affichées, suivez ce que dit le message. Ouvrez la porte et placez les hamburgers dans le four, refermez la porte.

- 5 Appuyer sur la touche **START/TOUCH ON**.

#### Remarque :

- Auto Broil peut se programmer avec un ajustement de plus ou moins de temps. Voir la page 29.
- Si on essaye d'entrer plus ou moins que la valeur permise indiquée à u tableau, un message d'erreur s'affiche.
- Pour griller d'autres aliments ou aliments ci-dessus ou en dessous du poids ou le nombre autorisé sur Auto Broil graphique, suivez les instructions dans le tableau Convection grilloir à la page 20.

### TABLEAU AUTO BROIL

RÉGLAGE/ALIMENT	QUANTITÉ	GRILLE	MARCHE À SUIVRE
1 Hamburgers	1 à 8 pesant 1/4 de livre chacun	Inférieure	Choisissez ce réglage pour faire griller des hamburgers. Posez sur la grille inférieure.
2 Chicken pieces (Morceaux de poulet)	0,5 à 3,5 livres	Inférieure	Disposez les morceaux sur la grille inférieure. Après cuisson, laissez reposer 3-5 minutes. La température doit être de 180° F sauf pour les blancs qui doivent être à 170° F.
3 Steaks (Biftecks)	0,5 à 2,0 livres	Inférieure	Choisissez ce réglage pour faire griller des biftecks de 3/4 à 1 po d'épaisseur. Les biftecks individuels désossés cuisent uniformément. Posez les biftecks sur la grille inférieure. Touche <b>POWER LEVEL</b> une fois une cuisson à point et deux fois pour des biftecks saignants.
4 Fish steaks (Tranches de poisson)	0,5 à 2,0 livres	Inférieure	Choisissez ce réglage pour faire griller une tranche de poisson de 3/4 à 1 po d'épaisseur. Posez sur la grille inférieure.

# CONVECTION FONCTIONNEMENT AUTOMATIQUE

## GUIDE DE GRILLAGE À CONVECTION

COUPE		POIDS/ÉPAISSEUR	TEMPS DE CONVECTION	
<b>Bœuf</b>				
Côtes		3/4-1 po. 7-8 onces chacun	Saignant	10-13 min.
			À point	14-16 min.
			Bien cuit	17-20 min.
Steaks: Surlonge, Châteaubriand, Aloyou		1-11/2 po.	Saignant	10-13 min.
			À point	14-18 min.
			Bien cuit	19-25 min.
Steak de paleron		1 po.	Saignant	12-14 min.
			À point	15-18 min.
			Bien cuit	19-23 min.
London Broil		1-11/4 po. 2 1/2 -3 livres	Saignant	23-25 min.
			À point	26-30 min.
Bœuf haché		1/4 lb. chacun	À point	13-15 min.
			Bien cuit	18-20 min.
<b>Porc</b>				
Côtelettes: Centre ou longe		3/4-1 po.	Bien cuit	16-20 min.
Bacon	Tranches régulières			4-5 min.
	Tranches épaisses			7-8 min.
Saucisses :	À rissoler	En pâtés: 1/2 po., 8 onces.-1 livre		8-10 min.
	Frais	En saucissons: 8 onces-1 livre		8-10 min.
Tranches de jambon cuit		3/4 po.		10-12 min.
Saucisses de Francfort		1 livre		5-7 min.
<b>Agneau</b>				
Côtelettes: Côtes, longe ou centre		3/4 po. 3-4 onces chacun	À point	12-14 min.
			Bien cuit	15-17 min.
<b>Poulet</b>				
À rôtir, coupé en demies, en quartiers ou en morceaux		1-3 livres		25-35 min.
<b>Poisson</b>				
Filets		1/4-3/4 po.		6-7 min.
Darnes		3/4-1 po.		12-14 min.

## CONVECTION FONCTIONNEMENT AUTOMATIQUE

### AUTO ROAST

Auto Roast fait automatiquement rôtir le poulet, la dinde, le blanc de dinde ou le porc.

- Par exemple, rôtir un 2,5 livre le poulet :

- 1 Appuyer sur la touche **AUTO ROAST**.
- 2 Sélectionner le réglage voulu. Par exemple pour le poulet entrez 1.
- 3 Entrer le poids aux touches numériques, par exemple 25 livres.
- 4 Appuyer sur la touche **START/TOUCH ON**.

Après la fin du cycle de rôtissage à convection, une tonalité longue retentit. Suivre les consignes du message affiché.

### Remarque :

- Auto Roast peut se programmer avec un ajustement de plus ou moins de temps. Voir la page 29.
- Si on essaye d'entrer plus ou moins que la valeur permise indiquée au tableau, un message d'erreur s'affiche.
- Pour rôtir d'autres aliments au-dessus ou en dessous des poids autorisés sur Guide de grillage à convection, cochez la Guide de rôtissage combiné à la page 22.

### TABLEAU AUTO ROAST

RÉGLAGE/ALIMENT	QUANTITÉ	GRILLE	MARCHE À SUIVRE
1 Chicken (Poulet)	2,5 à 7,5 livres	Inférieure	À la fin du cycle, couvrir d'une feuille d'aluminium et laissez reposer 5 à 10 minutes.
2 Turkey (Dinde)	6,5 à 16,0 livres	Inférieure	Assaisonner au goût. Placer sur la grille inférieure. À la fin du cycle, couvrir d'une feuille d'aluminium et laissez reposer pendant 10 minutes. La température interne des blancs de dinde doit être de 170° F et de 180° F pour les autres pièces.
3 Turkey breast (Blanc de dinde)	3,0 à 6,0 livres	Inférieure	Assaisonner au goût. Placer sur la grille inférieure. À la fin du cycle, couvrir d'une feuille d'aluminium et laissez reposer pendant 10 minutes. La température interne des blancs de dinde doit être de 170° F.
4 Pork (Porc)	2,0 à 3,5 livres	Inférieure	Le filet de porc désossé est recommandé pour sa cuisson uniforme. Placez sur la grille inférieure. Après la cuisson, retirez du four, couvrez d'une feuille d'aluminium et laissez reposer 5 à 10 minutes. La température interne doit être de 160° F.

## CONVECTION FONCTIONNEMENT AUTOMATIQUE

### GUIDE DE RÔTISSAGE COMBINÉ

COUPE		TEMPS
<b>Bœuf</b>		
Rôtis (de premier choix)	Saignant	12-14 min. par livre à HIGH MIX, 325°F
	À point	13-15 min. par livre à HIGH MIX, 325°F
	Bien cuit	14-17 min. par livre à HIGH MIX, 325°F
Rôtis (morceaux moins tendres)	Saignant	12-15 min. par livre à HIGH MIX, 325°F
	À point	13-17 min. par livre à HIGH MIX, 325°F
	Bien cuit	14-18 min. par livre à HIGH MIX, 325°F
<b>Veau</b>		
Rôtis (désossés, roulés et ficelés)	Bien cuit	14-16 min. par livre à HIGH MIX, 325°F
Poitrine (Farcie)	Bien cuit	11-13 min. par livre à HIGH MIX, 325°F
<b>Porc</b>		
Rôtis (désossés, roulés, ficelés ou avec l'os)	Bien cuit	14-16 min. par livre à HIGH MIX, 325°F
Jambon fumé		11-13 min. par livre à HIGH MIX, 325°F
<b>Agneau</b>		
Gigot, rôtis	Saignant	10-12 min. par livre à HIGH MIX, 325°F
	À point	12-14 min. par livre à HIGH MIX, 325°F
	Bien cuit	14-16 min. par livre à HIGH MIX, 325°F
<b>Volaille</b>		
Poulet entier		9-13 min. par livre à HIGH MIX, 325°F
Poulet en morceaux		10-14 min. par livre à HIGH MIX, 375°F
Dinde (non farcie)		7-10 min. par livre à HIGH MIX, 325°F
Poitrine de dinde		13-16 min. par livre à HIGH MIX, 325°F



# CONVECTION FONCTIONNEMENT AUTOMATIQUE

## AUTO BAKE

Auto Bake fait automatiquement cuire au four les gâteaux, les carrés au chocolat, muffins, et frites.

Par exemple, cuire un gâteau de bundt :

- 1 Appuyer sur la touche **AUTO BAKE**.
- 2 Sélectionner le réglage voulu. Pour ce type de gâteau entrer 1.
- 3 Appuyer sur la touche **START/TOUCH ON**.

### Remarque :

- Auto Bake peut se programmer avec un ajustement de plus ou moins de temps. Voir la page 29.
- Pour cuire d'autres aliments, consultez la guide de cuisson combinée à la page 24.

## TABLEAU AUTO BAKE

RÉGLAGE/ALIMENT	QUANTITÉ	GRILLE	MARCHE À SUIVRE
1 Bundt cake (Gâteau Bundt)	1 gâteau	Pas de support	Idéal pour préparation à gâteau toute prête ou votre propre recette. Suivre les recommandations ou la recette et placer l'appareil dans un moule à bundt beurré et fariné, enfourner. Laisser refroidir avant de décorer et servir
2 Cookies (Biscuits)	1 ou 2 moules à pizza	1 moule sans support 2 moules avec support haut	Idéal pour de la pâte à biscuit réfrigérée. Suivre les recommandations ou la recette et répartir la pâte dans un moule à pizza beurré et fariné. Les biscuits doivent faire environ 8 mm d'épaisseur et 5 cm de diamètre pour les meilleurs résultats. Enfourner à la fin du préchauffage. Laisser refroidir avant de servir.
3 Muffins	6 - 12 coupes, 1 ou 2 moules à muffins	1 moule et pas de support 2 moules et trépied haut	Idéal pour préparation à muffins toute prête ou votre propre recette pour 6-12 muffins moyens. Suivre les recommandations ou la recette et placer l'appareil dans un moule à muffins. Enfourner à la fin du préchauffage.
4 French fries (Frites)	3 - 34 onces, 1 ou 2 moules à pizza Utiliser 2 moules si > 12 onces	1 moule et pas de support 2 moules et trépied haut	Utiliser des frites surgelées placées dans le moule à pizza. Il n'y a pas besoin de préchauffage pour les cuire. Pour des pommes allumettes actionner 2 fois <b>POWER LEVEL</b> pour entrer une durée de cuisson inférieure avant d'actionner la commande <b>START/TOUCH ON</b> .

# CONVECTION FONCTIONNEMENT AUTOMATIQUE

## GUIDE DE CUISSON COMBINÉE

PAIN ET PÂTISSERIES	MARCHE À SUIVRE
<b>Gateaux: Votre recette ou un mélange</b>	
Gâteaux tubulaires, sauf le gâteau des anges	À LOW MIX, 350°F, pendant les trois quarts du temps de cuisson recommandé*.
Gâteau des anges	À LOW MIX, 350°F, pendant 25 à 30 minutes.
Pains ou gâteaux éclair	À LOW MIX, 350°F, pendant les trois quarts du temps de cuisson recommandé.
<b>Carrés: Votre recette ou un mélange</b>	À LOW MIX, 350°F, pendant les trois quarts du temps de cuisson recommandé. Faire le test du cure-dents.
<b>Tartes</b>	
Croûte simple cuite: Votre recette, un mélange ou une croûte surgelée	Piquer la croûte avec une fourchette. Réchauffer le four à 425°F. Faire cuire sur le trépied de cuisson au gril de 8 à 10 minutes ou jusqu'à ce que la croûte soit dorée. Laisser refroidir avant de garnir.
Croûte double	Réchauffer le four à 400°F et faire cuire sur le trépied de cuisson au gril de 25 à 30 minutes à HIGH MIX, 400°F.
Recouverte de chapelure	Réchauffer le four à 400°F et faire cuire sur le trépied de cuisson au gril de 20 à 25 minutes à HIGH MIX, 400°F.
Tarte à la crème	Faire cuire la croûte en suivant les directives de cuisson des croûtes simples. Laisser refroidir et garnir de crème non cuite. Faire cuire à LOW MIX, 325°F, sur le trépied de cuisson au gril pendant 35 minutes. Si la crème n'est pas ferme, laisser reposer dans le four pendant quelques minutes.
Tarte aux pacanes	Faire cuire sur le trépied de cuisson au gril à LOW MIX, 350°F, de 25 à 30 minutes.
Tartes aux fruits préparées surgelées	Placer sur une tôle à pizza sur le trépied de cuisson au gril et cuire à HIGH MIX, 375°F, de 35 à 40 minutes.
Tartes à la crème préparées surgelées	Préchauffez le four à la température indiquée sur la boîte. Placez la tarte sur le trépied de cuisson au gril et faites cuire à LOW MIX pendant les trois quarts de la durée de cuisson et à la température indiquées sur la boîte. Si la crème n'est pas prise, laissez reposer au four pendant quelques minutes.
<b>Pains</b>	
Pain ordinaire: Votre recette ou de la pâte décongelée et levée	À LOW MIX, 350°F. Un ou deux pains: de 25 à 30 minutes.
Pain tressé et autres formes	Retirer la plateau tournant du four. Mettre le pain sur la le plateau froid. Remettre le plateau tournant dans le four. Faire cuire à LOW MIX, 350°F, pendant les trois quarts du temps de cuisson recommandé.

\* S'il y a des étincelles lorsque vous utilisez un moule tubulaire cannelé, déposer un plat à l'épreuve de la chaleur (une assiette à tarte en Pyrex, un moule à pizza en verre ou une assiette ordinaire) entre le moule et le plateau tournant.

# CUISSON PAR CONVECTION/COMBINAISON AUTOMATIQUE

Le four ne doit pas être utilisé sans que le plateau tournant soit installé et la rotation ne doit jamais être entravée. Le plateau tournant peut être retiré pour préchauffer le four et pour préparer des aliments à cuire directement sur le plateau.


**ATTENTION** L'enceinte, la chambre, la porte le plateau tournant, les supports et les plats du four à micro-ondes deviennent chauds. Pour **ÉVITER LES BRÛLURES**, utilisez des gants épais pour four en enlevant les aliments ou le plateau tournant du four.

## CUISSON PAR CONVECTION

Le chauffage par convection fait circuler l'air chaud dans tout l'espace du four pour que les aliments deviennent rapidement dorés et croustillants de part en part. Ce four peut se programmer à dix températures différentes de cuisson par convection pour un maximum de 99 minutes, 99 secondes.

### CUIRE PAR CONVECTION

- Par exemple, cuisson de 20 minutes à 350° F :


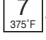
- 1 Touche **CONVECT**.
- 2 Sélectionner la température en actionnant la touche numérique .
- 3 Entrer la durée de cuisson en sélectionnant 2000 aux touches numériques.
- 4 Touche **START/TOUCH ON**.

**Remarque :** Si l'on souhaite connaître la température de four programmée, il suffit de toucher la commande Convection. La température s'affiche temps que le doigt reste sur cette touche.

### PRÉCHAUFFAGE ET CUISSON PAR CONVECTION

Le four peut se programmer pour combiner les fonctions de préchauffage et de cuisson par convection. La convection peut être réglée à la même température que le préchauffage ou à une température plus ou moins élevée.

- Par exemple, préchauffage à 350° F suivi d'une cuisson de 25 minutes à 375° F par convection :

- 1 Touche **PREHEAT**.
- 2 Sélectionner la température en actionnant la touche numérique .
- 3 Touche **CONVECT**.
- 4 Sélectionner la température en actionnant la touche numérique .
- 5 Entrer la durée de cuisson en sélectionnant 2500 aux touches numériques.
- 6 Touche **START/TOUCH ON**.

Quand le four atteint la température programmée, un signal sonore retentit 4 fois\*. Le four s'arrête et des instructions à suivre sont affichées.

- 7 Ouvrir la porte, enfourner les aliments, refermer la porte. Actionner **START/TOUCH ON**.

- \* Si la porte du four n'est pas ouverte, le four va automatiquement garder cette température de préchauffage pendant 30 minutes. Après ce délai de maintien un signal sonore est émis et le four s'éteint.

#### Remarque :

- Pour programmer un préchauffage seul, actionner la commande **START/TOUCH ON** après l'étape 2. Le préchauffage démarre, et quand le four atteint cette température programmée suivre le message indiqué.
- Pour préchauffer et cuire à la même température, entrer la même température aux étapes 2 et 4.

## BROIL (GRIL)

Le préchauffage est automatique quand le mode Broil est sélectionné. Seul le temps réel de cuisson est entré, le four signale quand il a atteint le préchauffage à 450° F. La température du four ne peut pas être modifiée. Utiliser ce mode de cuisson pour les tranches, côtelettes, morceaux de poulet et beaucoup d'autres pièces. Se reporter au tableau de cuisson au gril à convection dans le livre de cuisine.

- Par exemple, griller une tranche de viande 15 minutes.

- 1 Touche **BROIL**.
- 2 Entrer la durée de cuisson en sélectionnant 1500 aux touches numériques.
- 3 Actionner la commande **START/TOUCH ON** sans aliments dans le four.

Quand le four atteint la température programmée, un signal sonore retentit 4 fois\*.

- 4 Ouvrir la porte du four, enfourner les aliments et refermer la porte. Actionner la commande **START/TOUCH ON**.

- \* Si la porte du four n'est pas ouverte, le four va automatiquement garder cette température de préchauffage pendant 30 minutes. Après ce délai de maintien un signal sonore est émis et le four s'éteint.

#### Remarque :

- Le préchauffage de gril prend de 7 à 10 minutes, en fonction de la température de la pièce et de la puissance disponible.
- Bien que la durée soit en général fixée pour le temps maximum de grillage, vérifier toujours les aliments au bout du temps minimum recommandé dans le tableau du livre de cuisine. Cela éliminera le besoin

## CUISSON PAR CONVECTION/COMBINAISON AUTOMATIQUE

de reprogrammer complètement le four si du temps additionnel était nécessaire. Refermer simplement la porte du four et réactiver **START/TOUCH ON** pour reprendre jusqu'à la fin du temps maximum.

- Si plus de temps de gril est nécessaire, reprogrammer dans la minute qui suit la fin pour éliminer le préchauffage.

**ATTENTION** L'enceinte, la chambre, la porte le plateau tournant, les supports et les plats du four à micro-ondes deviennent chauds. Pour ÉVITER LES BRÛLURES, utilisez des gants épais pour four en enlevant les aliments ou le plateau tournant du four.

### SLOW COOK (CUISSON LENTE)

Le mode Slow Cook est préréglé à 300° F pendant 4 heures. La température peut être modifiée pour être inférieure. La durée de cuisson ne peut pas être changée. Ce mode est utilisé pour des aliments comme haricots au four ou tranche de viande ferme marinée.

- Par exemple, abaissement de la température de 300° F à 275° F :

- 1 Actionner la commande **SLOW COOK**.
- 2 Actionner de nouveau **SLOW COOK** si la température de consigne 300° F doit être changée.
- 3 Actionner la touche de température 3  
275°F.
- 4 Actionner la commande **START/TOUCH ON**.

**Remarque** : Si la température ne doit pas être changée, omettre les étapes 2 et 3.

### CUISSON AVEC COMBINAISON AUTOMATIQUE

Ce four a deux réglages préprogrammés qui permettent une cuisson facile avec à la fois automatiquement la chaleur en convection et les micro-ondes.

	TEMPÉRATURE DE FOUR	PUISSANCE MICRO-ONDES
High Mix	300° F	30%
Low Mix	350° F	10%

À l'exception des aliments qui se cuisent mieux avec simplement la chaleur par convection, la plupart des aliments bénéficient d'une cuisson hybride à Low Mix ou High Mix.

Le mariage de ces deux méthodes de cuisson donne des viandes juteuses, non desséchées et tendres, et des pains à texture fine, avec juste la bonne dose de doré et de croustillant.

Les températures peuvent être modifiées, mais pas la puissance des micro-ondes.

La température du four peut être fixée de 100-450° F. Il faut pour cela actionner un mode de combinaison **HIGH MIX** ou **LOW MIX**, puis actionner de nouveau cette même commande. Quand l'affichage montre SELECT TEMP, toucher niveau de température voulue. Par exemple la séquence d'actions peut être pour une température de 375° F : Pour cuire avec combinaison automatique

- Par exemple, cuisson au four de 25 minutes en combinaison faible :

- 1 Actionner la commande **LOW MIX**.
- 2 Entrer la durée de cuisson en sélectionnant 2500 aux touches numériques.
- 3 Actionner la commande **START/TOUCH ON**.

### POUR PRÉCHAUFFER ET CUIRE AVEC COMBINAISON AUTOMATIQUE

Votre four peut être programmé pour combiner les opérations successives de préchauffage et de cuisson à combinaison automatique. On peut préchauffer à la même température que la valeur prédéterminée pour la combinaison ou fixer la valeur de préchauffage.

- Par exemple, préchauffage à 350° F et cuisson de 25 minutes à 325° F en combinaison Low Mix/Bake :

- 1 Actionner la commande **PREHEAT**.
- 2 Actionner la commande de température 6  
350°F.
- 3 Actionner la commande **LOW MIX**.
- 4 Actionner de nouveau **LOW MIX** pour modifier la température de cuisson.
- 5 Actionner la commande de température 5  
325°F.
- 6 Entrer la durée de cuisson en sélectionnant 2500 aux touches numériques.
- 7 Actionner la commande **START/TOUCH ON**.

Quand le four atteint la température programmée, un signal sonore retentit 4 fois\*. Le four s'arrête et des instructions à suivre sont affichées.

- 8 Ouvrir la porte, enfourner les aliments, refermer la porte. Actionner **START/TOUCH ON**.

- \* Si la porte du four n'est pas ouverte, le four va automatiquement garder cette température de préchauffage pendant 30 minutes. Après ce délai de maintien un signal sonore est émis et le four s'éteint.

**Remarque** : Pour programmer un préchauffage seul, actionner la commande **START/TOUCH ON** après l'étape 2. Le préchauffage démarre, et quand le four atteint cette température programmée suivre le message indiqué.

## CONSEILS UTILES POUR CUISSON PAR CONVECTION ET COMBINAISON AUTOMATIQUE

Votre four à micro-ondes et convection peut cuire parfaitement les aliments du fait des nombreux modes de cuisson qu'il permet : micro-ondes seulement, combinaison automatique, convection seulement et gril. Le livre de cuisine livré avec votre four donne d'excellents conseils d'utilisation, des astuces, des tableaux et des recettes pour vous aider à utiliser au mieux votre four. Il faut le consulter souvent pour se familiariser avec son usage. Le manuel de fonctionnement vous indique lui comment programmer votre four.

Le four ne peut pas être utilisé sans que le plateau tournant soit en place. Ne bloquez jamais le mouvement de ce plateau.

### CUISSON PAR CONVECTION :

1 Durant le préchauffage, le plateau tournant peut rester en place ou être enlevé. Quand vous utilisez le trépied du haut pour une cuisson à deux trépieds dans un four préchauffé, il est plus facile d'enlever le plateau tournant durant le préchauffage.

Placez le trépied du haut sur le plateau tournant avec les aliments. Quand le préchauffage est terminé ouvrez la porte du four et mettez rapidement en place le plateau tournant, le trépied du haut et les aliments à cuire.

2 Ne couvrez pas le plateau tournant, le trépied bas ou le haut, avec du papier d'aluminium. cela interfère avec la circulation de l'air qui permet la cuisson des aliments.

3 Les moules à pizza ronds sont d'excellents ustensiles de cuisson pour beaucoup d'aliments à cuire avec convection. Choisissez des moules n'ayant pas de poignées qui dépassent, de 25, 30 et 35 cm de diamètre.

4 L'utilisation du trépied bas avec préchauffage donne une apparence grillée aux steaks, hot dogs, etc.

### CUISSON PAR MÉLANGE AUTOMATIQUE :

1 Les viandes sont meilleures quand elles sont rôties directement sur le trépied bas. Un plat peut être placé sous la viande si on veut utiliser les écoulements pour une sauce.

2 Les pièces de viande moins tendres peuvent être rôties et attendries en utilisant des sacs de cuisson au four.

3 En cuisant au four vérifiez le degré de cuisson à la fin de la durée prévue. Si elle est incomplète laissez reposer quelques minutes à four pour la terminer.

### Remarque :

Durant la cuisson mixte certains ustensiles de cuisson métalliques peuvent causer des arcs en entrant en contact avec le plateau tournant, les parois du four ou les trépieds accessoires. Un arc est une décharge d'électricité qui survient quand les micro-ondes entrent en contact avec du métal.

En cas d'arcs, placez un plat résistant à la chaleur (plat à tarte en Pyrex®, plateau à pizza en verre ou assiettes de cuisine) entre le bac et le plateau tournant ou le trépied. Si le phénomène d'arcs arrive avec d'autres ustensiles de cuisson au four, arrêtez leur utilisation dans le mode de cuisson mixte.

## AUTRES PARTICULARITÉS PRATIQUES

### HELP/SETTINGS

La touche HELP/SETTINGS facilite l'emploi du four en permettant l'affichage d'instructions pour 5 fonctions.

#### 1. VERROUILLAGE DE SÉCURITÉ

Le verrouillage de sécurité évite une utilisation indésirable du four à micro-ondes par des enfants par exemple. Le four peut être configuré pour que son tableau de commandes soit désactivé ou verrouillé. Pour ce faire, toucher **HELP/SETTINGS**, le chiffre 1 puis **START/TOUCH ON**. Si on veut ensuite activer une commande **LOCK** apparaît à l'affichage.

Pour annuler le verrouillage, toucher **HELP/SETTINGS** et la touche **STOP/CLEAR**.

#### 2. SUPPRESSION DU SIGNAL SONORE

Si on désire que le four n'émette pas de signal sonore pendant son fonctionnement, appuyer sur la touche **HELP/SETTINGS**, la touche 2 et la touche **STOP/CLEAR**.

Pour rétablir l'émission du signal sonore, appuyer sur la touche **HELP/SETTINGS**, la touche 2 et la touche **START/TOUCH ON**.

#### 3. DÉMARRAGE AUTOMATIQUE

Si on désire programmer le four de façon à ce qu'il commence la cuisson à une heure précise, procéder comme suit :

- Par exemple, commencer à cuisiner un ragoût sur 50% pour 20 minutes à 4:30. Avant tout, s'assurer que l'horloge indique l'heure exacte :

- 1 Appuyer sur la touche **HELP/SETTINGS**.
- 2 Toucher le chiffre 3 pour sélectionner Auto Start (démarrage auto).
- 3 Pour entrer l'heure de démarrage à 4 :30, activer successivement 4, 3 et 0.
- 4 Activer la commande **CLOCK**.
- 5 Pour entrer le programme de cuisson, activer **POWER LEVEL**, puis 5 et ensuite 2, 0, 0, 0 pour la durée de cuisson.
- 6 Activer la commande **START/TOUCH ON**. L'heure de démarrage automatique choisie va s'afficher.

#### Remarques :

- Le mode Auto Start peut être utilisé pour la cuisson manuelle, le grillage, le rôtissage et la cuisson avec convection, si l'horloge est paramétrée.
- Si on ouvre la porte du four après avoir programmé un démarrage automatique, il sinon nouveau appuyer sur la touche **START/TOUCH ON** de manière à

afficher l'heure à laquelle doit commencer la cuisson, faute de quoi celle-ci ne débutera pas à l'heure prévue.

- S'assurer que les aliments peuvent être conservés sans risque dans le four jusqu'à l'heure de leur cuisson. Les courges et potirons font partie de ceux-là.
- Pour connaître l'heure, appuyer sur la touche **CLOCK**. L'heure est affichée aussi longtemps que l'on maintient la pression d'un doigt sur cette touche.

#### 4. SÉLECTION DE LANGUE

Le four à micro-ondes est d'origine paramétré en anglais. Pour changer actionner **HELP/SETTINGS** et entrer 4. Continuer d'actionner 4 jusqu'à ce que la langue choisie soit sélectionnée. Toucher alors la commande **START/TOUCH ON**.

Un appui sur 4 : sélection de l'anglais.

Deux appuis sur 4 : sélection de l'espagnol.

Trois appuis sur 4 : sélection du français.

#### 5. SÉLECTIONS DE POIDS ET DE TEMPÉRATURE

Le four à micro-ondes est d'origine paramétré pour les unités américaines de température et poids. Pour changer actionner **HELP/SETTINGS** et entrer 5. Continuer d'actionner 5 jusqu'à ce que les unités choisies aient été sélectionnées. Toucher alors la commande **START/TOUCH ON**.

Un appui sur 5 : sélection de LB/°F.

Deux appuis sur 5 : sélection de KG/° C.

#### +60 SEC

La touche **+60 SEC** permet de commander une cuisson d'une durée d'une minute au niveau 100 %. Au cours du fonctionnement manuel, il est possible d'augmenter la durée de cuisson par incrément de 1 minute en appuyant sur cette touche autant de fois qu'il est nécessaire.

- Par exemple, chauffer une tasse de soupe pour une minute :

Appuyer sur la touche **+60 SEC**.

#### Remarques :

- La touche +60 SEC n'a d'effet que pendant la cuisson ou que dans la minute suivant une cuisson, l'ouverture et la fermeture de la porte, et la pression sur la touche **STOP/CLEAR**.
- +60 SEC ne peut pas être utilisé avec Reheat, Popcorn, Sensor Menu, Auto Defrost, Auto Broil, Auto Roast ni Auto Bake.

## HELP

Chaque configuration des modes Auto Defrost, Auto Broil, Auto Roast, Auto Bake, Sensor Menu, Reheat et Popcorn est accompagnée d'un conseil de cuisson. Pour le lire, toucher la commande **HELP/SETTINGS** à chaque fois que HELP est activé à l'affichage interactif pour accéder aux messages d'aide.

## MODE DE DÉMONSTRATION

Pour lancer une démonstration, toucher dans l'ordre **CLOCK**, 0, et la commande **START/TOUCH ON** à maintenir pendant 3 secondes. **DEMO ON** va s'afficher. On peut alors démontrer les opérations de cuisson et les possibilités spécifiques sans que le four à micro-ondes ne génère de puissance. Par exemple, l'appui sur la commande **+60 SEC** provoque l'affichage de **1.00** suivi d'un décompte rapide jusqu'à l'affichage de **END** à la fin.

Pour sortir du mode démonstration, toucher dans l'ordre **CLOCK**, 0, et la commande **STOP/CLEAR**. Si c'est plus facile, débrancher le four de sa prise secteur et le rebrancher.

## TOUCH ON

Touch On permet de cuire à puissance maximale (100 %) aussi longtemps que l'on maintient la pression d'un doigt sur la touche **START/TOUCH ON**. Touch On est parfait pour faire fondre du fromage, porter du lait à une température tout juste inférieure à la température d'ébullition, etc. La durée maximale d'utilisation est de 3 minutes.

- Par exemple, fondre du fromage sur un morceau de pain grillé :
- 1 Maintenir la pression d'un doigt sur la touche **START/TOUCH ON**. La durée s'affiche.
  - 2 Lorsque le fromage a atteint l'onctuosité désirée, relâcher la pression du doigt sur la touche **START/TOUCH ON**. Le four cesse immédiatement de fonctionner.

### Remarques :

- Noter les temps nécessaires concernant à diverses opérations fréquentes et les programmer pour une utilisation future.
- La touche **TOUCH ON** n'a d'effet que au cours de la minute qui suit une cuisson, l'ouverture et la fermeture de la porte ou une pression sur la touche **STOP/CLEAR**.
- La touche **TOUCH ON** ne peut être utilisée que trois fois de suite. Il faut ensuite ouvrir et fermer la porte du four ou appuyer sur la touche **STOP/CLEAR**, pour augmenter le temps de cuisson.

## SÉQUENCE DE CUISSON MULTIPLE

Le four peut être programmé pour jusqu'à 4 séquences automatiques de cuisson pour le mode micro-ondes, et 4 séquences automatiques de cuisson avec préchauffage pour le mode convection/combinaison, en commutant d'un réglage de puissance à l'autre automatiquement.

Parfois les instructions de cuisson vous indiquent de démarrer à une puissance et de changer ensuite pour une différente. Votre four le fait automatiquement.

- Par exemple, cuisson d'une pièce de boeuf à rôtir 5 minutes à 100 % puis 30 minutes à 50 % :
- 1 Activer d'abord la commande **POWER LEVEL** deux fois pour 100 %. Puis entrer la première durée de cuisson 500.
  - 2 Activer la commande **POWER LEVEL**, 5 pour 50 %. Puis entrer la seconde durée de cuisson 3000.
  - 3 Activer la commande **START/TOUCH ON**.

### Remarque :

Comme la commande **POWER LEVEL** a été activée deux fois, **HIGH** est affiché.

Si l'on souhaite connaître le **POWER LEVEL** programmée, il suffit de toucher la commande **POWER LEVEL**. La puissance s'affiche temps que le doigt reste sur cette touche.

## RÉGLAGE DE DURÉE EN PLUS OU EN MOINS

Si vous trouvez que vous préférez les réglages de Sensor Menu, Reheat, Popcorn ou Auto Defrost un peu plus forts, appuyer une fois sur la touche **POWER LEVEL** après avoir appuyé sur les touches de votre choix. **MORE** s'affichera.

Pour des réglages un peu moins forts, appuyer deux fois sur la touche **POWER LEVEL** après avoir appuyé sur les touches de votre choix. **LESS** s'affichera.

## TIMER

- Par exemple, chronométrage d'un appel téléphonique longue distance pour 3 minutes :
- 1 Actionner la commande **TIMER**.
  - 2 Entrer la durée touchant la séquence 300.
  - 3 Actionner la commande **START/TOUCH ON**.

## NETTOYAGE ET ENTRETIEN

Débrancher le cordon secteur avant de nettoyer, ou laisser la porte ouverte pour inactiver le four micro-ondes durant son nettoyage.

### EXTÉRIEUR

La surface extérieure du four est peinte. Nettoyez l'extérieur à l'eau et au savon doux; rincez et séchez avec un linge doux. N'employez aucun produit de nettoyage de ménage ou produit abrasif.

### PORTE

Essayez les deux faces de la porte avec un linge humide pour supprimer toutes éclaboussures. Les parties métalliques sont plus faciles à entretenir si elles sont essuyées souvent avec un linge humide. Éviter l'utilisation de pulvérisateur et autres nettoyeurs forts pour ne pas tacher, strier ou délustrer la surface de la porte.

### PANNEAU TACTILE DE COMMANDE

Nettoyez le panneau avec précaution. S'il se salit, le désactiver en ouvrant la porte du four avant le nettoyage. Essayez le panneau avec un linge légèrement humecté d'eau seulement. Séchez avec un linge doux. Ne pas frotter, récurer, ni utiliser aucun produit d'entretien chimique. Utilisez le moins d'eau possible. Fermez la porte et touchez Stop/Clear.

### INTÉRIEUR - APRÈS CUISSON AUX MICRO-ONDES

Le nettoyage est facile car il y a peu de chaleur dégagée sur les surfaces intérieures. De ce fait il n'y a pas de surchauffe ni de projections ou éclaboussures. Pour nettoyer les surfaces intérieures, essayez avec un chiffon doux et de l'eau chaude. N'UTILISEZ PAS DE NETTOYANTS ABRASIFS OU FORTS, NI DE TAMPONS À RÉCURER. Pour les salissures coriaces, utilisez du bicarbonate de soude ou du savon doux. Rincez complètement à l'eau claire. NE PROJÉTEZ JAMAIS DE NETTOYANT POUR FOUR DIRECTEMENT SUR UNE PARTIE QUELCONQUE DU FOUR À MICRO-ONDES.

### INTÉRIEUR - APRÈS CUISSON PAR CONVECTION OU COMBINÉE, OU GRILLADE

Les corps gras et l'humidité peuvent laisser des éclaboussures. Lavez immédiatement à l'eau chaude savonneuse. Rincez à fond et séchez par polissage. Des salissures plus difficiles à enlever peuvent se former si le four n'est pas nettoyé scrupuleusement et en cas de

cuisson prolongée ou à haute température. En pareil cas, il conviendrait d'acheter un tampon à nettoyer les fours, déjà imbibé d'un produit liquide et destiné aux surfaces d'acier inox ou de porcelaine - et non pas un tampon à récurer, saturé de savon. Suivez soigneusement le mode d'emploi du fabricant et prenez particulièrement soin de ne pas laisser pénétrer le liquide dans les perforations des parois ni nulle part sur la porte. Rincez à fond et séchez par polissage.

Après le nettoyage complet de l'intérieur, la graisse résiduelle peut être éliminée des conduites intérieures et des éléments chauffants en faisant simplement fonctionner le four à 450° F pendant 20 minutes sans aliments dedans. Ventilez la pièce si nécessaire.

### COUVERCLE DU GUIDE D'ONDES

Le couvercle du guide d'ondes est fait de mica et exige donc un soin particulier. Garder propre le couvercle du guide d'ondes afin que le four fonctionne bien. Essuyer soigneusement les éclaboussures d'aliment à la surface du couvercle avec un linge humide immédiatement après qu'elles ont eu lieu. L'accumulation d'éclaboussures pourrait surchauffer et causer de la fumée ou possiblement prendre en feu. Ne pas retirer le couvercle du guide d'ondes.

### DÉSODORISATION

Des odeurs de cuisine peuvent éventuellement persister dans le four. Pour les éliminer, mélangez le jus et l'écorce râpée d'un citron et quelques clous de girofle, avec une tasse d'eau dans un récipient de deux tasses. Faites bouillir quelques minutes au niveau de 100 %. Laissez refroidir dans le four. Essayez l'intérieur avec un linge doux.

### PLATEAU TOURNANT/SUPPORT DE PLATEAU/GRILLES À TRÉPIED

Le plateau tournant, son support et les grilles peuvent être sortis pour faciliter leur nettoyage. Lavez-les avec une solution d'eau et détergent doux, les taches rebelles étant éliminées avec un nettoyant doux et une éponge non abrasive. Ces accessoires peuvent aussi passer au lave-vaisselle. Pour le plateau tournant utilisez l'étagère supérieure du lave-vaisselle.

Les aliments à forte acidité, comme les tomates ou citrons, peuvent provoquer une décoloration de l'émail du plateau tournant. N'y cuisez donc pas directement d'aliments acides, et en cas d'écoulements essayez-les immédiatement.

L'axe du moteur de la table tournante n'est pas étanchéifié, des excès de liquide ou des déversements ne doivent pas stagner dans cette zone.



Vérifier ce qui suit avant de faire appel à un réparateur :

**1** Placer une tasse d'eau dans un verre gradué dans le four et bien fermer la porte. Faire fonctionner le four pendant 1 minute à puissance ÉLEVÉE 100 %.

A. Est-ce que la lumière du four est allumée? OUI \_\_\_\_\_ NON \_\_\_\_\_

B. Est-ce que le ventilateur de cuisson fonctionne?  
(Placer sa main sur l'évent à lame à l'arrière du four.) OUI \_\_\_\_\_ NON \_\_\_\_\_

C. Est-ce que le plateau tournant tourne?  
(Il est normal pour le plateau de tourner dans un sens ou dans l'autre.) OUI \_\_\_\_\_ NON \_\_\_\_\_

D. Est-ce que l'eau est chaude? OUI \_\_\_\_\_ NON \_\_\_\_\_

**2** Enlever l'eau du four et mettre le four en route pour 5 minutes sur CONVECTION à 450°F.

A. Les témoins CONV et COOK s'allument-ils? OUI \_\_\_\_\_ NON \_\_\_\_\_

B. L'intérieur du four est-il chaud quand le four s'arrête? OUI \_\_\_\_\_ NON \_\_\_\_\_

Si la réponse à l'une ou l'autre de ces questions est NON, vérifier la prise électrique, le fusible ou le disjoncteur. S'ils fonctionnent convenablement, COMMUNIQUER AVEC LE RÉPARATEUR SHARP AUTORISÉ LE PLUS PROCHE. Il ne faut jamais réparer un four à micro-ondes soi-même.

**Remarque :**

Si le temps qui apparaît dans l'affichage diminue très rapidement, vérifier le MODE DE DÉMONSTRATION à la page 29 et annuler.el.

## FICHE TECHNIQUE

Tension d'alimentation :	UL CSA	Monophasé 120 V, 60 Hz, courant alternatif seulement Monophasé 117 V, 60 Hz, courant alternatif seulement
Alimentation requise :	UL CSA	1,55 kW, 13,0 A (micro-onde/convection) 1,5 kW, 13,0 A (micro-onde/convection)
Puissance de sortie :		
Micro-ondes*	900 watts	
Chauffage à convection	1 450 watts	
Fréquence :	2 450 MHz (Class B/Group 2)**	
Dimensions extérieures :	24 5/8 (L) x 14 7/8 (H) x 19 (P) po	
Dimensions de la cavité :	16 1/8 (L) x 9 5/8 (H) x 16 1/8 (P) po	
Capacité du four :***	1,5 pi <sup>3</sup>	
Uniformité de cuisson :	Plateau tournant	
Poids :	Environ 60 lb	

\* Méthode normalisée de la Commission électrotechnique internationale pour la mesure de puissance débitée. Cette méthode de mesure est largement reconnue.

\*\* Ceci est la classification pour l'équipement ISM (industriel, scientifique, médical) décrite dans la norme internationale CISPR 11.

La catégorie B regroupe l'équipement pouvant être utilisé dans les établissements domestiques.

Le groupe 2 regroupe l'équipement générant intentionnellement de l'énergie radiofréquence sous forme de radiations électromagnétiques pour le traitement thermique d'aliments.

\*\*\* La capacité interne se calcule en mesurant la largeur, la profondeur et la hauteur maximales. La capacité actuelle pour contenir des aliments est moindre.

Conforme aux normes établies par :

FCC – Federal Communications Commission

DHHS – Conforme au règlement CFR Title 21 chapitre I section J du Department of Health and Human Services (DHHS)

Santé Canada – conforme au Règlement sur les dispositifs émettant des radiations concernant les fours à micro-ondes.



– Ce symbole sur la plaque signalétique signifie que le produit est homologué par Underwriters Laboratories, Inc. pour utilisation aux États-Unis ou au Canada.



---

**SHARP**<sup>®</sup>

SHARP ELECTRONICS CORPORATION  
100 Paragon Drive  
Montvale, New Jersey 07645