

# RVH8005

TOPMOUNT KITCHEN SINK

**RUVATI**<sup>®</sup>  
SPECIFICATION SHEET

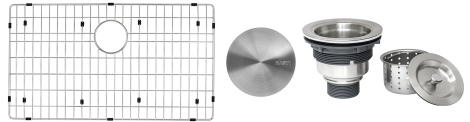
## MATERIAL

True 16 Gauge Thickness  
Premium T304 Grade Stainless Steel  
18/10 Chromium/Nickel Content  
Commercial Brushed Finish



## FEATURES

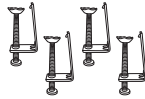
- Heavy duty sound guard padding and undercoating
- Slanted bottom with elegant drain grooves for easy draining
- Rounded inside corners



## IN THE BOX



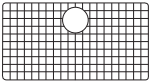
Basket Strainer  
[RVA1025]



Mounting Clips  
[RVA11042]



Drain Cover  
[RVA1035]



Rinse Grid  
[RVA68005]



Cut-out  
Template

## NOMINAL DIMENSIONS

**Exterior:** 33" (wide) x 22" (front-to-back)  
**Interior Bowl:** 31" (wide) x 18" (front-to-back)  
**Bowl Depth:** 10"  
**Minimum Cabinet Size:** 36" wide  
**Drain Hole Size:** 3½"

**Installation Type:**  
Topmount  
**Inside Corners:**  
Rounded  
**Drain Location:**  
Rear Center

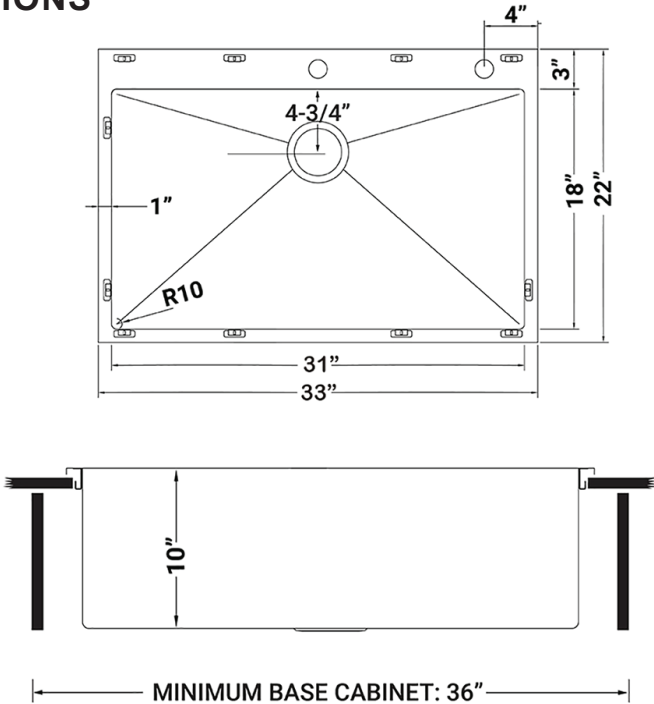
**RUVATI USA**

# OPTIONAL ACCESSORIES (SOLD SEPARATELY)



Deep Basket  
Disposal Flange  
[RVA1049ST]

## DIMENSIONS



# RUVATI USA