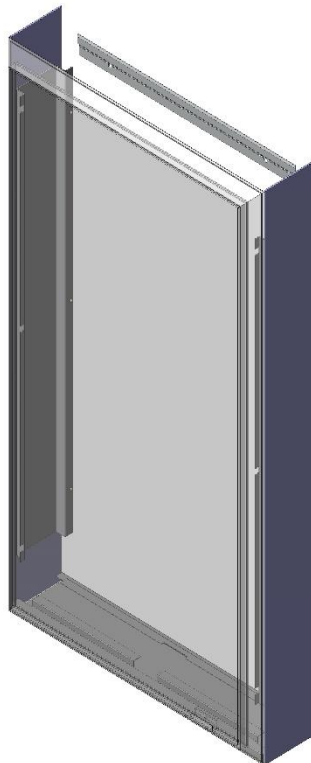


**WALL MOUNT KIT INCLUDING SIDE MIRRORS**  
***KIT FIXATION MURALE Y COMPRIS LES MIROIRS***  
***LATÉRAUX***

**FOR MIRRORED BATHROOM CABINETS**  
**MODEL: SIDLER® QUADRO**



**Read the instructions carefully before installing the mirror cabinet.**  
***Lisez attentivement les instructions avant d'installer l'armoire de***  
***toilette.***

**Keep these instructions for future reference.**  
***Conservez-les instructions pour future référence.***

### IMPORTANT SAFETY INSTRUCTIONS

To reduce the risk of burns, fire, electric shock, or injury:

- This product is for household use only
- **WARNING** – do not use outdoors
- **WARNING** – use this furnishing only for its intended use as described in these instructions
- **WARNING** – never operate the furnishing with the air openings blocked. Keep the air openings free of lint, hair, and the like
- **WARNING** – never drop or insert any object into any opening
- **WARNING** – avoid dispensing of aerosol sprays near top of the cabinet

***\*SAVE THESE INSTRUCTIONS***

Importantes consignes de sécurités pour réduire les risques de brulures, d'incendie, de choc électrique et de blessures:

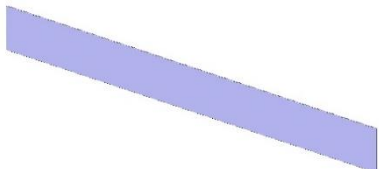
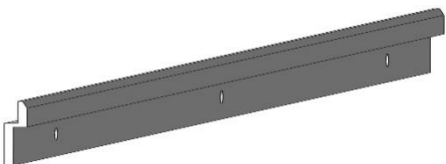
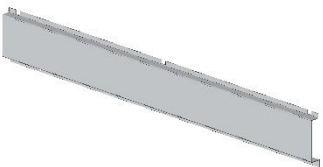
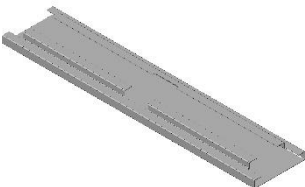



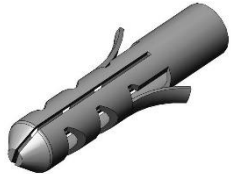
- Ce produit est destiné seulement à un usage personnel et familial
- **Avertissement** – ne pas utiliser à l'extérieur
- **Avertissement** – Utilisez cette armoire pour l'usage approprié tel que décrit dans ce manuel
- **Avertissement** – Ne jamais faire fonctionner l'armoire si ses ouvertures d'aération sont obstruées. Veiller à ce que ses ouvertures soient exemptes de peluches, cheveux et autres.
- **Avertissement** – Ne jamais laissez tomber ou insérer un objet dans les ouvertures
- **Avertissement** – Éviter la pulvérisation de bombes aérosol à proximité haut de l'armoire

***\*VEUILLEZ CONSERVER CES INSTRUCTIONS***

### LIST OF ALL COMPONENTS TO BE INSTALLED

### LISTE DES PIÈCES À INSTALLER

The components pos.2 and pos.6 are included in the delivered mirror cabinet.

Pos.	Description	Dimension	Comment
1	side mirror / miroir latéraux		wall mount only
2	mounting bracket / support de montage		wall mount only
3	sheet metal / tôle		wall mount only
4	bottom screen / brise-vue		wall mount only
5	screw / vis	M4x8	wall mount only
6	screw / vis	4.5 x 35 mm	
7	anchor / goujons		wall mount only
8	raw plug / goujons		wall mount only
			
<b>pos. 1</b> side mirror / miroir latéraux		<b>pos. 2</b> assembly rail/support de montage	
			
<b>pos. 3</b> sheet metal / tôle	<b>pos. 4</b> bottom screen / brise-vue	<b>pos. 5</b> screw / vis	
			
<b>pos. 6</b> screw / vis	<b>pos. 7</b> anchor / goujons	<b>pos. 8</b> raw plug / goujons	

### INSTALLATION GUIDE – GUIDE D'INSTALLATION

#### Step 1 – Mounting bracket Étape 1 - Support de montage

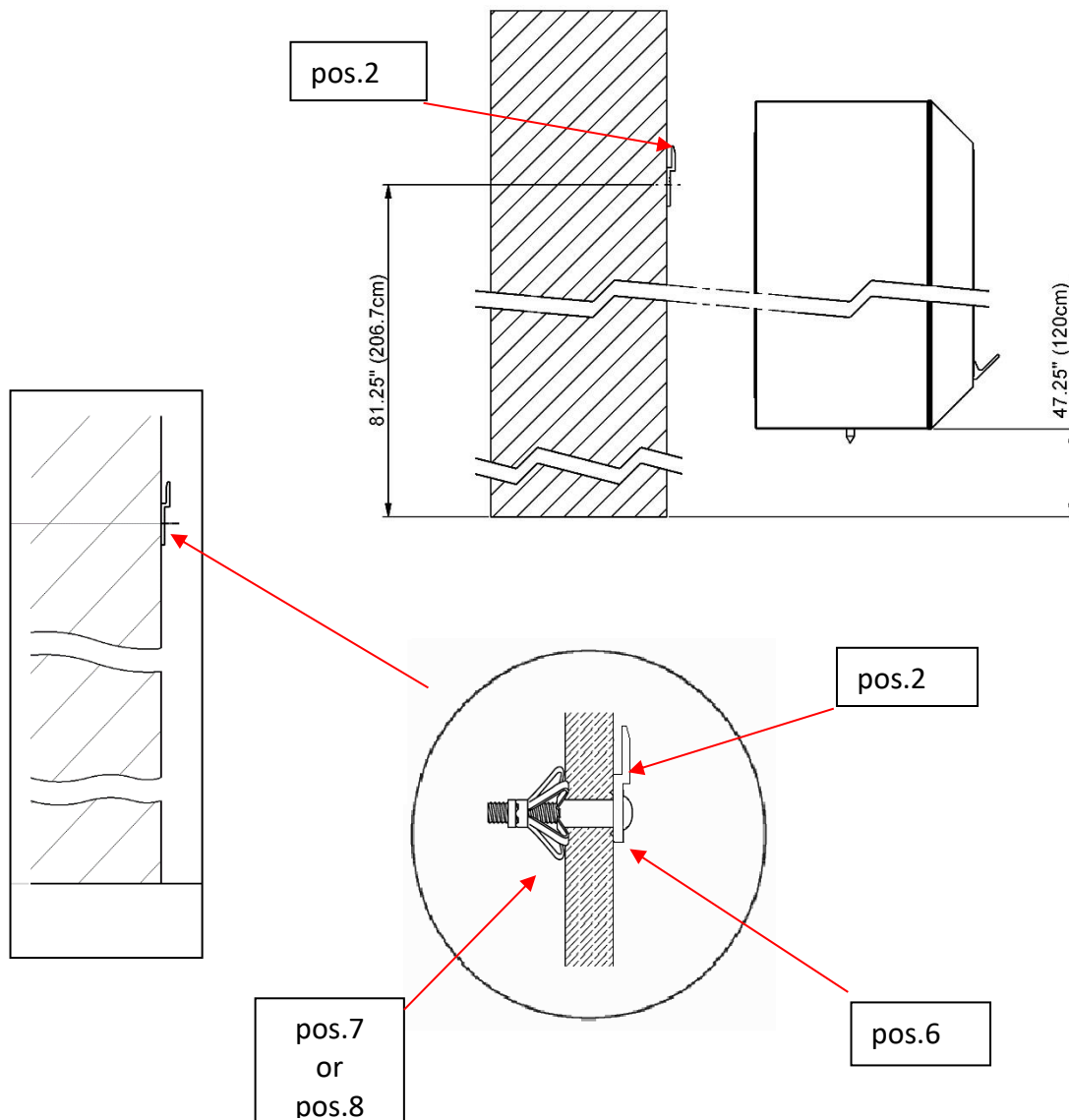
- a) Mount the mounting bracket (pos. 2) according to the schematic drawings below. Recommend height: center of mounting holes at 77".

Make sure that the mounting bracket is fastened to at least one wall stud. Use the correct anchors for the different types of walls.

pos.7	dry walls, hollow brick walls
pos.8	brick walls, concrete walls

Drill holes 3/8" (10mm) for the anchors pos.4 or 1/4" (6mm) for pos.5

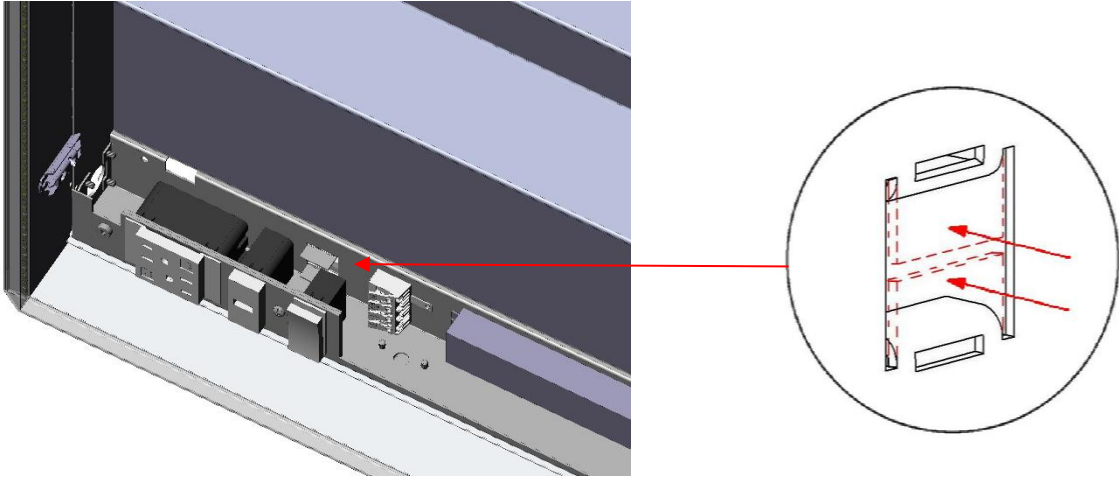
Check the mounting rail with a level before proceeding with the next steps.



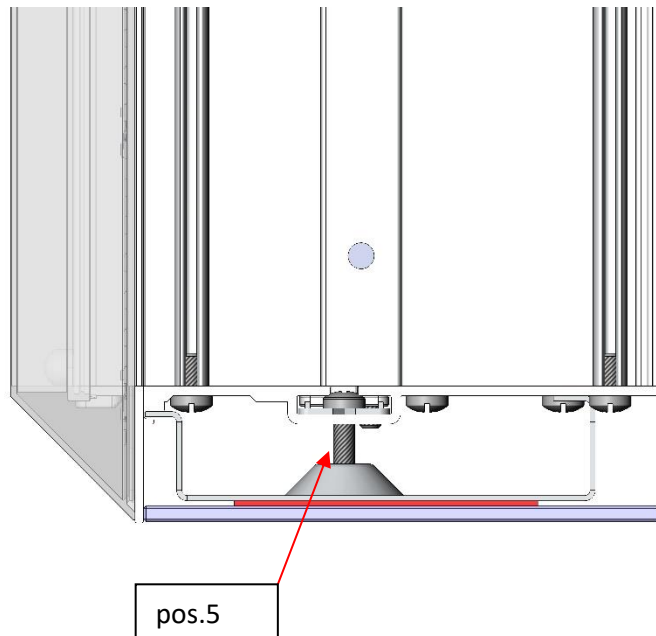
### Step 2 – Preparing wiring / assembling side mirrors

### Étape 2 - Préparation du câblage / assemblage des rétroviseurs latéraux

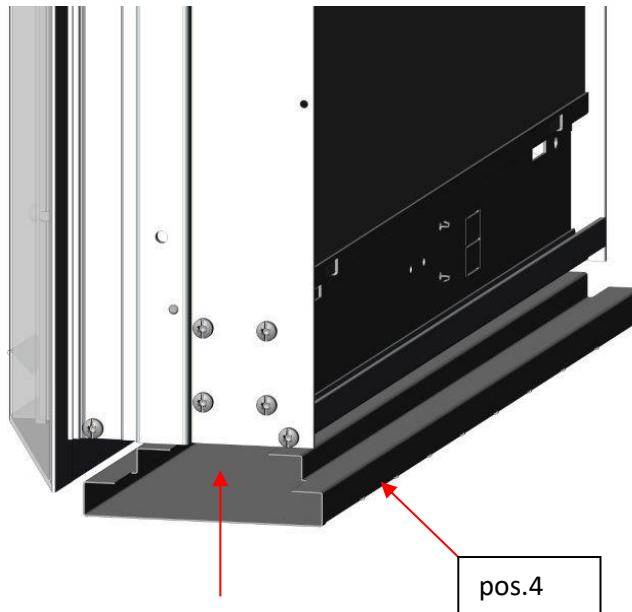
- a) Bend the two flaps open at the back of the mirrored cabinet



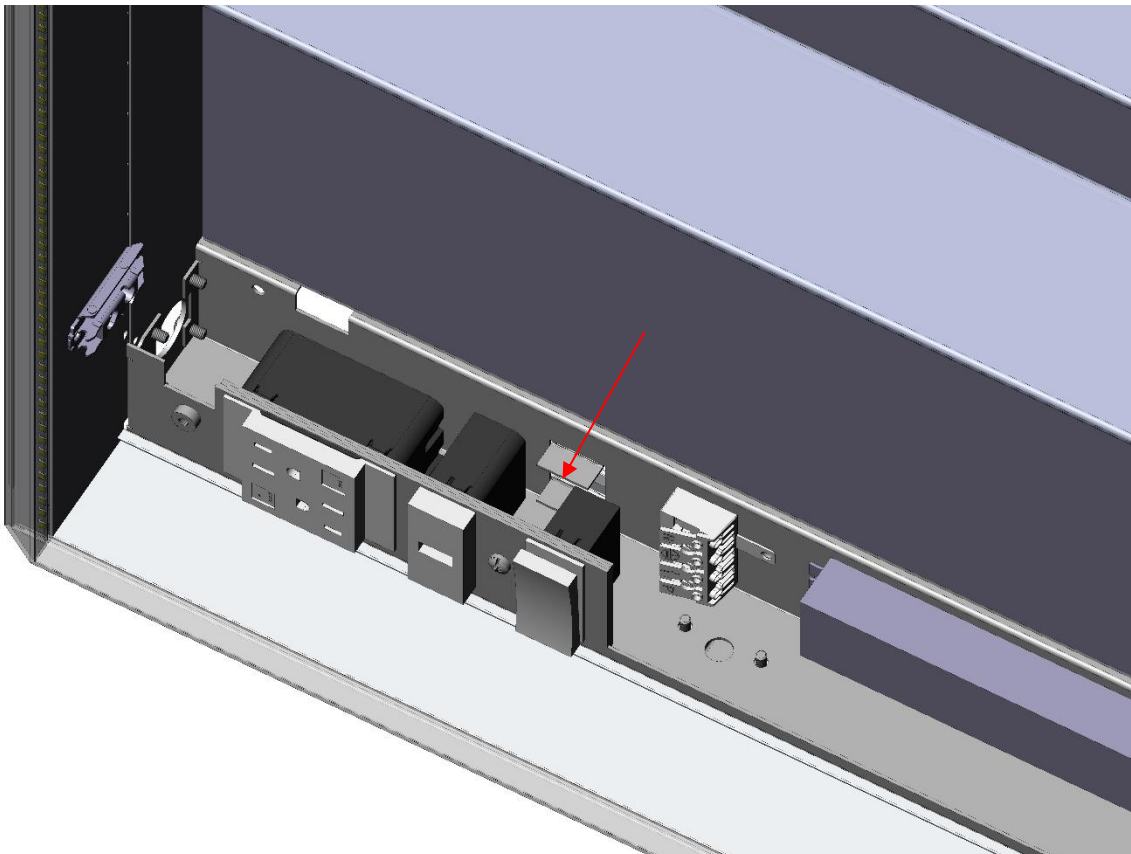
- b) Mount the side kits



**Step 3 – Mount bottom cover**  
**Étape 3 - Montez le couvercle inférieur**

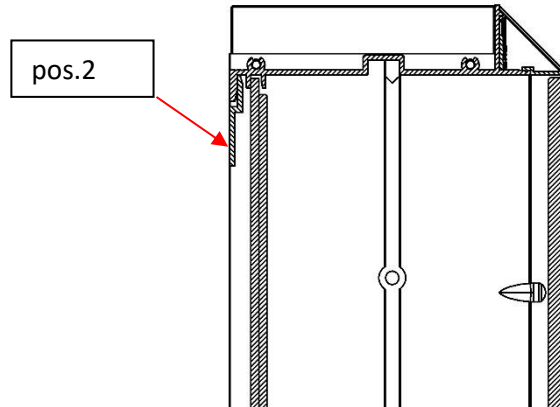


**Step 4 – Thread wires through back opening**  
**Étape 4 - Enfilez les fils dans l'ouverture arrière**

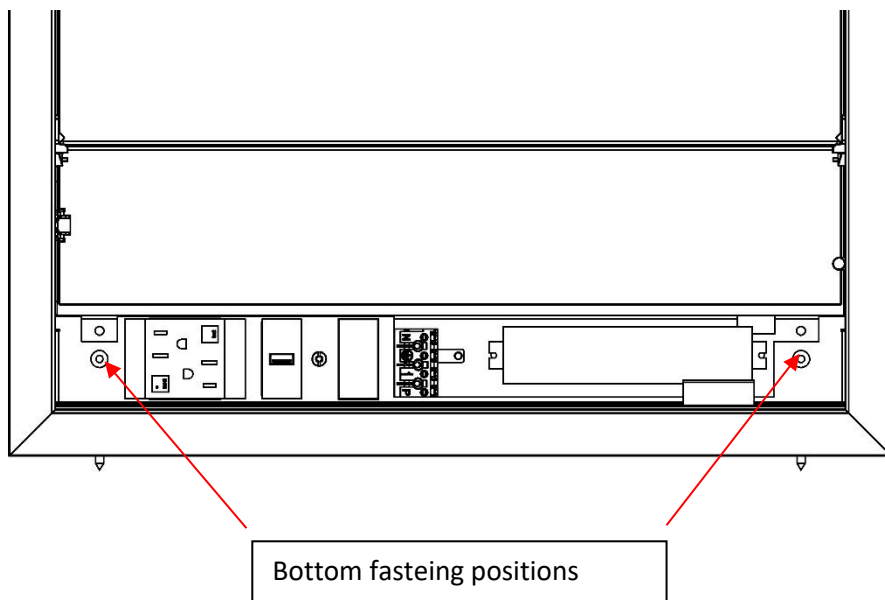


### Step 5 – Mount the Cabinet Étape 5 - Montez l'armoire

- a) Hang the cabinet into mounting bracket Pos. 2



- b) Center the mirror cabinet over the vanity and fasten it at the lower mounting holes as shown below, by using the anchors (pos.4 or pos.5).



**proceed with**

**OPERATION INSTRUCTIONS** *Quadro*

⇒ Step 6 (Connect the Electric Cables)

### LIMITED WARRANTY

SIDLER will provide a two-year warranty in respect of defects associated with the Product, commencing from the date of delivery, subject to the following conditions:

- I. The Product must have been professionally mounted and installed by a certified licensed contractor in accordance with the *Safety Standards Act*, S.B.C. 2003, c. 39, as amended, and the Electrical Safety Regulation B.C. Reg. 100/2004, as amended.
- II. The Product must have been used by the Purchaser in the manner and for the purpose recommended and authorized by SIDLER and the manufacturer.
- III. The Product must not have been modified, or changed in design or function following delivery.
- IV. In each case, written notice by the Purchaser specifying the alleged defects must be received during the warranty period (within two years of the date of delivery).
- V. The warranty is limited to replacement parts only.
- VI. Damages resulting from normal wear and tear are excluded. The determination of whether damage has so resulted will be in the sole discretion of SIDLER.
- VII. Damages resulting from any errors in representations made by the manufacturer regarding product specifications are excluded.

**SIDLER® International Ltd.**

Burnaby, BC  
CANADA