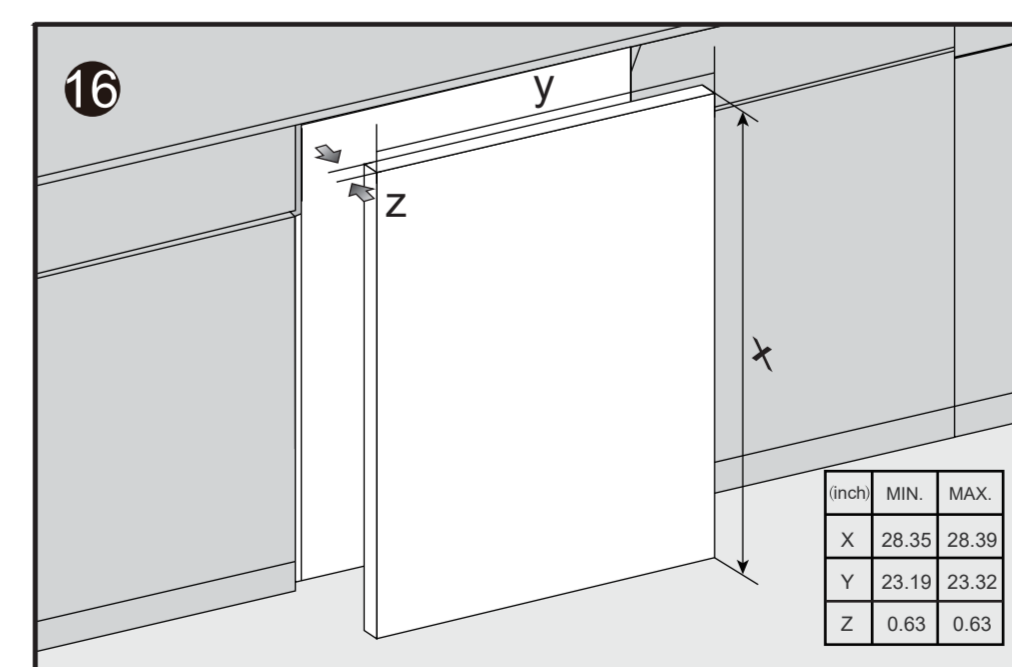
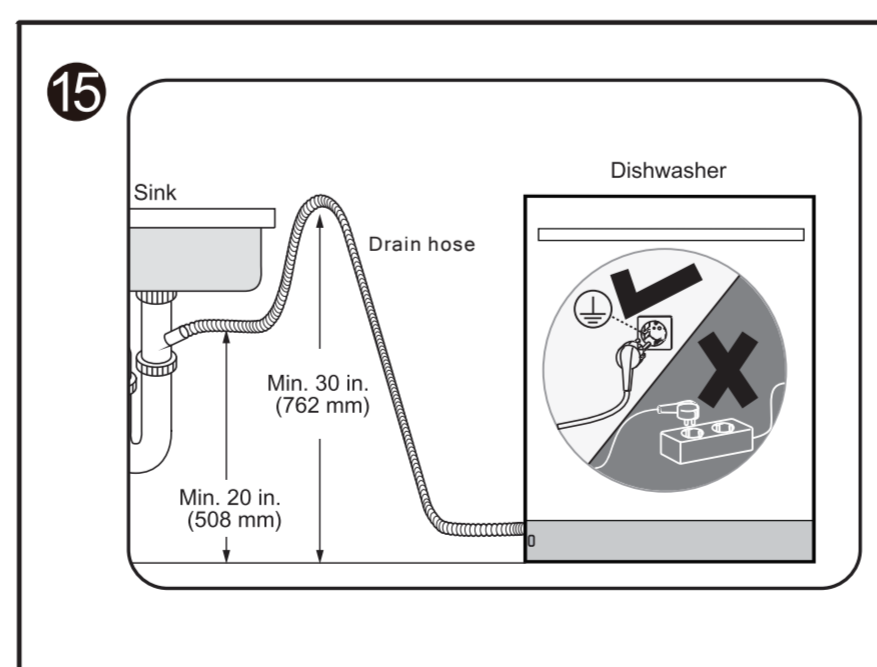
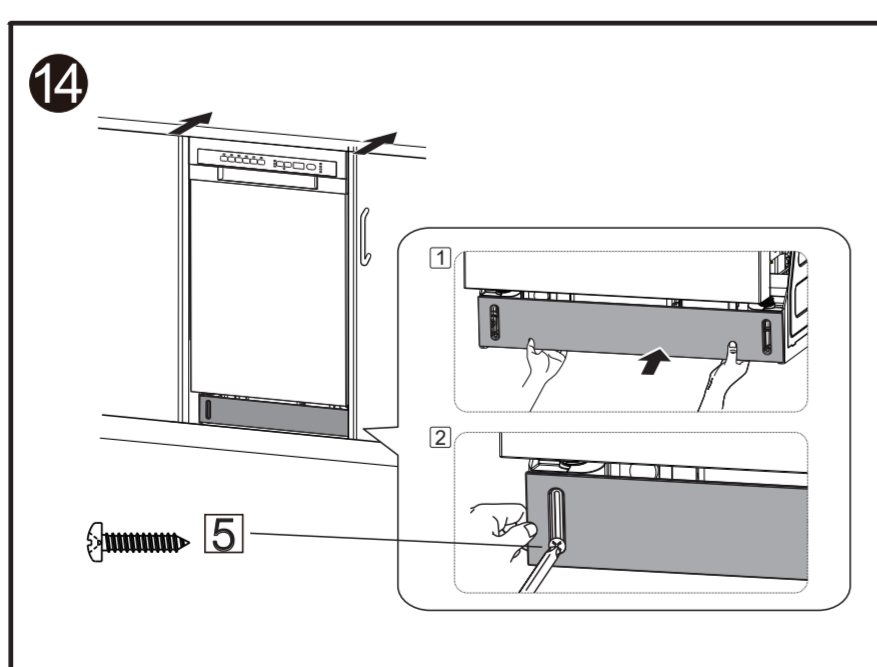
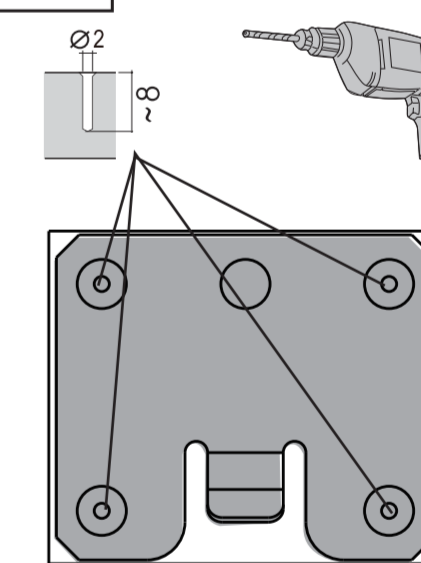
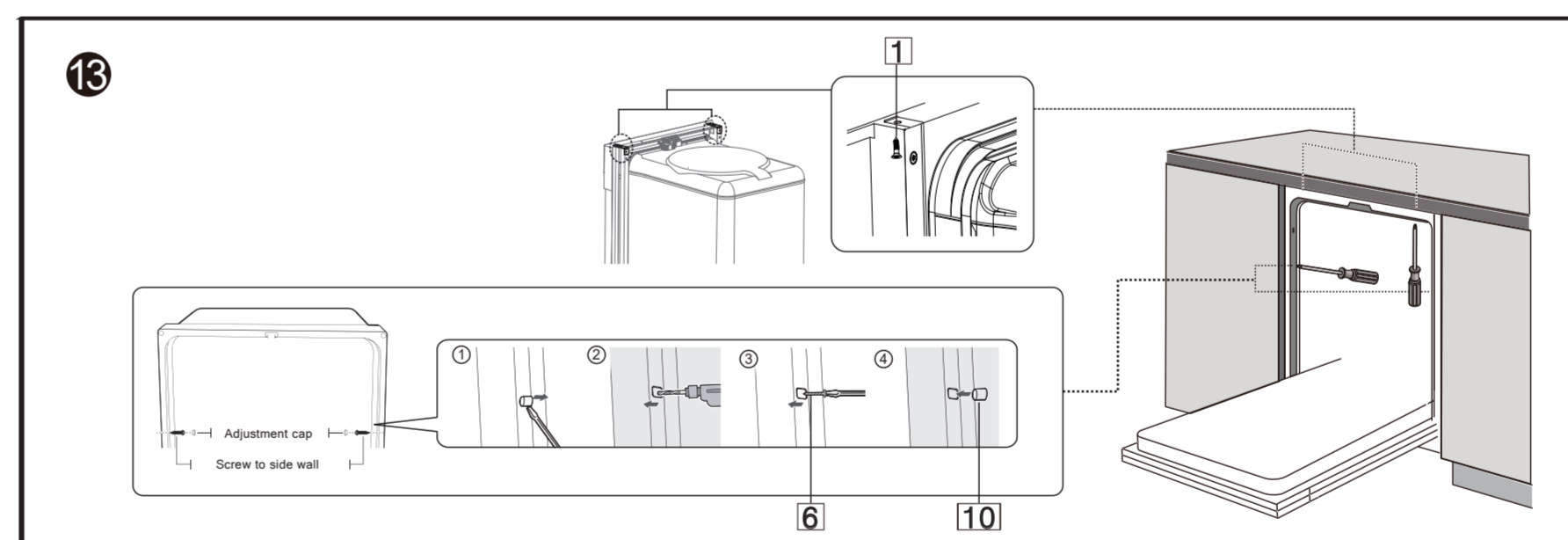
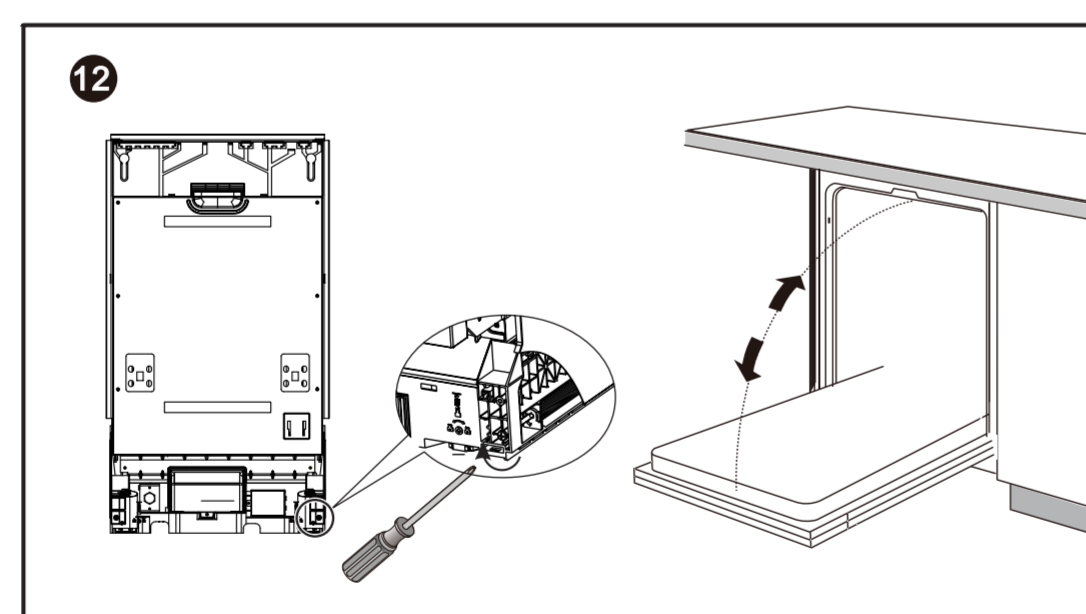
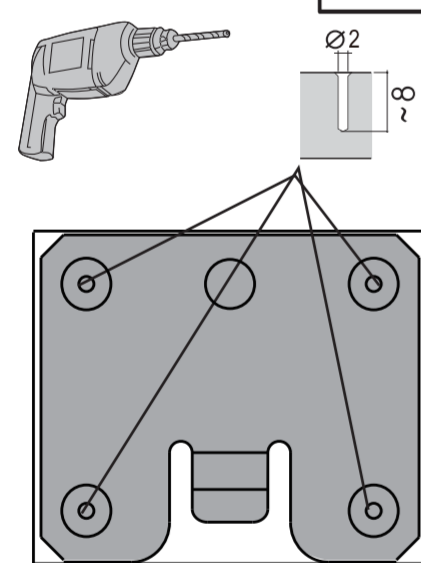
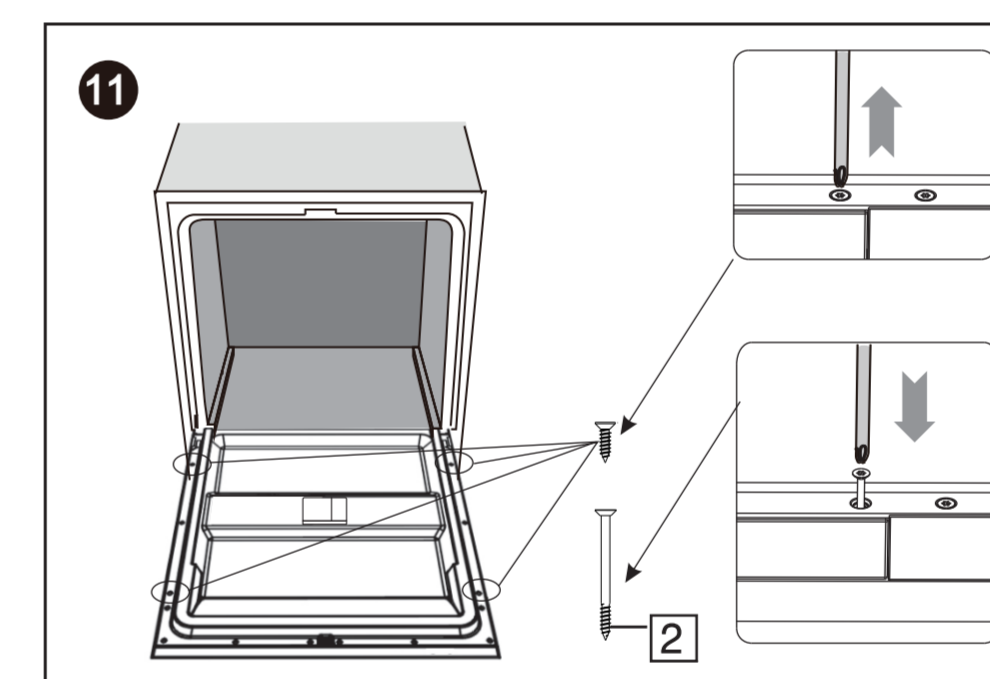
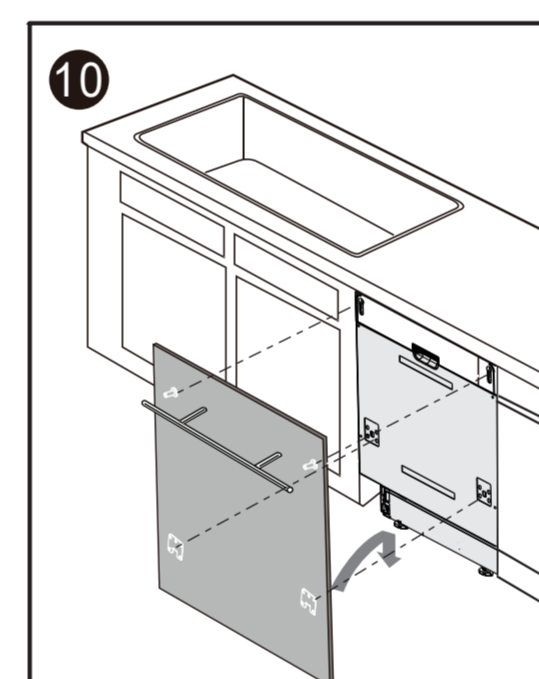
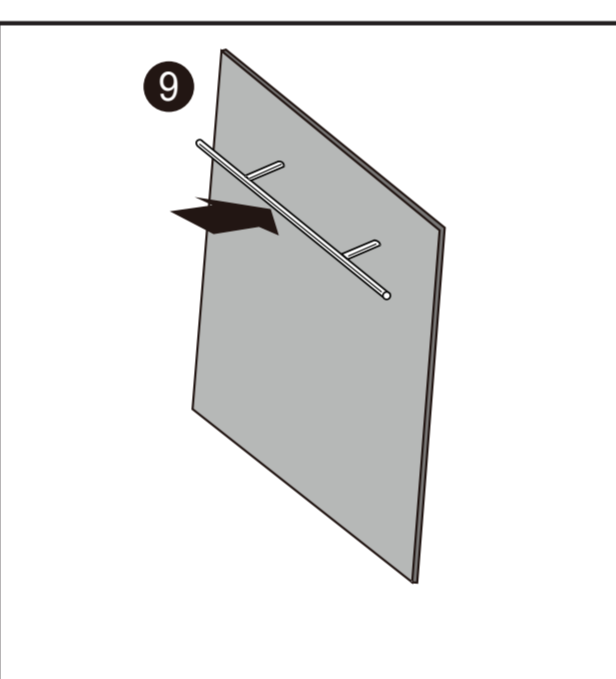
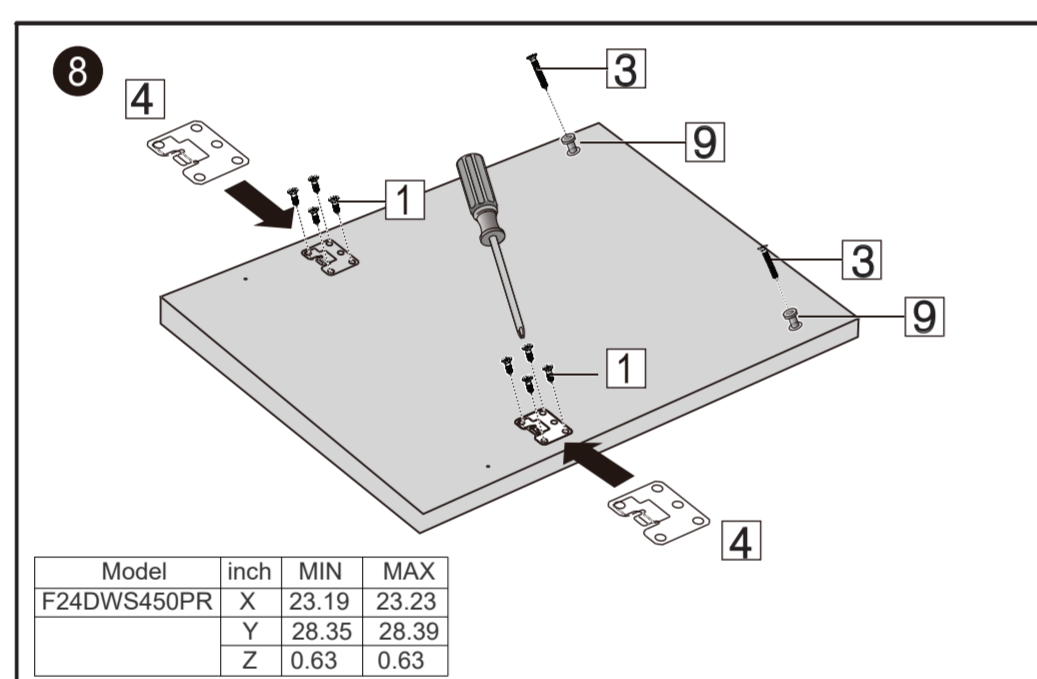
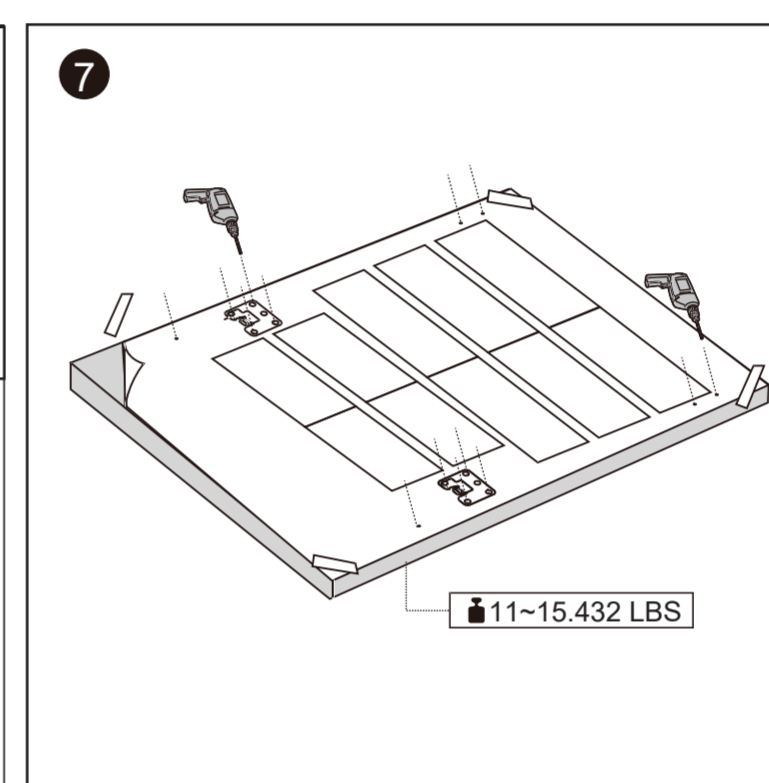
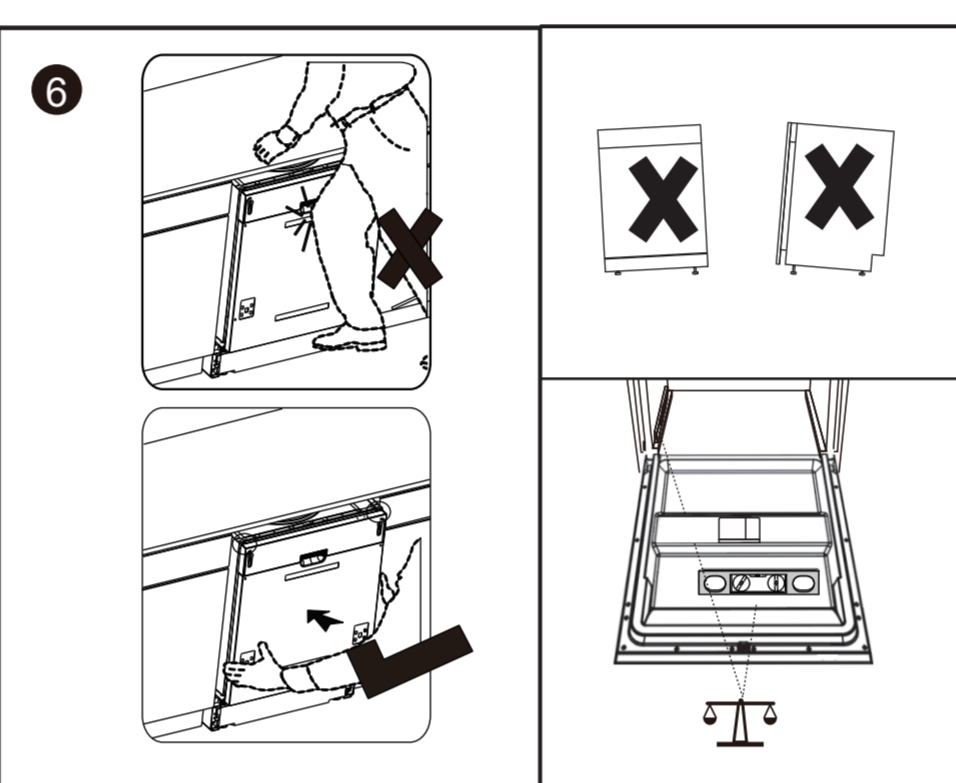
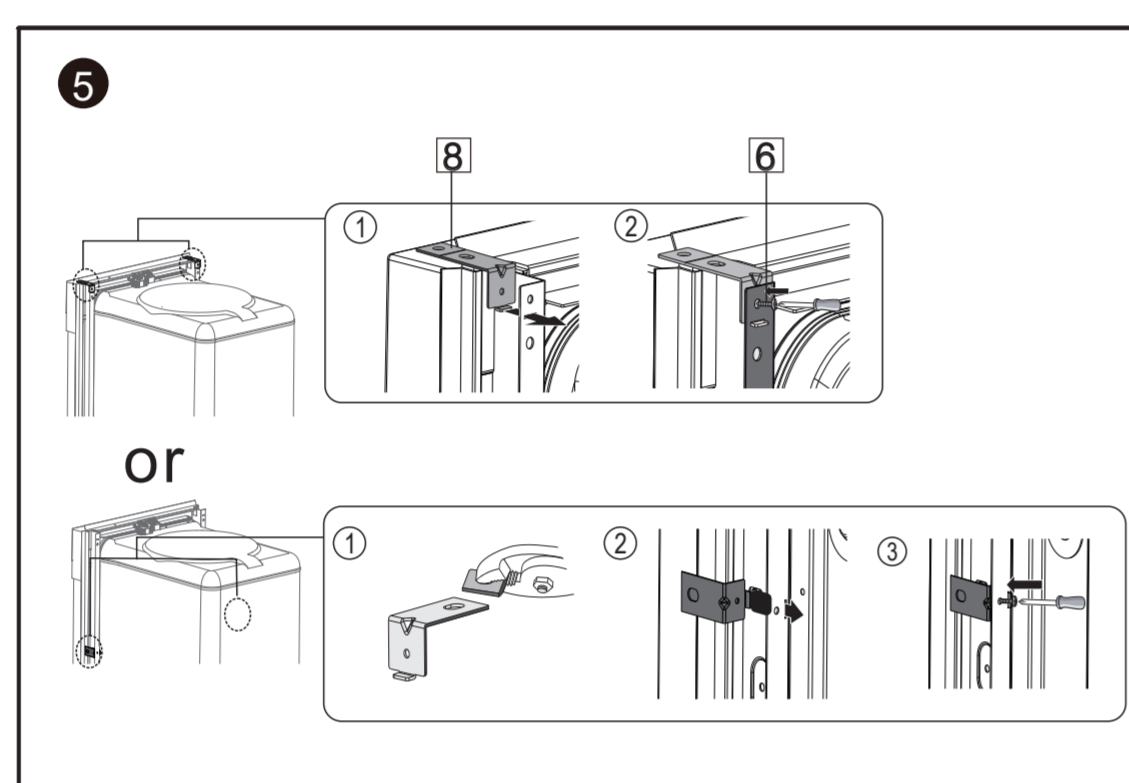
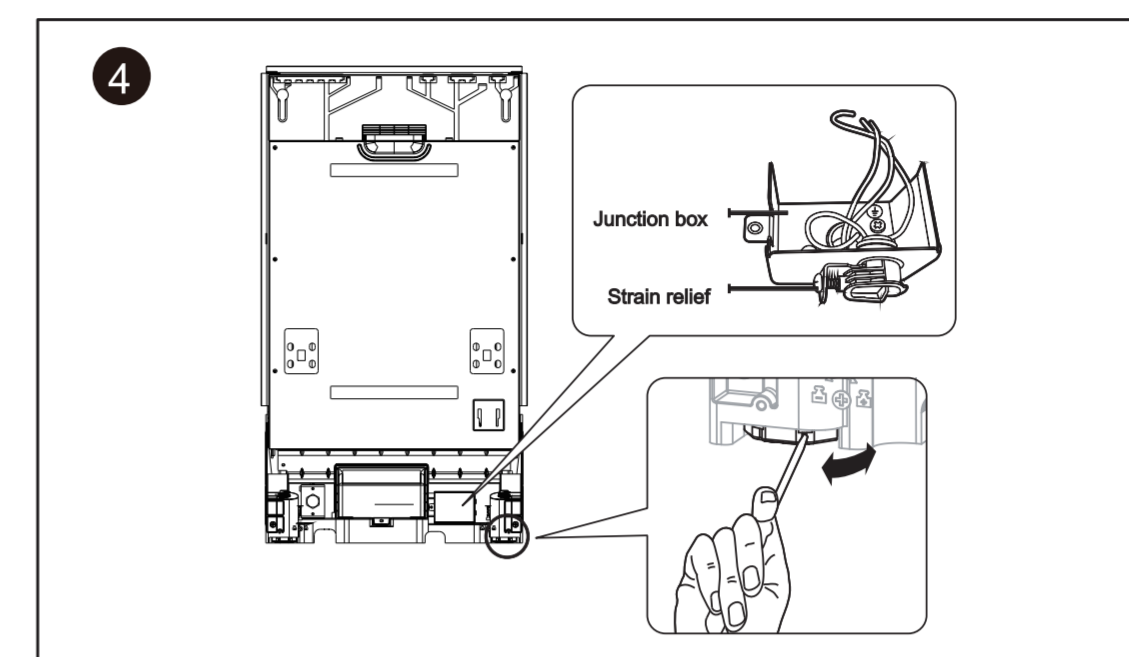
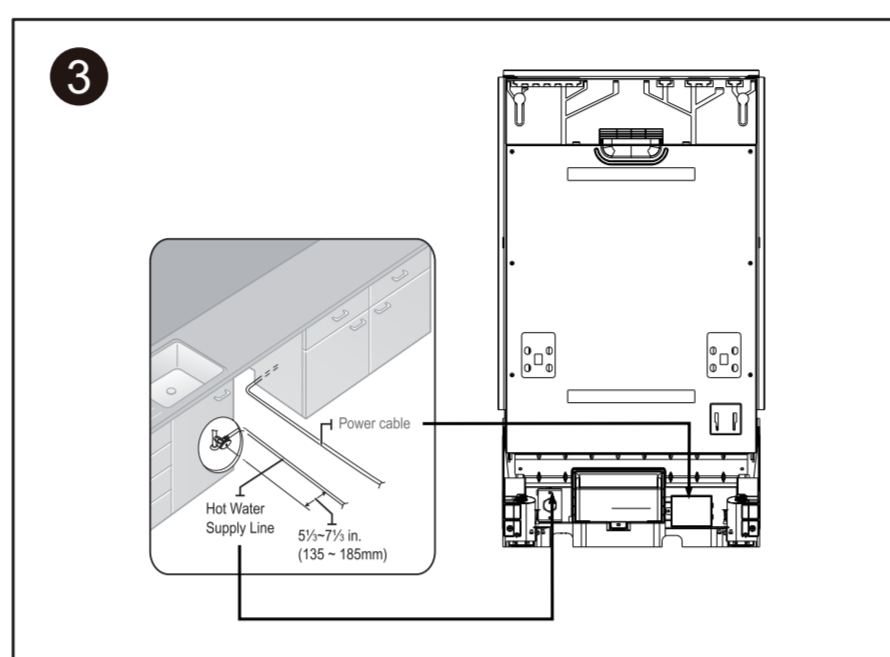
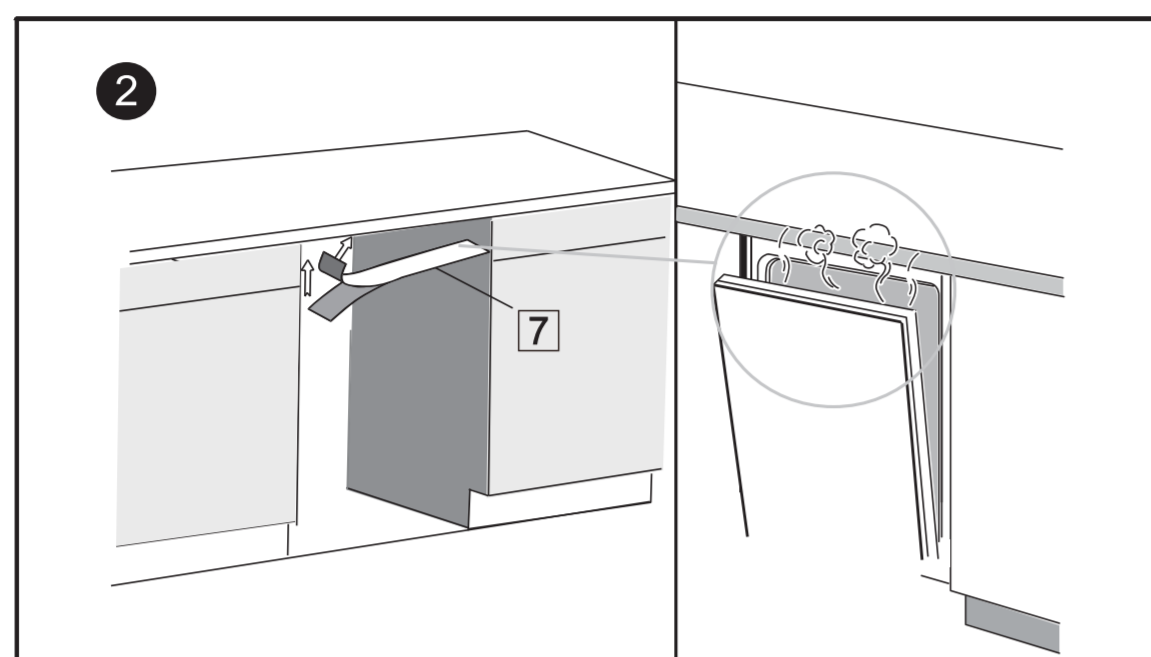
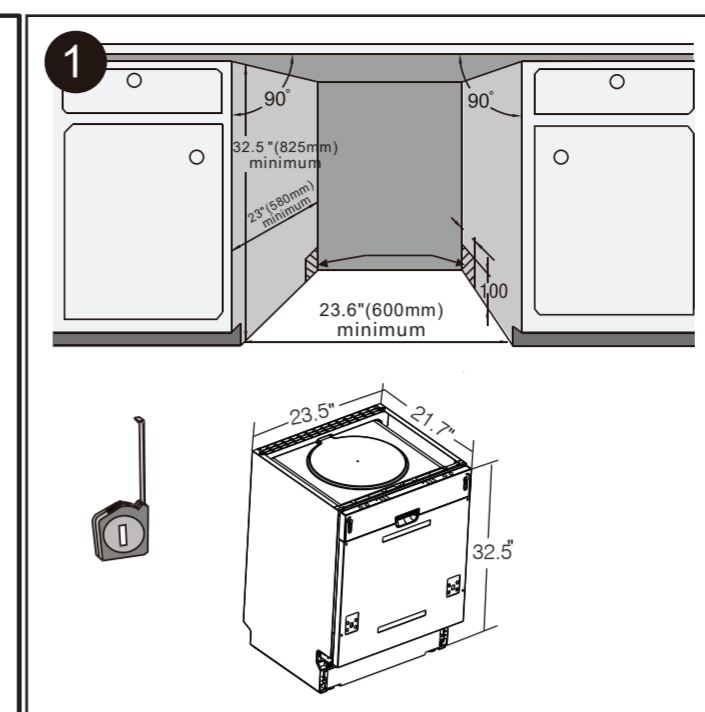


589±1 mm

- | | | | | | | | |
|---|--|----------|-----|----|--|----|--|
| 1 | | ST4X14 | X10 | 7 | | X1 | |
| 2 | | ST3.5X45 | X4 | 8 | | X2 | |
| 3 | | ST3.5X25 | X2 | 9 | | X2 | |
| 4 | | | X2 | 10 | | X2 | |
| 5 | | ST3.9X13 | X2 | 11 | | X1 | |
| 6 | | ST3.5X9 | X2 | | | | |



680mm

690mm

700mm

710mm

720±1 mm