



PRISM HARDSCAPES

Outdoor Living Products

2022 Product Guide



We believe in spaces that are designed for living, making memories, and enjoying life.

Prism Hardscapes is a progressive company that focuses on well designed outdoor living products. We are committed to current architectural trends, visionary designs, coupled with handcrafted techniques that allow for products that are beautiful as well as affordable. We are always at the forefront of exceptional product design, quality, and value in the outdoor living space.

Backed by over 100 years of experience, Natco Home is a family owned business that was established in 1917. Natco Home is one of the largest and most respected companies in the Home Textiles, and Outdoor Living Products industries with wholly owned manufacturing facilities in Georgia, Maine, California and Toronto, as well as several joint ventures in China, Poland, Egypt, Turkey, and Mexico. Natco Home delivers today's hottest home fashion colors and designs at surprisingly affordable price points.

2022 PRODUCT CATALOG

04	Moderno 1	14	Porto 58	28	Fairmont
04	Moderno 2	14	Porto 68	29	Hampton
04	Moderno 3	15	Pentola 1	30	Manchester
04	Moderno 4	15	Pentola 2	32	Curva
05	Moderno 5	15	Pentola 3	33	Glow
05	Moderno 6	15	Scatola	35	Ovale
05	Moderno 8	15	Scatola 2	36	Elevate
05	Moderno 70	16	Embarcadero	38	Poolside Collection
08	Tavola 1	16	Embarcadero (Pedestal)	43	Embarcadero 60
08	Tavola 2	16	Lombard	44	Moderno 70
08	Tavola 3	16	Lombard (Pedestal)	45	Rotondo 80
08	Tavola 4	17	Embarcadero 60	46	Largo 72
10	Tavola 5	17	Pebble	47	Fuego 54
10	Tavola 6	19	Rotondo	47	Fuego 89
10	Tavola 7	20	Piazza	49	Divano
10	Tavola 8	20	Cilindro	50	PH Fire Column
12	Tavola 42	20	Triton	51	Table
12	Tavola 66 Slim	22	Propane Enclosures	52	Color Options
12	Tavola 72 Narrow Series	23	Tuscany Collection	52	Fire Media
12	Tavola 110	24	Falò (Wood Burning Unit)	54	PH-Ignite
		25	EDEL Copper Units	55	Ignition Options

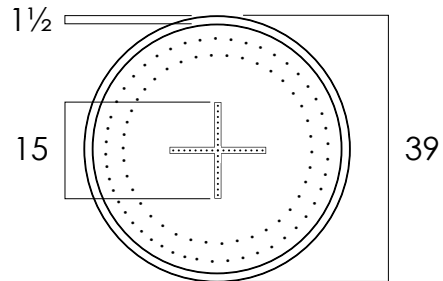
Moderno Collection



Moderno 6

MODERNO 1

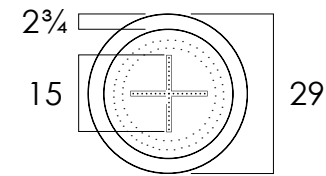
39" D / 18" H / 210 LBS. / SURFACE: 1 1/2" / BURNER: 15"



VENTILATION - 10"

MODERNO 2

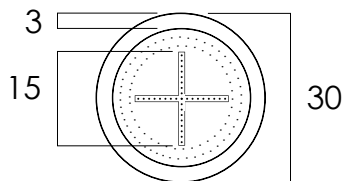
29" D / 12" H / 90 LBS. / SURFACE: 2 3/4" / BURNER: 15"



VENTILATION - 3 1/2"

MODERNO 3

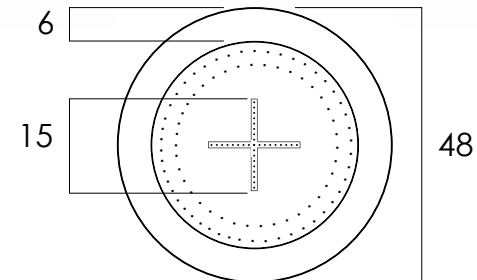
30" D / 18" H / 125 LBS. / SURFACE: 3" / BURNER: 15"



VENTILATION - 3 1/2"

MODERNO 4

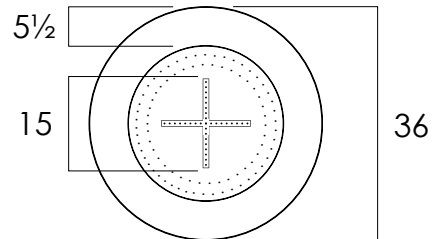
48" D / 17" H / 400 LBS. / SURFACE: 6" (also 4") / BURNER: 18"



VENTILATION - 7"

MODERNO 5

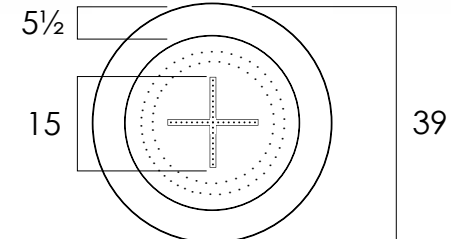
36" D / 16" H / 250 LBS. / SURFACE: 5 ½" / BURNER: 15"



VENTILATION - 4"

MODERNO 6

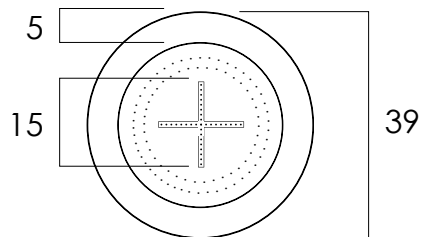
39" D / 15" H / 275 LBS. / SURFACE: 5 ½" / BURNER: 15"



VENTILATION - 14 ½"

MODERNO 8

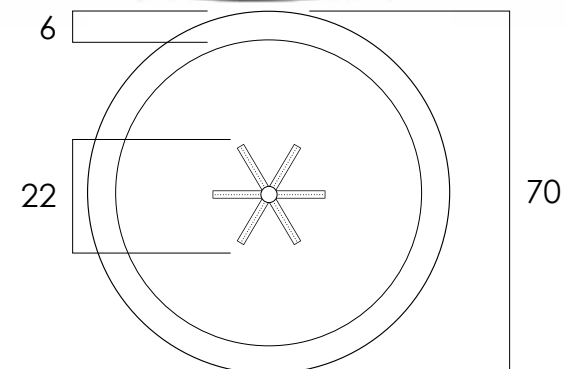
39" D / 18" H / 225 LBS. / SURFACE: 5" / BURNER: 15"



VENTILATION - 10 ½"

MODERNO 70

70" D / 18" H / 650 LBS. / SURFACE: 6" (also 14") / BURNER: 22"





Moderno 4

Tavola Collection



TAVOLA 1

38" W / 56" L / 16" H / 360 LBS.
SURFACE: 11" / BURNER: 24"

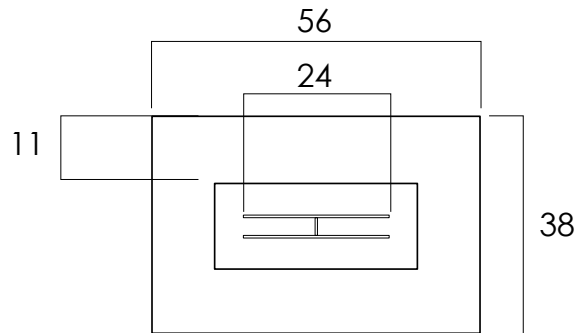


TAVOLA 2

36" W / 36" L / 16" H / 240 LBS.
SURFACE: 8 1/4" / BURNER: 15"

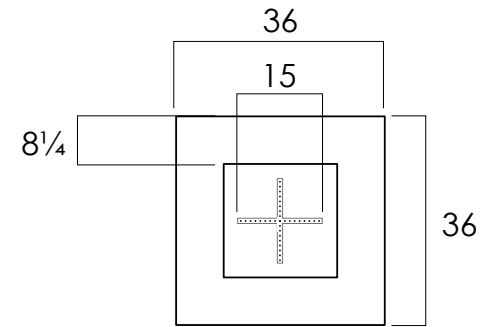


TAVOLA 3

48" W / 48" L / 16" H / 450 LBS.
SURFACE: 11" / BURNER: 18"

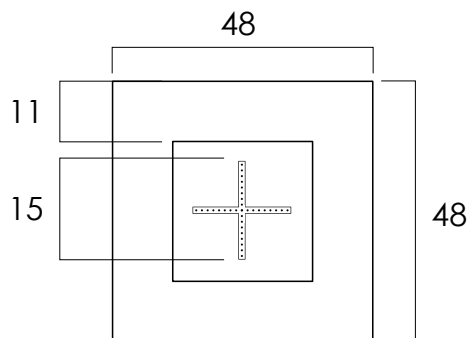


TAVOLA 4

38" W / 66" L / 16" H / 500 LBS.
SURFACE: 16"/11" / BURNER: 24"

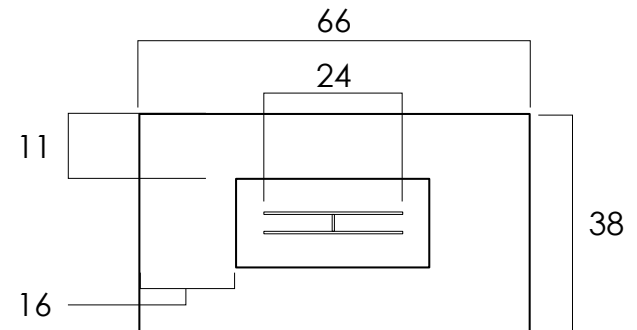




Tavola 4

TAVOLA 5

38" W / 80" L / 16" H / 650 LBS.
SURFACE: 11"/33 3/4" / BURNER: 24"

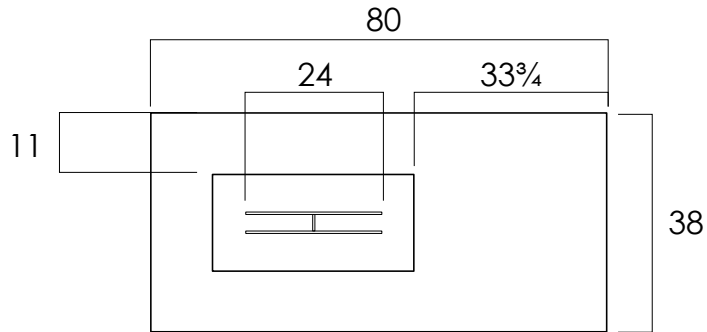


TAVOLA 6

38" W / 90" L / 16" H / 650 LBS.
SURFACE: 11" / BURNER: 60"

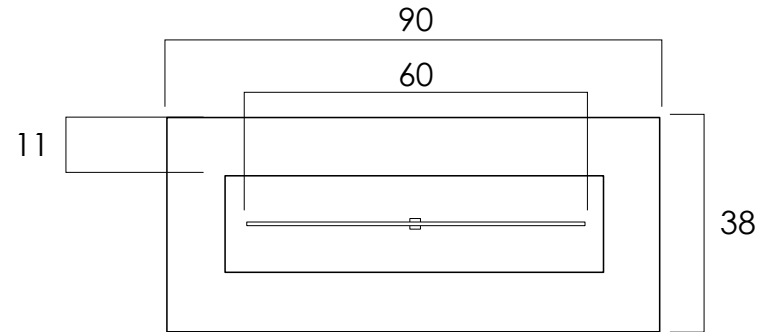


TAVOLA 7

50" W / 60" L / 16" H / 500 LBS.
SURFACE: 16" / BURNER: 24"

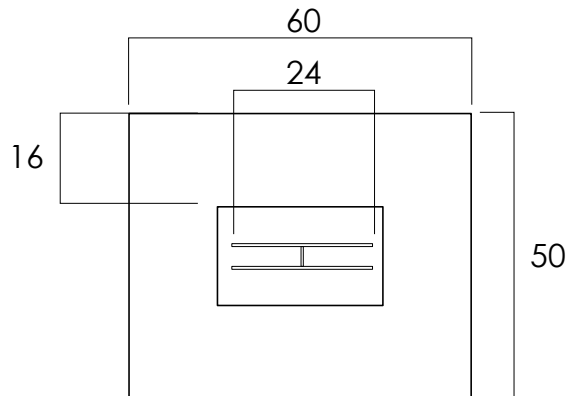


TAVOLA 8

32" W / 60" L / 16" H / 320 LBS.
SURFACE: 13"/8" / BURNER: 24"

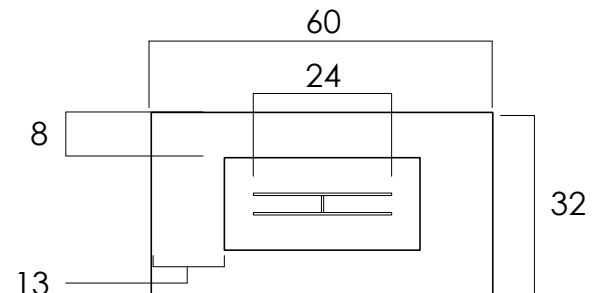
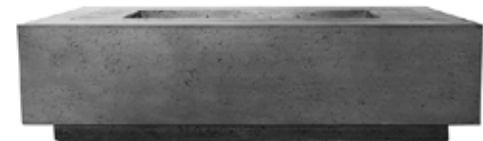


Tavola 72 Narrow



TAVOLA 42

42" W / 42" L / 16" H / 300 LBS.
SURFACE: 11 3/4" / BURNER: 15"

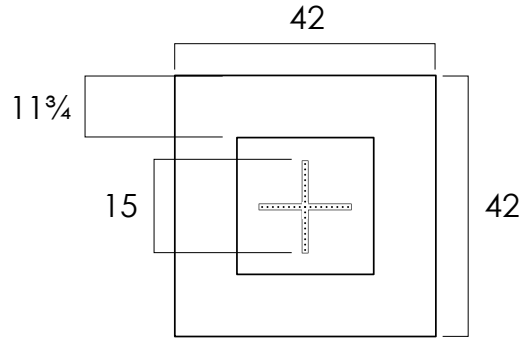


TAVOLA 66 SLIM

29 3/4" W / 66" L / 13 1/4" H / 320 LBS.
SURFACE: 16" / 8 1/4" / BURNER: 24"

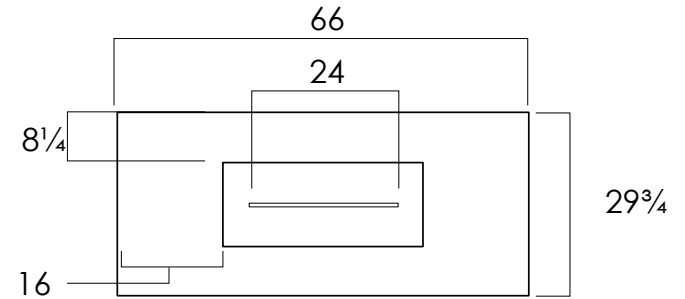


TAVOLA 72 NARROW

24" W / 72" L / 16" H / 400 LBS.
SURFACE: 12" / 6" / BURNER: 37"

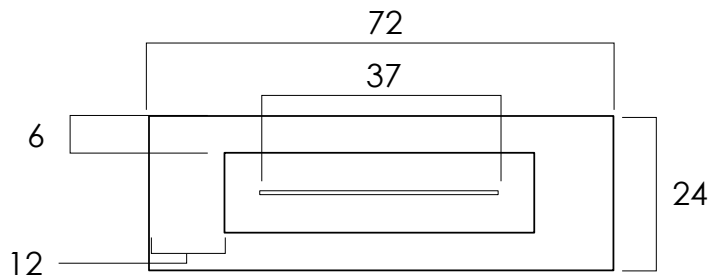
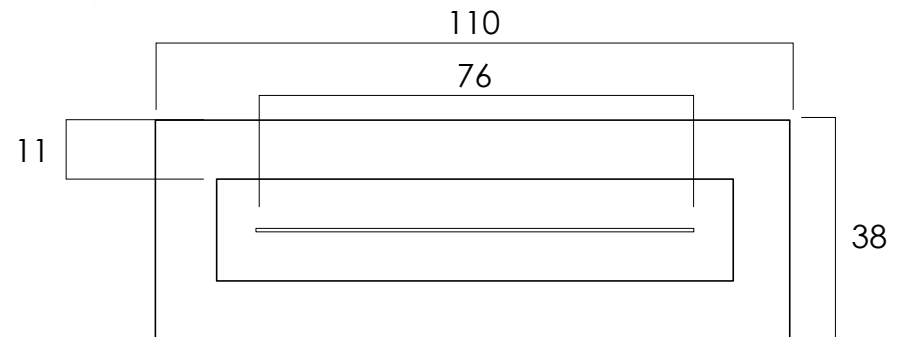
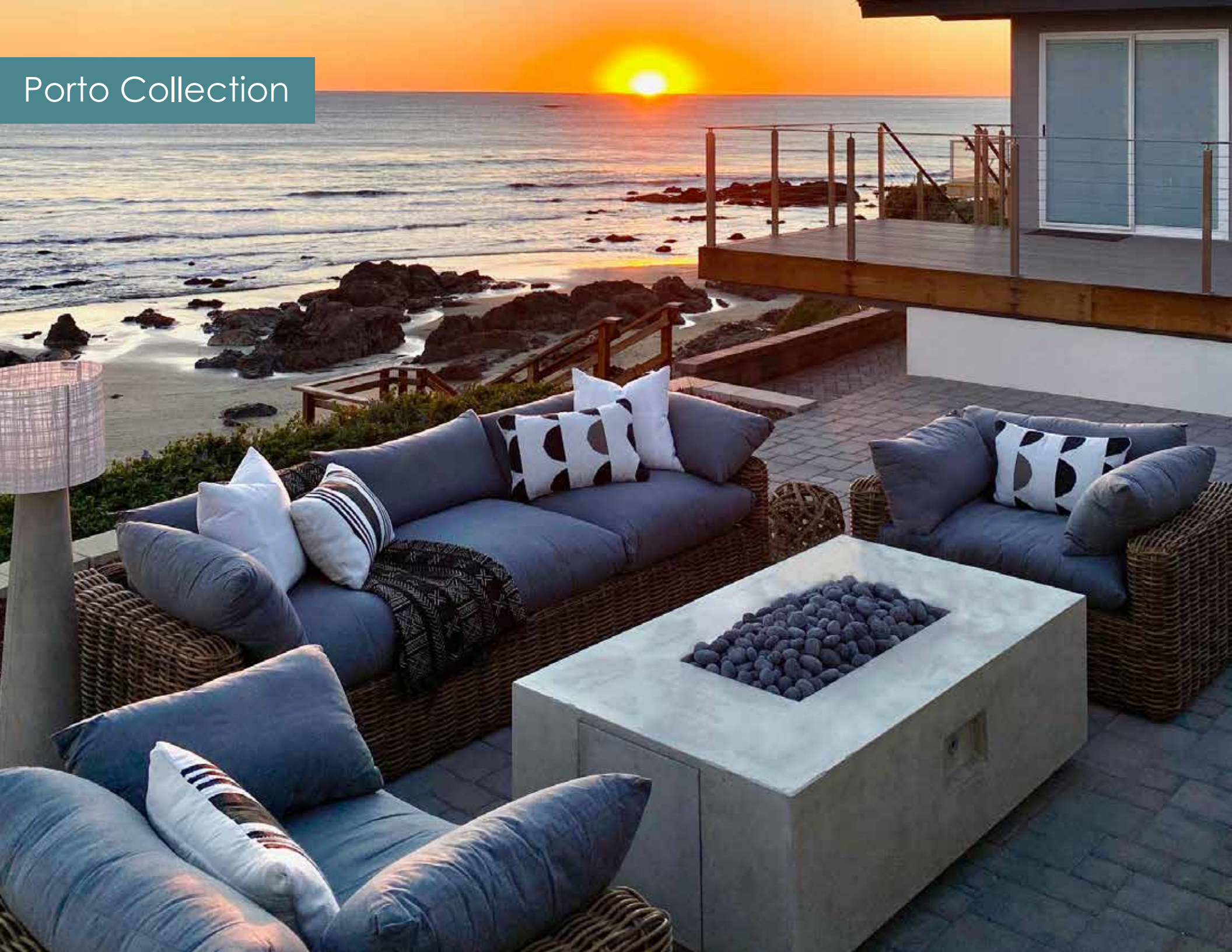


TAVOLA 110

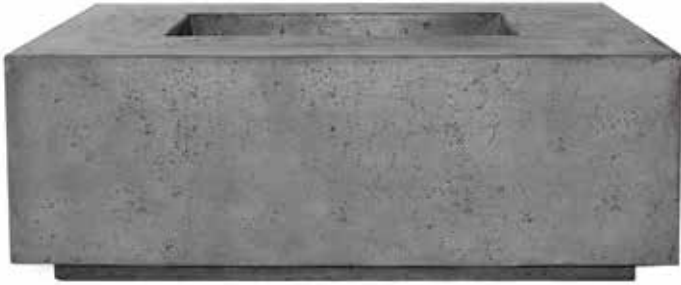
38" W / 110" L / 16" H / 750 LBS.
SURFACE: 11" / BURNER: 76"



Porto Collection

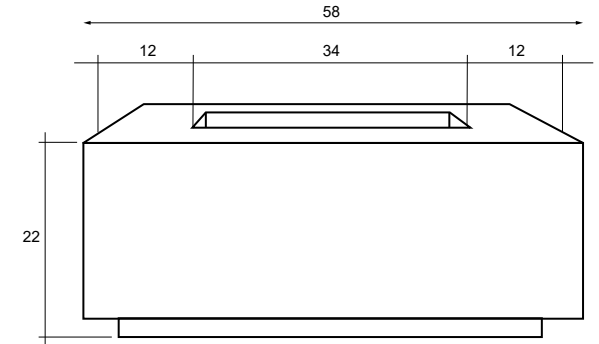


Porto 58 (Enclosed Propane Unit)



SPECIFICATIONS

Width	38"
Length	58"
Height	22"
Surface	12"/11"
Burner Size	24"/65,000 BTUs
Weight	450 lbs.
Fuel Source	Enclosed propane unit
Ignition	Key valve
Material	Glass fiber reinforced concrete
Media	Lava rock

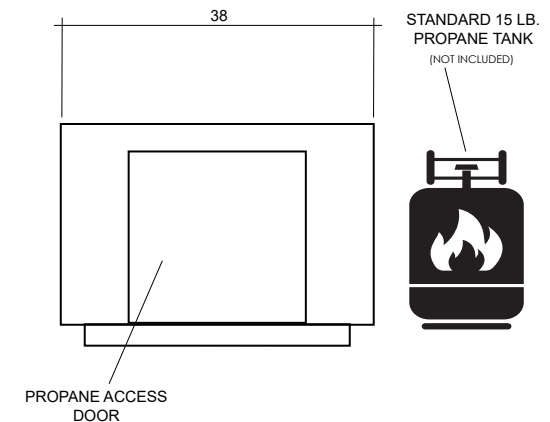
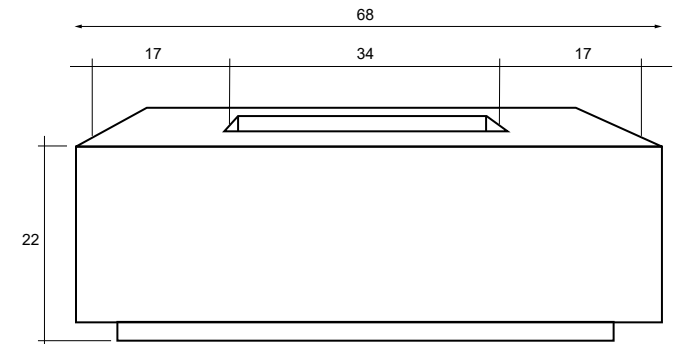


Porto 68 (Enclosed Propane Unit)



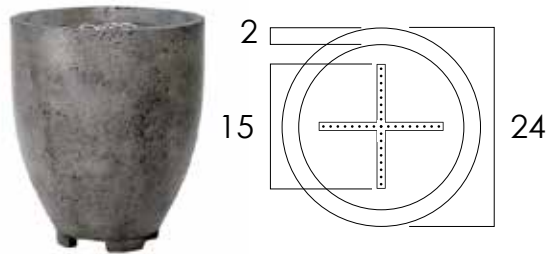
SPECIFICATIONS

Width	38"
Length	68"
Height	22"
Surface	17"/11"
Burner Size	24"/65,000 BTUs
Weight	550 lbs.
Fuel Source	Enclosed propane unit
Ignition	Key valve
Material	Glass fiber reinforced concrete
Media	Lava rock



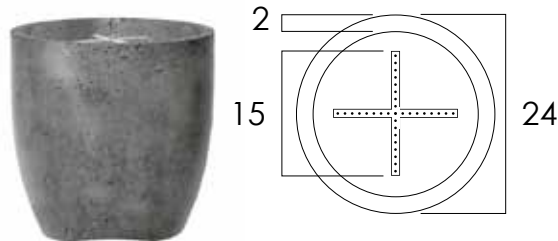
PENTOLA 1

24" D / 28" H / 150 LBS.
SURFACE: 2" / BURNER: 15"



PENTOLA 2

24" D / 21" H / 125 LBS.
SURFACE: 2" / BURNER: 15"

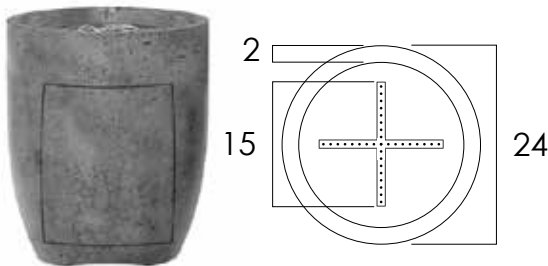


Pentola 1



PENTOLA 3

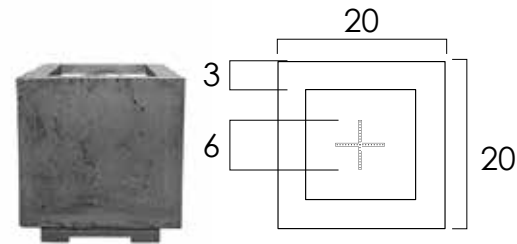
24" D / 26" H / 135 LBS.
SURFACE: 2" / BURNER: 15"
ENCLOSED PROPANE UNIT
(NOT INCLUDED)



Compatible with
15 lb. propane tanks

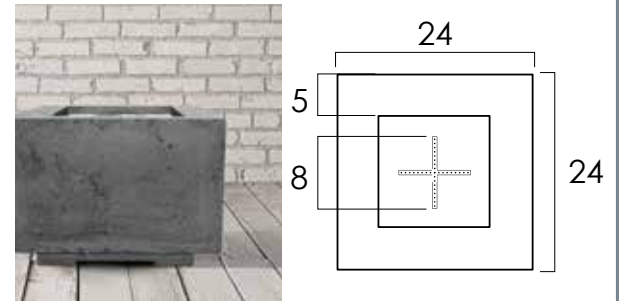
SCATOLA

20" W / 20" L / 18" H / 130 LBS.
SURFACE: 3" / BURNER: 6"



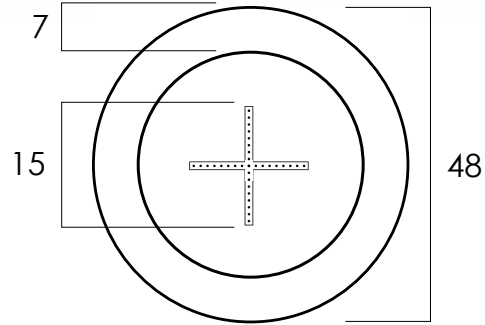
SCATOLA 2

24" W / 24" W / 16" H / 110 LBS.
SURFACE: 5" / BURNER: 8"



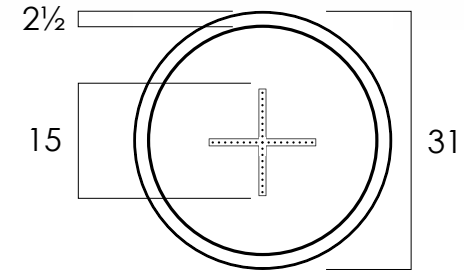
EMBARCADERO

48" D / 15" H / 225 LBS.
SURFACE: 7" / BURNER: 18"



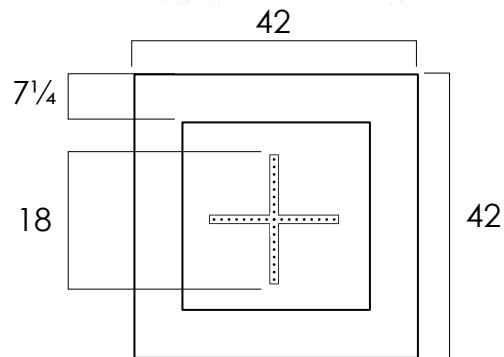
EMBARCADERO PEDESTAL

31" D / 10" H / 90 LBS.
SURFACE: 2 1/2" / BURNER: 15"



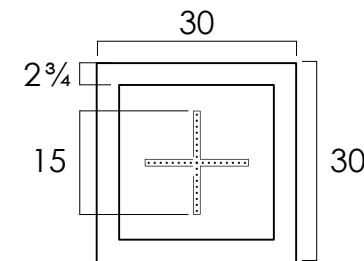
LOMBARD

42" W / 42" L / 17 1/2" H / 280 LBS.
SURFACE: 7 1/4" / BURNER: 18"



LOMBARD PEDESTAL

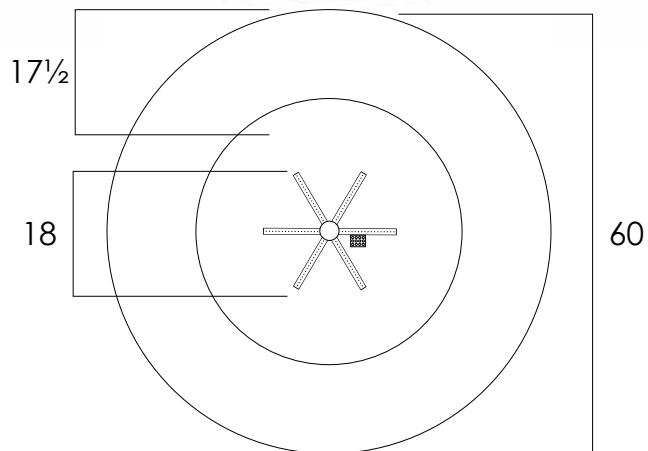
30" W / 30" L / 11" H / 90 LBS.
SURFACE: 2 3/4" / BURNER: 15"





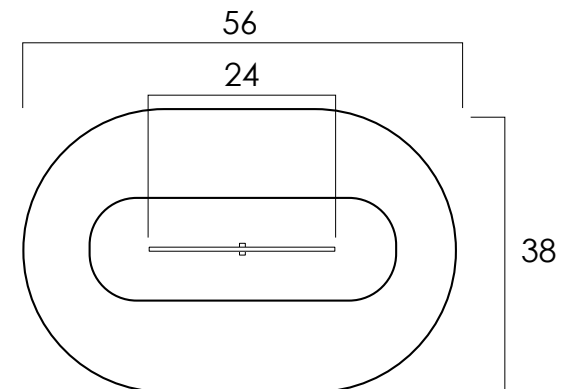
EMBARCADERO 60

60" D / 16" H / 350 LBS. / SURFACE: 17 1/2" / BURNER: 18"

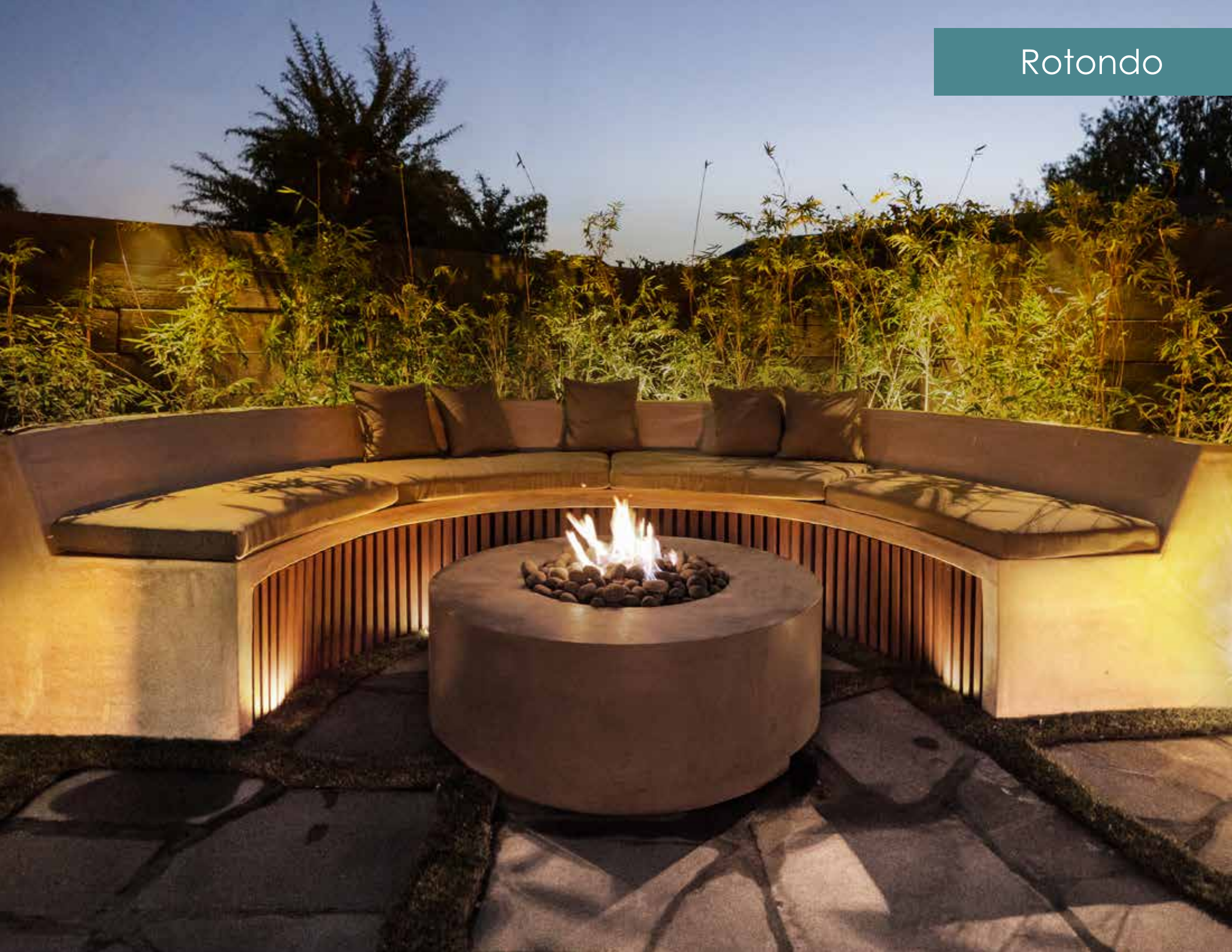


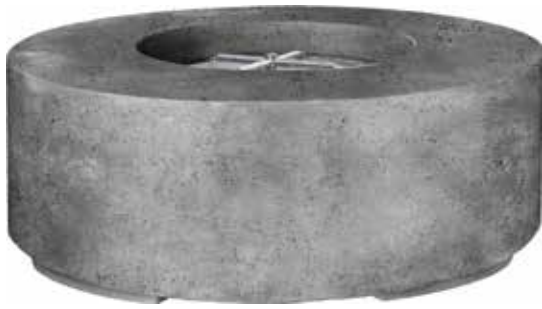
PEBBLE

38" W / 56" L / 16" H / 350 LBS. / BURNER: 24"



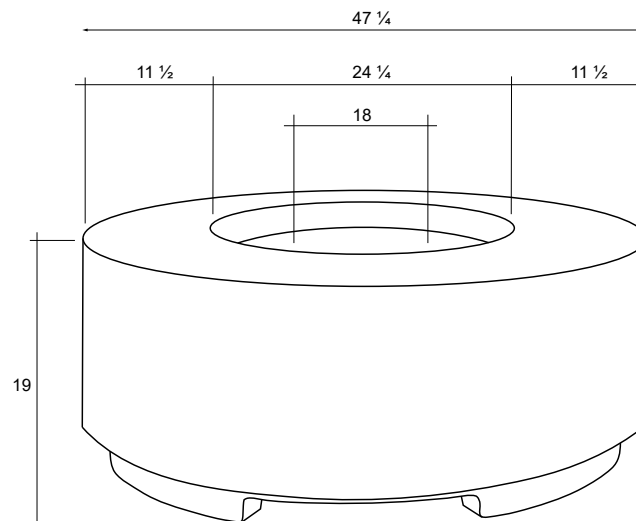
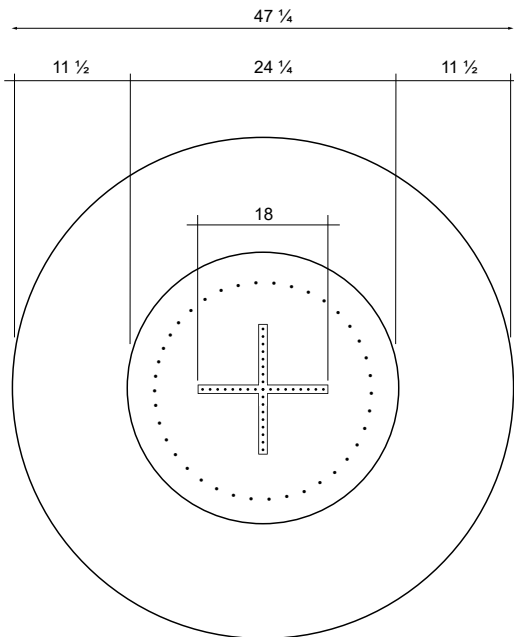
Rotondo





SPECIFICATIONS

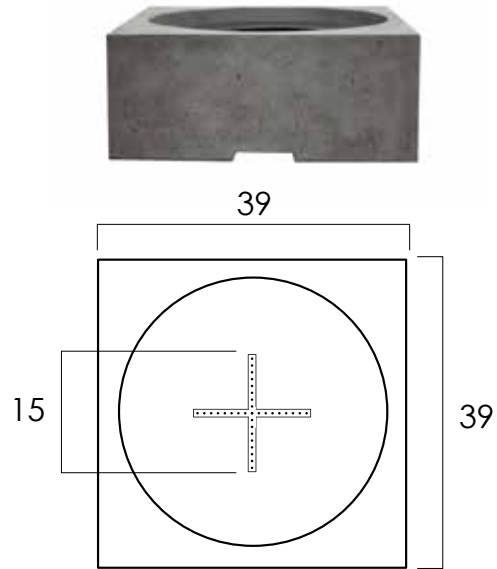
Diameter	47 ¼"
Height	19"
Surface	11 ½"
Burner Size	18"/65,000 BTUs
Weight	430 lbs.
Fuel Source	LP or NG
Ignition	Key valve
Material	Glass fiber reinforced concrete
Media	Lava rock



Rotondo

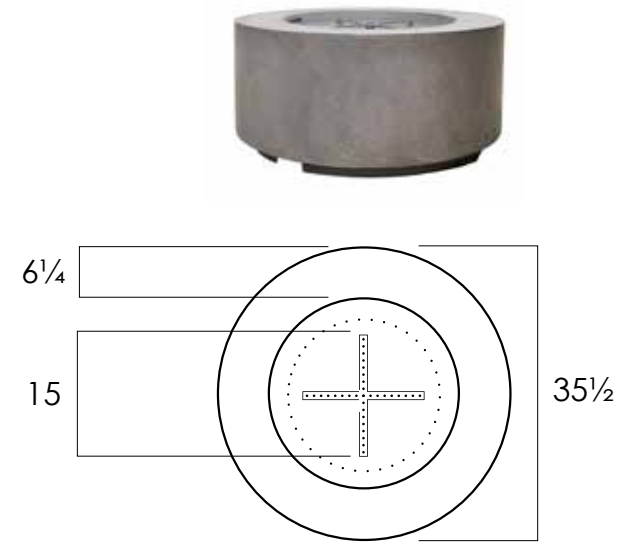
PIAZZA

39" W / 39" L / 15 ¾" H / 360 LBS. / BURNER: 15"



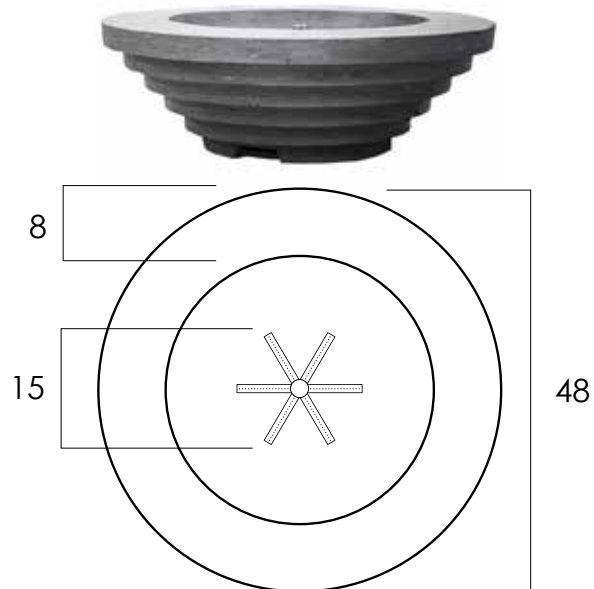
CILINDRO

35 ½" D / 16 ½" H / 350 LBS. / SURFACE: 6 ¼" / BURNER: 15"



TRITON

48" D / 18" H / 400 LBS. / SURFACE: 8" / BURNER: 15"



Piazza



Mod

Propane Enclosures



TAV

TAV SPECIFICATIONS

Width	20"
Height	22"
Weight	100 lbs.
Material	Glass fiber reinforced concrete



MOD

MOD SPECIFICATIONS

Diameter	20 1/4"
Height	22"
Weight	100 lbs.
Material	Glass fiber reinforced concrete



SAUSALITO

SAUSALITO SPECIFICATIONS

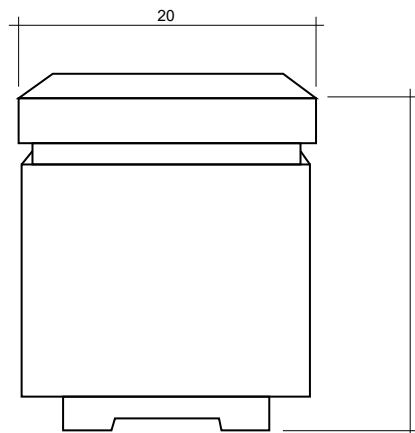
Width	16"
Height	21"
Weight	100 lbs.
Material	Glass fiber reinforced concrete



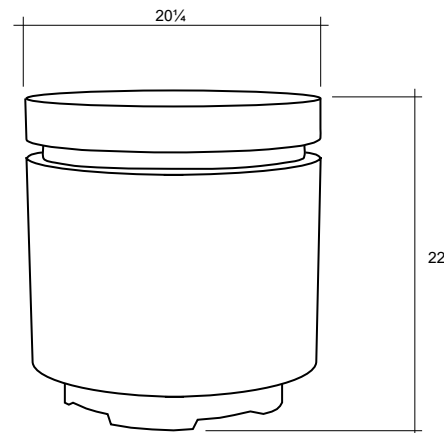
ORINDA

ORINDA SPECIFICATIONS

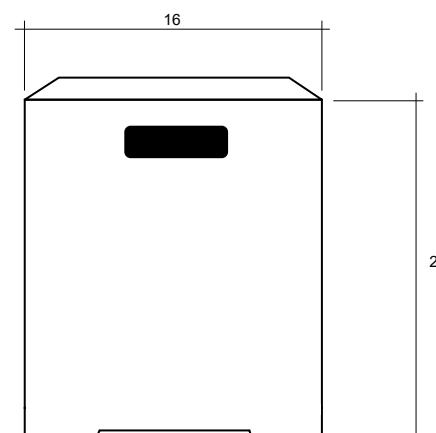
Diameter	15"
Height	18 1/2"
Weight	100 lbs.
Material	Glass fiber reinforced concrete



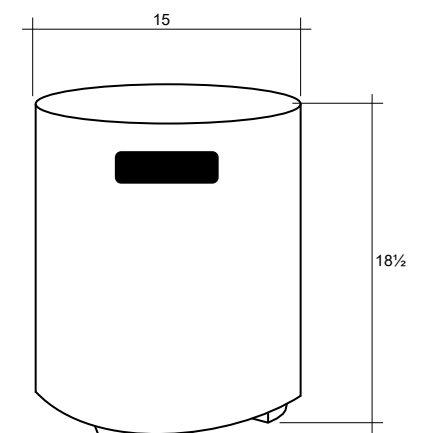
Tav



Mod



Sausalito



Orinda

Tuscany Collection



Introducing a new look for Prism Hardscapes fire features, the Tuscany Collection is a set of five models with a new textured finish. Fire features in the Tuscany Collection are available in 4 colors but will offer the same features as the regular models.

Models:

- Cilindro
- Rotondo
- Tavola 4
- Tavola 42
- Moderno 4



Coastal (New Color)



Ebony

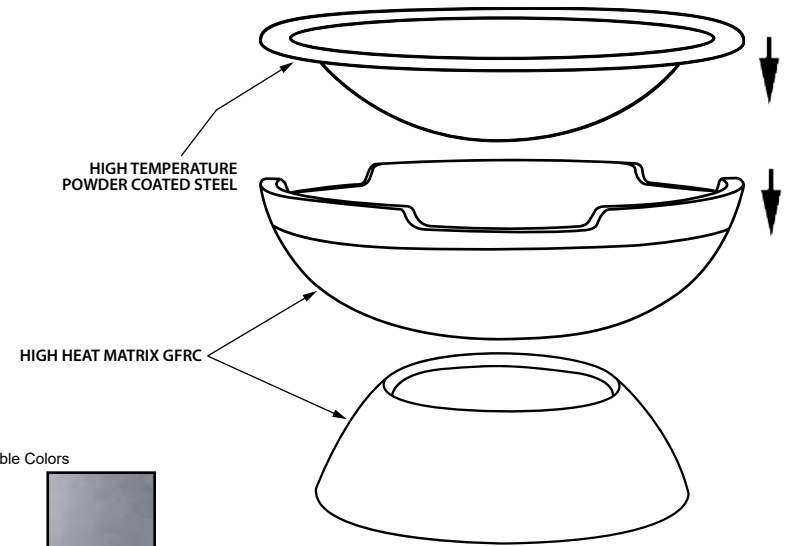
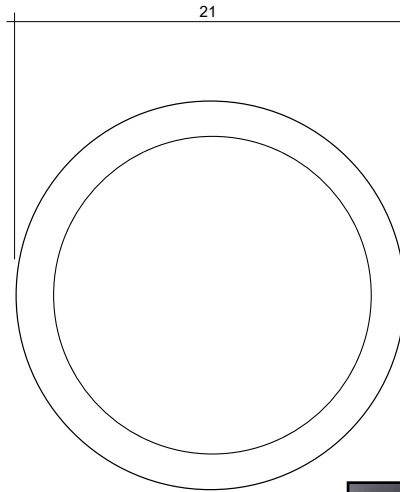


Pewter



Ultra White

Falò (Wood Burning)



SPECIFICATIONS

Diameter	21"
Height	10½"
Weight	30 lbs.
Fuel Source	Wood
Material	Glass fiber reinforced concrete
Burner Pan	High temp powder coated steel



LIGHT WEIGHT



QUICK ASSEMBLY



RUST RESISTANT



FROST RESISTANT



EASY DISPOSAL



HEAT RESISTANT



create the perfect environment

- fire anytime, anywhere.

With Falò's lightweight and portable design, you can create the perfect lighting, warmth and ambiance for an evening with friends & family.

- modern design

Falò uses the perfect blend of design and modern materials to create the lightweight, sleek look of the fire bowl, while maintaining the integrity of the materials under extreme conditions.

- portability

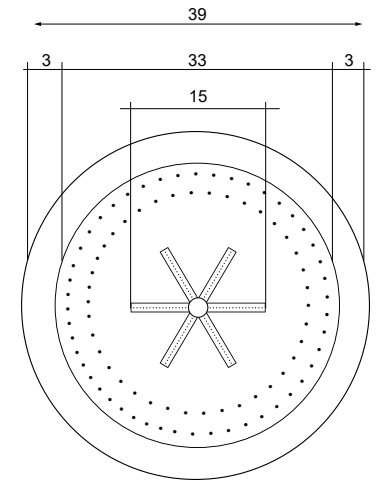
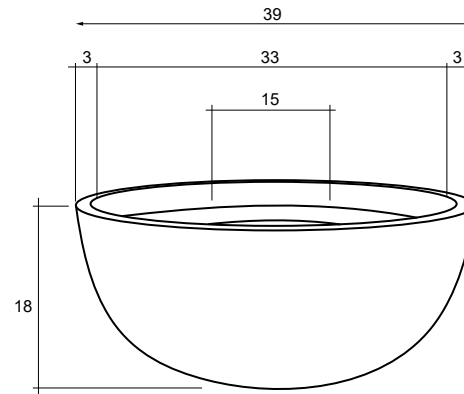
Falò uses state of the art technology to create the perfect accessory for your outdoor setting. Lightweight yet strong, use Falò at your home, or take it with you for an outdoor adventure. Falò's quick assembly allows for easy travel and set up.



MODERNO 1

SPECIFICATIONS

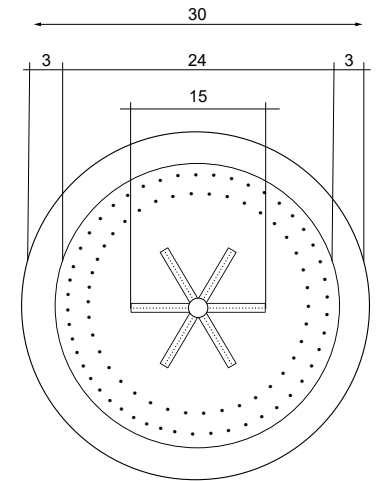
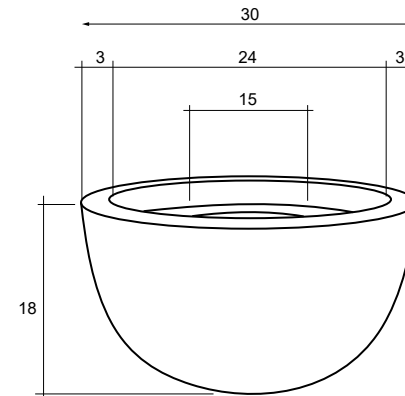
Diameter	39"
Surface	3"
Height	18"
Burner Size	15"/65,000 BTUs
Weight	71 lbs.
Fuel Source	LP or NG
Ignition	Key valve
Material	Bush hammered copper
Media	Tumbled lava rock



MODERNO 3

SPECIFICATIONS

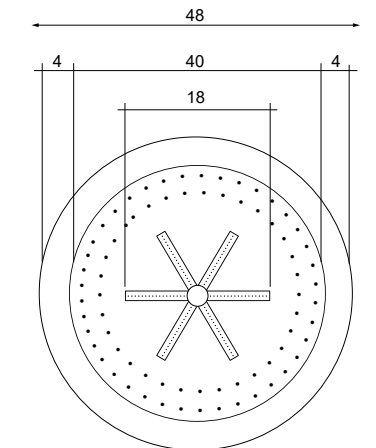
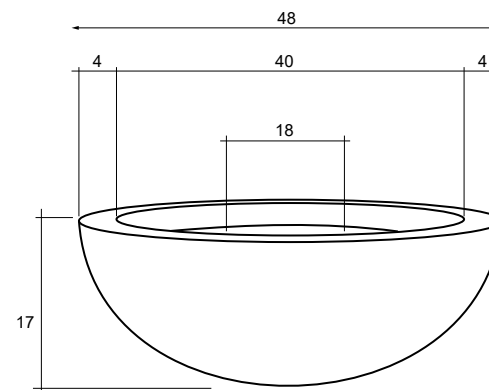
Diameter	30"
Surface	3"
Height	18"
Burner Size	15"/65,000 BTUs
Weight	51 lbs.
Fuel Source	LP or NG
Ignition	Key valve
Material	Bush hammered copper
Media	Tumbled lava rock



MODERNO 4

SPECIFICATIONS

Diameter	48"
Surface	4"
Height	17"
Burner Size	18"/65,000 BTUs
Weight	102 lbs.
Fuel Source	LP or NG
Ignition	Key valve
Materials	Bush hammered copper
Media	Tumbled lava rock



Designer Collaborations

Prism Hardscapes has teamed up with forward-thinking designers to bring modern, cutting-edge designs to the marketplace. New and distinct design elements will be the key feature for these new products that are sure to be a beautiful addition to any outdoor lounge space. Explore the creations that have resulted from the collaboration between Prism Hardscapes and some of the top creative minds in the outdoor living space industry today.



Elements Collection by Mike Pyle

Our Elements Collection offers beautiful pieces that combine 3 main elements: wood, concrete, and metal. A stout powder-coated metal frame is the foundation for all of the collection's fire features. Sturdy glass fiber reinforced concrete makes for a durable yet smooth-looking top centerpiece, while South American hardwood adds a decorative and refined appearance. The contrasting organic and industrial elements combine to create a look that is both intriguing and timeless.



Fairmont



Hampton



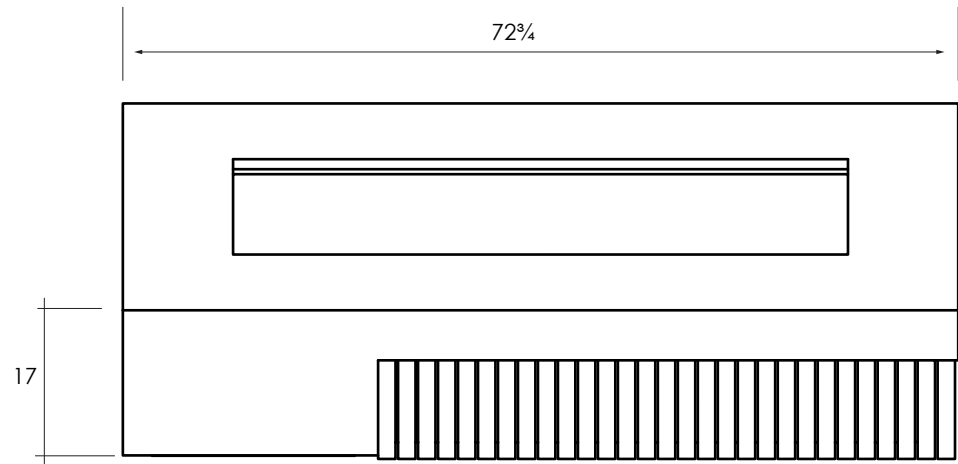
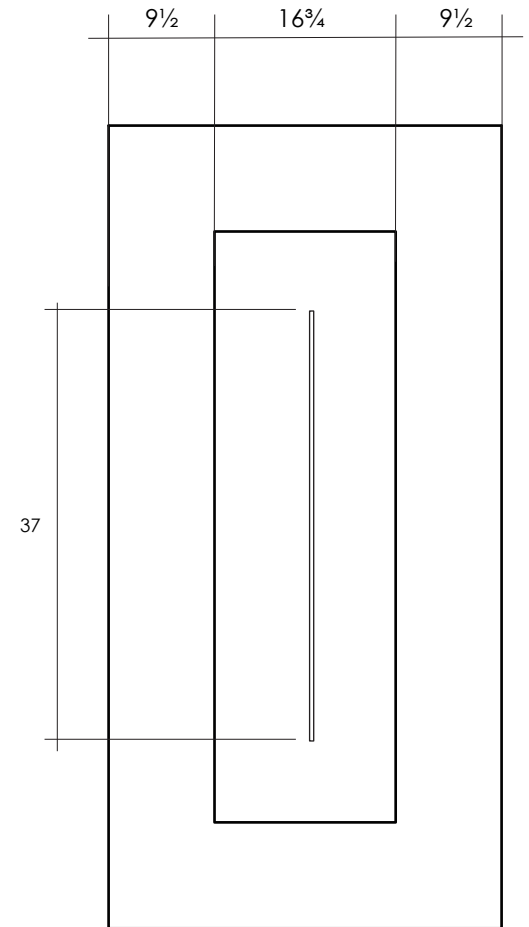
Manchester

Fairmont



SPECIFICATIONS

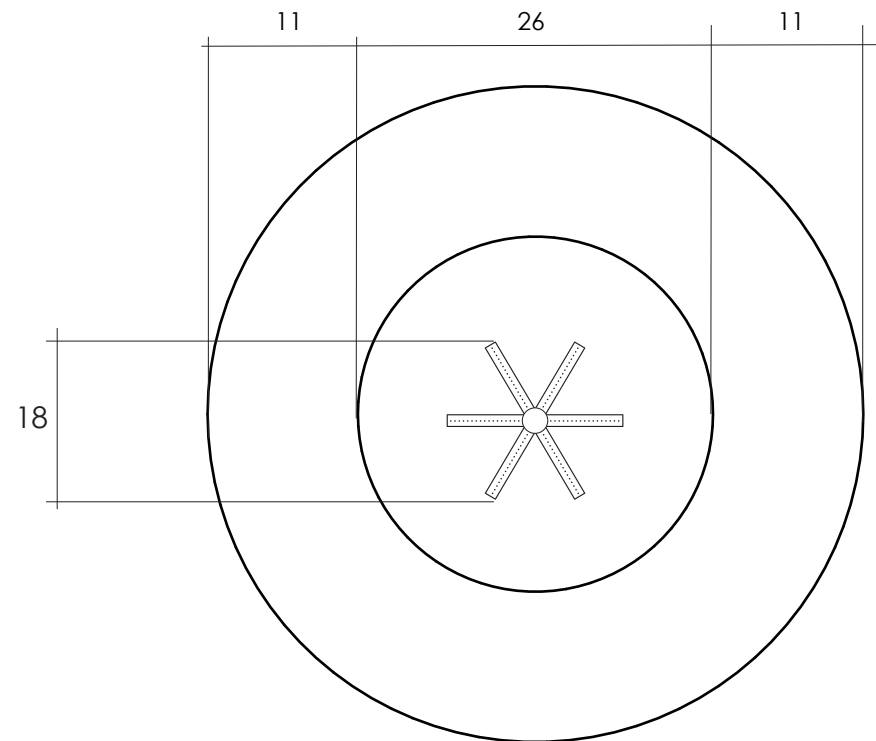
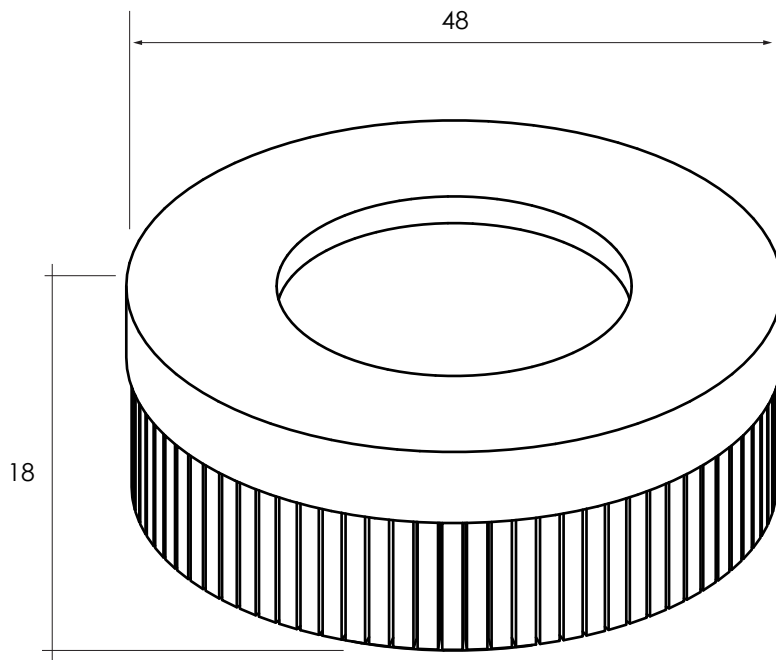
Width	35 $\frac{3}{4}$ "
Length	72 $\frac{3}{4}$ "
Height	17"
Surface	9 $\frac{1}{2}$ "
Burner Size	37"/65,000 BTUs
Weight	450 lbs.
Fuel Source	LP or NG
Ignition	Key valve
Materials	Glass fiber reinforced concrete Brazilian wood (outer) Metal frame (inner)
Media	Tumbled lava rock



Hampton

SPECIFICATIONS

Diameter	48"
Height	18"
Surface	11"
Burner Size	18"/65,000 BTUs
Weight	430 lbs.
Fuel Source	LP or NG
Ignition	Key valve
Materials	Glass fiber reinforced concrete Brazilian wood (outer) Metal frame (inner)
Media	Tumbled lava rock

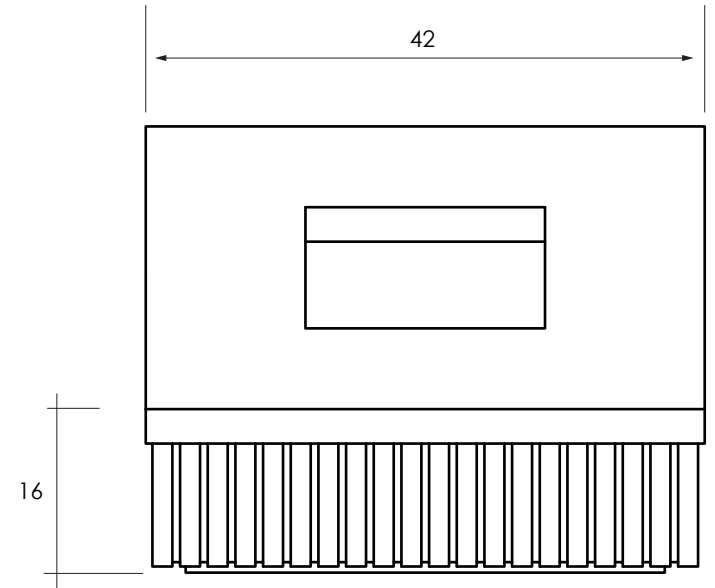
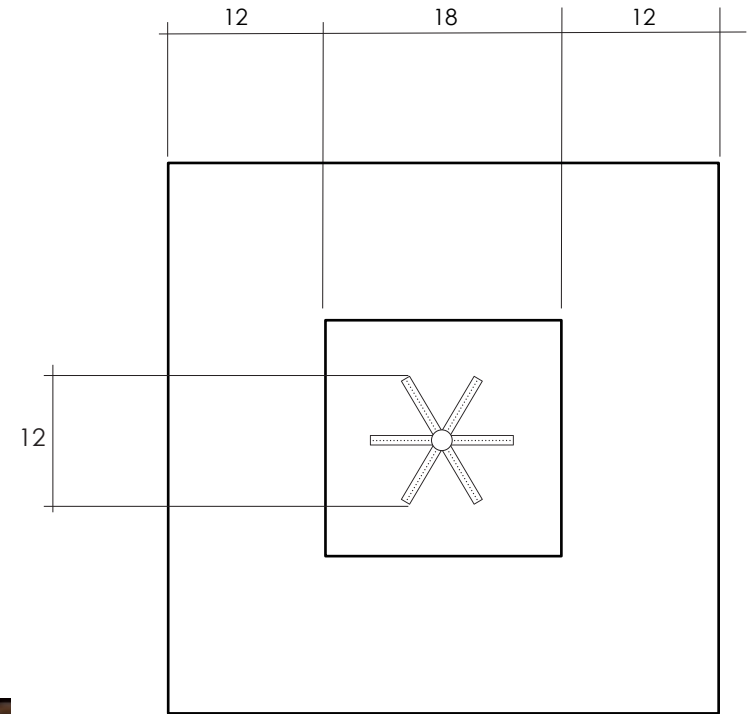


Manchester

SPECIFICATIONS

Width	42"
Length	42"
Height	16"
Surface	12"
Burner Size	12"/65,000 BTUs

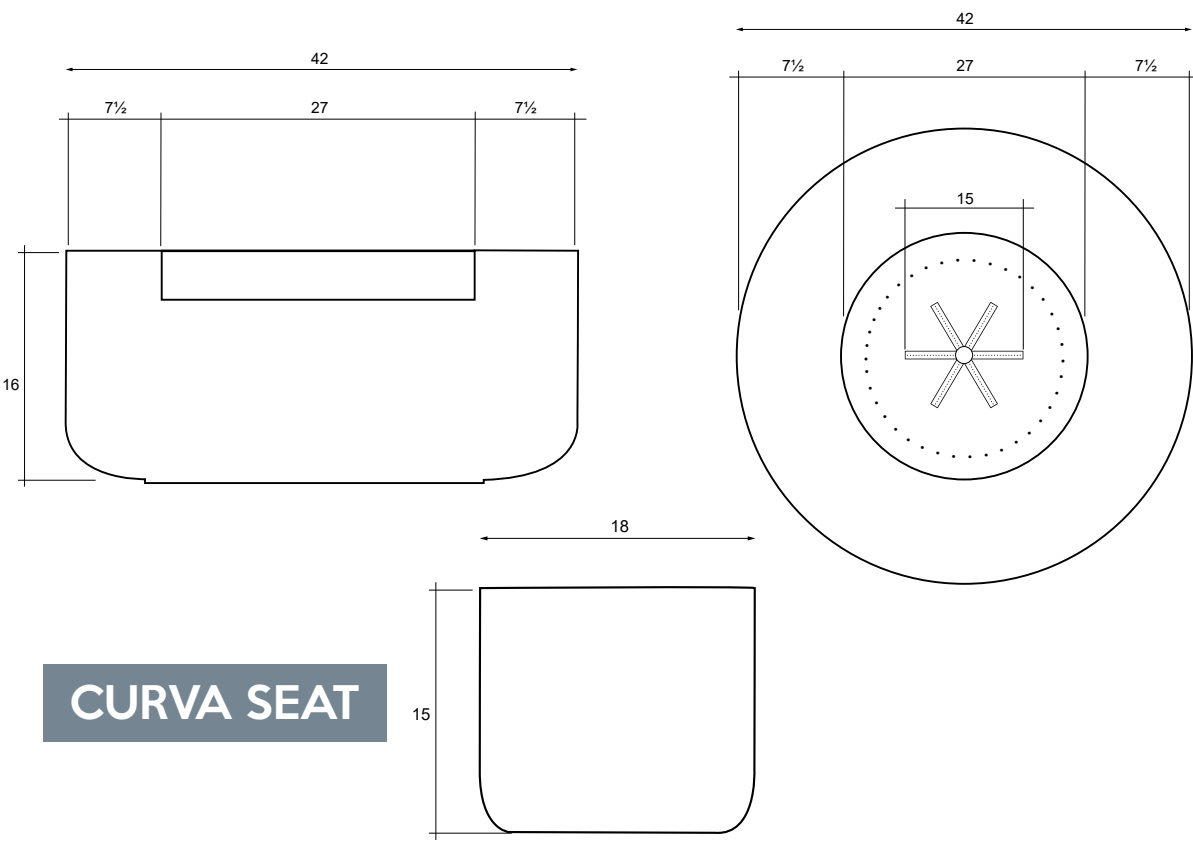
Weight	450 lbs.
Fuel Source	LP or NG
Ignition	Key valve
Materials	Glass fiber reinforced concrete Brazilian wood (outer) Metal frame (inner)
Media	Tumbled lava rock



Modern Collection by Zachary Alan

The Modern Collection by Zachary Alan brings the newest modern designs to Prism Hardscapes. Smooth curves are a signature of this collection and distinguishes it from anything else on the market today. Great design and exceptional craftsmanship have the power to bring people together, creating meaningful conversation and lasting memories.





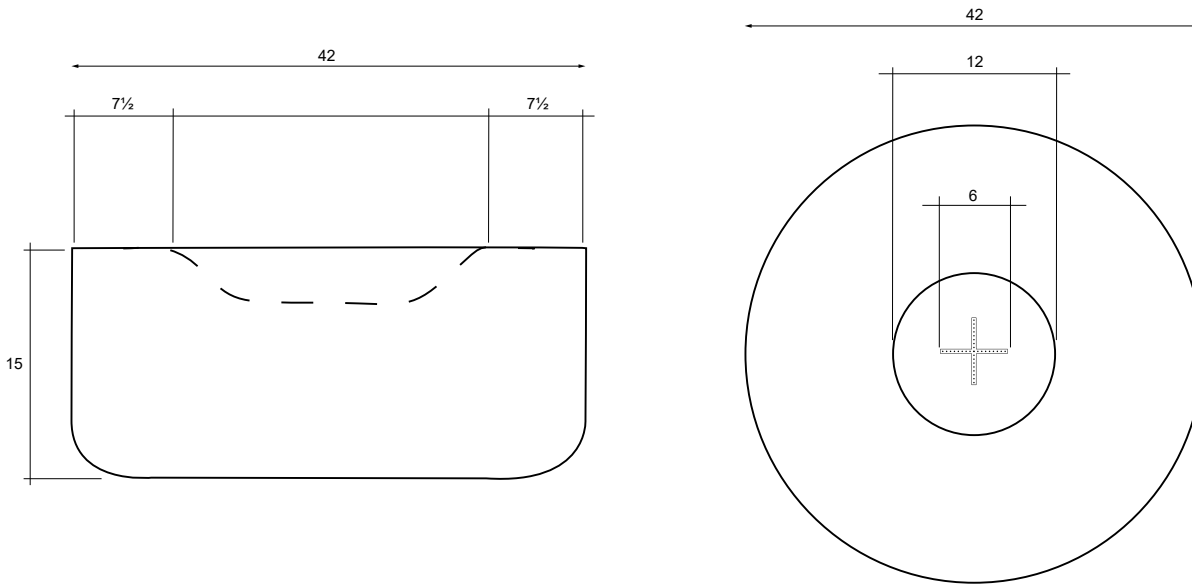
Curva

SPECIFICATIONS

Diameter	42" (36" & 48" also available)
Height	16"
Surface	7 1/2"
Burner Size	15"/65,000 BTUs
Weight	210 lbs.
Fuel Source	Liquid Propane or Natural Gas
Ignition	Manual Light (key valve) - Electronic Ignition available
Material	Glass fiber reinforced concrete
Media	Lava rock



Glow



SPECIFICATIONS

Diameter	42" (36" & 48" also available)
Height	15"
Surface	7 1/2"
Burner Size	6"/65,000 BTUs
Weight	250 lbs.
Fuel Source	Liquid Propane or Natural Gas
Ignition	Manual Light (key valve) - Electronic Ignition available
Material	Glass fiber reinforced concrete
Media	Lava rock



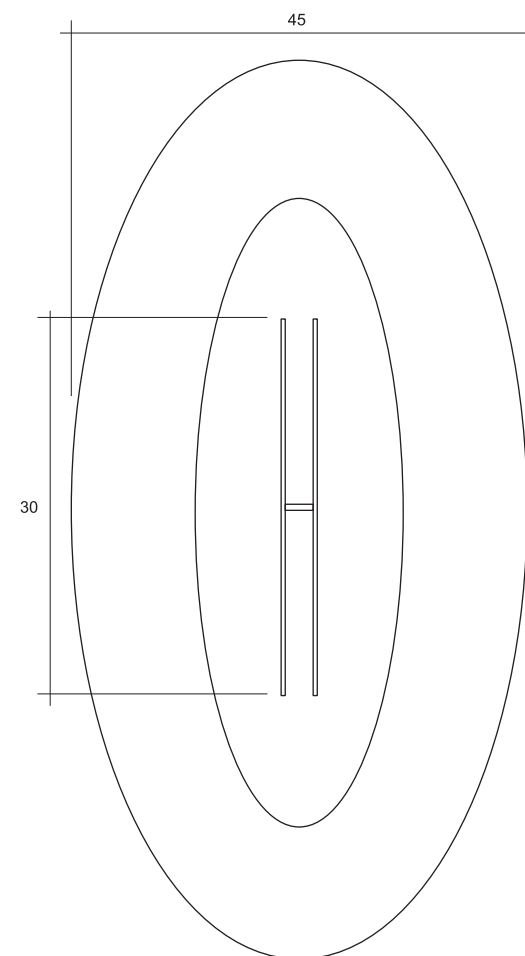
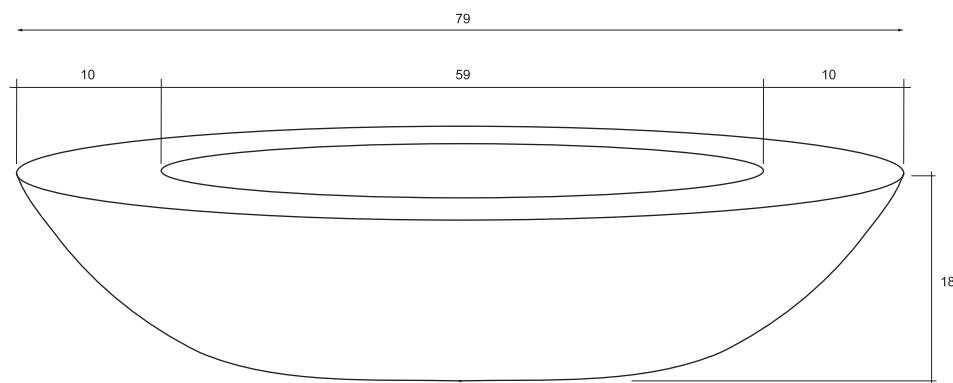


Glow

Ovale

SPECIFICATIONS

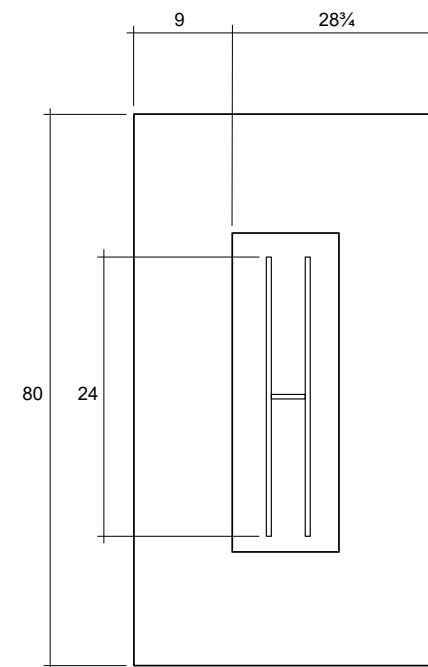
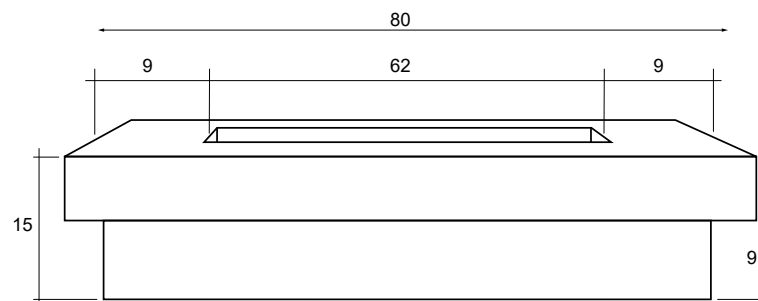
Width	45"
Length	79" (60" Also Available)
Height	18"
Surface	10"
Burner Size	30"/65,000 BTUs
Weight	320 lbs.
Fuel Source	LP or NG
Ignition	PH-Ignite (Electronic)/Key valve
Material	Glass fiber reinforced concrete
Media	Tumbled lava rock



Elevate

SPECIFICATIONS

Width	37 $\frac{1}{4}$ "
Length	80"
Height	15"
Surface	9"
Burner Size	24"/65,000 BTUs
Weight	650 lbs.
Fuel Source	Liquid Propane or Natural Gas
Ignition	Manual Light (key valve) - Electronic Ignition available
Material	Glass fiber reinforced concrete
Media	Lava rock



Poolside Collection

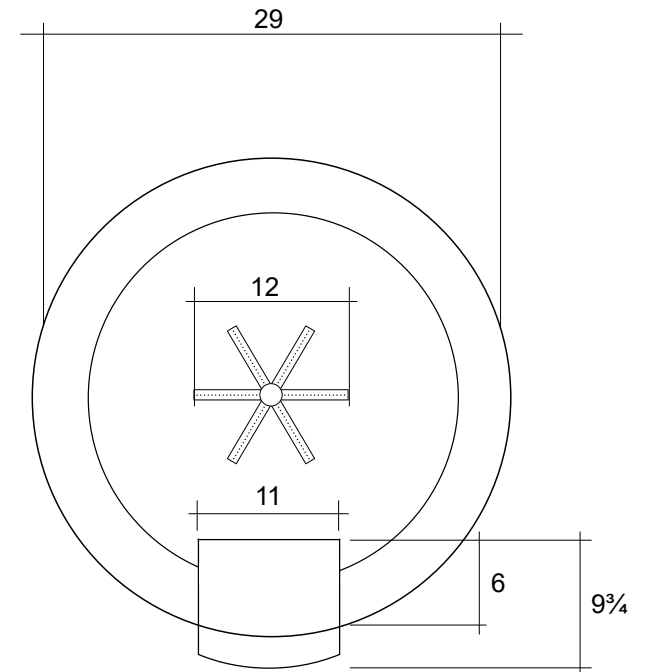
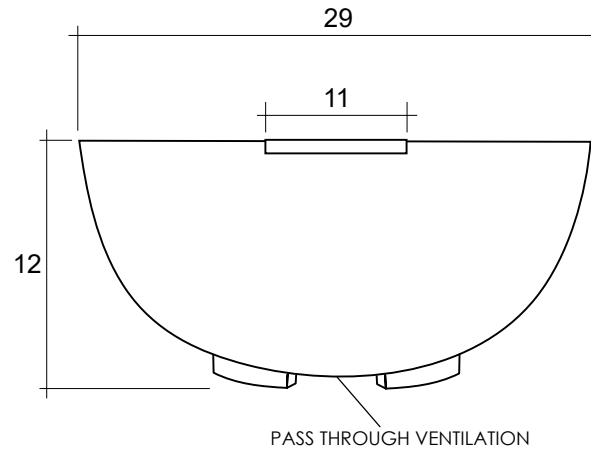
We bring two elements of a beautiful poolside area with our Poolside Collection. Live in the lap of luxury with the combination of fire and water that will dazzle the night and allow you to relax to the soothing sounds of falling water. Enjoy our most popular designs with this new addition to our diverse lineup of products.



Moderno 2-P

SPECIFICATIONS

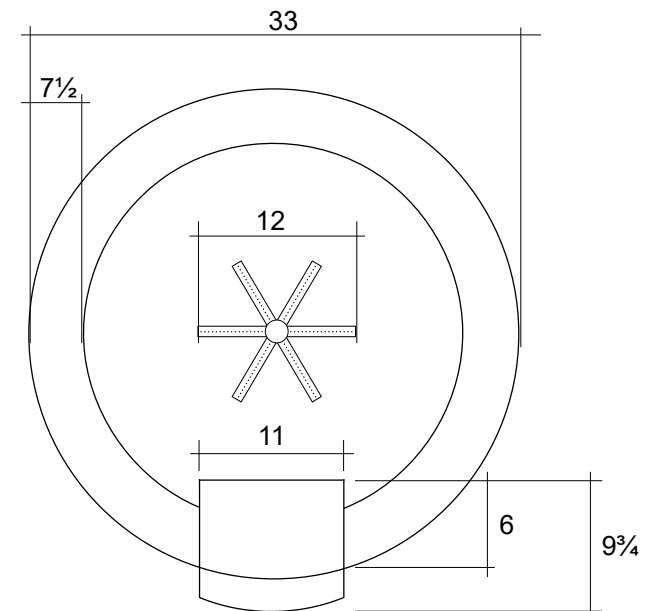
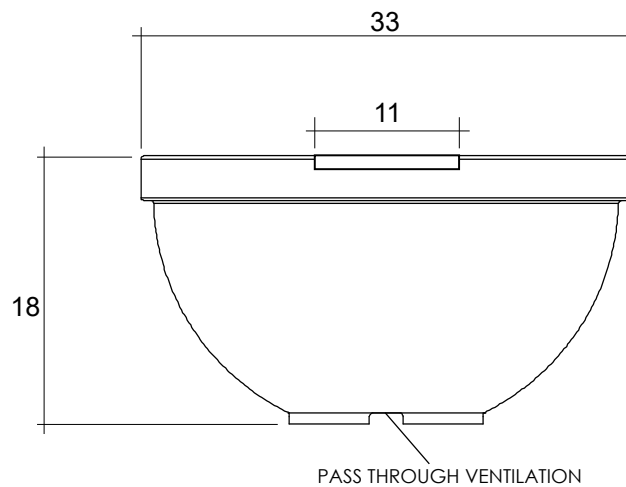
Diameter	29"
Height	12"
Water Flow	15 GPM
Connection	¾" NPT
Burner Size	12" 6-spoke/65,000-85,000 BTUs (ML/E)
Weight	110 lbs.
Fuel Source	Liquid Propane or Natural Gas
Ignition	PH-Ignite (Electronic)/Key Valve (match lite)
Material	Glass fiber reinforced concrete
Media	Lava rock



Sorrento

SPECIFICATIONS

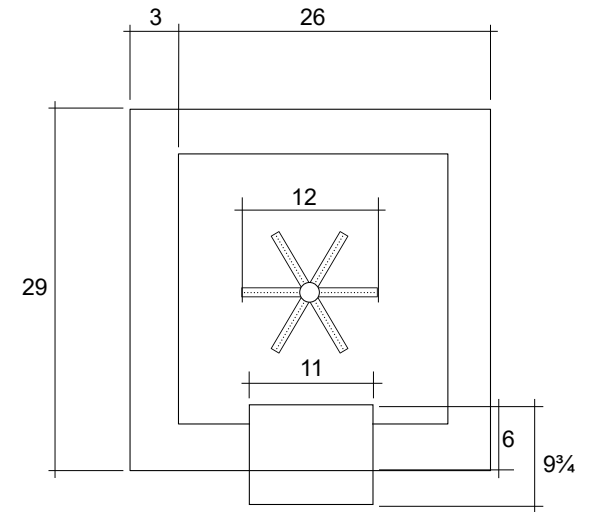
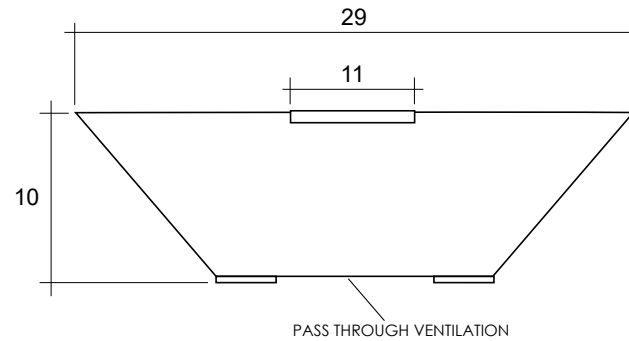
Diameter	33"
Height	18"
Water Flow	15 GPM
Connection	¾" NPT
Burner Size	12" 6-spoke/65,000-85,000 BTUs (ML/E)
Weight	196 lbs.
Fuel Source	Liquid Propane or Natural Gas
Ignition	PH-Ignite (Electronic)/Key Valve (match lite)
Material	Glass fiber reinforced concrete
Media	Lava rock



Lombard-P

SPECIFICATIONS

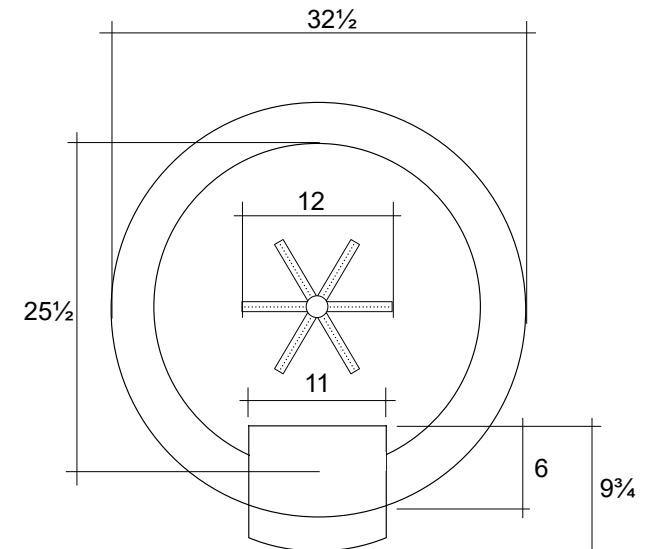
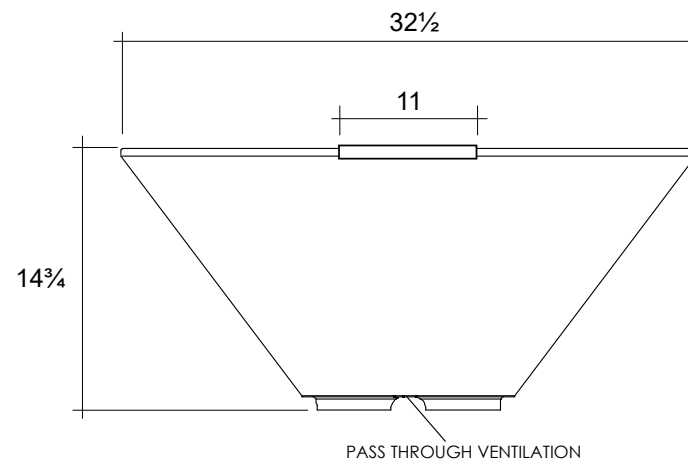
Length/Width	29"
Height	10"
Water Flow	15 GPM
Connection	¾" NPT
Burner Size	12" 6-spoke/65,000-85,000 BTUs (ML/E)
Weight	90 lbs.
Fuel Source	Liquid Propane or Natural Gas
Ignition	PH-Ignite (Electronic)/Key Valve (match life)
Material	Glass fiber reinforced concrete
Media	Lava rock



Verona

SPECIFICATIONS

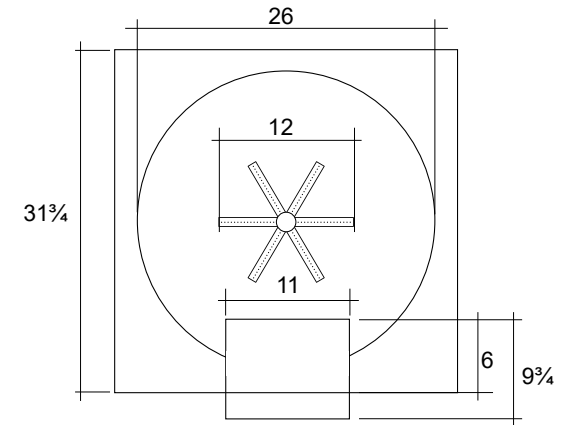
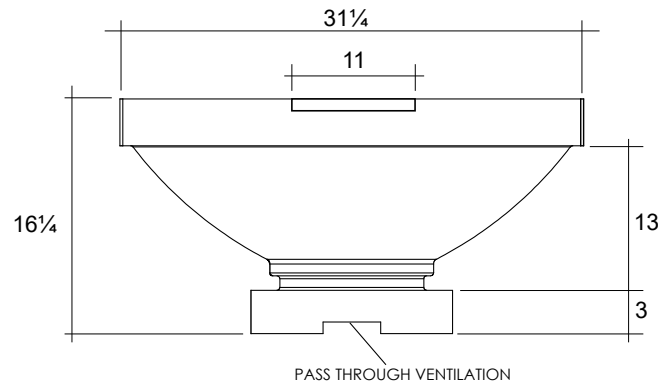
Diameter	32½"
Height	14¾"
Water Flow	15 GPM
Connection	¾" NPT
Burner Size	12" 6-spoke/65,000-85,000 BTUs (ML/E)
Weight	140 lbs.
Fuel Source	Liquid Propane or Natural Gas
Ignition	PH-Ignite (Electronic)/Key Valve (match life)
Material	Glass fiber reinforced concrete
Media	Lava rock



Ibiza

SPECIFICATIONS

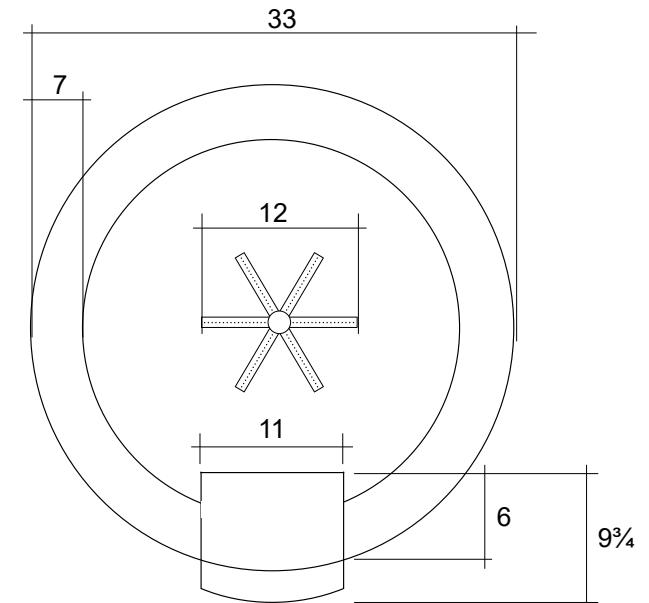
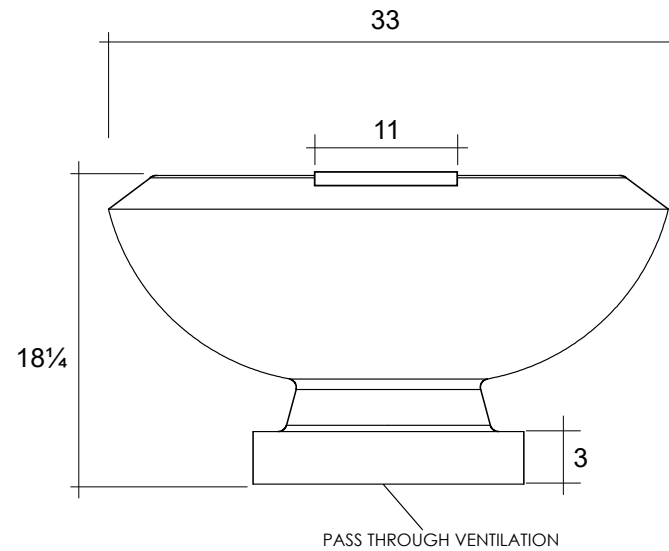
Length/Width	31 1/4"
Height	16 1/4"
Water Flow	15 GPM
Connection	3/4" NPT
Burner Size	12" 6-spoke/65,000-85,000 BTUs (ML/E)
Weight	176 lbs.
Fuel Source	Liquid Propane or Natural Gas
Ignition	PH-Ignite (Electronic)/Key Valve (match life)
Material	Glass fiber reinforced concrete
Media	Lava rock



Toscano

SPECIFICATIONS

Diameter	33"
Height	18 1/4"
Water Flow	15 GPM
Connection	3/4" NPT
Burner Size	12" 6-spoke/65,000-85,000 BTUs (ML/E)
Weight	180 lbs.
Fuel Source	Liquid Propane or Natural Gas
Ignition	PH-Ignite (Electronic)/Key Valve (match life)
Material	Glass fiber reinforced concrete
Media	Lava rock





Ibiza

Hospitality Collection

Bring guests into the lap of luxury with the Hospitality Collection. The collection has a wide variety of solutions for hotels, resorts, apartment communities, restaurants, shopping centers, and more in the hospitality sector. The large fire features cover wide open spaces and the furniture pieces allow guests to lounge, laugh, and enjoy life comfortably outdoors.

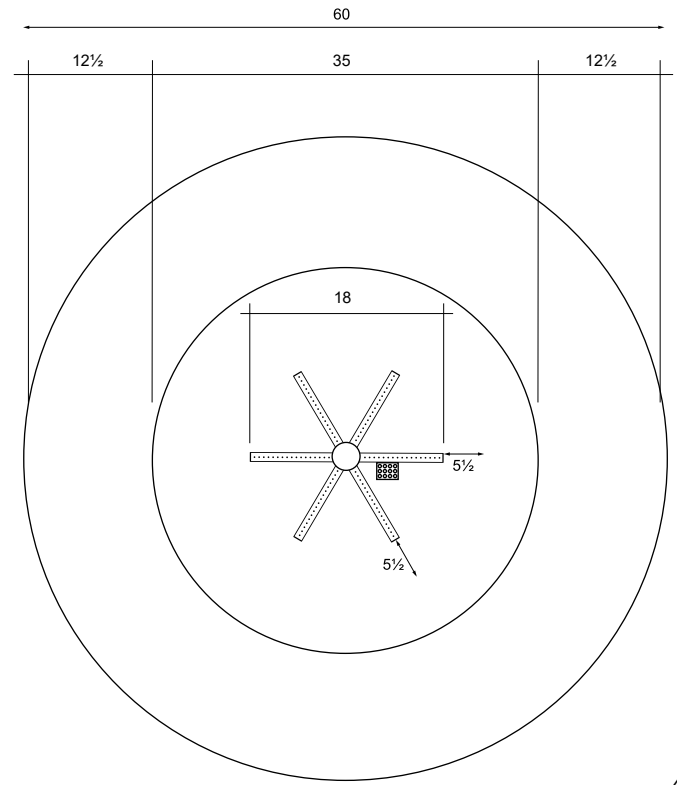
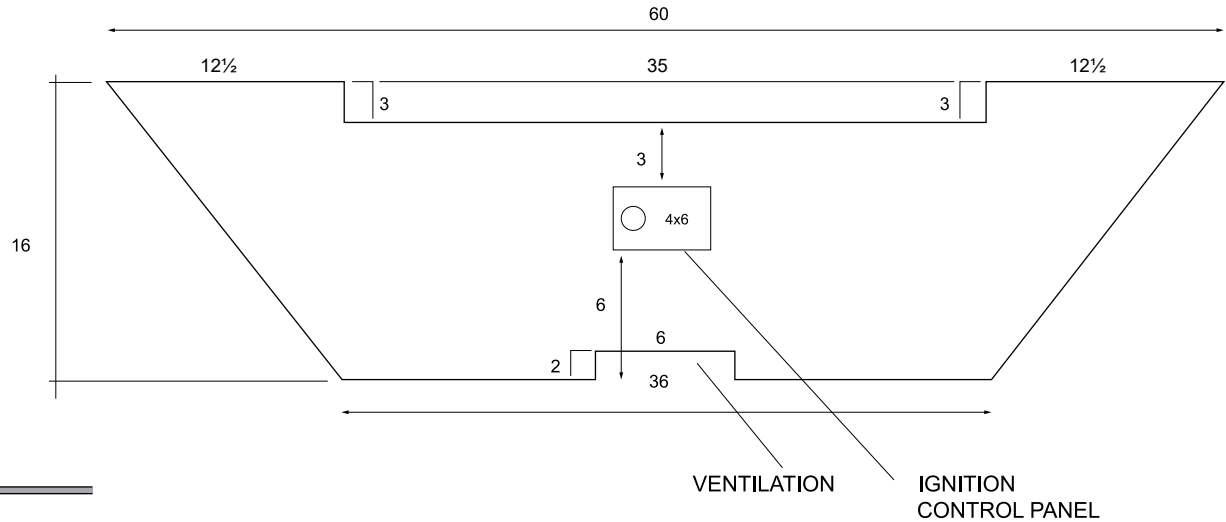
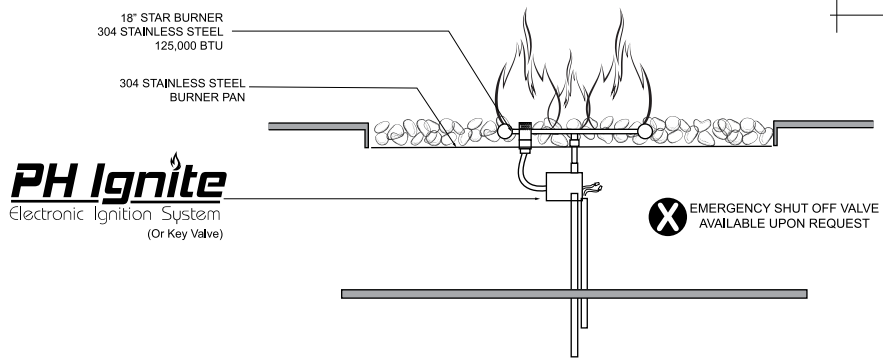


Fuego 89

Embarcadero 60

SPECIFICATIONS

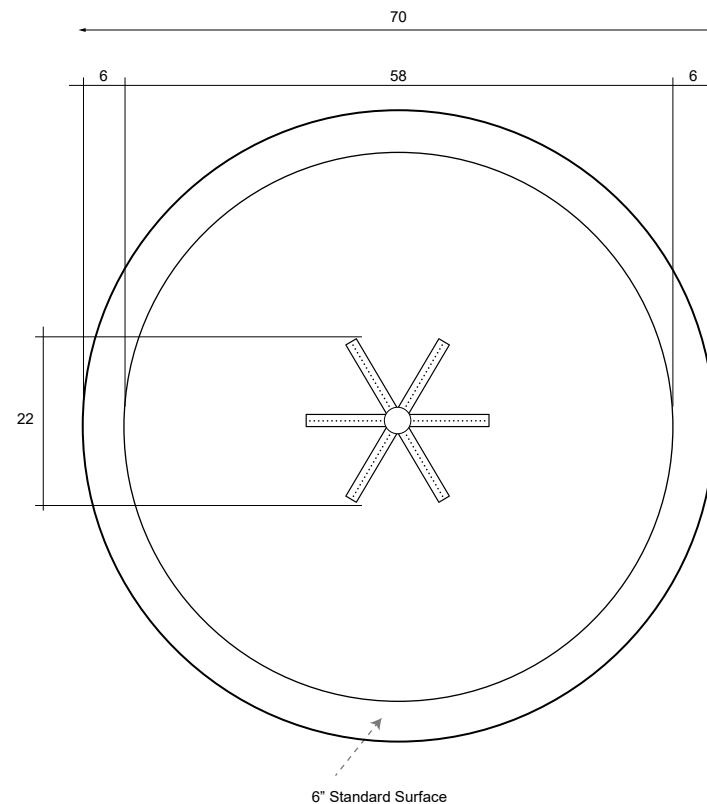
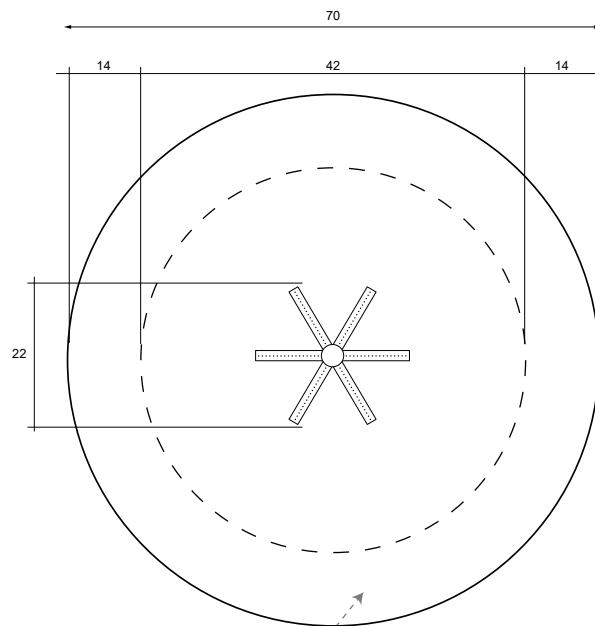
Diameter	60"
Height	16"
Surface	12½"
Burner Size	18"/125,000 BTUs
Weight	550 lbs.
Fuel Source	Natural gas or Liquid propane (larger tanks only)
Ignition	PH-Ignite (Electronic)
Material	Glass fiber reinforced concrete
Media	Tumbled lava rock



Moderno 70

SPECIFICATIONS

Diameter	70"
Height	18"
Surface	6" (also available in 14")
Burner Size	22"/125,000 BTUs
Weight	650 lbs.
Fuel Source	Natural gas or Liquid propane (larger tanks only)
Ignition	PH-Ignite (Electronic)
Material	Glass fiber reinforced concrete
Media	Tumbled lava rock



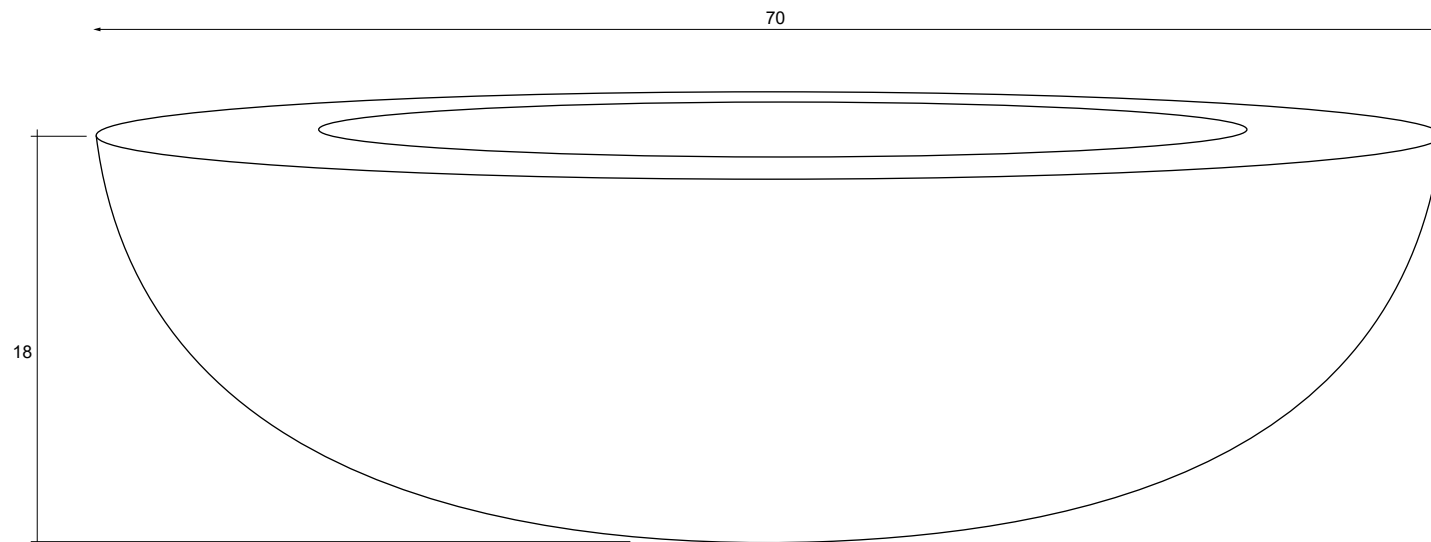
22" STAR BURNER
304 STAINLESS STEEL
125,000 BTU

304 STAINLESS STEEL
BURNER PAN

PH Ignite
Electronic Ignition System
(Or Key Valve)

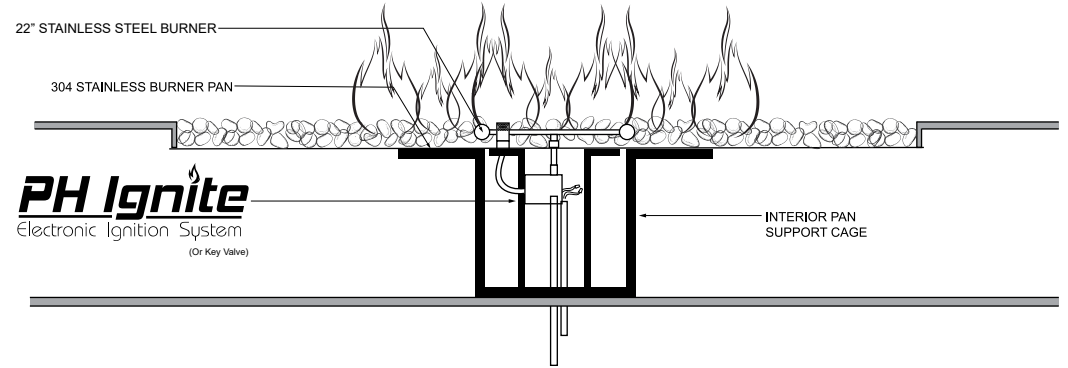
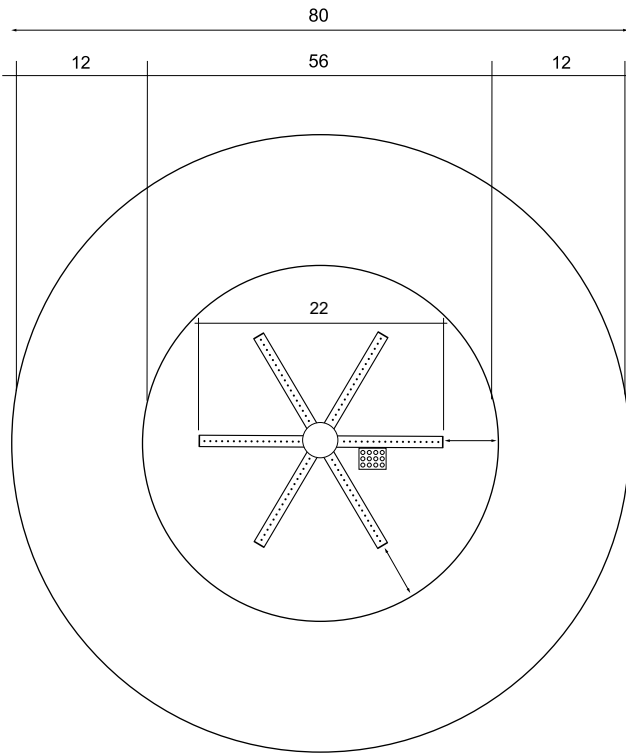
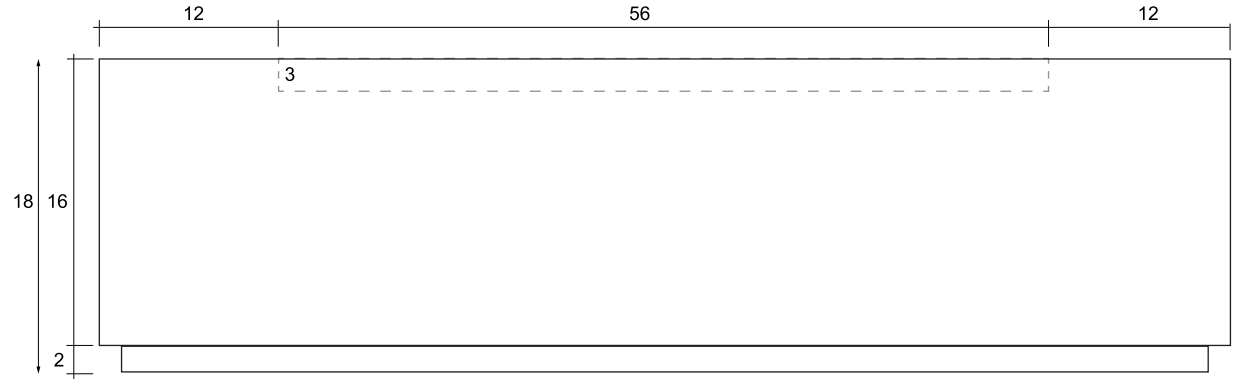
INTERIOR PAN
SUPPORT CAGE

X EMERGENCY SHUT OFF VALVE
AVAILABLE UPON REQUEST



SPECIFICATIONS

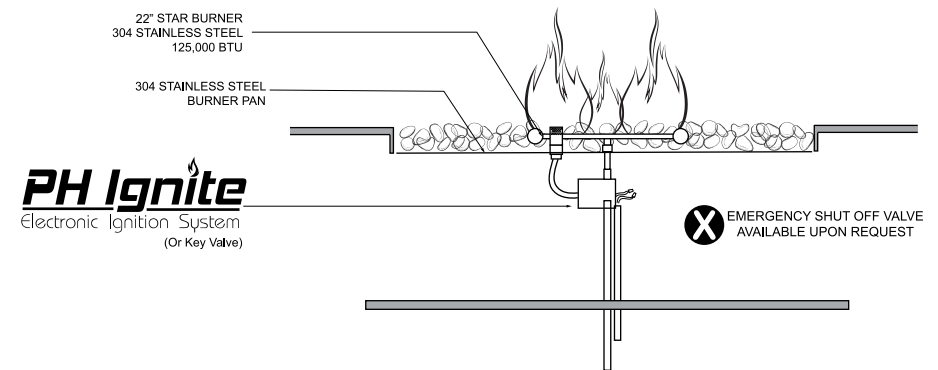
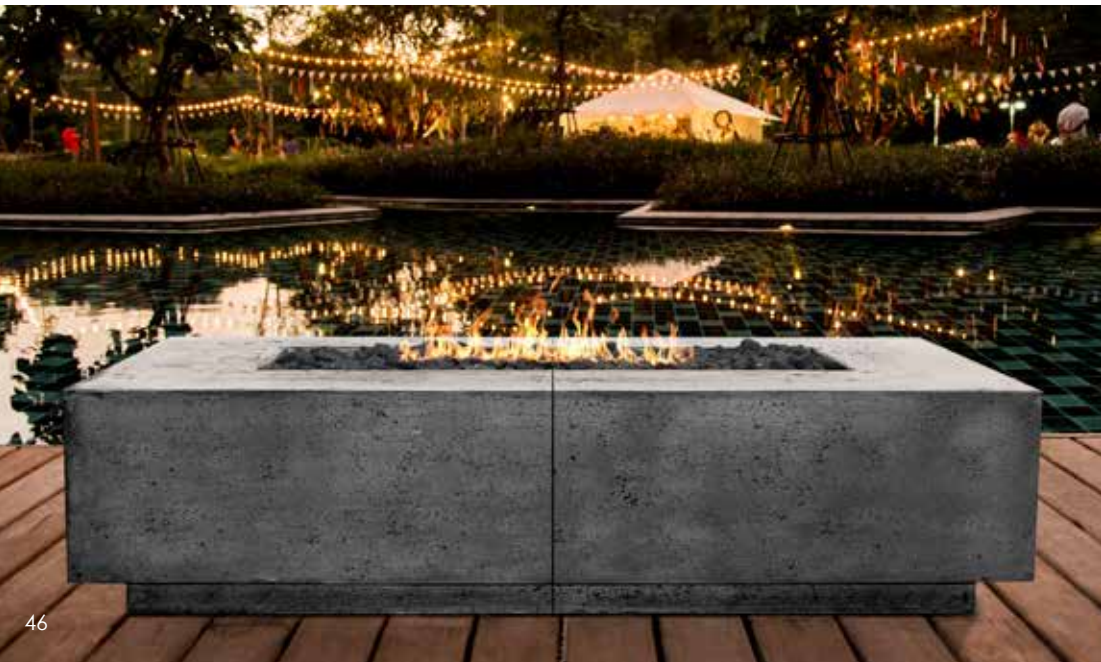
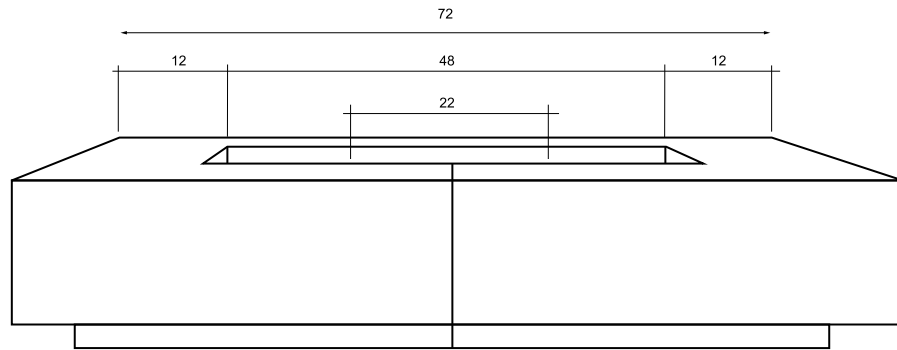
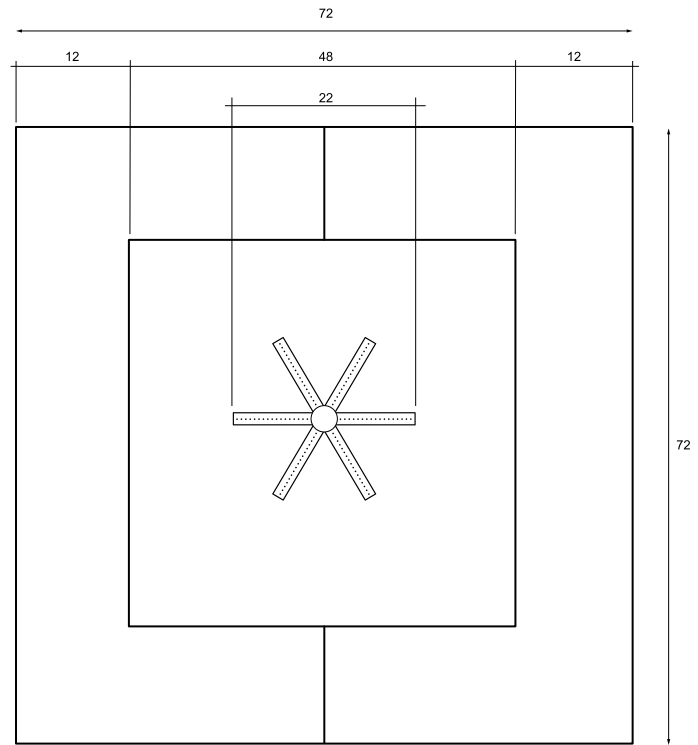
Diameter	80"
Height	18"
Surface	12"
Burner Size	22"/125,000 BTUs
Weight	700 lbs.
Fuel Source	Natural gas or Liquid propane (larger tanks only)
Ignition	PH-Ignite (Electronic)
Material	Glass fiber reinforced concrete
Media	Tumbled lava rock



Rotondo 80

SPECIFICATIONS

Width	72" (96" also available)
Length	72"
Height	16"
Surface	12"
Burner Size	22"/125,000 BTUs
Weight	910 lbs.
Fuel Source	Natural gas or Liquid propane (large tanks only)
Ignition	PH-Ignite (Electronic)
Material	Glass fiber reinforced concrete
Media	Tumbled lava rock

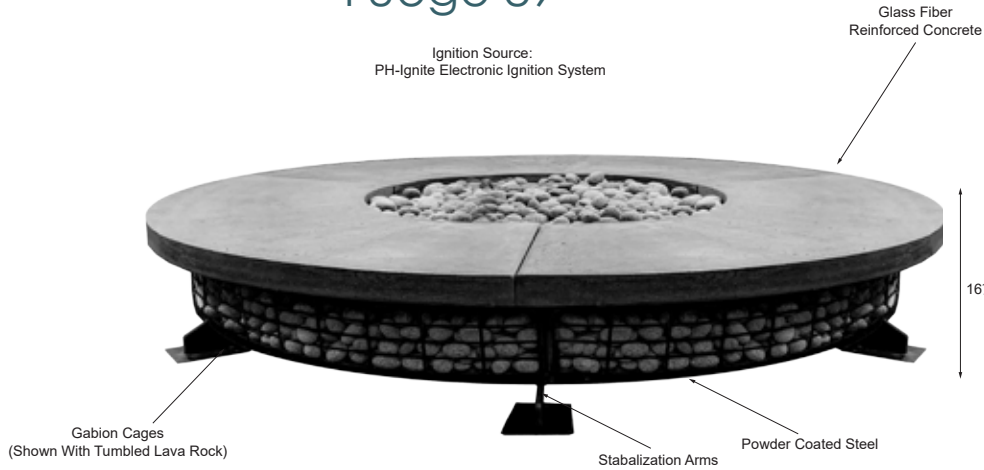


Largo 72

Fuego Series

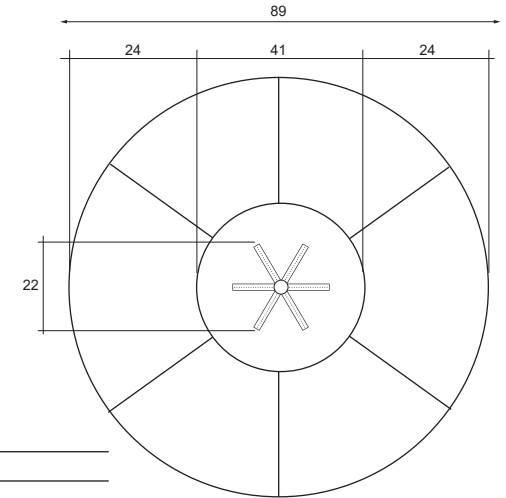
Fuego 89

Ignition Source:
PH-Ignite Electronic Ignition System



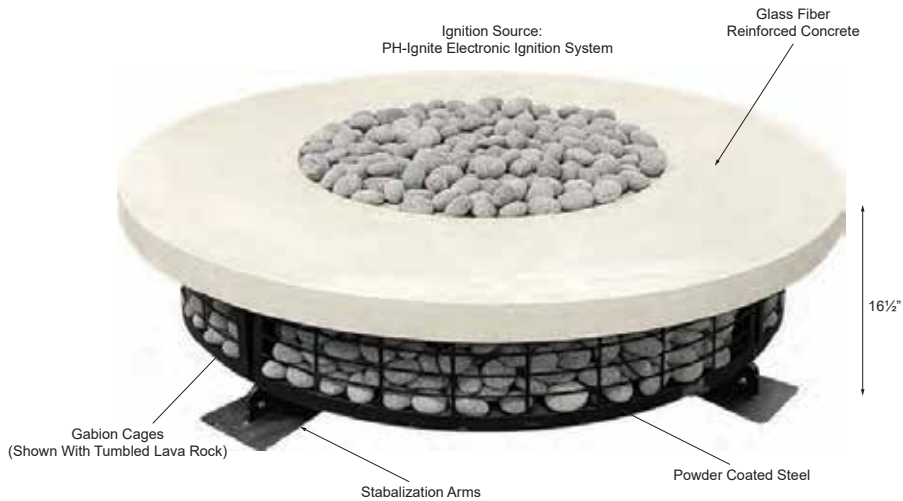
Fuego 89 Specifications

Diameter	89"
Height	16½"
Surface	24"
Burner Size	22"/125,000 BTUs
Weight	1050 lbs.
Fuel Source	Natural gas or Liquid propane (large tanks only)
Ignition	PH-Ignite (Electronic)
Material	Glass fiber reinforced concrete/Powder coated steel
Media	Tumbled lava rock



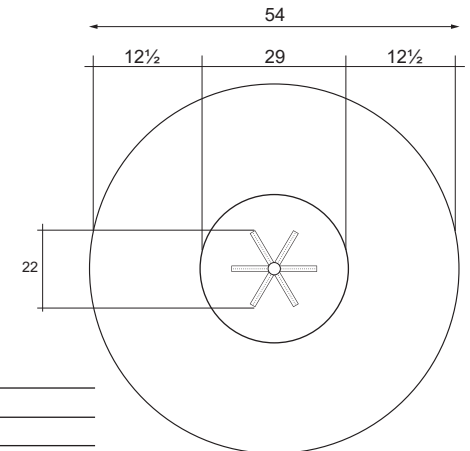
Fuego 54

Ignition Source:
PH-Ignite Electronic Ignition System



Fuego 54 Specifications

Diameter	54"
Height	16½"
Surface	12½"
Burner Size	22"/125,000 BTUs
Weight	550 lbs.
Fuel Source	Natural gas or Liquid propane (large tanks only)
Ignition	PH-Ignite (Electronic)
Materials	Glass fiber reinforced concrete/Powder coated steel
Media	Tumbled lava rock





CLUB CHAIR

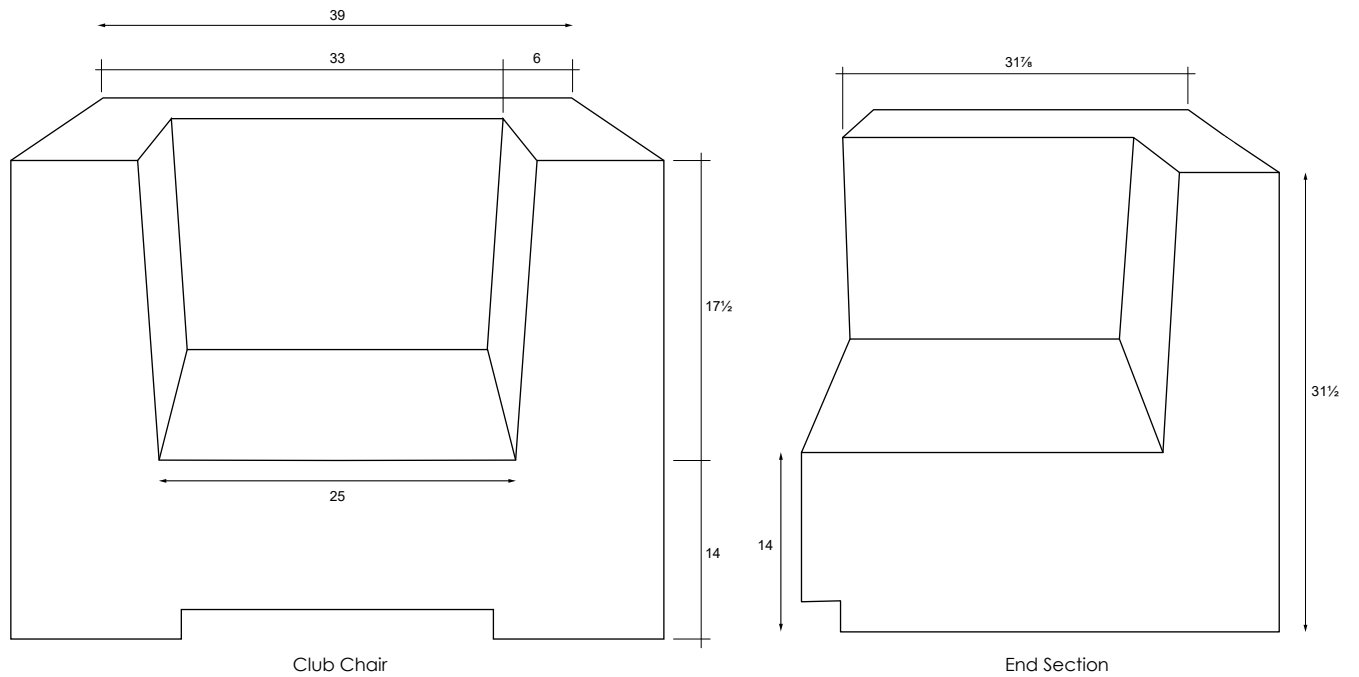
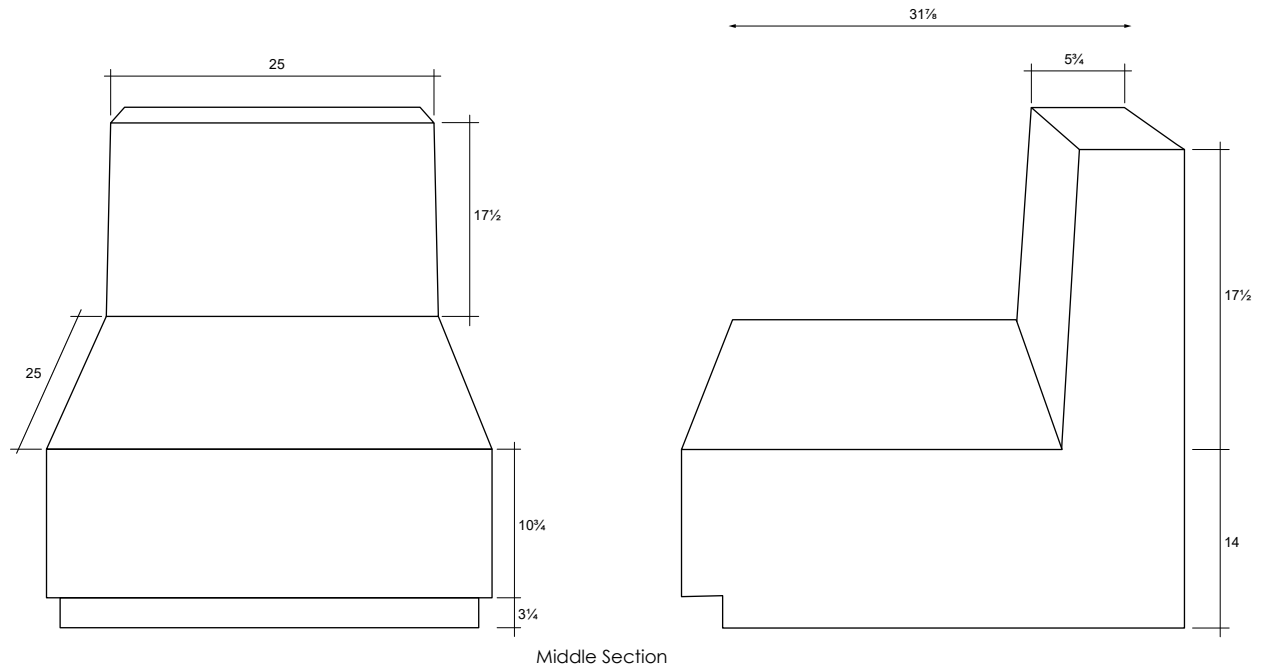
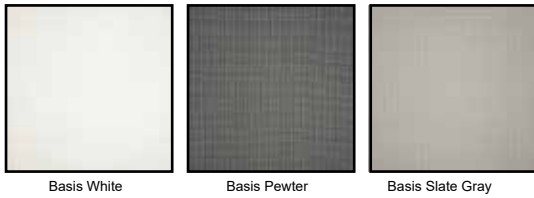
Divano

DIVANO

GFRC Color Options



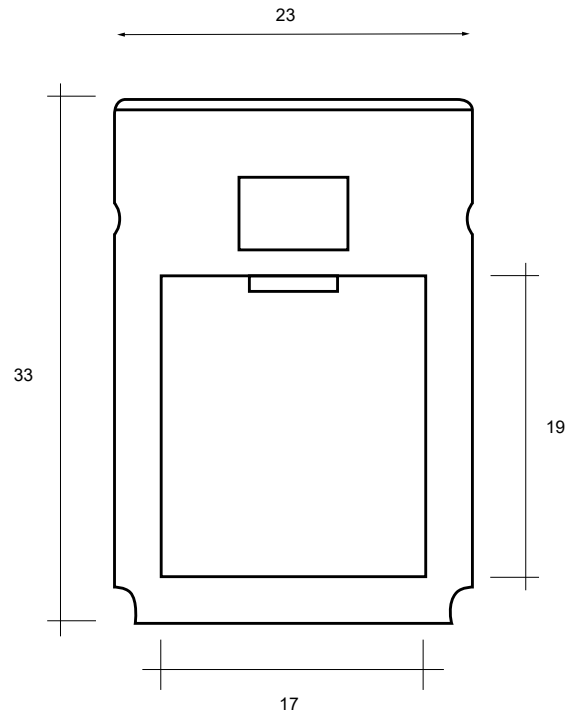
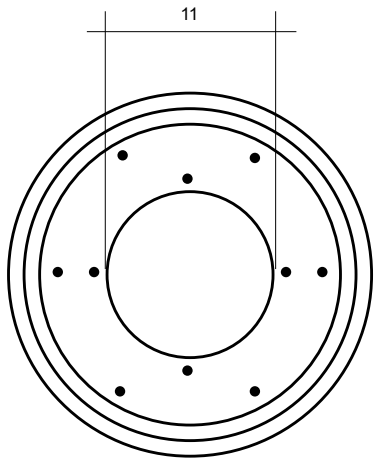
Cushion/Pillow Color Options (Sold Separately)



PH Fire Column

SPECIFICATIONS

Diameter	23"
Height	33"
Surface	7½"
Burner	65,000 BTUs
Materials	Glass fiber reinforced concrete, Spun Aluminum
Color Options	Pewter, Natural, Cafe, Ebony, Ultra, Coastal

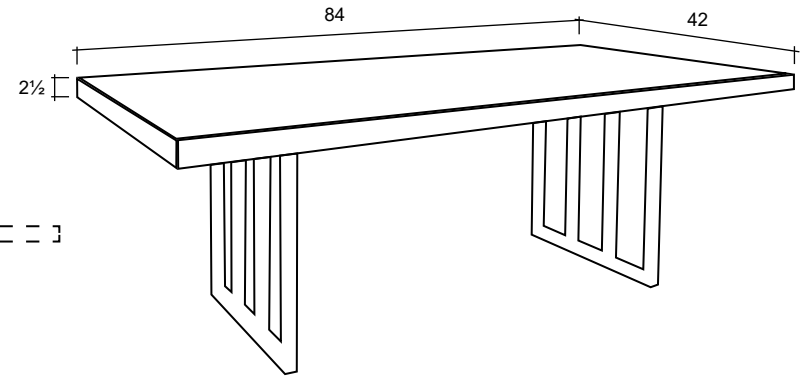


Table

SPECIFICATIONS

Width	42"
Length	84" (96" & 108" also available)
Thickness	2½"
Material	Glass fiber reinforced concrete
Table Colors	Ebony, Pewter, Ultra White
Leg Colors	Pewter, Brushed Stainless Steel, Chrome, Brushed Brass

Custom sizes & styles available



Color Options

Most fire features are available to be ordered in one of six vibrant color options. Pewter is the most popular choice and this year Prism Hardscapes introduces a NEW color called "Coastal" that is reminiscent of a quiet, serene, relaxing beachside resort.



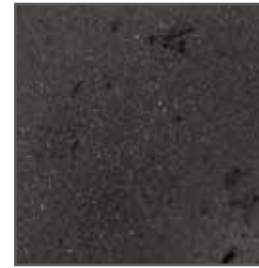
PEWTER



NATURAL



CAFE



EBONY



ULTRA



COASTAL

Fire Media

Prism Hardscapes offers several different fire media options to allow anyone to customize their fire feature to their tastes.

Beautiful 3/4" Lava Rock is included with nearly all models, and offers a stark contrast with any of the fire feature color options.

Tumbled Lava Rock is included with Fuego Series fire features and is an upgrade available for all other models. Many people enjoy the smooth, clean look of the tumbled lava rock and it is a popular choice.

Fire Glass is another upgrade option for most fire features. Its colorful, dazzling, modern look is offered in 7 different colors.

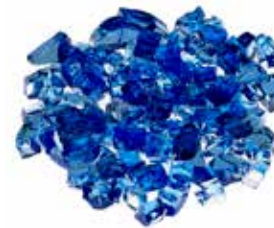
3/4" Lava Rock



Tumbled Lava Rock



Fire Glass



Aqua



Black



Mist



Golden



Smoke

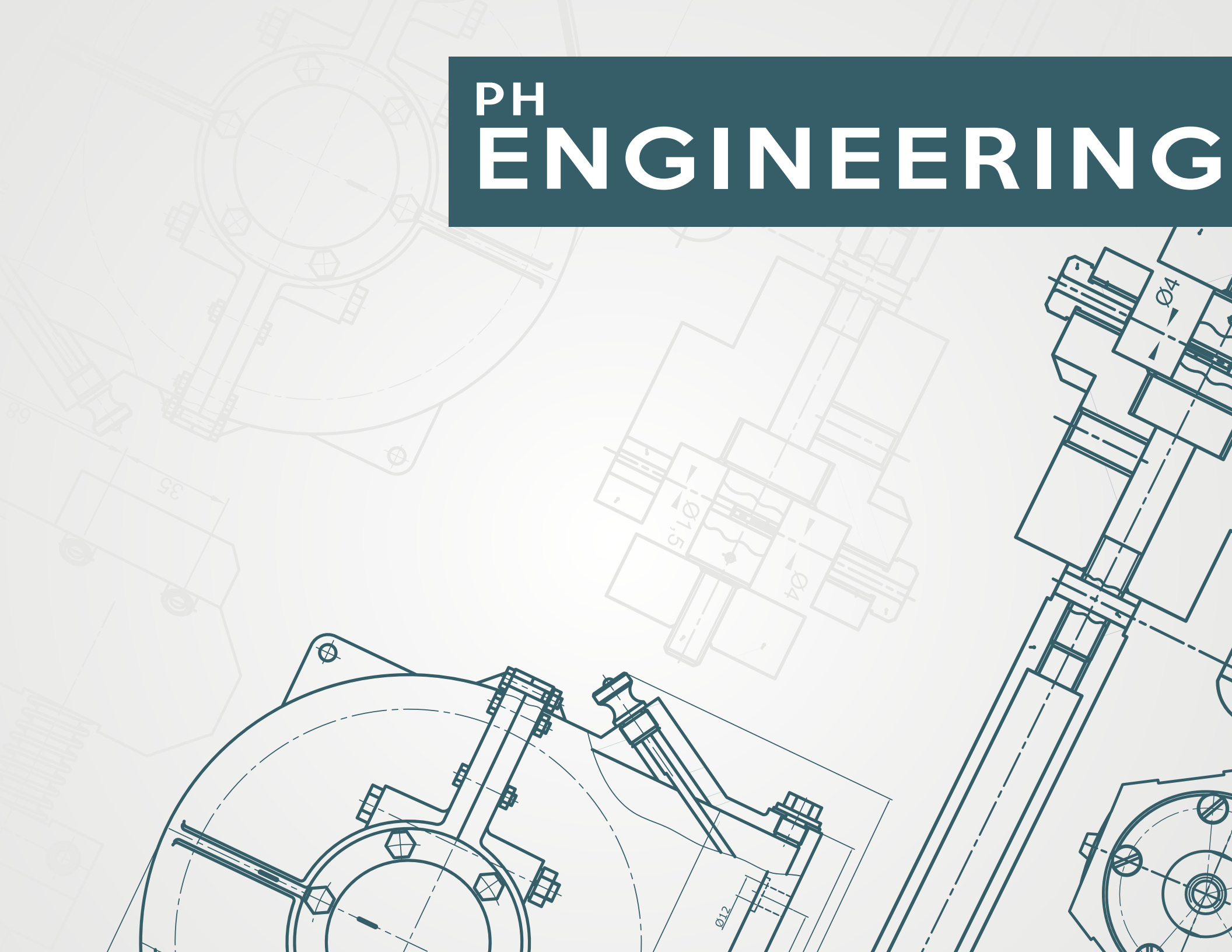


Azura



Bronze

PH ENGINEERING





SMART, SAFE, CONVENIENT. Hassle-Free Ignition, Zero Worries

Hot Surface Ignition

Robust and reliable ignition.

Waterproof Pilot Connector

Corrosion proof electrical connection.

Compact Design

Conveniently fits into your fire feature.

Electronic Ignition

Convenient fire feature lighting and instant flame monitoring.

Weatherproof/Anti-Corrosion Enclosure

Protects internal components from harsh weather and is built to last.

12 VAC Inlet Power

Compliant with National Electrical code 2014, article 68. May be installed within five feet of pool water.



This product complies with ANSI Z2197 standard.

*Burner not included. System connects to existing fire feature burner.

Ignition Options

- Key Valve
- Battery Ignition
- Electronic



Key Valve

SPECIFICATIONS

Fuel Source	Propane Gas (LP) or Natural Gas (NG)
Ignition	Manual Key Turn
Ignition Source	Match Lit



Battery Ignition

SPECIFICATIONS

Fuel Source	Propane Gas (LP) or Natural Gas (NG)
Ignition	Press Button Start w/Safety Auto Cut-off
Ignition Source	Battery Spark



Electronic

SPECIFICATIONS

Fuel Source	Propane Gas (LP) or Natural Gas (NG)
Ignition	Electric Switch
Ignition Source	Electric Spark



Prism Hardscapes creates dependable and custom outdoor living products to help bring your ideas and visions to life.

Breaking ground on a new project is key, but planning before-hand is crucial. This means selecting products in different colors, shapes and sizes that will create the ideal outdoor living space to fit your lifestyle and vision. Let Prism Hardscapes help get you there.

