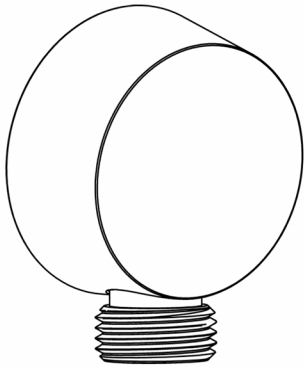


Instructions for Models:

VS-155
VS-155-BN
VS-155-PN



What You Need To Know:

Tools:

Required:

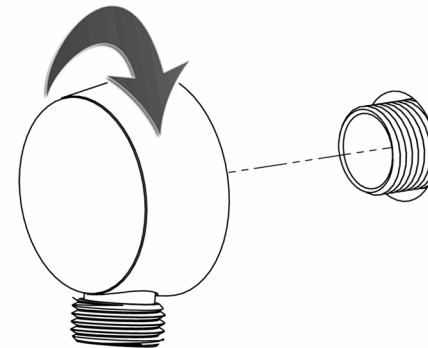
*Teflon Tape



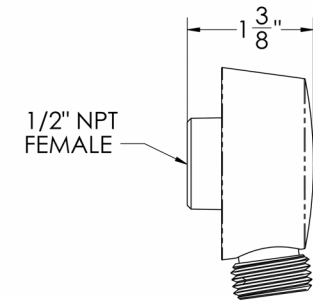
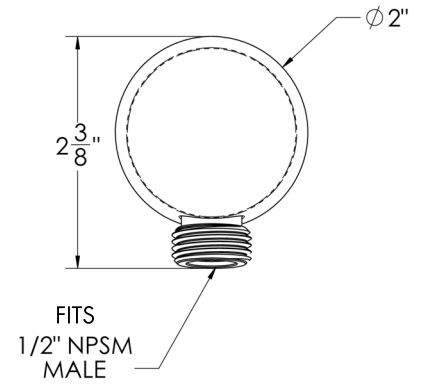
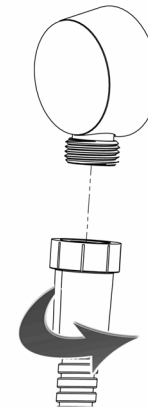
① Apply Teflon Tape to 1/2" Outlet Pipe.



② Screw Supply Ell on to 1/2" Pipe. Make sure to firmly tighten.



③ Connect accessories to Supply Ell and firmly hand tighten. Turn on water supply and check for leaks.



Important Notes:

Be sure to read instructions thoroughly before beginning installation. Do not overtighten any connections or damage may occur.

Safety Tips:

Cover your drain to prevent loss of parts.

Maintenance:

Your new Supply Ell is designed for years of trouble-free performance. Keep it looking new by cleaning it periodically with a soft cloth. Avoid abrasive cleaners, steel wool, and harsh chemicals as these will dull the finish and void your warranty.

Specifications:

Supply Inlet: 1/2" NPT FEMALE
Outlet: FITS 1/2" NPSM MALE