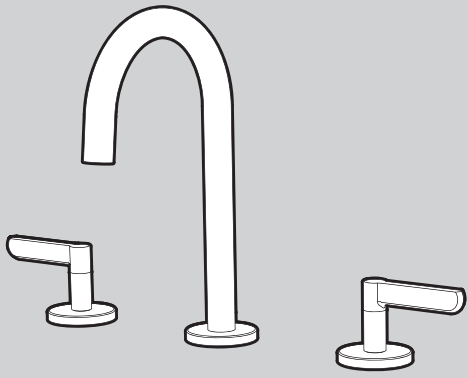
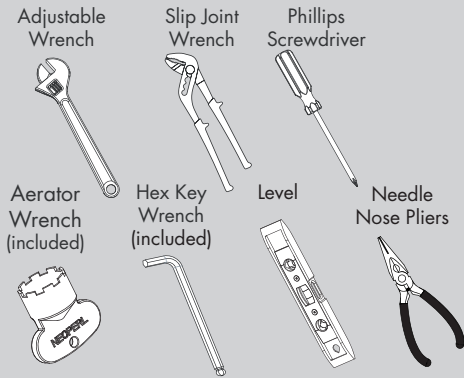


INSTRUCTIONS FOR MODELS

SB-3121



TOOLS AND SUPPLIES



HELPFUL TOOLS & SUPPLIES:



IMPORTANT

- Do not over-tighten any connections or damage may occur.
- Be sure to read instructions thoroughly before beginning installation.
- This faucet has an operating range of 20-80 psi.

SAFETY TIPS

Cover your drain to prevent loss of parts. Be sure to wear eye protection while cutting pipe.

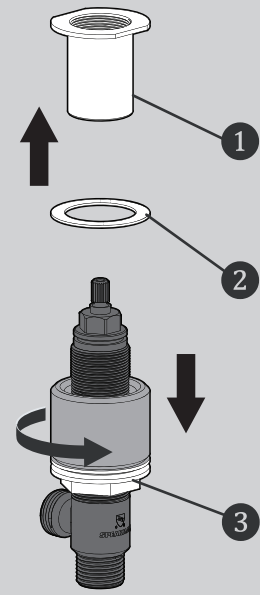
MAINTENANCE

Your new Speakman Product is designed for years of trouble-free performance. Keep it looking new by cleaning it periodically with a soft cloth. The use of harsh chemicals and abrasives on any of the Speakman custom finish products may damage the finish and void the product warranty. Please be sure to only use approved cleaners. Please contact Speakman for any clarification of acceptable cleaners.

WARRANTY

Warranty information can be found at: www.speakman.com

1 The "COLD" and "HOT" Endbody Assemblies are clearly marked. Remove Valve Support (1) and Rubber Washer (2) from the Cold Side Valve Body. Thread Endbody Mounting Nut (3) all the way down the Endbody. Repeat this for the Hot Side Valve Body.

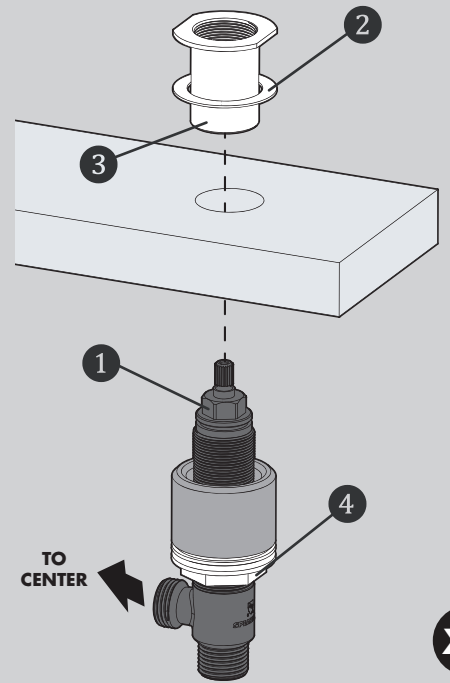


X2

2 From below, insert COLD Endbody Assembly (1) up through hole in counter top. From above, place Rubber Washer (2) over Endbody Assembly (1), Thread Valve Support (3) on to Endbody Assembly and Hand Tighten into position.

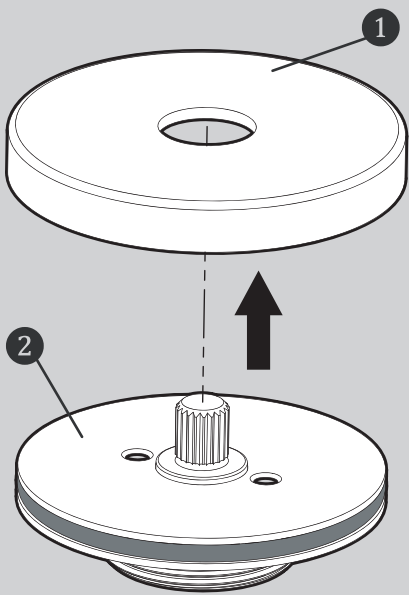
Align Endbody (1) so the Outlet is facing towards the center as shown below. From below Hand tighten Mounting Nut (4) into position.

Repeat for HOT Endbody Assembly.



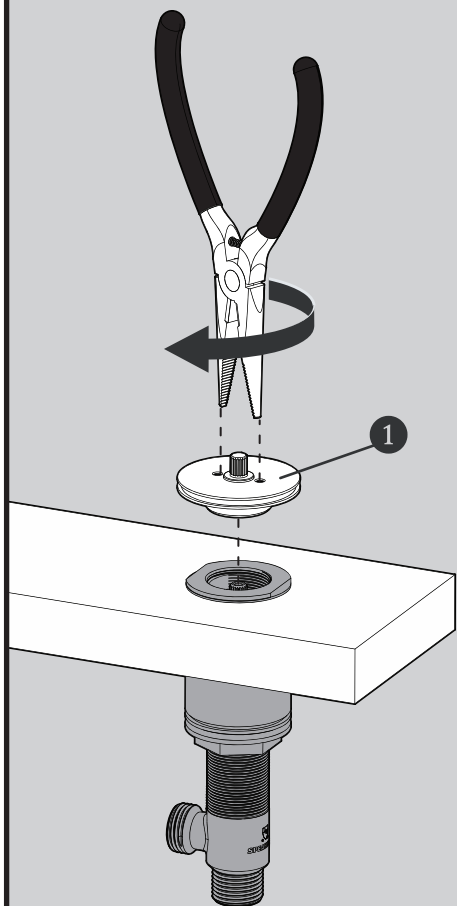
X2

3 Remove Escutcheons (1) from Handle Escutcheon Assemblies (2).

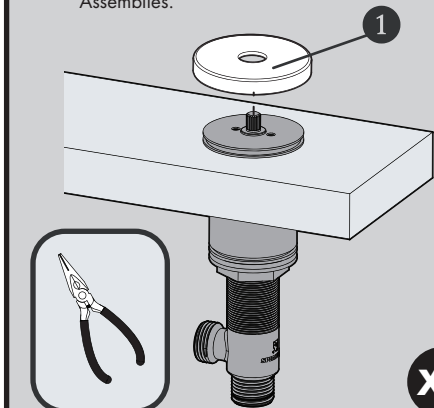


X2

4 Thread in Handle Base Assemblies (1) and use Needle Nose Pliers, in holes, to tighten.

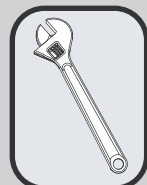
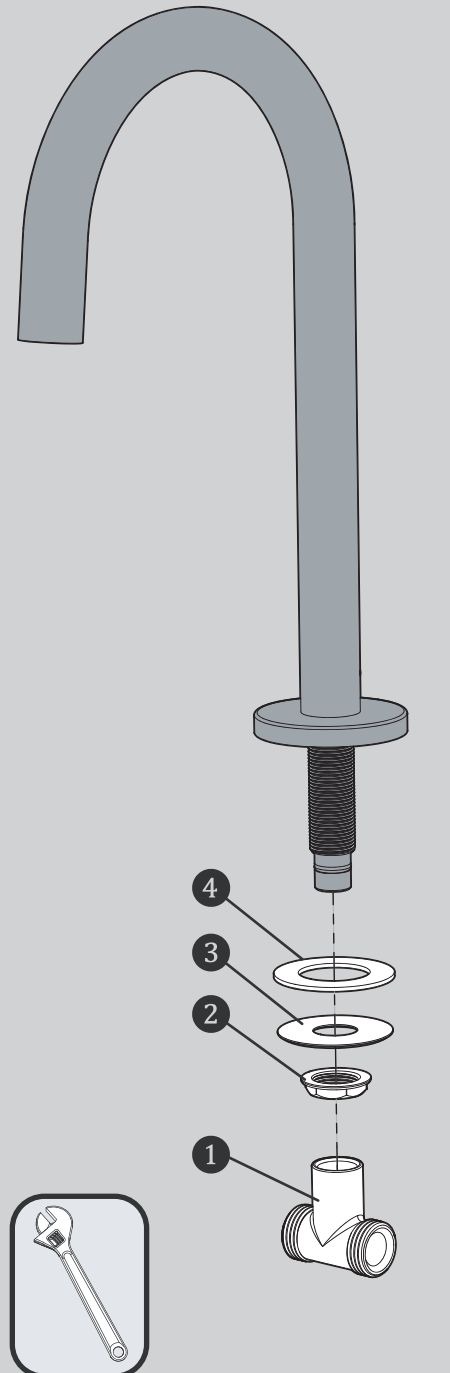


Place Escutcheon (1) over the Handle Base Assemblies.

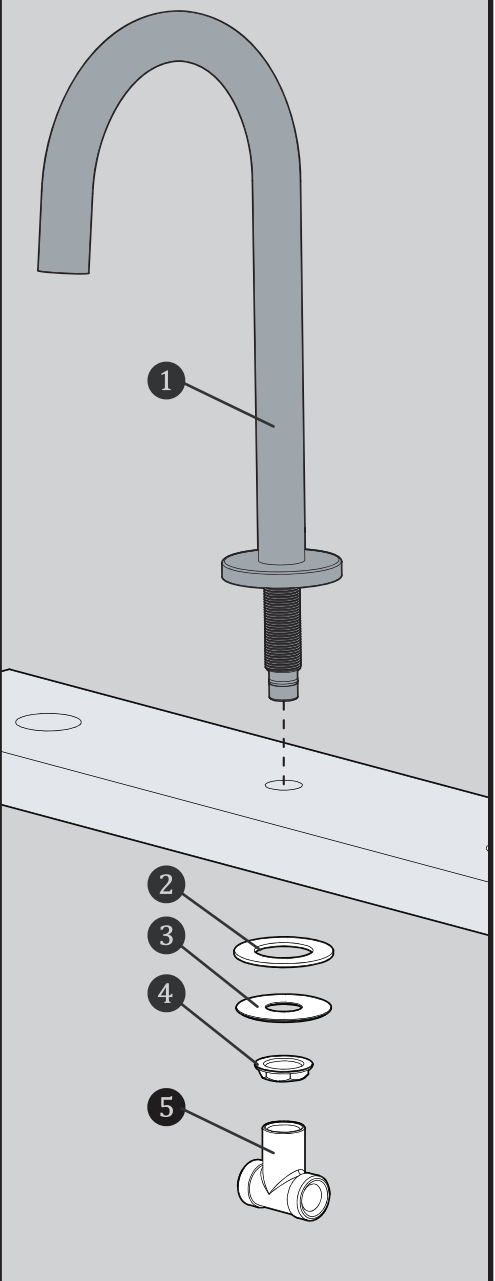


X2

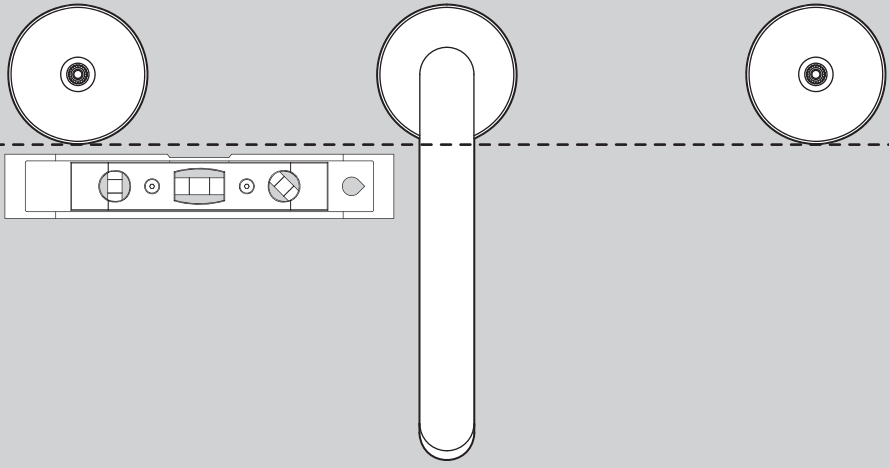
5 Remove Inlet Tee (1), Mounting Nut (2), Metal Washer (3), and Rubber Washer (4) from Spout Assembly.



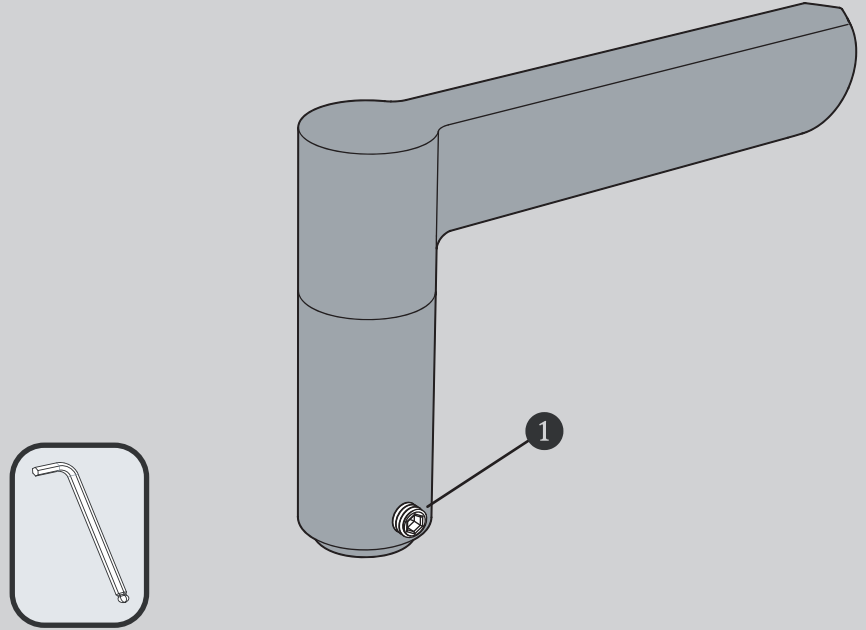
6 Place Spout Assembly (1) through the Center Hole of counter top. From below, reinstall the Rubber Washer (2), Metal Washer (3), Mounting Nut (4), and Inlet Tee (5). Hand tighten the Mounting Nut.



7 From above, align Spout and Handle bases so that they are aligned horizontally.

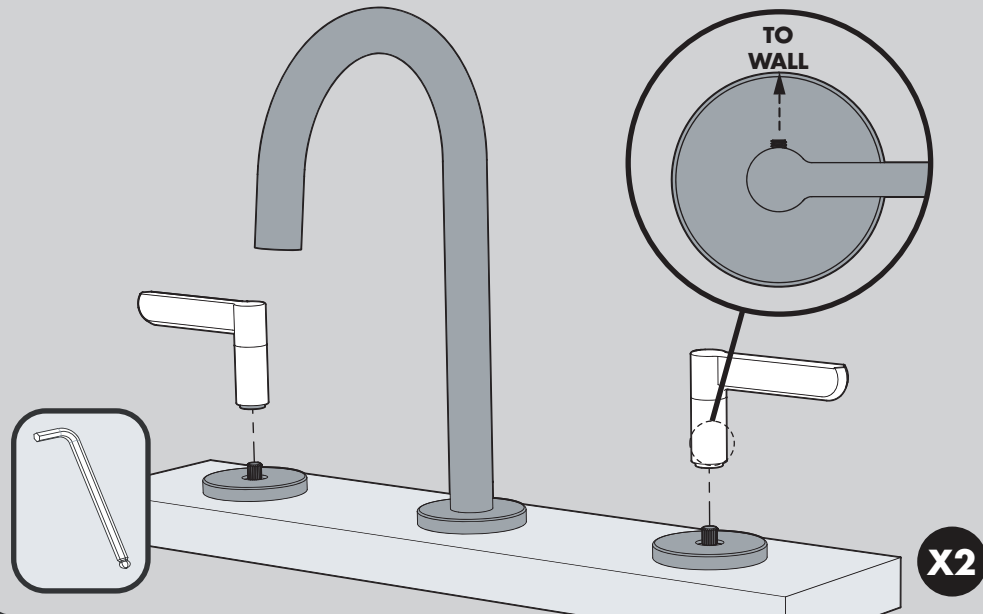


8 Loosen but do not remove the Set Screw (1) on the Handle Assemblies using the included Hex Key provided.



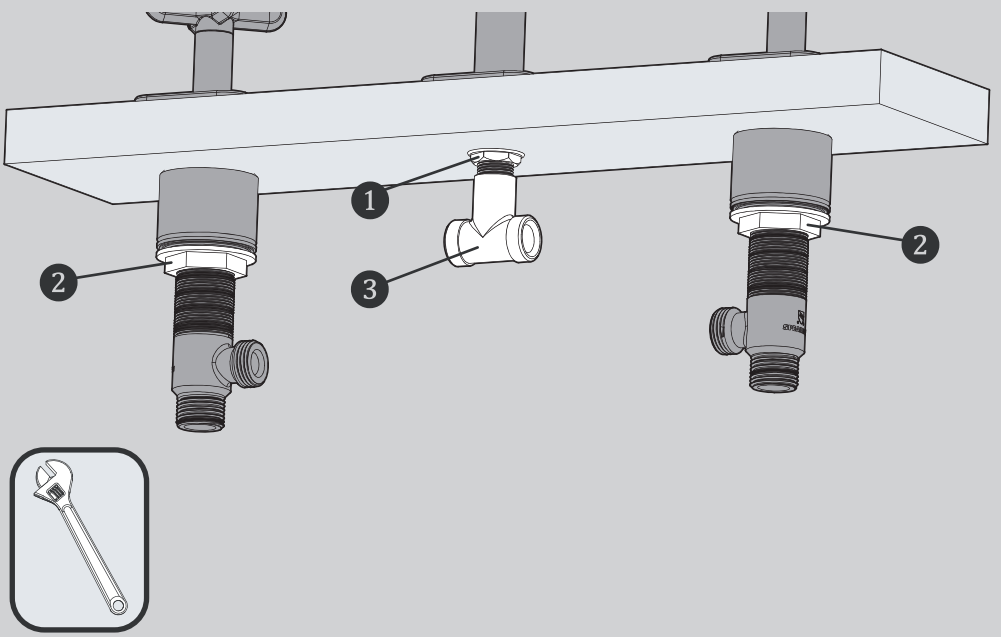
X2

9 Install the Handle Assemblies onto the Handle Base Assemblies. Verify that the Valves are in the OFF position. Once the Valves are verified to be in the OFF position, re-align Handles so the Set Screws are facing the rear. Recommend facing the set screws toward the wall. Tighten Set Screws on the Handle Assemblies using the included Hex Key Wrench.

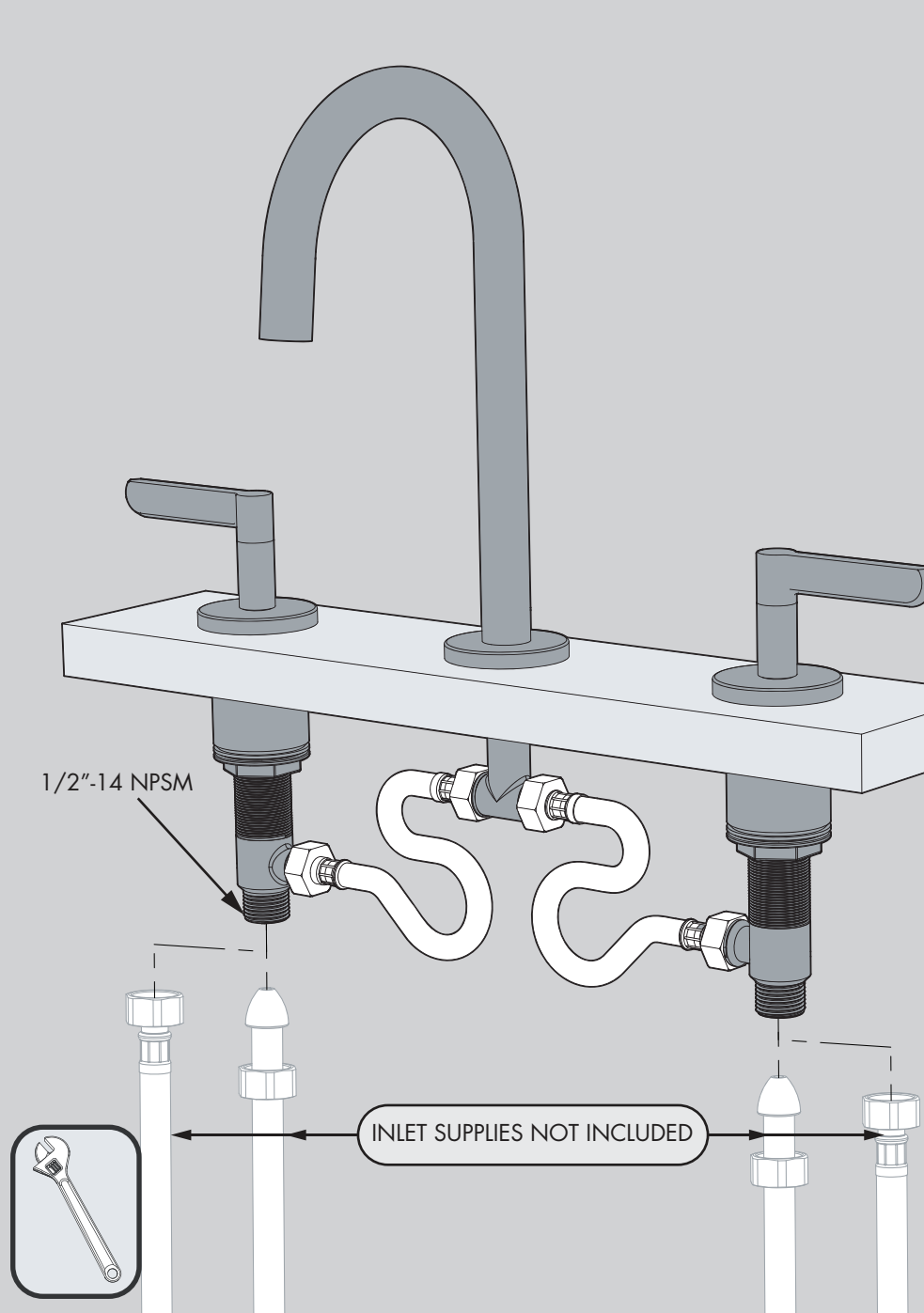


X2

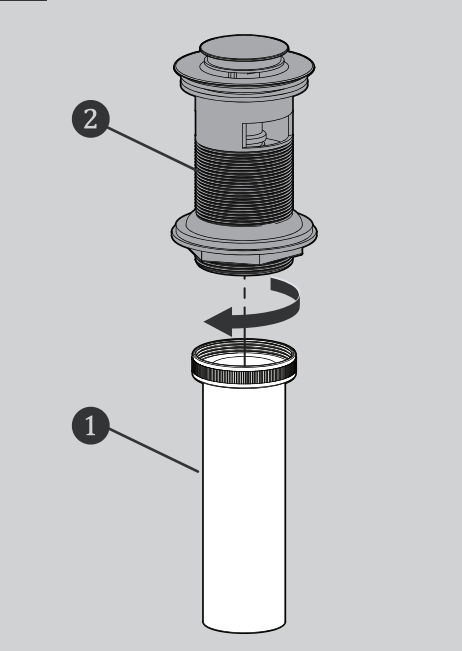
10 While maintaining the proper alignment, wrench Tighten Spout Mounting Nut (1). Then Wrench Tighten the Nuts on the Valve Bodies (2). Wrench Tighten Tee (3).



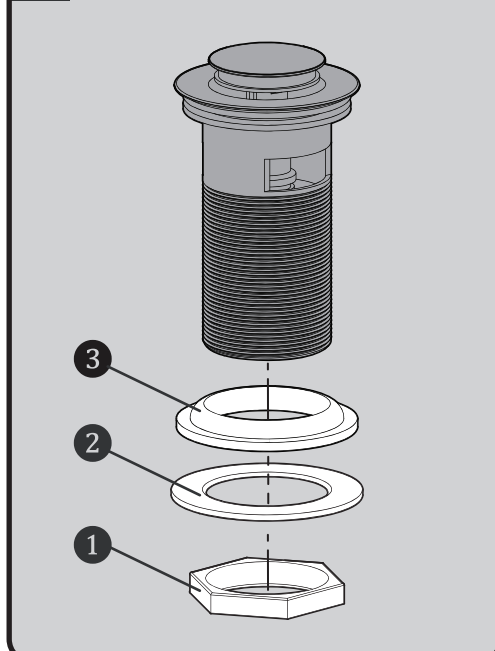
11 From below, install the Hose supplies provided from the Valve Body to the Inlet Tee of the Spout. Wrench Tighten. Install Inlet Hoses (not provided) to the Valve Bodies. Wrench Tighten. Inlet connections are 1/2"-14 NPSM.



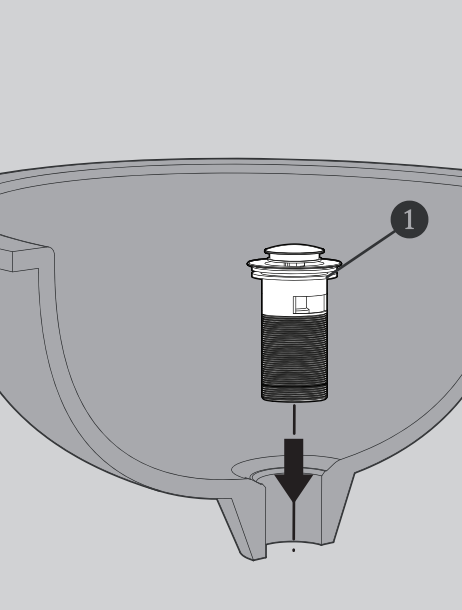
12 Unthread Tailpiece (1) from Drain Assembly (2). Do not lose the Rubber Gasket on the Tailpiece.



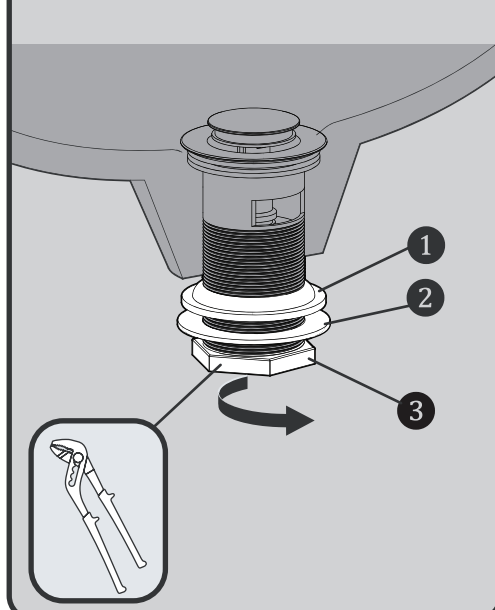
13 Remove Mounting Nut (1), Plastic Washer (2), and Rubber Seal (3).



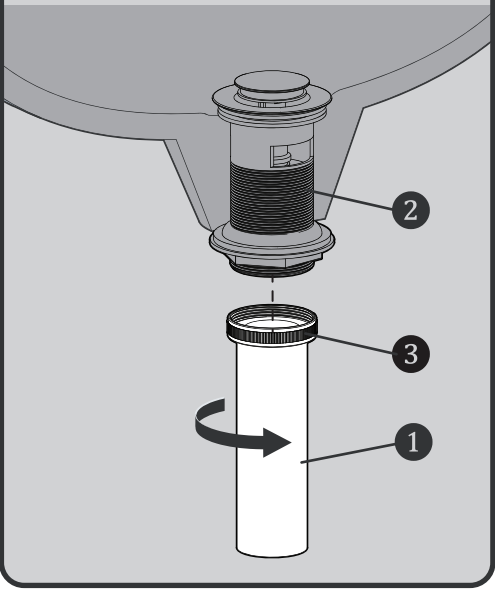
14 From above, insert Drain Assembly into Drain Hole of sink. Use the included Upper Drain Seal (1) or apply Plumber's Putty to the underside of the Upper Flange.



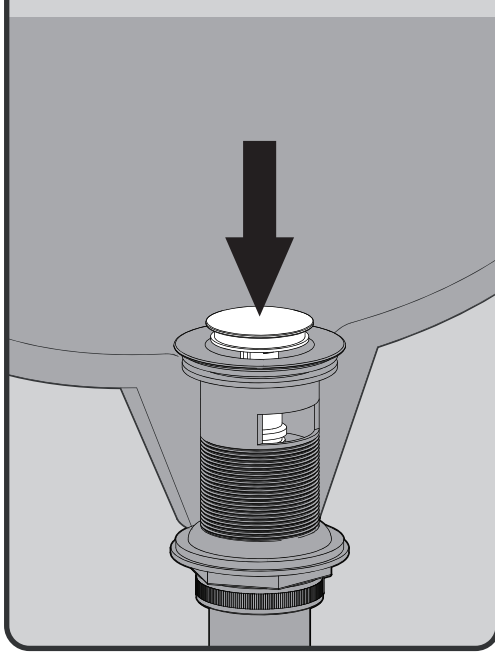
15 From below, install Rubber Seal (1), Plastic Washer (2) and Mounting Nut (3). Tighten with Slip Joint Pliers. Take care to not over-tighten connection.



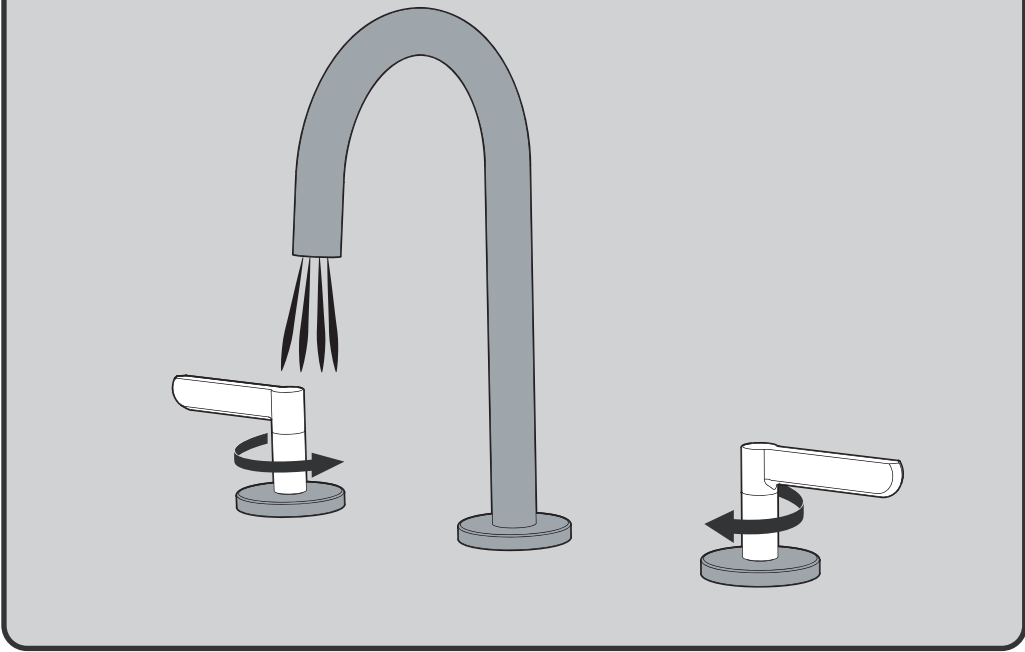
16 Reinstall the Tailpiece (1) to the Drain Assembly (2). Ensure the Rubber Gasket is properly seated in the Tailpiece. Hand tighten the Mounting Nut (3). Take care to not over-tighten connection. Make remaining plumbing connections.



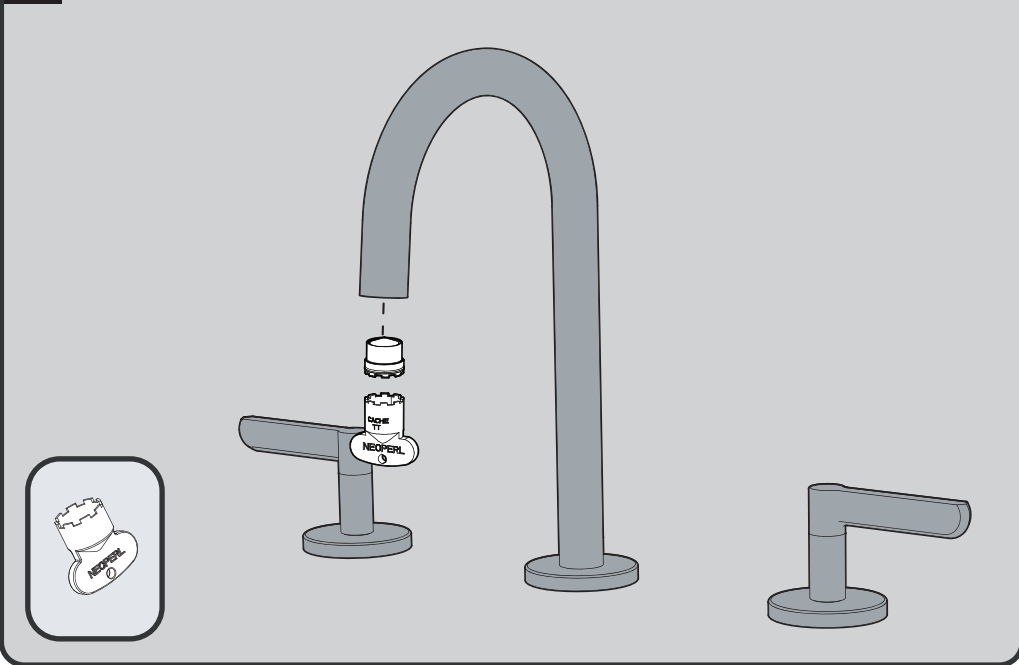
17 Test Drain operation by pressing down on Stopper to open/close Drain.



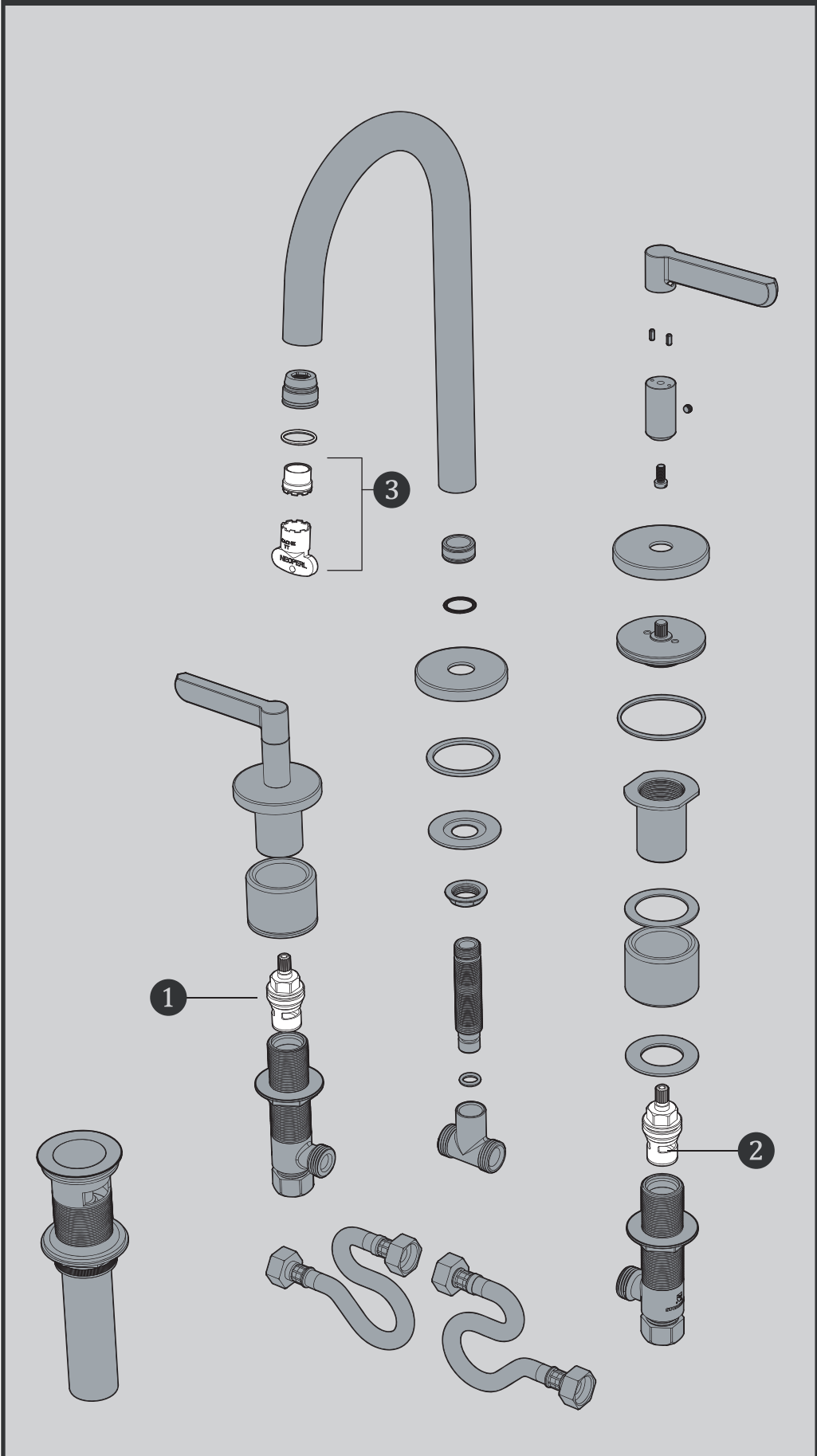
18 Turn on water supplies and flush both COLD and HOT cartridges for one minute, while checking for leaks. Return Handles to closed position when complete.



19 Install Aerator and secure into position using the included Aerator Key.



SB-3120 REPAIR PARTS **SPEAKMAN®**



- 1 RGP05-114665 HOT CARTRIDGE
- 2 RGP05-151717 COLD CARTRIDGE
- 3 RGP05-114666 AERATOR

NOTES:

COMPLIANCE:

ASME A112.18.1/CSA B125.1
 NSF/ANSI 61
 NSF/ANSI 372
 CEC
 WATERSENSE

FLOW:

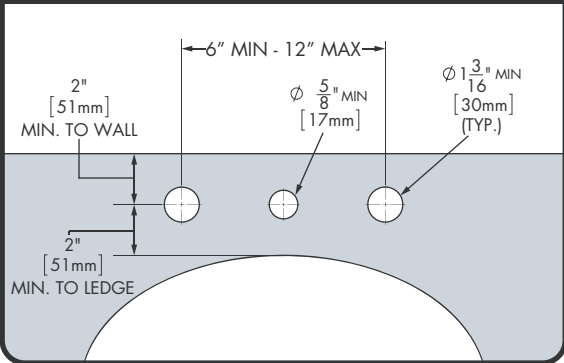
Flow Rate: 1.2 gpm (4.5 L/min max)
 Flow Type: Aerated

CONNECTIONS:

For flexible hose connection
 Hot Supply- 1/2" -14 NPSM
 Cold Supply- 1/2" -14 NPSM

Contractor to supply necessary connections to the inlets of the end bodies.

LAVATORY ROUGH-IN



DIMENSIONS SUBJECT TO CHANGE WITHOUT NOTICE.

