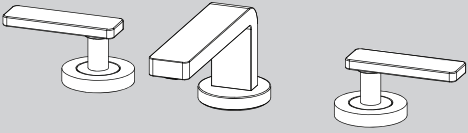
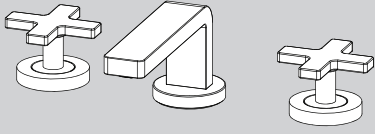


INSTRUCTIONS FOR MODELS

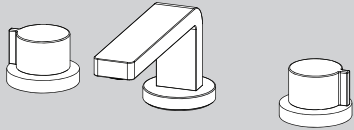
SB-2721



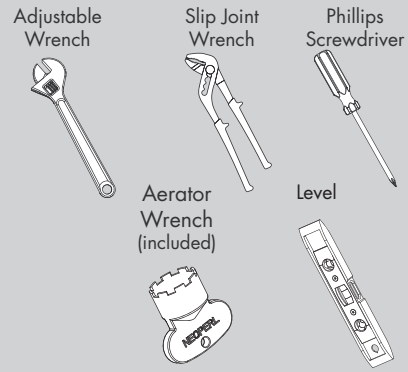
SB-2723



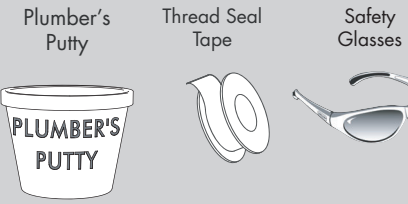
SB-2725



TOOLS AND SUPPLIES



HELPFUL TOOLS & SUPPLIES:



IMPORTANT

- Do not over-tighten any connections or damage may occur.
- Be sure to read instructions thoroughly before beginning installation.
- This faucet has an operating range of 20-80 psi.

SAFETY TIPS

Cover your drain to prevent loss of parts. Be sure to wear eye protection while cutting pipe.

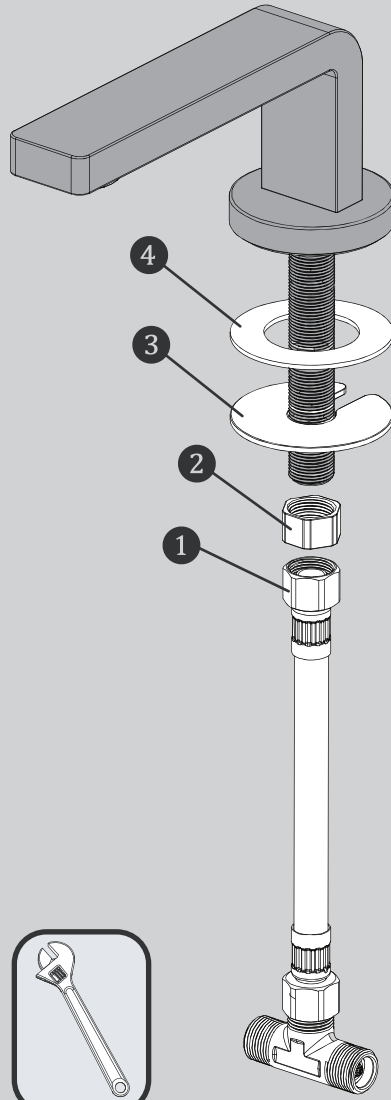
MAINTENANCE

Your new Speakman Product is designed for years of trouble-free performance. Keep it looking new by cleaning it periodically with a soft cloth. The use of harsh chemicals and abrasives on any of the Speakman custom finish products may damage the finish and void the product warranty. Please be sure to only use approved cleaners. Please contact Speakman for any clarification of acceptable cleaners.

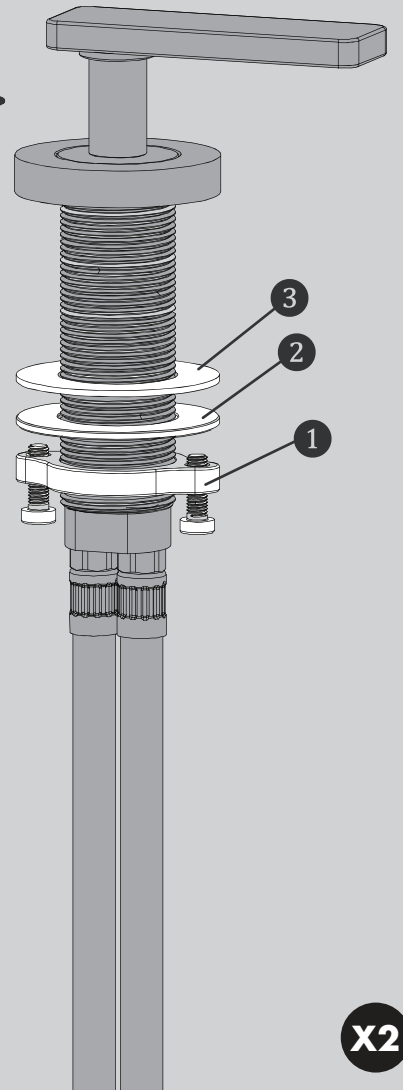
WARRANTY

Warranty information can be found at: www.speakman.com

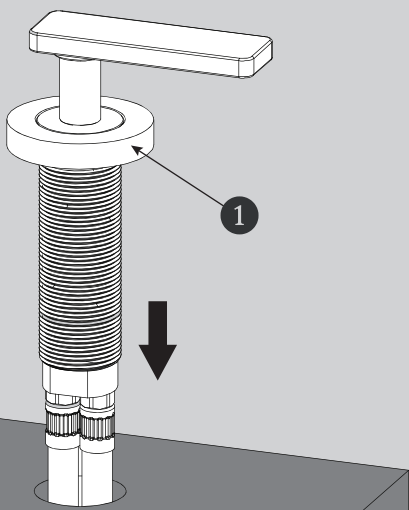
1 Shut off water supplies. Remove old faucet. Clean mounting surface in preparation of new faucet. Remove Inlet Hose Assembly (1), Mounting Nut (2), Metal Washer (3), and Rubber Washer (4) from Spout.



2 Remove Mounting Nut (1), Metal Washer (2), and Rubber Washer (3) from Cold Endbody Assembly. Repeat process for Hot Endbody Assembly

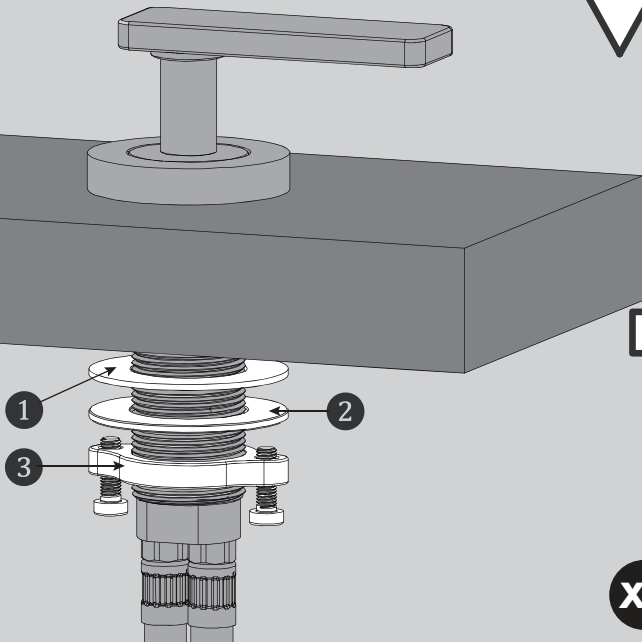


3 The "COLD" and "HOT" Endbody Assemblies are clearly marked. The "COLD" inlet hose has a Blue stripe and the "HOT" inlet hose has a Red Stripe. Place the COLD Endbody Assembly (1) through the appropriate hole in the counter top. Repeat process for the HOT Endbody Assembly. Ensure the Handle bases are aligned properly.



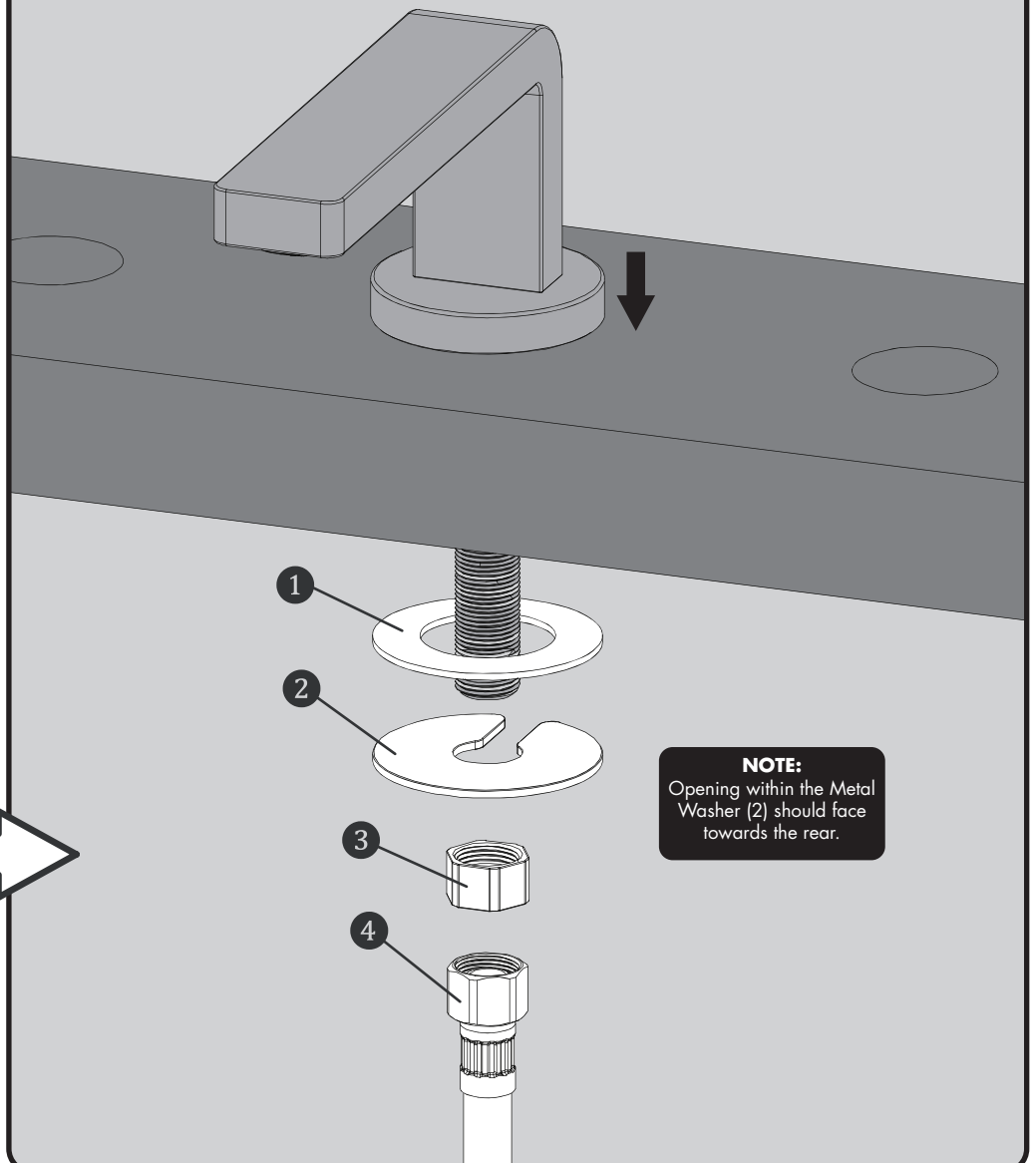
X2

4 From below, reinstall the Endbody Rubber Washer (1), Metal Washer (2), and Mounting Nut (3). Loosely assemble at this time. Repeat process for the HOT Endbody Assembly.



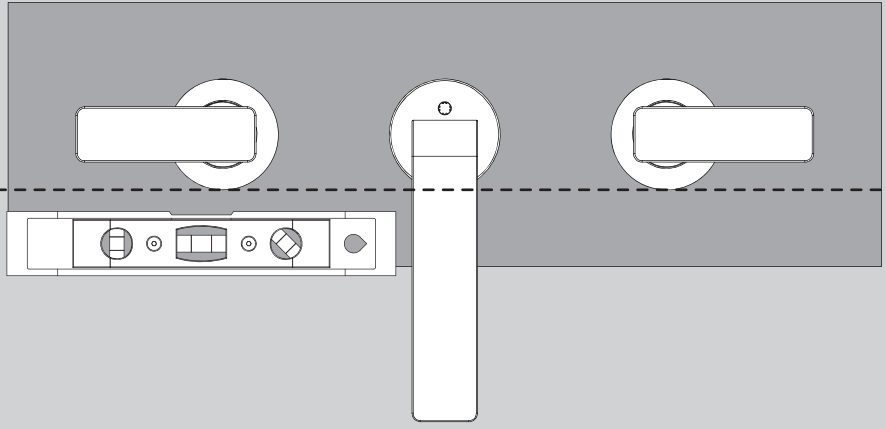
X2

5 Place Spout Assembly through the center hole of counter top. From below, reinstall the Spout Rubber Washer (1), Metal Washer (2), and Mounting Nut (3). Loosely assemble at this time. Reinstall Inlet Hose Assembly (4)

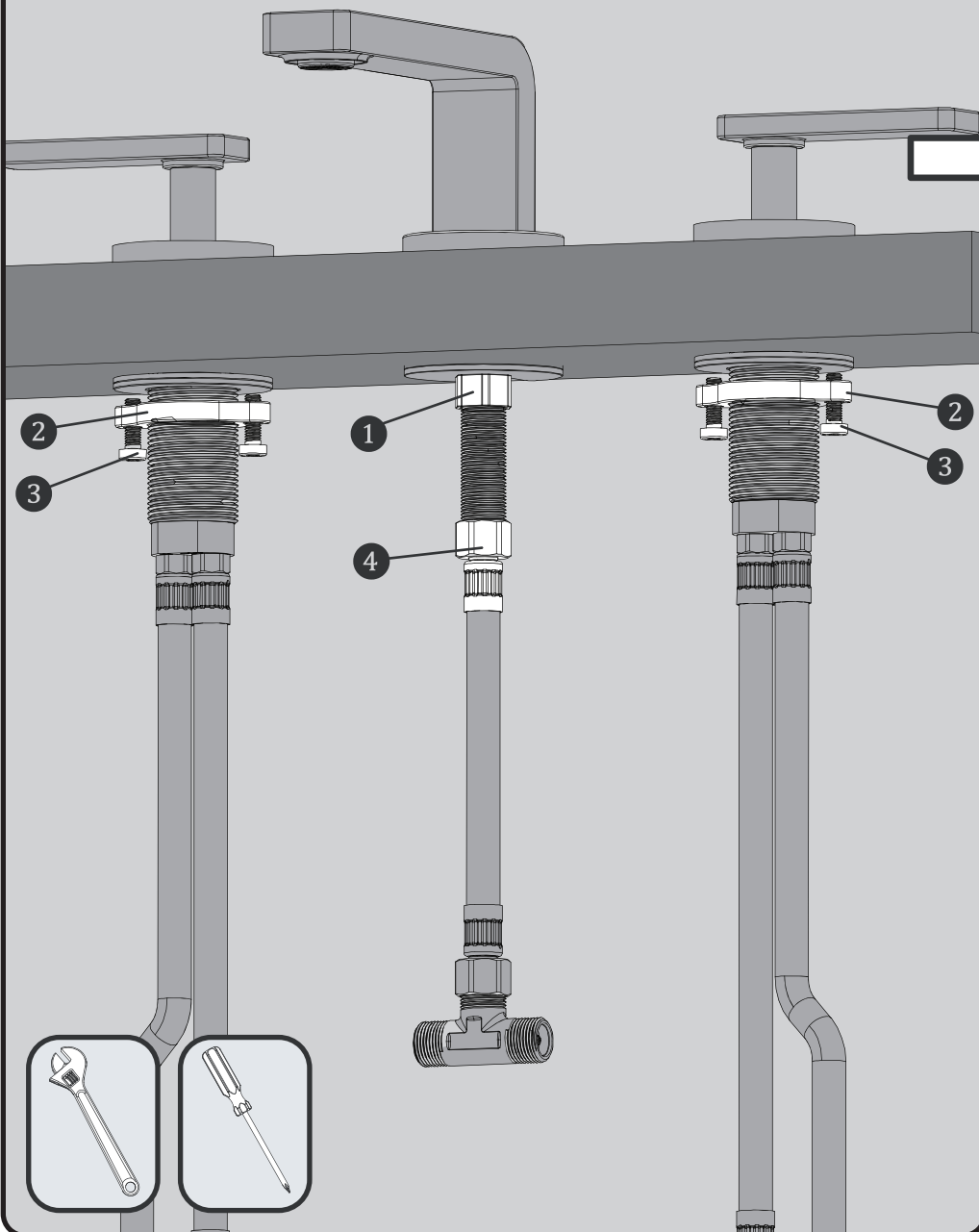


NOTE:
Opening within the Metal Washer (2) should face towards the rear.

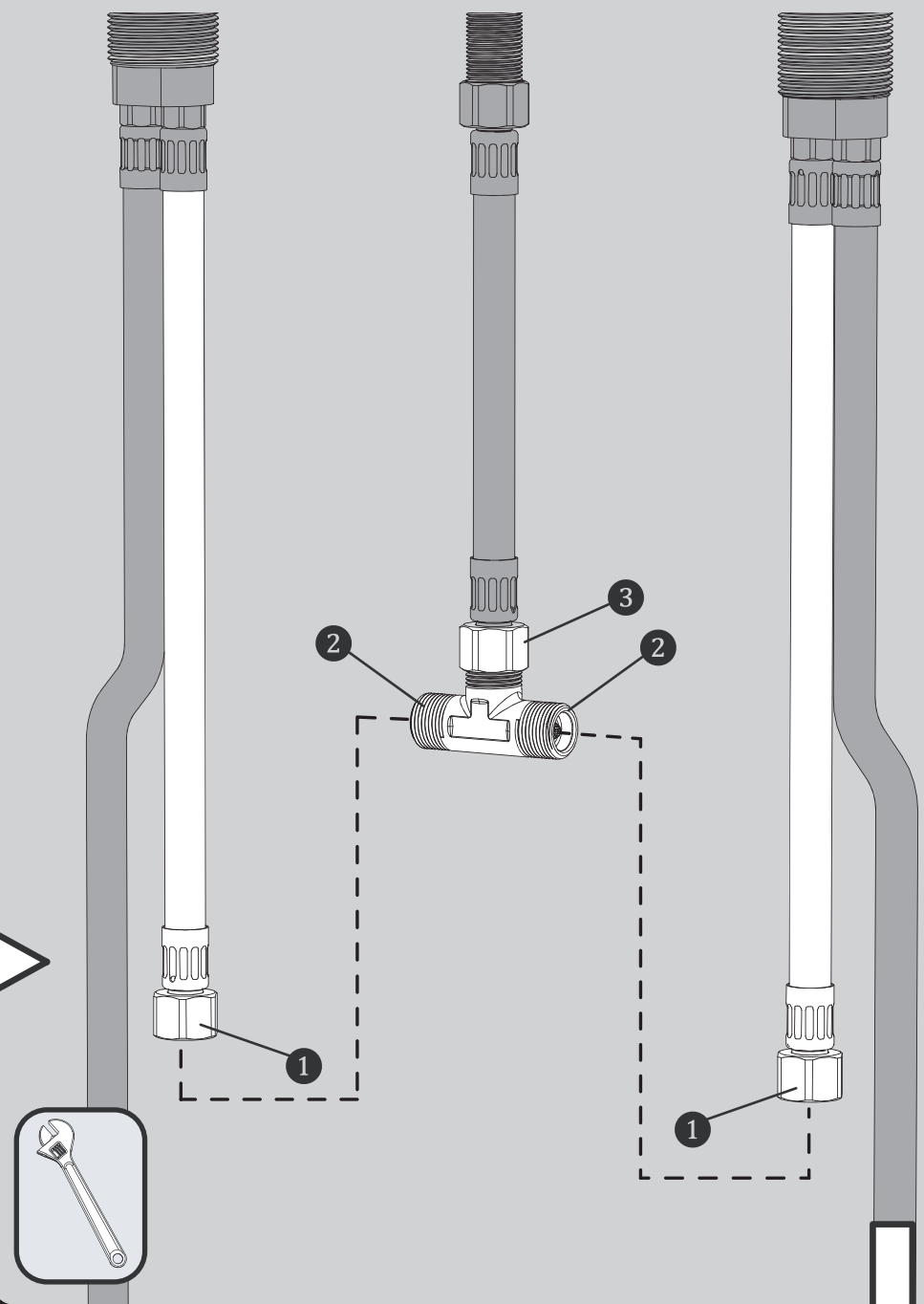
6 From above, verify that both the COLD and HOT handles are in the OFF position. Position Spout and Handle bases so that they are aligned horizontally.



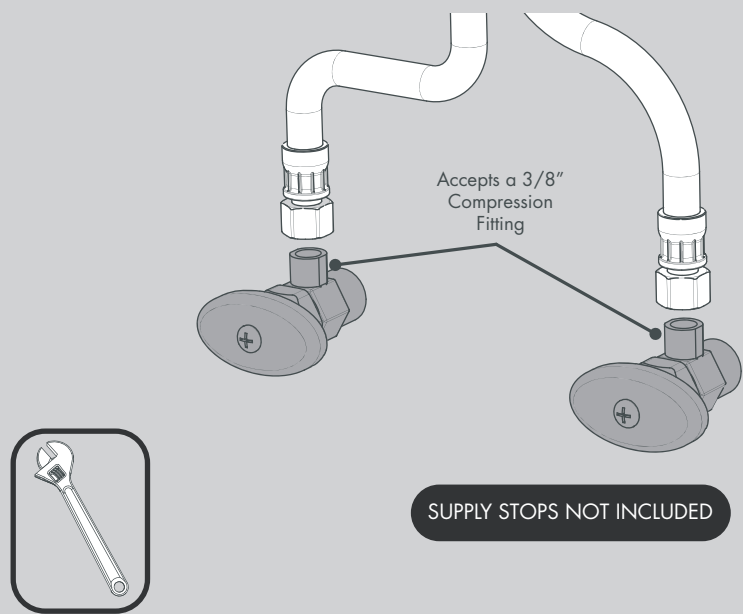
7 While maintaining the proper alignment, Wrench Tighten Spout Mounting Nut (1). Then snug Endbody Mounting Nuts (2). Final tightening of Endbody mounting is accomplished by Tightening the Mounting Screws (3) using a Phillips Screwdriver. Wrench tighten Spout Inlet Hose (4).



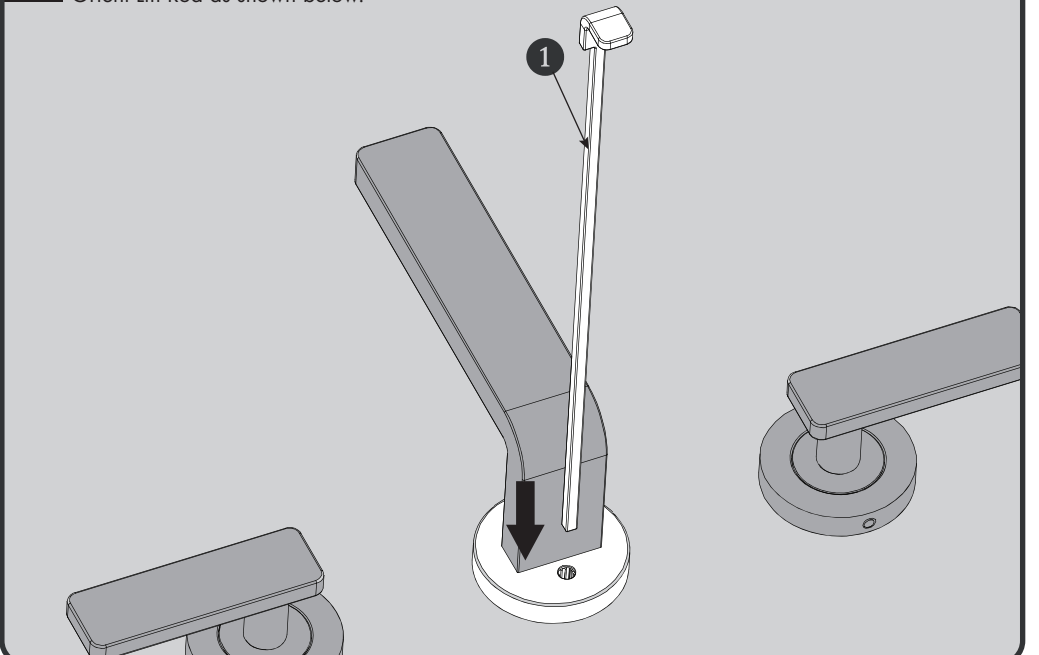
8 From below, install the Endbody Outlet Hoses (1) (shorter hose) to the Inlet Tee of the Spout (2). Wrench Tighten. Wrench tighten Spout Inlet Hose (3) to Inlet Tee (2)



9 Make connections to water supplies. The inlet threads of the faucet are 9/16"-24 UNEF and will accept a 3/8" Compression Fitting. Wrench Tighten.



10 Insert Lift Rod (1) down into the hole in the flange in the back of the Spout. Orient Lift Rod as shown below.



11 Remove Stopper **1**, Flange Nut **2**, and Flange Washer **3** from Drain Assembly.

12 From beneath, insert Drain Assembly through drain hole in sink. Attach supplied Flange Washer **1** or plumber's putty to the underside of the Flange **2**. Secure Flange **2** to the Drain Assembly. Align the Drain Assembly as shown below.

13 From beneath, secure Rubber Washer **1**, Plastic Washer **2**, and Mounting Nut **3**. Wrench tighten.

14 Remove Pivot Nut **1**, from Drain Assembly. Install Outer Pivot Washer **2**, and Pivot Rod **3**. Ensure that Inner Pivot Washer **4** is retained in Drain Assembly. Insert Pivot Rod into Drain Assembly and install Stopper **5** as non-removable. Secure Pivot Rod to Drain Assembly by tightening Pivot Nut **1**.

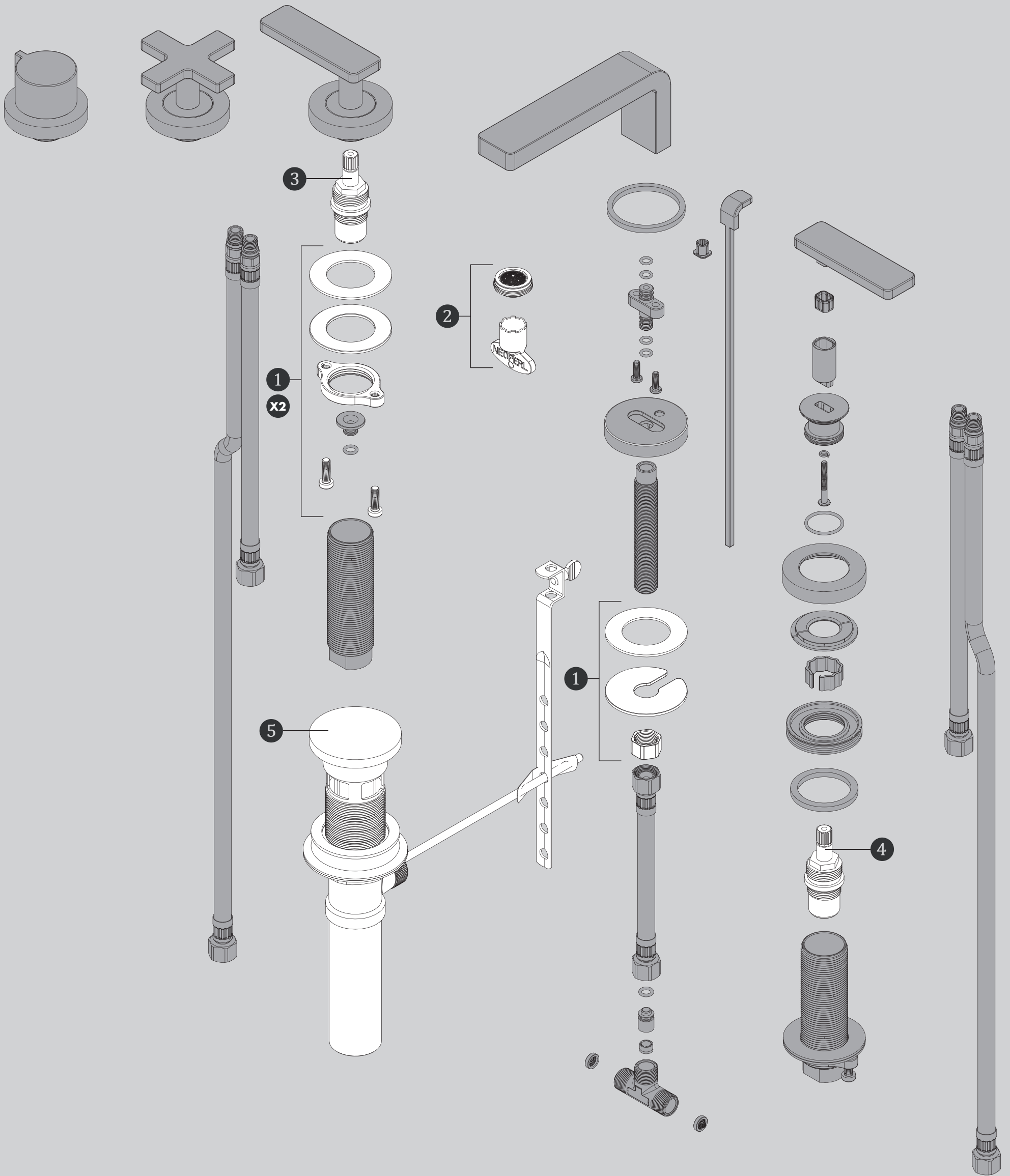
15 Place one end of Spring Clip **1**, on Pivot Rod **2**. Insert Pivot Rod **2** through a hole in the Lift Rod Strap **3**. Secure with Spring Clip **1**.

16 Place Drain into the open position by pressing downward on the Pivot Rod **1**. Insert Lift Rod **2** into Strap **3**. Adjust height of Lift Rod **2**, and tighten Thumb Screw **4**.

17 Additional adjustments can be made to ensure a proper seal between the Drain Stopper **1** and Drain Assembly. Remove Pivot Nut **2**, from Drain Assembly. Slide out Pivot Rod Assembly **3**. Remove Drain Stopper **1**. Additional adjustments can be made by either threading in or out the eyelet portion of the Drain Stopper **1**.

18 Turn on water supplies and flush both COLD and HOT cartridges for one minute, while checking for leaks. Return Handles to closed position when complete.

19 Install Aerator. Tighten with included Aerator Wrench.



ITEM NO.	PART NO.	DESCRIPTION
1	RPG05-106848	MOUNTING HARDWARE
2	RPG05-1113	AERATOR BAG GROUP
3	RPG05-106850	HOT WATER REPLACEMENT CARTRIDGE
4	RPG05-106851	COLD WATER REPLACEMENT CARTRIDGE
5	S-3357-XX (XX = FINISH)	REPLACEMENT "LIFT ROD" DRAIN ASSEMBLY

NOTES:

COMPLIANCE:

ASME A112.18.1/CSA B 125.1
 AB1953
 NSF 372
 NSF 61

FLOW:

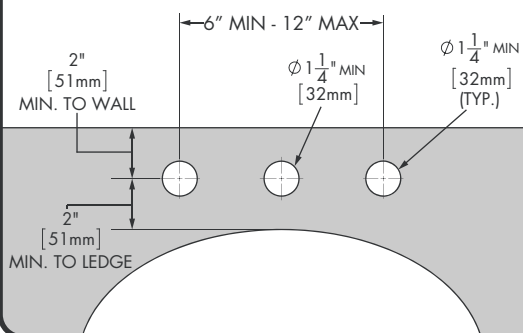
Flow Rate: 1.2 gpm
 Flow Type: Aerated

CONNECTIONS:

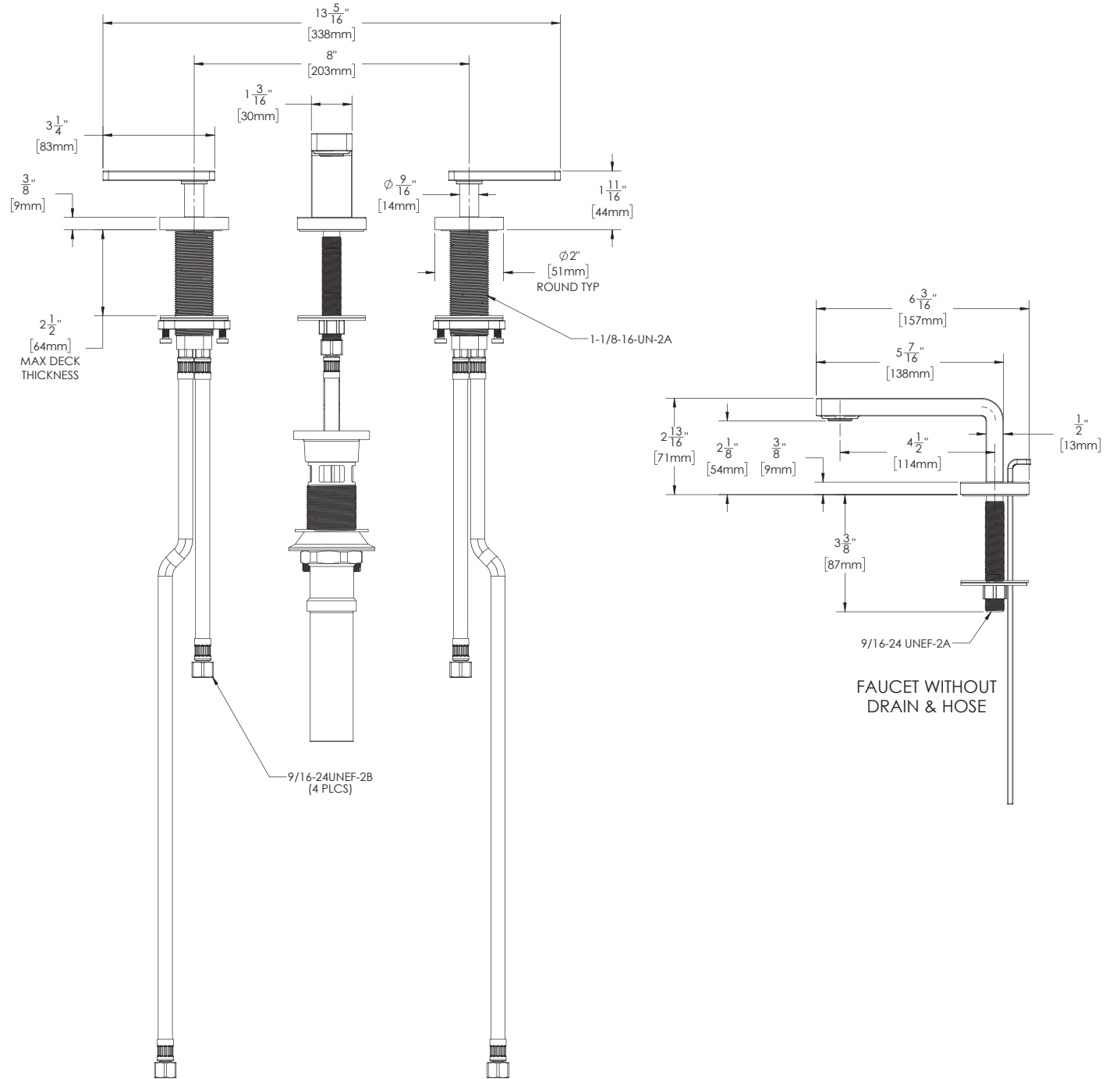
For flexible hose connection
 Hot Supply- 9/16-24UNEF-2B
 Cold Supply- 9/16-24UNEF-2B

Contractor to supply necessary connections to the inlets of the end bodies.

LAVATORY ROUGH-IN



DIMENSIONS SUBJECT TO CHANGE WITHOUT NOTICE.



NOTES:

COMPLIANCE:

ASME A112.18.1/CSA B 125.1
 AB1953
 NSF 372
 NSF 61

FLOW:

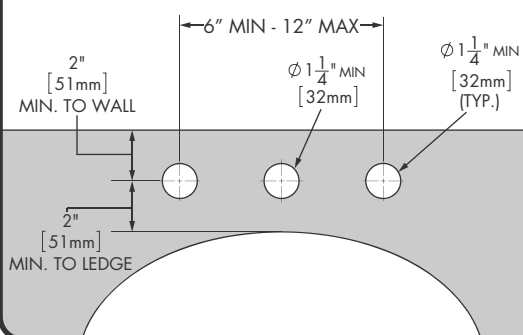
Flow Rate: 1.2 gpm
 Flow Type: Aerated

CONNECTIONS:

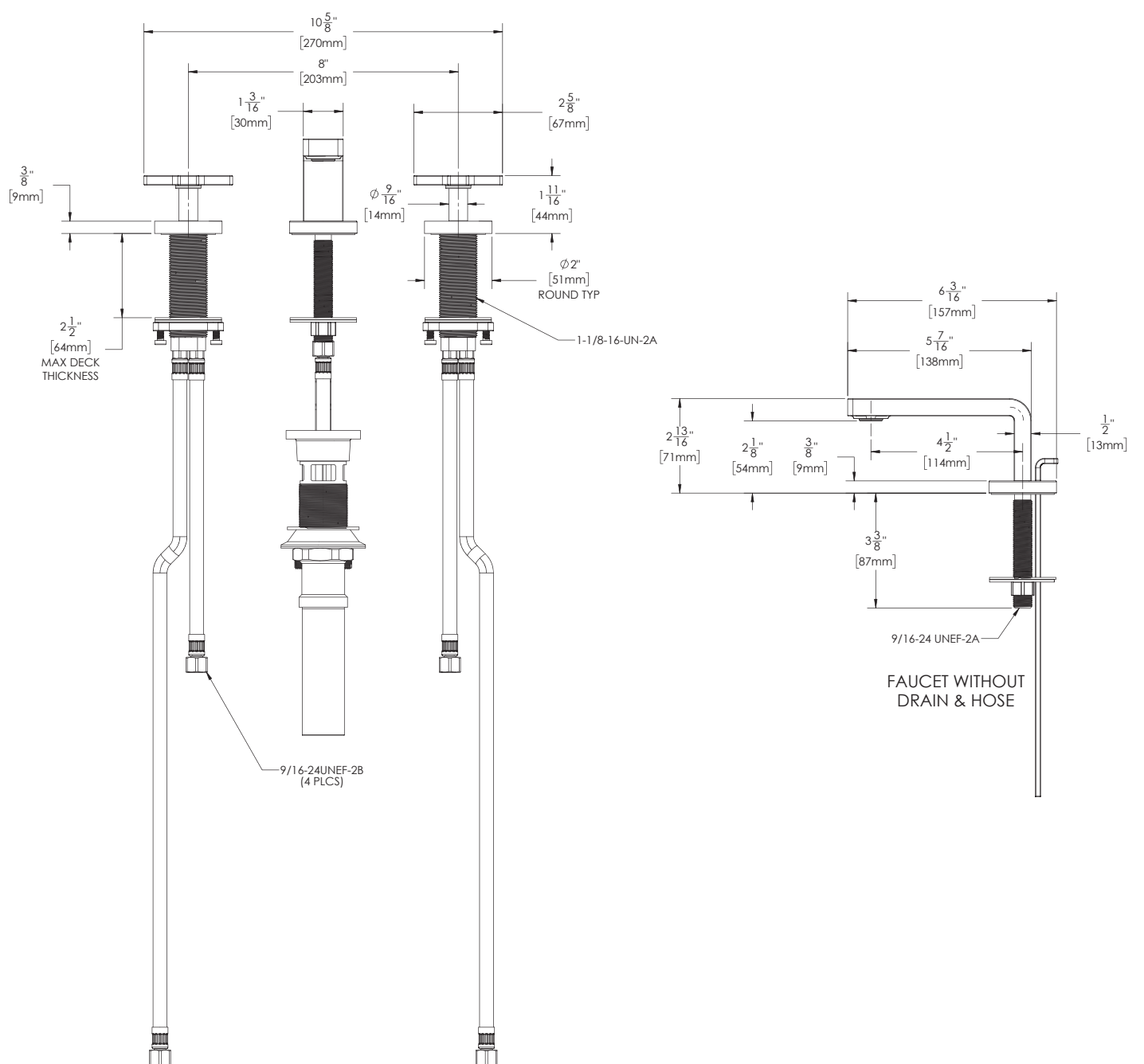
For flexible hose connection
 Hot Supply- 9/16-24UNEF-2B
 Cold Supply- 9/16-24UNEF-2B

Contractor to supply necessary connections to the inlets of the end bodies.

LAVATORY ROUGH-IN



DIMENSIONS SUBJECT TO CHANGE WITHOUT NOTICE.



NOTES:

COMPLIANCE:

ASME A112.18.1/CSA B 125.1
 AB1953
 NSF 372
 NSF 61

FLOW:

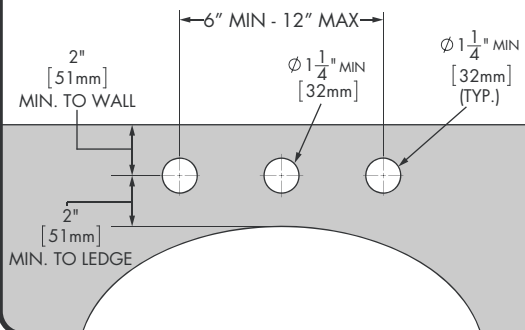
Flow Rate: 1.2 gpm
 Flow Type: Aerated

CONNECTIONS:

For flexible hose connection
 Hot Supply- 9/16-24UNEF-2B
 Cold Supply- 9/16-24UNEF-2B

Contractor to supply necessary connections to the inlets of the end bodies.

LAVATORY ROUGH-IN



DIMENSIONS SUBJECT TO CHANGE WITHOUT NOTICE.

