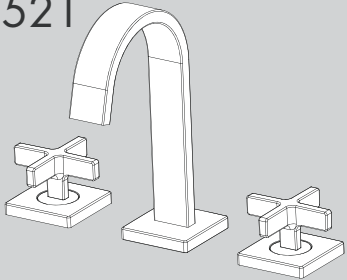
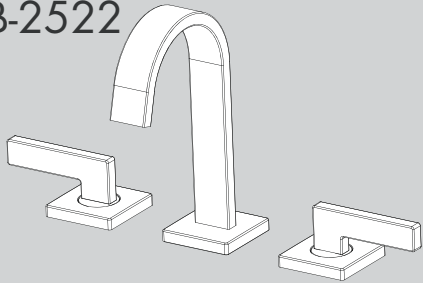


INSTRUCTIONS FOR MODELS

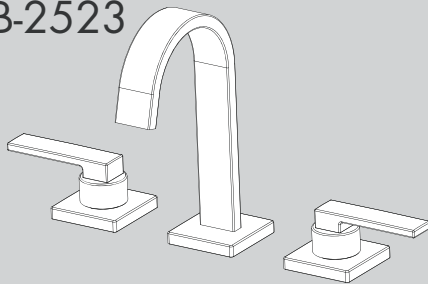
SB-2521



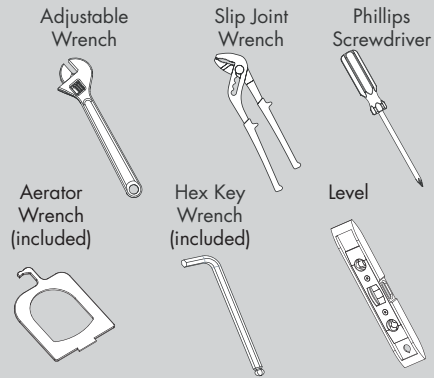
SB-2522



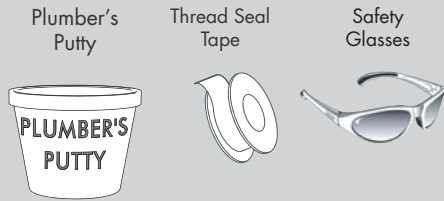
SB-2523



TOOLS AND SUPPLIES



HELPFUL TOOLS & SUPPLIES:



IMPORTANT

- Do not over-tighten any connections or damage may occur.
- Be sure to read instructions thoroughly before beginning installation.
- This faucet has an operating range of 20-80 psi.

SAFETY TIPS

Cover your drain to prevent loss of parts. Be sure to wear eye protection while cutting pipe.

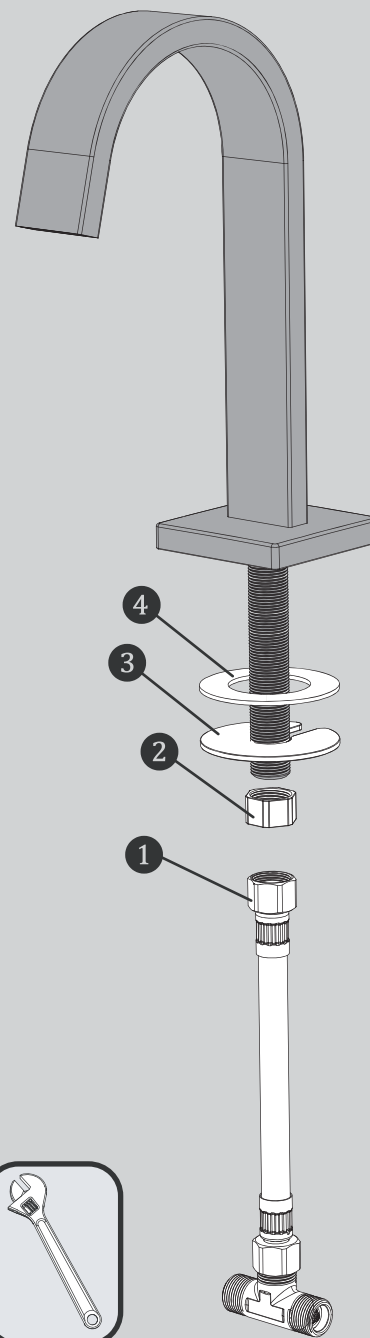
MAINTENANCE

Your new Speakman Product is designed for years of trouble-free performance. Keep it looking new by cleaning it periodically with a soft cloth. The use of harsh chemicals and abrasives on any of the Speakman custom finish products may damage the finish and void the product warranty. Please be sure to only use approved cleaners. Please contact Speakman for any clarification of acceptable cleaners.

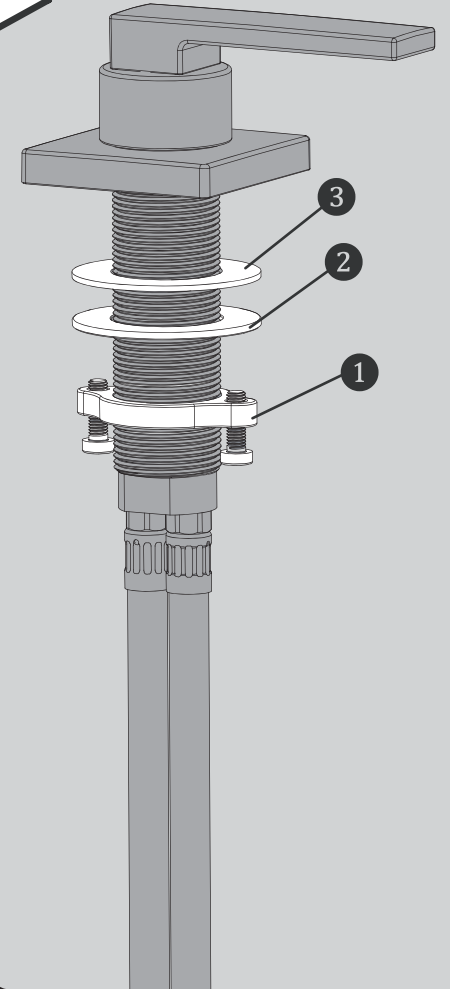
WARRANTY

Additional warranty information can be found at: www.speakman.com

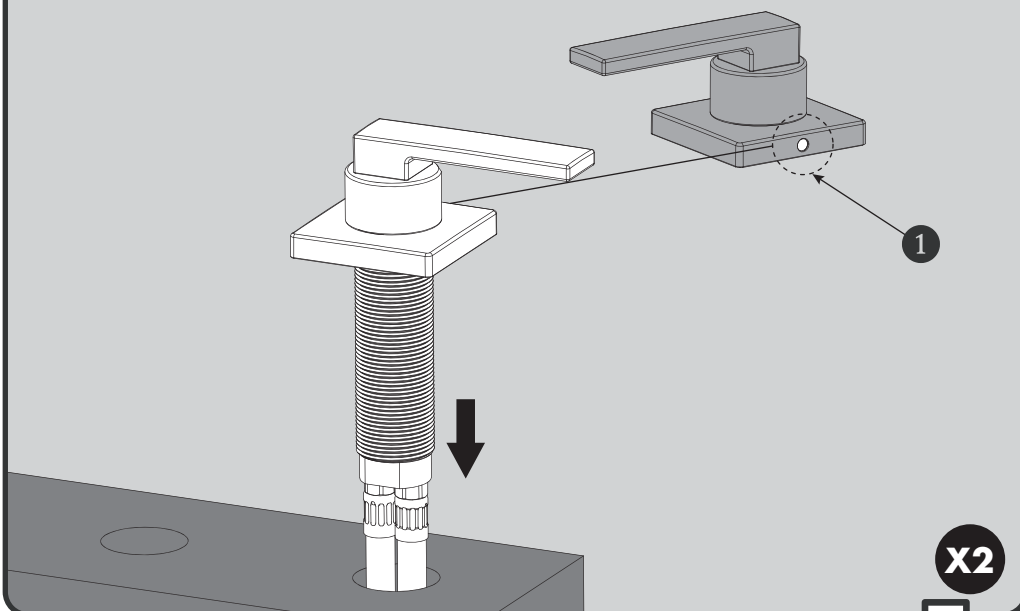
1 Remove Inlet Hose Assembly (1), Mounting Nut (2), Metal Washer (3), and Rubber Washer (4) from Spout.



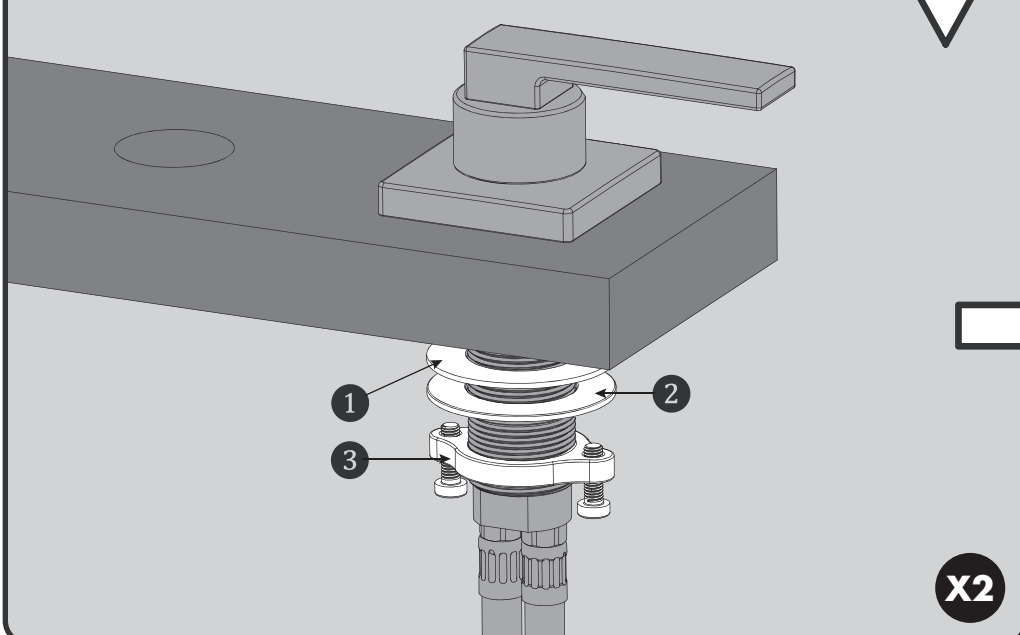
2 Remove Mounting Nut (1), Metal Washer (2), and Rubber Washer (3) from Cold Endbody Assembly. Repeat process for Hot Endbody Assembly



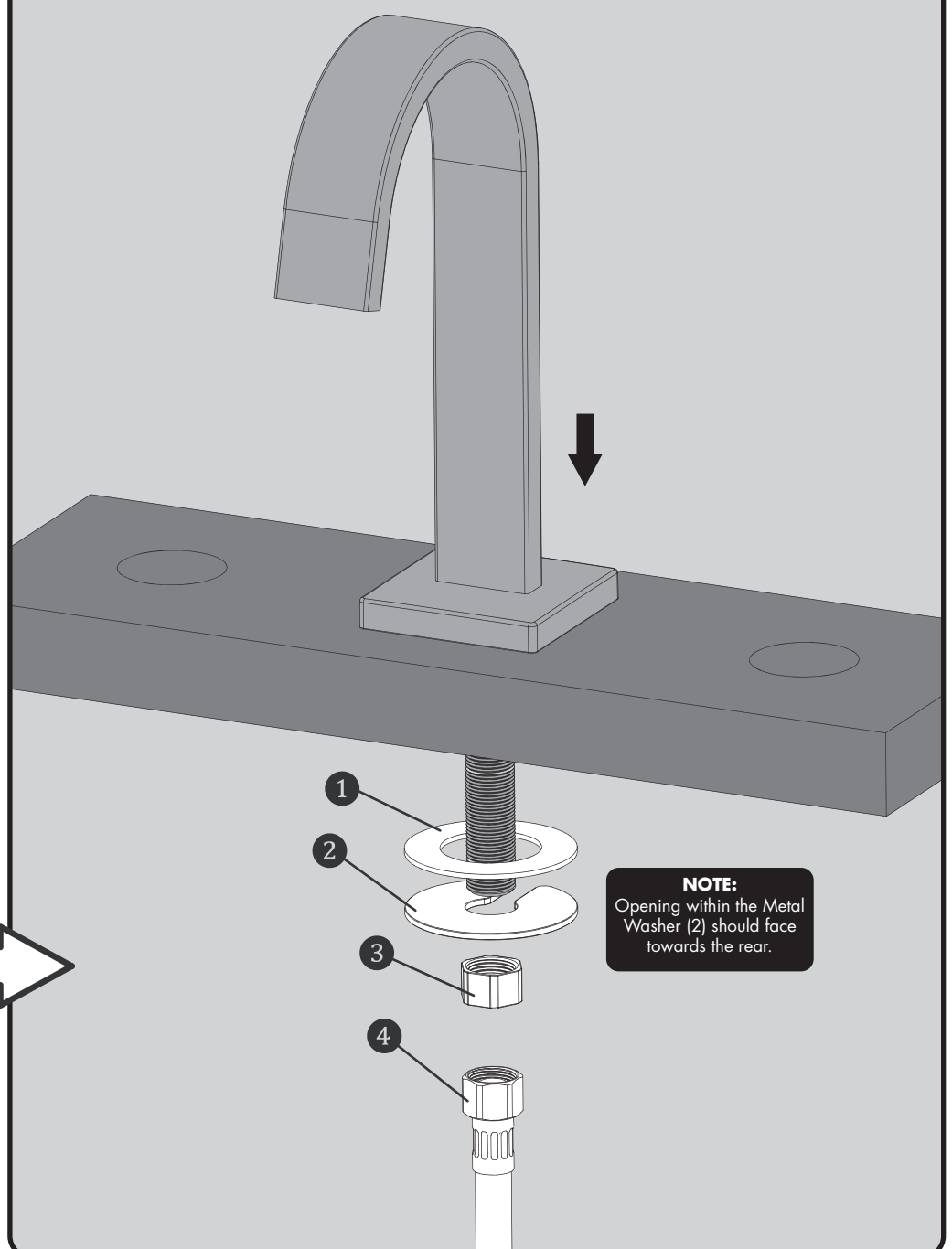
3 The "COLD" and "HOT" Endbody Assemblies are clearly marked. Place COLD Endbody Assembly through the appropriate hole in the counter top. Align Endbody Assembly so the Rubber Access Plug (1) is facing the rear. Repeat process for the HOT Endbody Assembly.



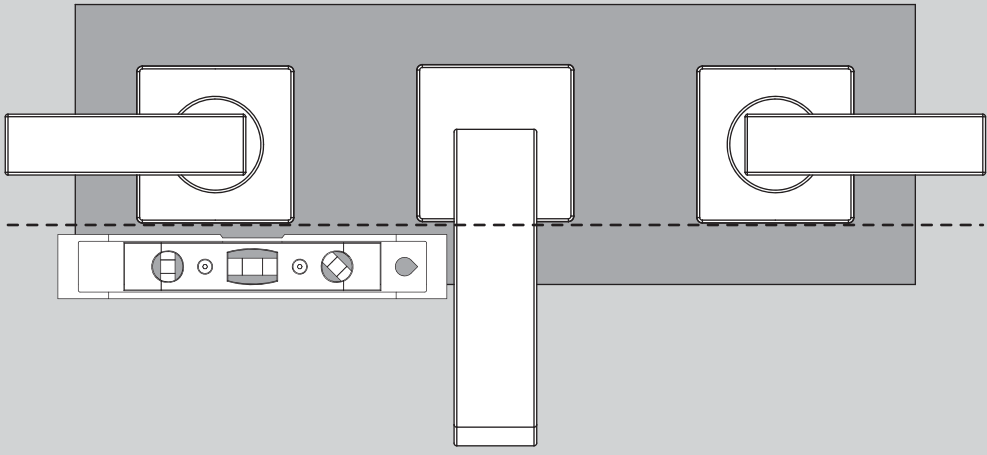
4 From below, reinstall the Endbody Rubber Washer (1), Metal Washer (2), and Mounting Nut (3). Loosely assemble at this time. Repeat process for the HOT Endbody Assembly.



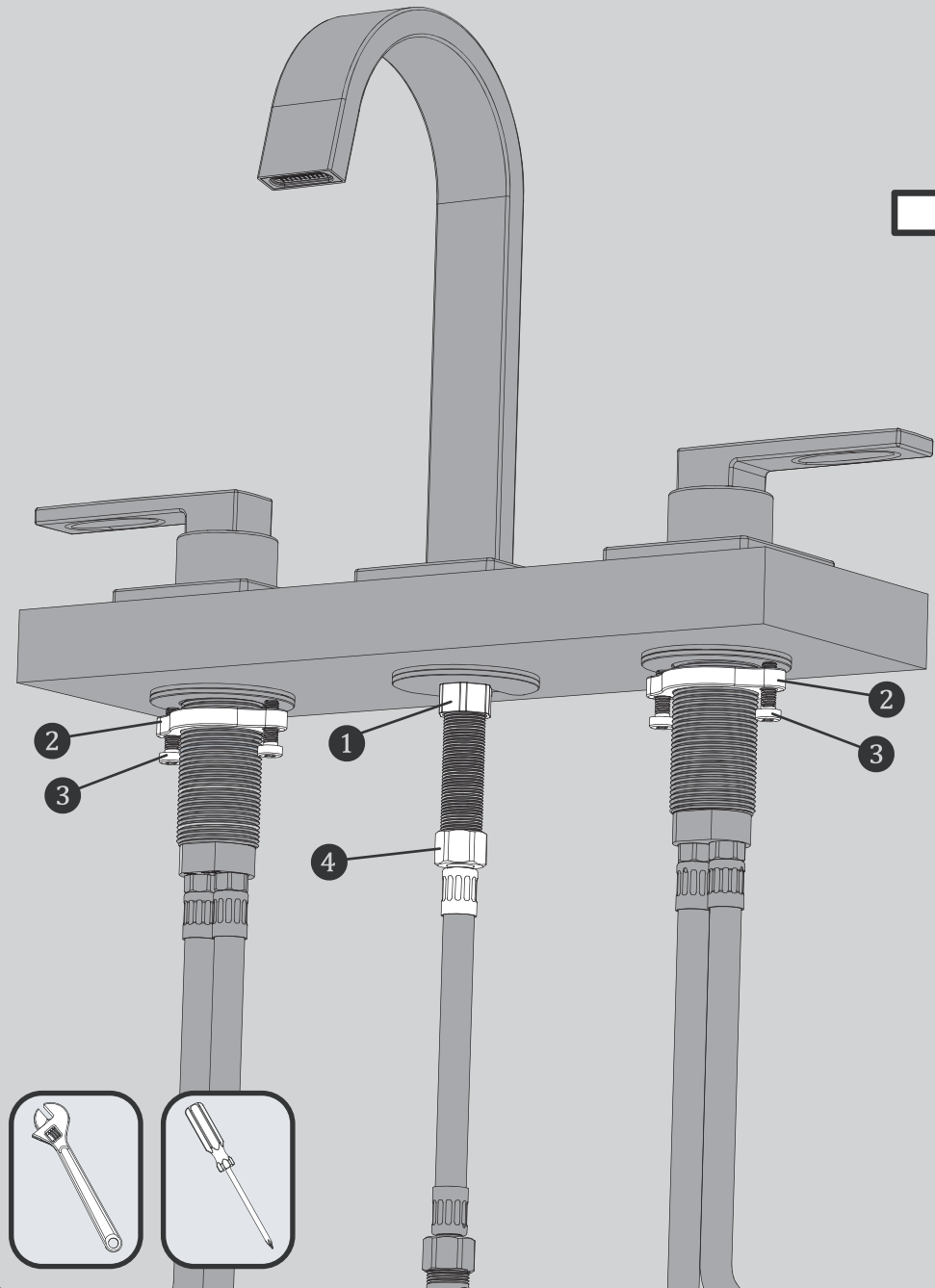
5 Place Spout Assembly through the center hole of counter top. From below, reinstall the Spout Rubber Washer (1), Metal Washer (2), and Mounting Nut (3). Loosely assemble at this time. Reinstall Inlet Hose Assembly (4)



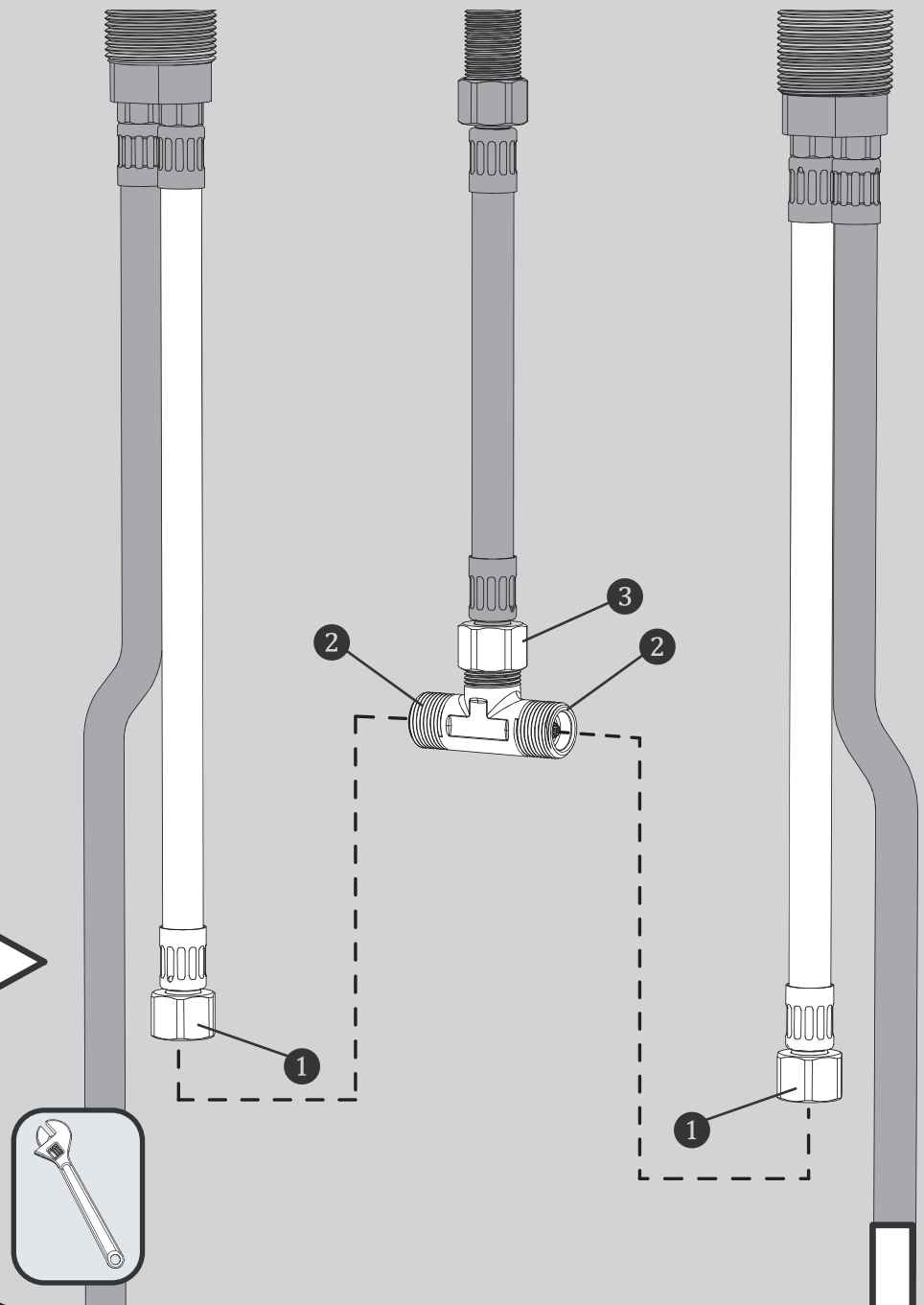
6 From above, align Spout and Handle bases so that they are aligned horizontally.



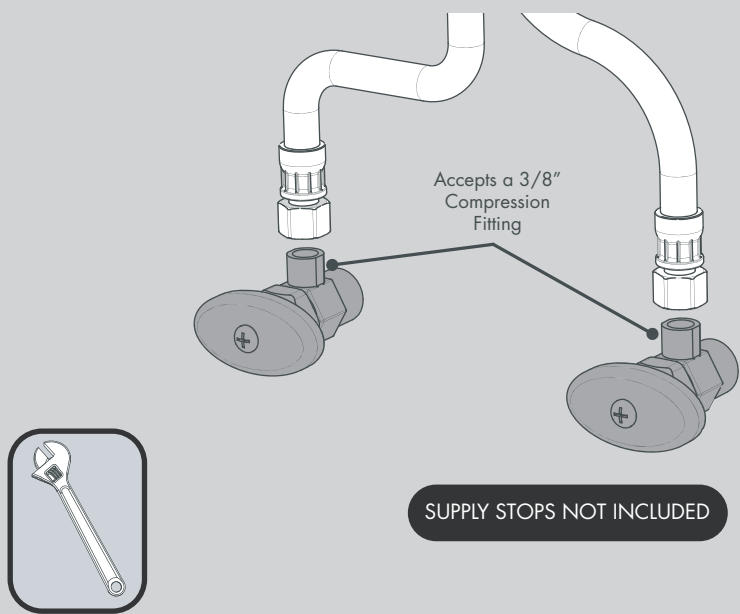
7 While maintaining the proper alignment, Wrench Tighten Spout Mounting Nut (1). Then snug Endbody Mounting Nuts (2). Final tightening of Endbody mounting is accomplished by Tightening the Mounting Screws (3) while using a Phillips Screwdriver. Wrench tighten Spout Inlet Hose (4).



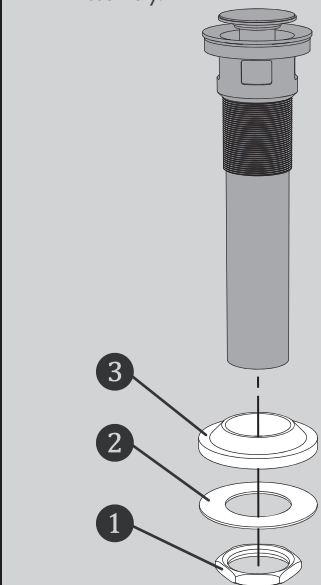
8 From below, install the Endbody Outlet Hoses (1) (shorter hose) to the Inlet Tee of the Spout (2). Wrench Tighten. Wrench tighten Spout Inlet Hose (3) to Inlet Tee (2)



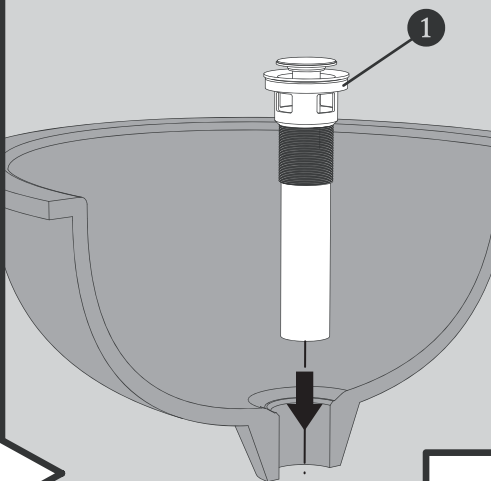
9 Make connections to water supplies. The inlet threads of the faucet are 9/16"-24 UNEF and will accept a 3/8" Compression Fitting. Wrench Tighten.



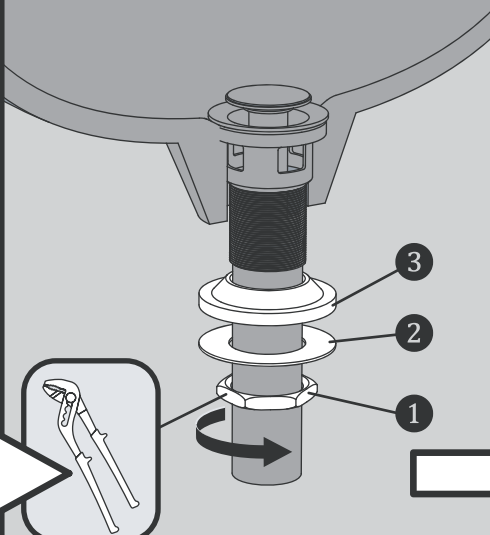
10 Remove Mounting Nut (1), Metal Washer (2), and Sealing Washer (3) from Drain Assembly.



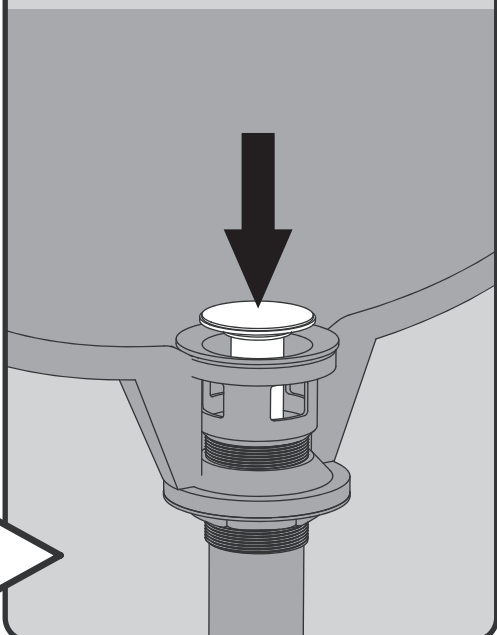
11 Apply included Upper Drain Seal (1) or Plumber's Putty to the underside of the Upper Flange. Insert Drain Assembly into drain hole of sink from above.



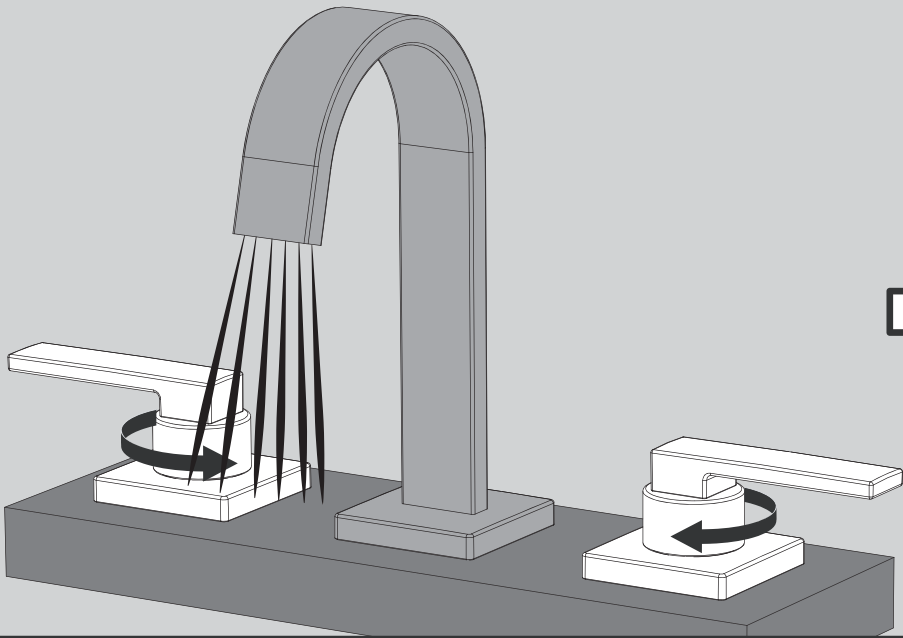
12 From below, install Sealing Washer (3), Metal Washer (2), and secure with Mounting Nut (1). Tighten with Slip Joint Pliers. Take care to not over-tighten connection.



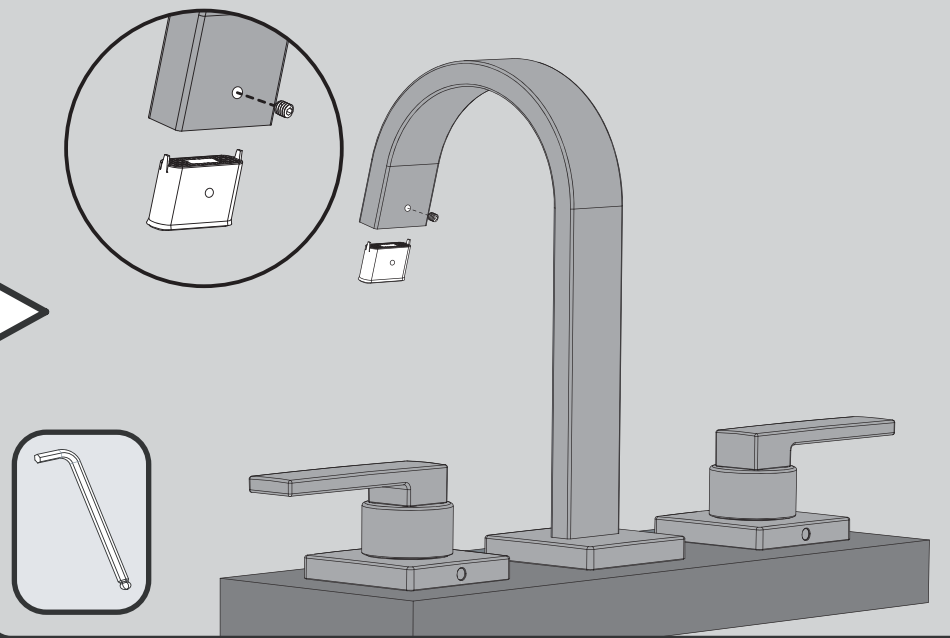
13 Test Drain operation by pressing down on Stopper to open/close Drain.



14 Turn on water supplies and flush both COLD and HOT cartridges for one minute, while checking for leaks. Return Handles to closed position when complete.

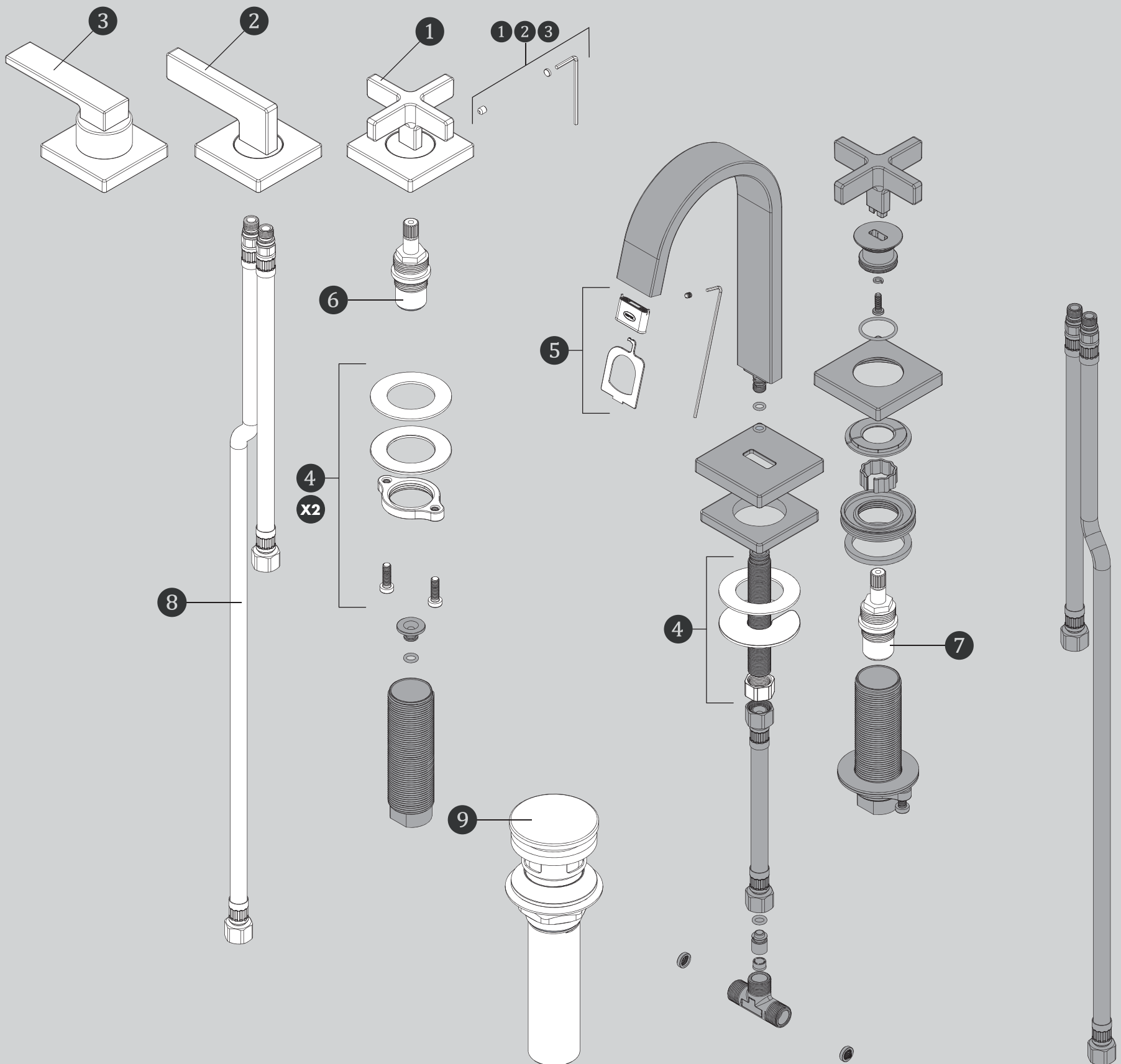


15 Align threaded hole of Aerator towards the rear as shown above. Install Aerator and secure into position using the included Hex Wrench.



SB-25XX REPAIR PARTS

SPEAKMAN®



ITEM NO.	PART NO.	DESCRIPTION
1	RPG04-103908-XX (XX = FINISH)	CROSS HANDLE REPLACEMENT ASSEMBLY
2	RPG04-103909-XX (XX = FINISH)	LEVER HANDLE REPLACEMENT ASSEMBLY
3	RPG04-103910-XX (XX = FINISH)	PLATFORM LEVER REPLACEMENT ASSEMBLY
4	RPG05-106848	MOUNTING HARDWARE
5	RPG05-106849	AERATOR BAG GROUP
6	RPG05-106850	HOT WATER REPLACEMENT CARTRIDGE
7	RPG05-106851	COLD WATER REPLACEMENT CARTRIDGE
8	RPG63-106852	S/S BRAIDED SUPPLY HOSE REPLACEMENT GROUP
9	S-3470-XX (XX = FINISH)	REPLACEMENT "PUSH ACTIVATED" DRAIN ASSEMBLY

NOTES:

COMPLIANCE:

ASME A112.18.1/CSA B 125.1
 AB1953
 NSF 372
 NSF 61

FLOW:

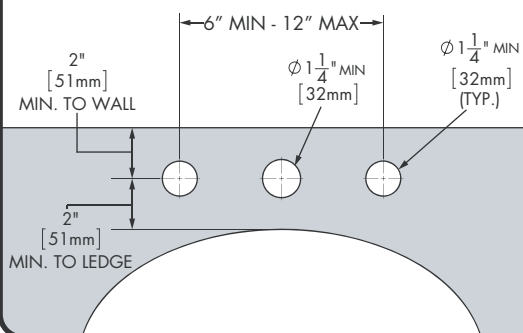
Flow Rate: 1.2 gpm
 Flow Type: Aerated

CONNECTIONS:

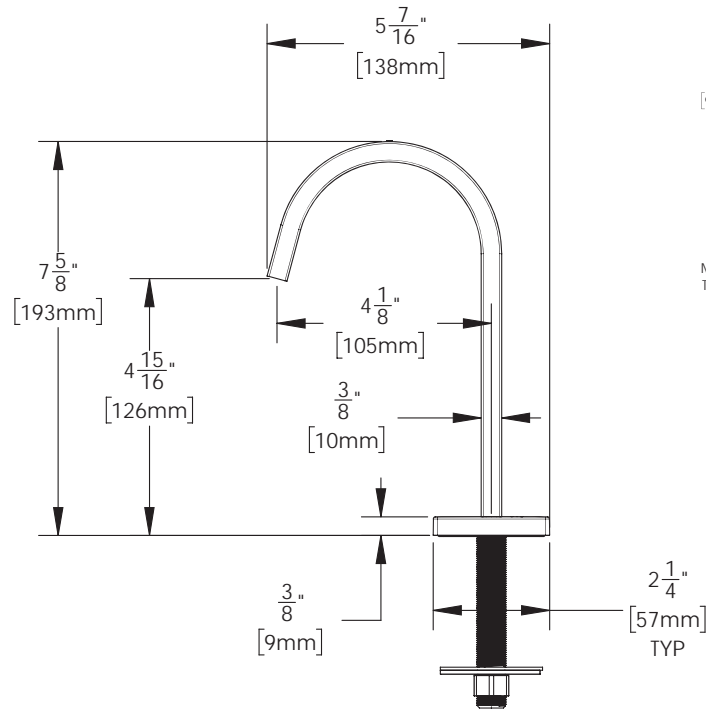
For flexible hose connection
 Hot Supply- 9/16-24UNEF-2B
 Cold Supply- 9/16-24UNEF-2B

Contractor to supply necessary connections to the inlets of the end bodies.

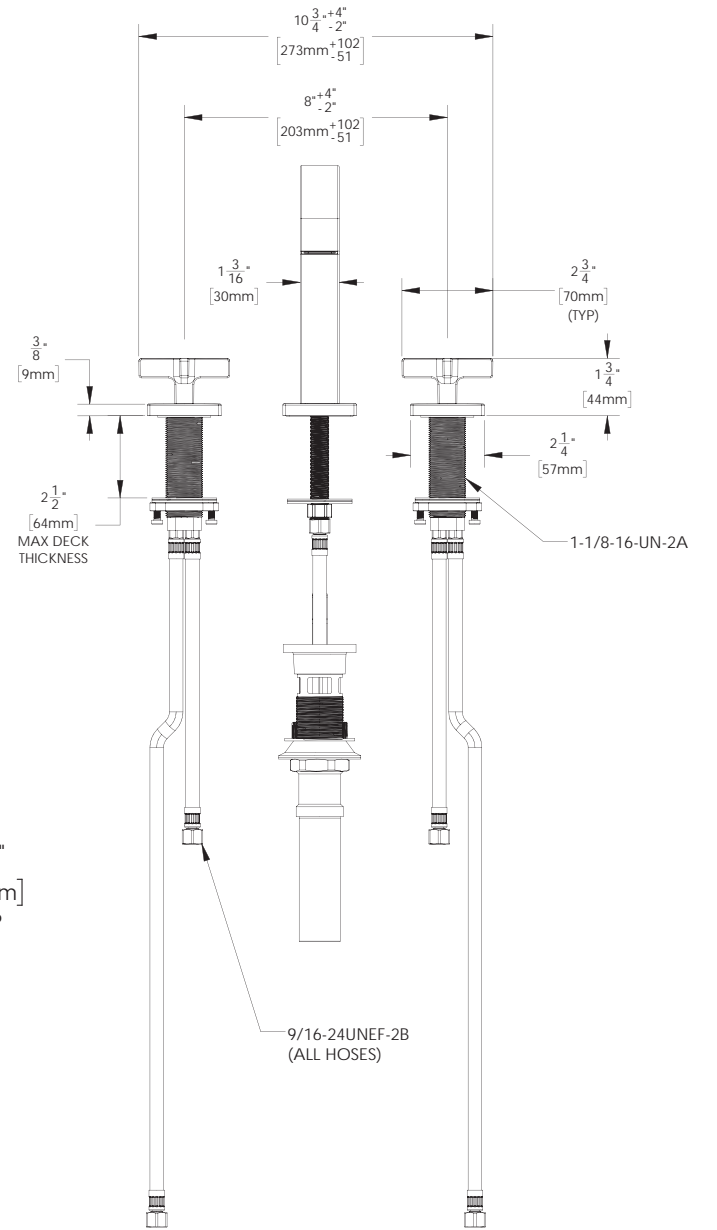
LAVATORY ROUGH-IN



DIMENSIONS SUBJECT TO CHANGE WITHOUT NOTICE.



SPOUT ONLY VIEW



NOTES:

COMPLIANCE:

ASME A112.18.1/CSA B 125.1
 AB1953
 NSF 372
 NSF 61

FLOW:

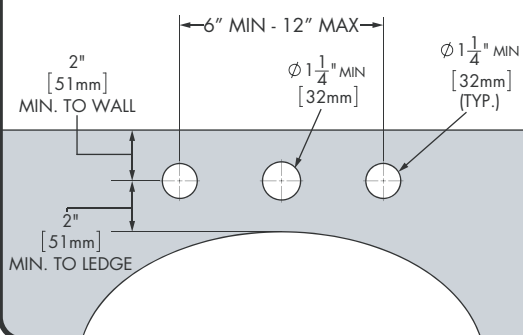
Flow Rate: 1.2 gpm
 Flow Type: Aerated

CONNECTIONS:

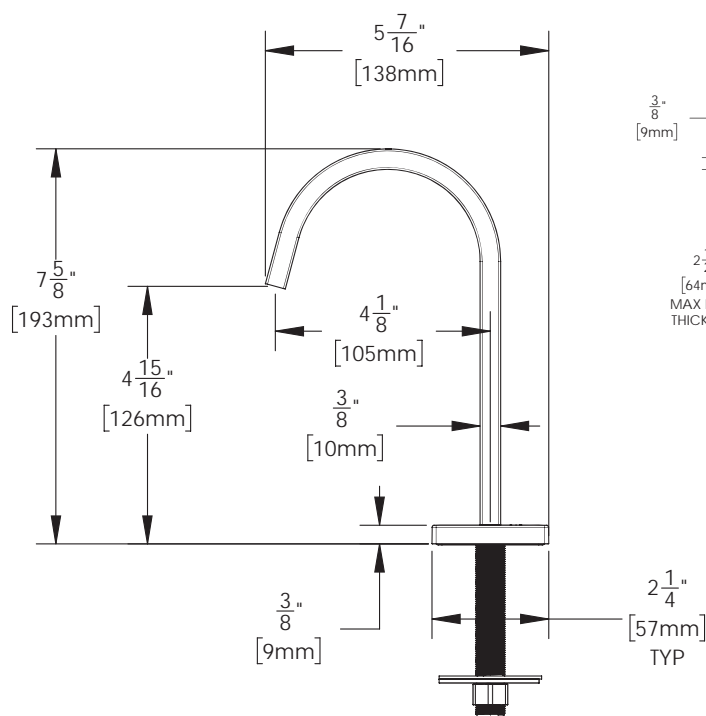
For flexible hose connection
 Hot Supply- 9/16-24UNEF-2B
 Cold Supply- 9/16-24UNEF-2B

Contractor to supply necessary connections to the inlets of the end bodies.

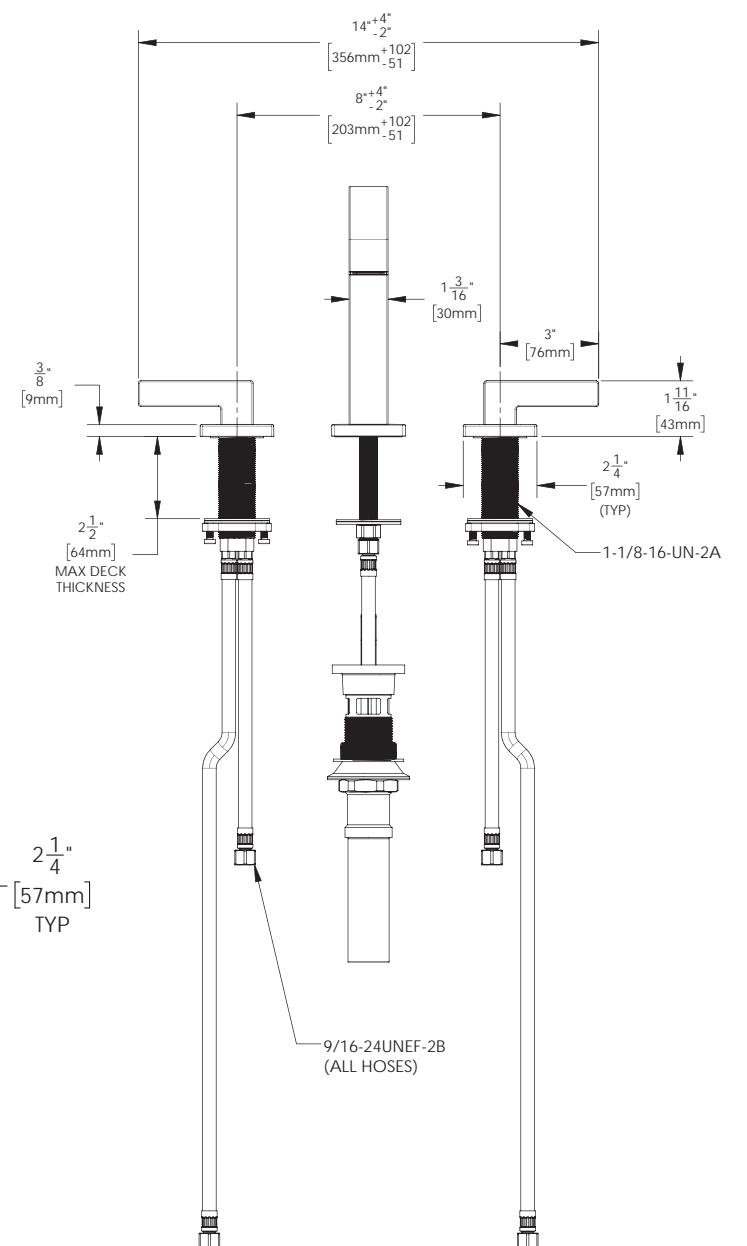
LAVATORY ROUGH-IN



DIMENSIONS SUBJECT TO CHANGE WITHOUT NOTICE.



SPOUT ONLY VIEW



NOTES:

COMPLIANCE:

ASME A112.18.1/CSA B 125.1
 AB1953
 NSF 372
 NSF 61

FLOW:

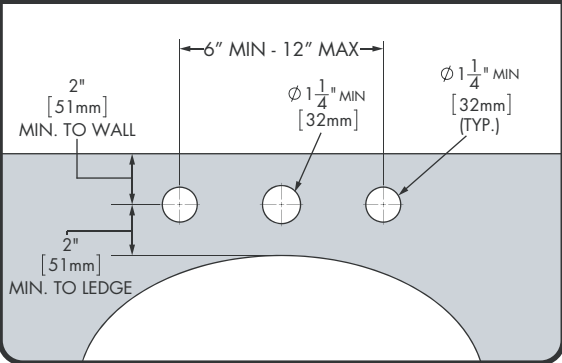
Flow Rate: 1.2 gpm
 Flow Type: Aerated

CONNECTIONS:

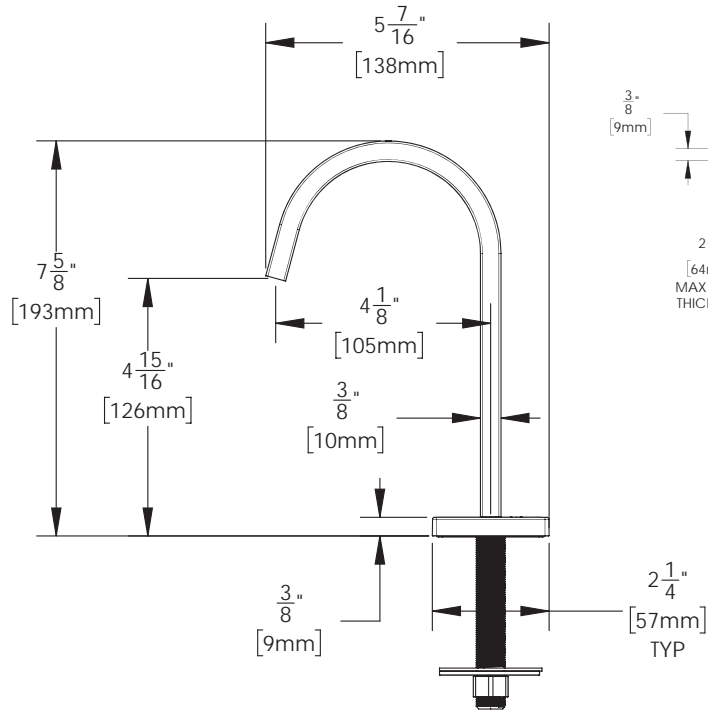
For flexible hose connection
 Hot Supply- 9/16-24UNEF-2B
 Cold Supply- 9/16-24UNEF-2B

Contractor to supply necessary connections to the inlets of the end bodies.

LAVATORY ROUGH-IN



DIMENSIONS SUBJECT TO CHANGE WITHOUT NOTICE.



SPOUT ONLY VIEW

