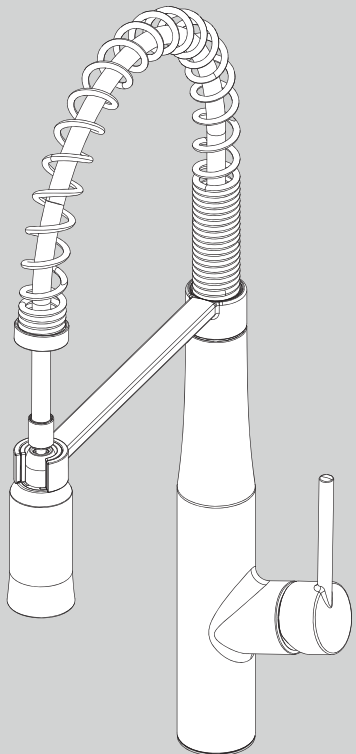
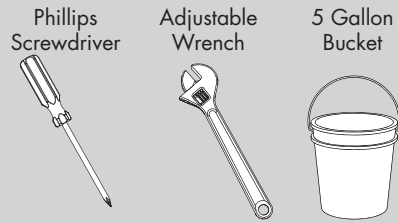


INSTRUCTIONS FOR MODELS

SB-1043



TOOLS AND SUPPLIES



HELPFUL TOOLS & SUPPLIES:

Safety Glasses



IMPORTANT

- Do not over-tighten any connections or damage may occur.
- Be sure to read instructions thoroughly before beginning installation.
- This faucet has an operating range of 20-80 psi.

SAFETY TIPS

Cover your drain to prevent loss of parts. Be sure to wear eye protection while cutting pipe.

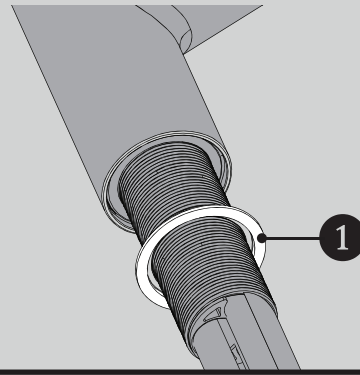
MAINTENANCE

Your new Speakman Product is designed for years of trouble-free performance. Keep it looking new by cleaning it periodically with a soft cloth. The use of harsh chemicals and abrasives may damage the finish and void the product warranty. Please be sure to only use approved cleaners. Please contact Speakman for any clarification of acceptable cleaners.

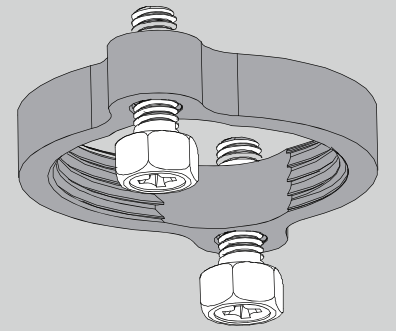
WARRANTY

Warranty information can be found at: www.speakman.com

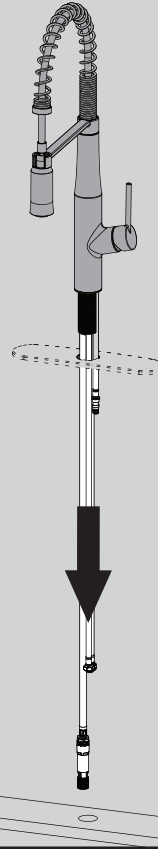
1 Place the Rubber Washer (1) over hoses and align to base of Faucet.
NOTE: For single hole sink only.



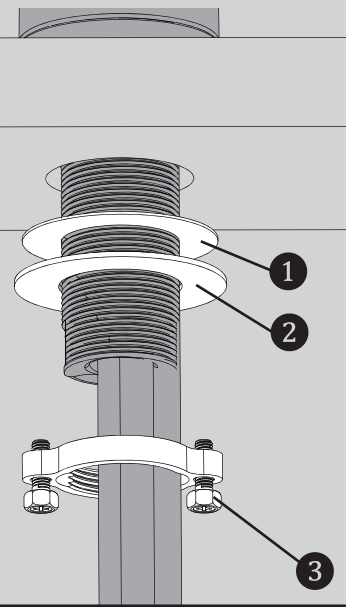
3 Partially thread the screws as shown on the Mounting Nut.



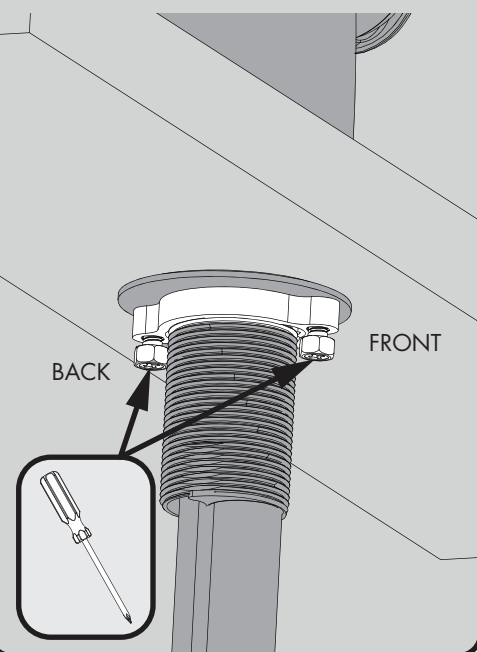
2 Place Hoses, one at a time, thru hole in mounting surface. Lower Faucet into position. If installing optional deckplate, place hoses through deckplate first.



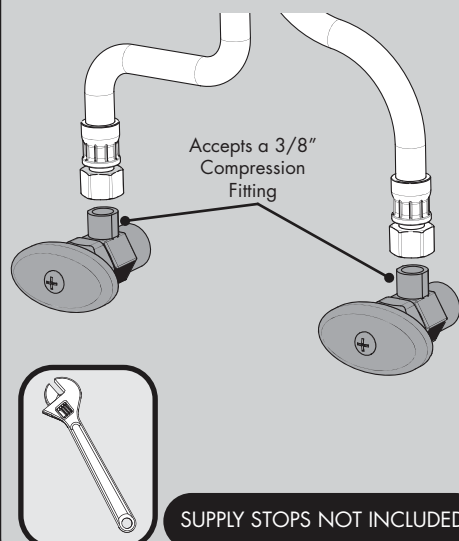
4 From below, install Rubber Washer (1), Metal Washer (2), and secure with Mounting Nut (3). Align Faucet to desired position and hand tighten Mounting Nut (3).



5 Position the screws to the front and back. Tighten the screws with Phillips Screwdriver.

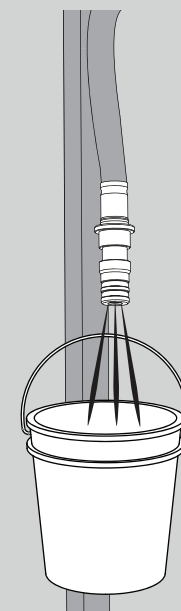


6 Make connections to water supplies. The inlet threads of the faucet are 9/16"-24 UNF and will accept a 3/8" Compression Fitting. Wrench Tighten.

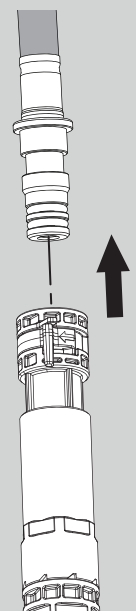


SUPPLY STOPS NOT INCLUDED

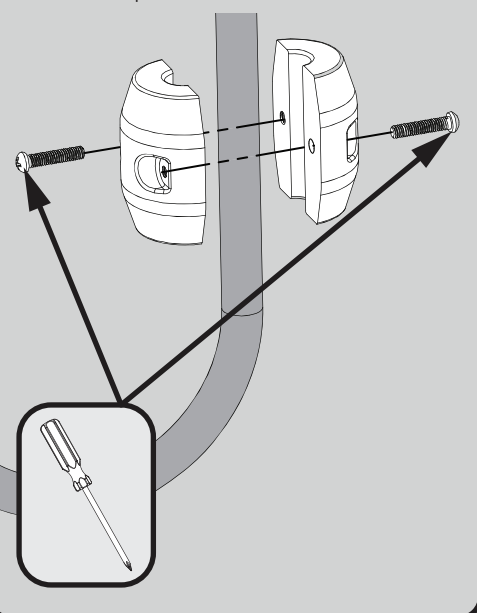
7 Place the spray hose (exiting from base of faucet) into a bucket. Turn ON water supplies. Flush both HOT and COLD water for 1 minute into the bucket.



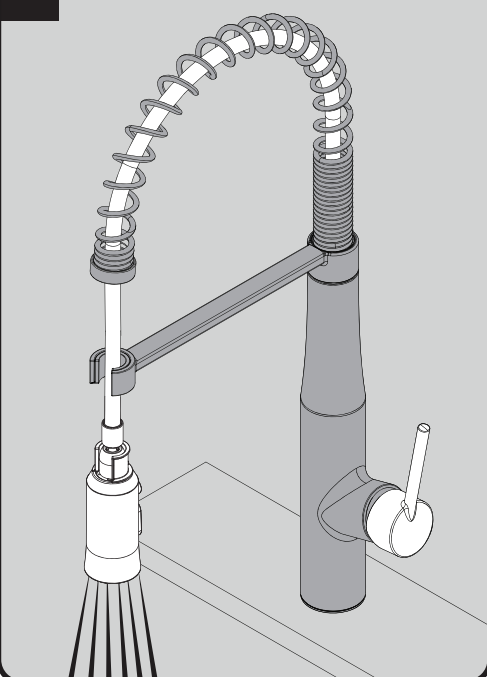
8 Turn OFF water supplies. Connect the spray hose to the outlet hose. This is a push to connect connection. Make sure to push the hose completely into the outlet fitting.

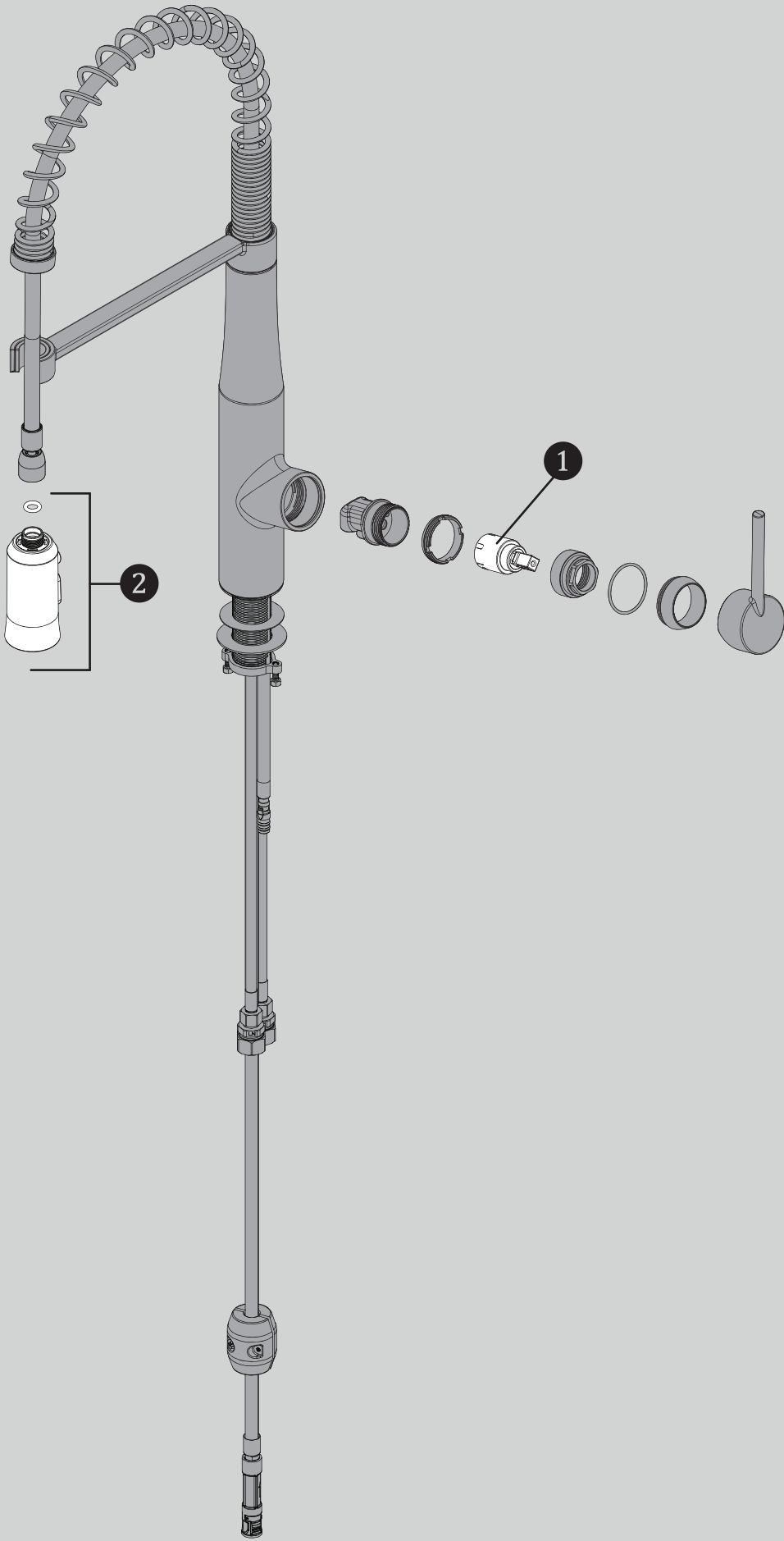


9 Use the provided screws to install the weight onto the sprayhead hose. Position the weight above the bottom of the hose loop. Check for smooth operation.



10 Turn ON water supplies and check for leaks.





ITEM NO.	PART NO.	DESCRIPTION
1	RPG05-112703	CARTRIDGE
2	RPG05-112890-XX (XX=FINISH)	SPRAYHEAD ASSEMBLY WITH SEAL

NOTES:

COMPLIANCE:

- ASME A112.18.1/CSA B125.1
- NSF/ANSI 61
- NSF/ANSI 372
- CEC (CALIFORNIA ENERGY COMMISSION)

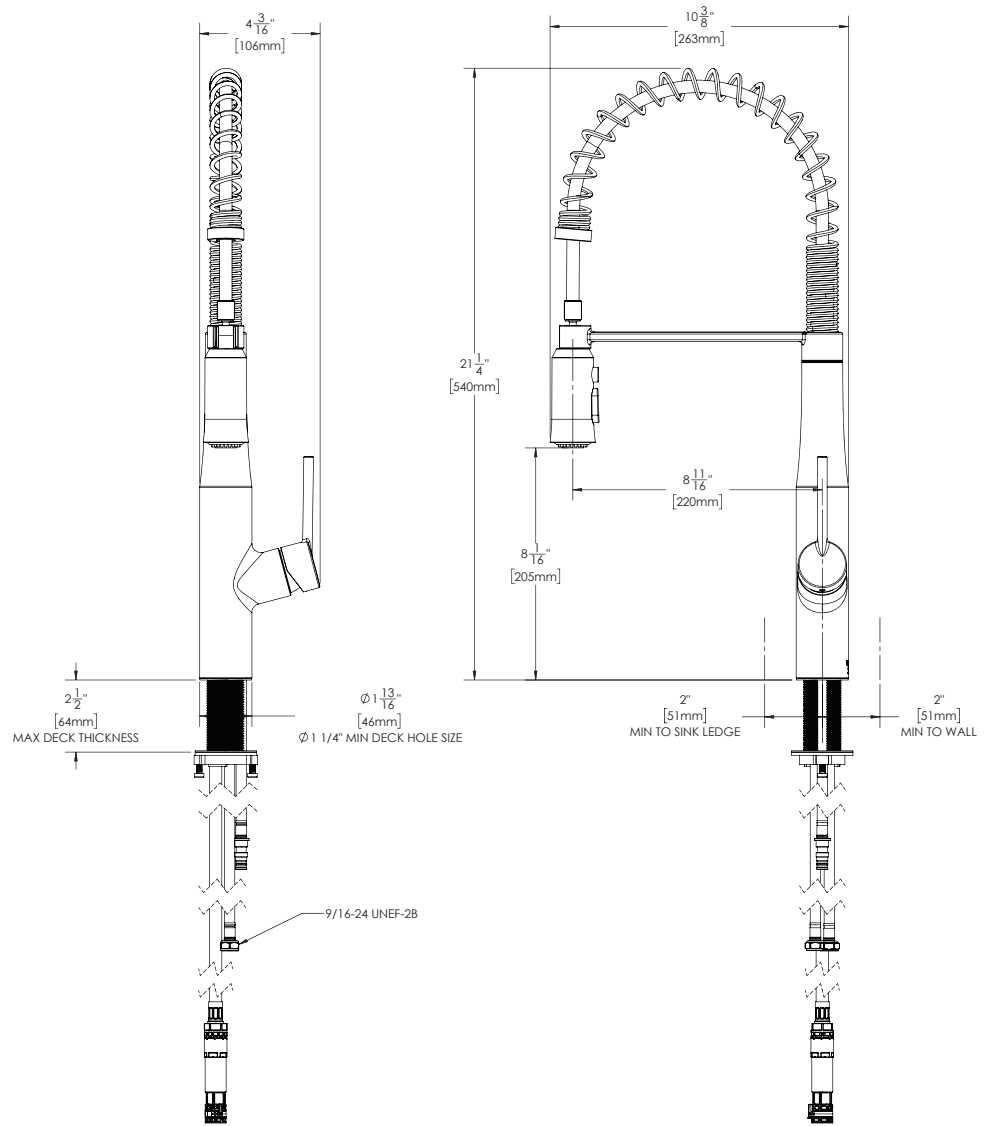
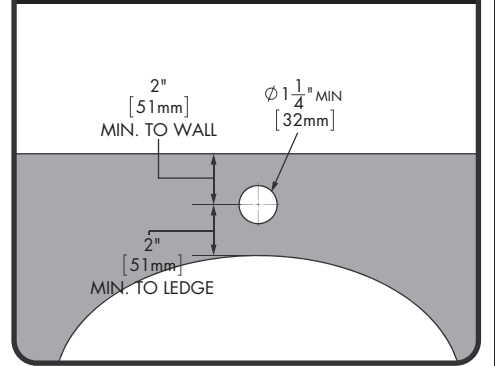
FLOW DATA:

- 1.8 gpm (6.8L/min)

CONNECTIONS:

Supply Connection:
 9/16"-24 UNF Connection
 (3/8" Compression)

LAVATORY ROUGH-IN



ALL DIMENSIONS ARE IN INCHES (MILLIMETERS) UNLESS OTHERWISE SPECIFIED. DIMENSIONS SUBJECT TO CHANGE WITHOUT NOTICE.