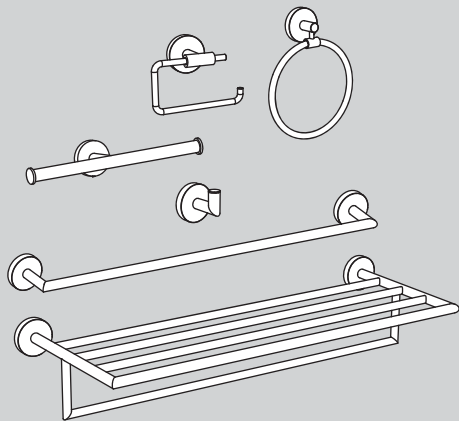
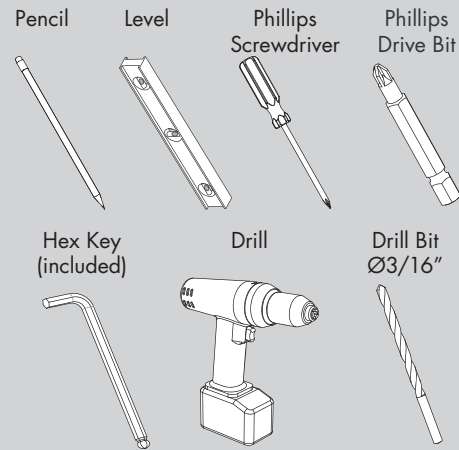


## INSTRUCTIONS FOR MODELS

- SA-2003 TOWEL RACK
- SA-2004 TOWEL RING
- SA-2005 PAPER HOLDER
- SA-2006 ROBE HOOK
- SA-2007 TOWEL BAR
- SA-2010 DOUBLE PAPER HOLDER



## TOOLS AND SUPPLIES



### IMPORTANT

- Do not over-tighten any connections or damage may occur.
- Be sure to read instructions thoroughly before beginning installation.

### SAFETY TIPS

Cover your drain to prevent loss of parts. Be sure to wear eye protection while cutting pipe.

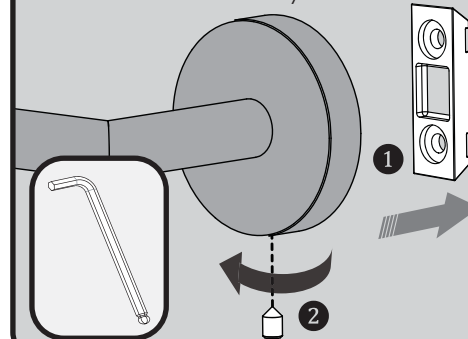
### MAINTENANCE

Your new Speakman Product is designed for years of trouble-free performance. Keep it looking new by cleaning it periodically with a soft cloth. The use of harsh chemicals and abrasives on any of the Speakman custom finish products may damage the finish and void the product warranty. Please be sure to only use approved cleaners. Please contact Speakman for any clarification of acceptable cleaners.

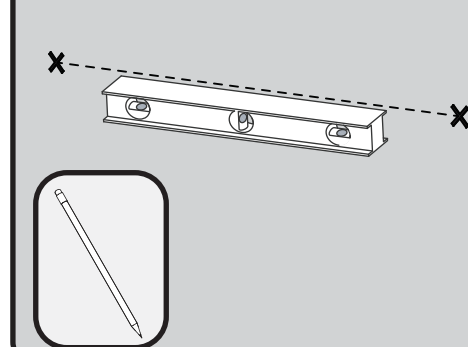
### WARRANTY

Additional warranty information can be found at: [www.speakman.com](http://www.speakman.com)

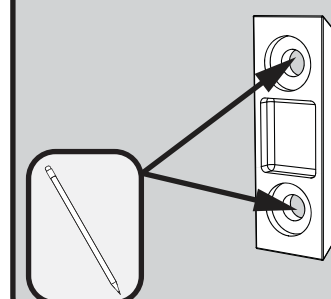
**1** If the Mounting Plate(s) (1) come pre-installed in the Accessory (2), remove the Mounting Plate(s) by loosening the pre-installed set screw at bottom with the included Hex Key.



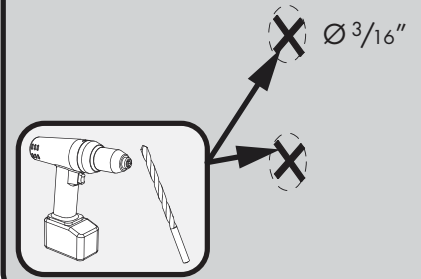
**2** At the selected height, mark center point of mounting locations onto wall referencing the rough in diagram.



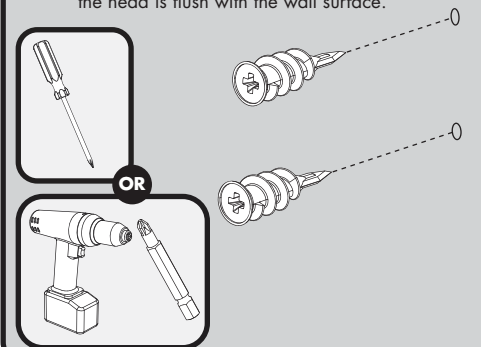
**3** Align Mounting Plate over center point marked in previous step. Mounting Plate should be vertical as shown below. Mark Mounting Screw locations onto the wall surface. Remove items after marking mounting locations.



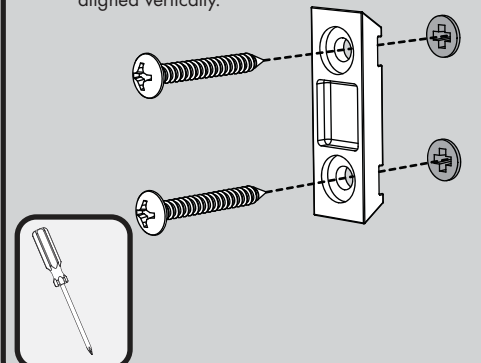
**4** If mounting directly to wood stud, Plastic Anchors are not required. If mounting to tile, acquire proper mounting hardware capable of supporting the accessory in use. If mounting to drywall, drill guide holes at marked locations using a Drill equipped with a  $\text{Ø}3/16''$  bit.



**5** Insert Plastic Anchors into drilled holes and screw in the anchor using a Phillips Head screwdriver, or a Drill equipped with a Phillips Driver Bit until the head is flush with the wall surface.

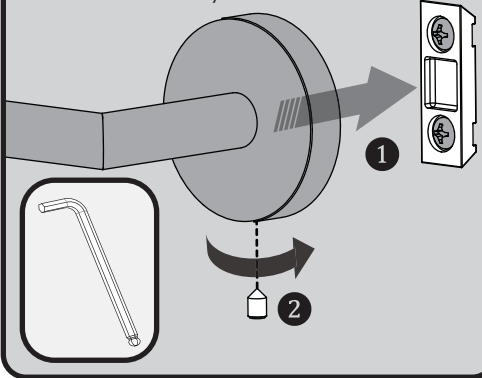


**6** Secure Mounting Plate with the Mounting Screws provided. Verify that the Mounting Plate is aligned vertically.

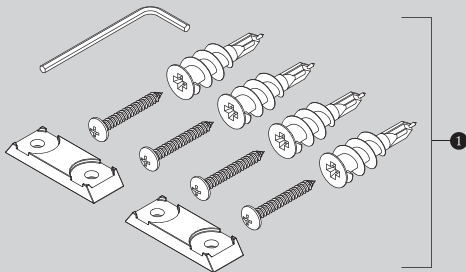


7

Place Accessory (1) over Mounting Bracket and secure the pre-installed set screw (2) with the included Hex Key.



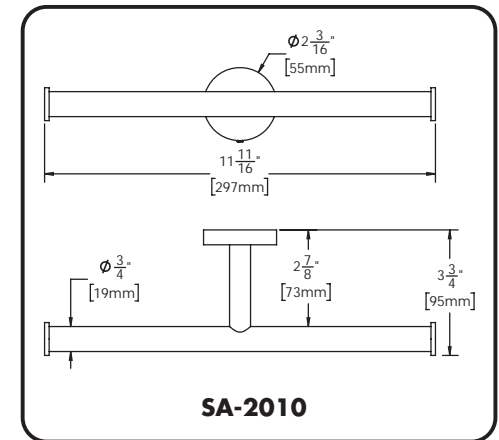
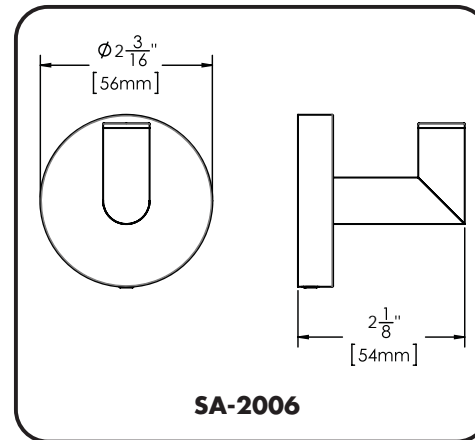
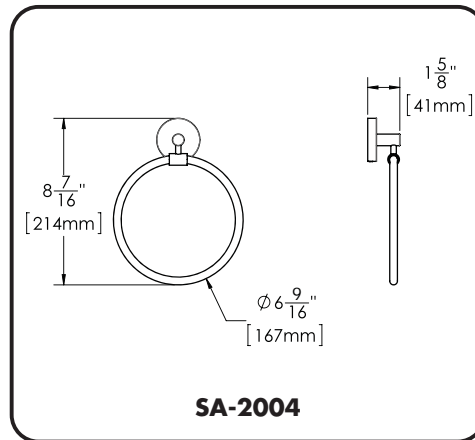
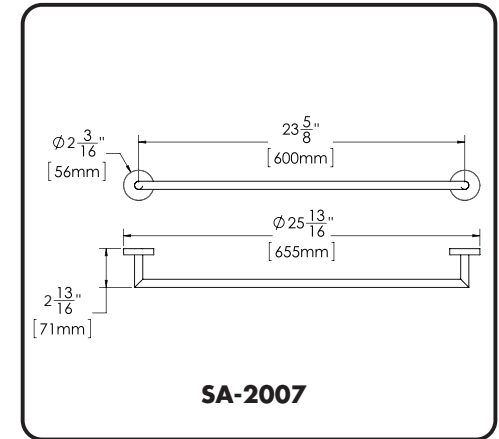
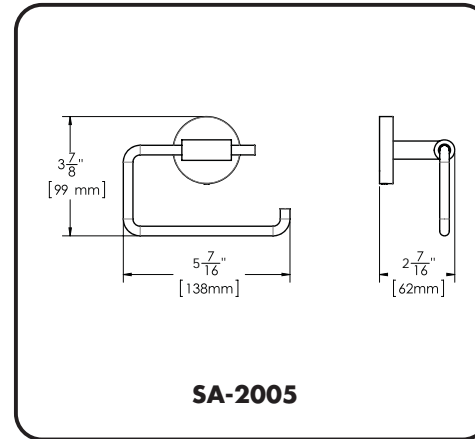
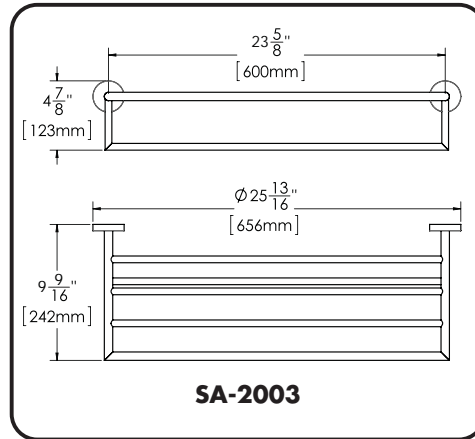
### SA-20XX REPAIR PARTS



ITEM NO.	PART NO.	DESCRIPTION
1	RPG05-104020	HARDWARE REPAIR GROUP

## SA-20XX ROUGH-IN DIAGRAMS

**SPEAKMAN®**



DIMENSIONS SUBJECT TO CHANGE WITHOUT NOTICE.