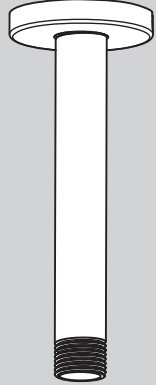
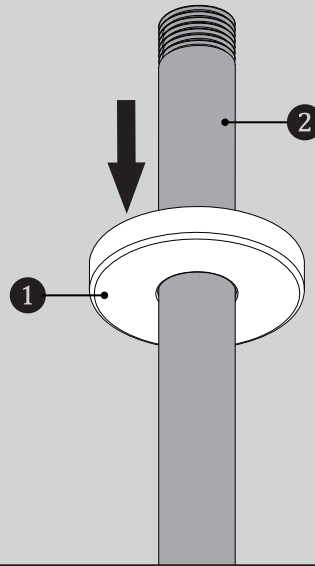


## INSTRUCTIONS FOR MODELS

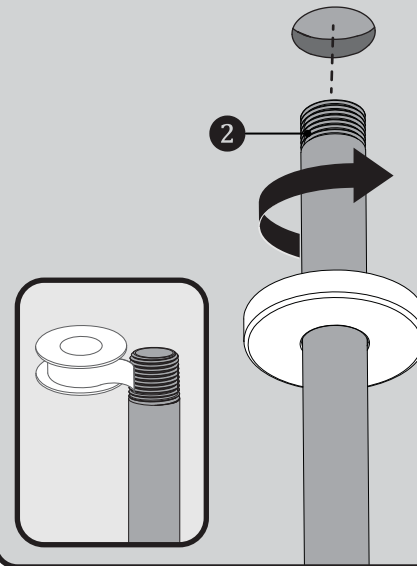
S-2580



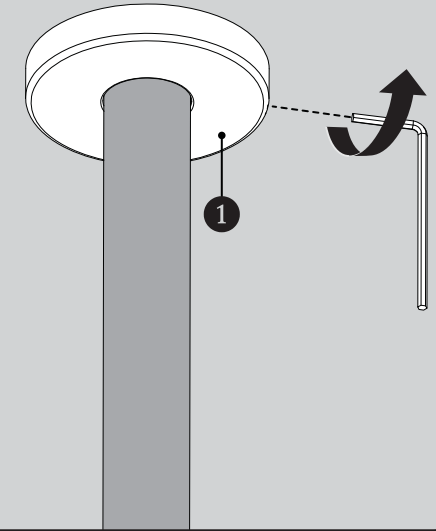
**1** Slide the Escutcheon Plate **1** over the Shower Arm **2** as shown below.



**2** Apply Thread Seal Tape to inlet side of Shower Arm **2**. Thread Shower Arm into Female Pipe Fitting within the ceiling. Firmly tighten.



**3** Position Escutcheon Plate **1** flat against the ceiling. Secure Set Screw with Included Hex Key Wrench.



### IMPORTANT

Be sure to read instructions thoroughly before beginning installation. Do not overtighten any connections or damage may occur.

### SAFETY TIPS

Cover your drain to prevent loss of parts.

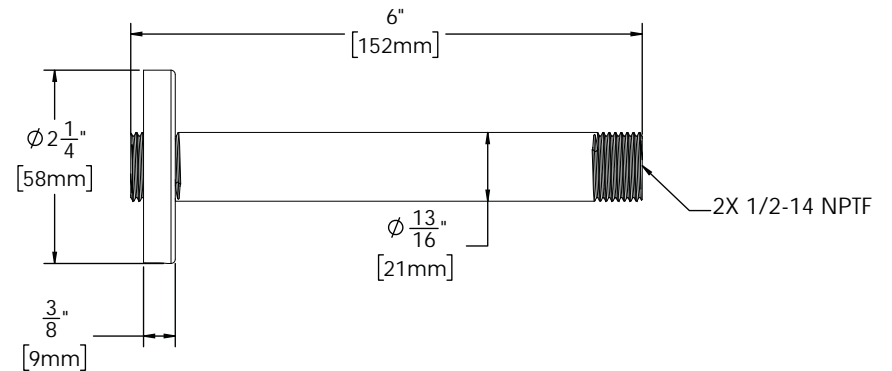
### MAINTENANCE

Your new Shower Arm is designed for years of trouble-free performance. Keep it looking new by cleaning it periodically with a soft cloth. Avoid abrasive cleaners, steel wool and harsh chemicals as these will dull the finish and void your warranty.

### WARRANTY

Additional warranty information can be found at: [www.speakman.com](http://www.speakman.com)

### S-2580 ROUGH IN DIAGRAM



### Specifications:

Supply Inlet: 1/2" NPT MALE  
Outlet: 1/2" NPT MALE

Note: Dimensions are subject to change without notice

The supply fittings behind the wall shall be properly secured and anchored to support the shower arm and any attachments added.

### TOOLS AND SUPPLIES

Thread Seal Tape



Hex Key Wrench  
(INCLUDED)

