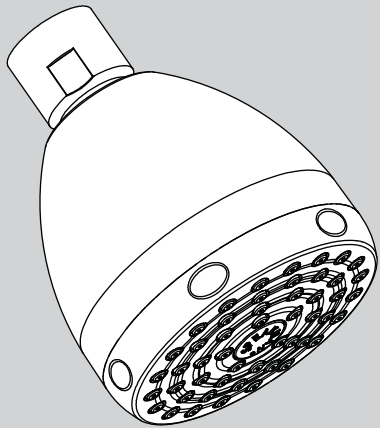


## INSTRUCTIONS FOR MODELS

S-2272-E2  
S-2272-E15



## TOOLS AND SUPPLIES

Thread Seal  
Tape



Adjustable  
Wrench



### IMPORTANT



Be sure to read instructions thoroughly before beginning installation. Do not overtighten any connections or damage may occur.

### SAFETY TIPS



Cover your drain to prevent loss of parts.

### MAINTENANCE



Periodic cleaning using a mild soap and warm water will help keep your Showerhead's appearance in its original condition.

For best results, dry immediately with a soft, clean cloth. **DO NOT USE** harsh and/or abrasive cleaners.

To help restore the finish, occasionally apply a non-abrasive wax to your showerhead body (follow manufacturers' instructions).

On **CHROME PLATED SHOWER HEADS**, a two (2) part white vinegar, one (1) part water solution can be used to break down excessive mineral deposits on the sprays. Let the showerhead soak in the solution for about ½ hour then rinse thoroughly. Brush off any remaining mineral deposits if necessary.

**DO NOT USE** the vinegar/water treatment on any finish other than Chrome.

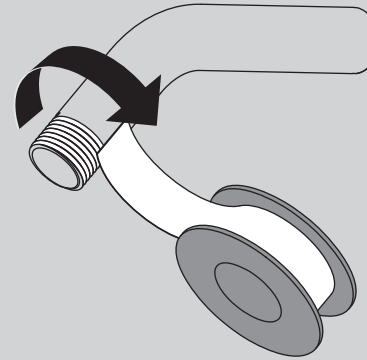
### WARRANTY



Additional warranty information can be found at:  
[www.speakman.com](http://www.speakman.com)

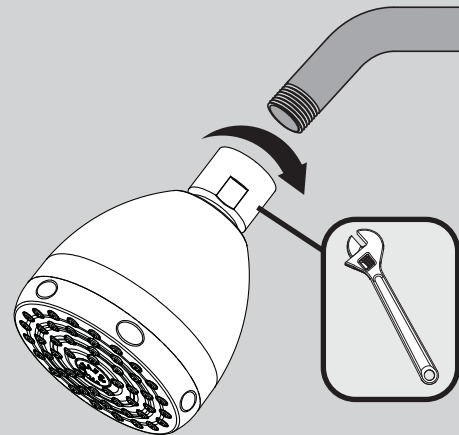
1

Apply Teflon Tape to the outlet side of shower arm in a clockwise direction.

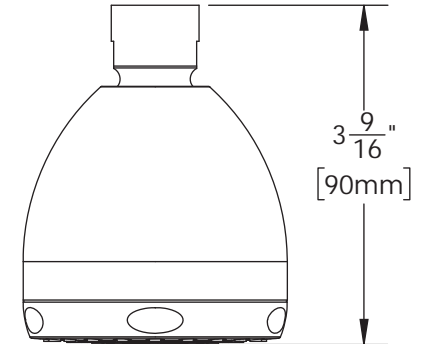
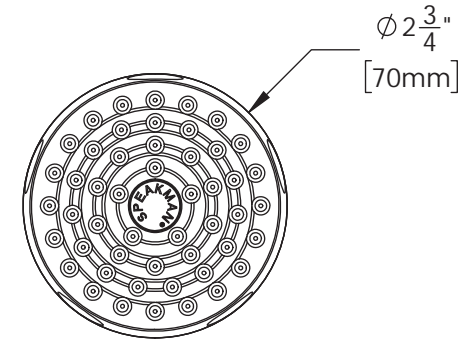


2

Thread Shower head onto shower arm by turning it in a clockwise direction. Tighten with adjustable wrench. Turn water supply on and check for leaks.



## ROUGH IN DIMENSIONS



Model: S-2272-E2

Max. Flow Rate: 2.0 gpm (7.6 L/min)

Min. Flow Rate: 1.5 gpm (5.7 L/min) @ 45psi

FOR USE WITH AUTOMATIC COMPENSATING VALVES RATED AT 6.6 L/MIN (1.75 GPM) OR LESS.

Model: S-2272-E15

Max. Flow Rate: 1.5 gpm (5.7 L/min)

Min. Flow Rate: 1.1 gpm (4.2 L/min) @ 45psi

FOR USE WITH AUTOMATIC COMPENSATING VALVES RATED AT 5.2 L/MIN (1.37 GPM) OR LESS.

### Specifications:

Inlet: 1/2" NPSM FEMALE