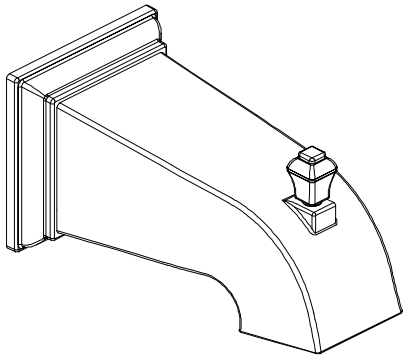


## Instructions for Models:

# S-1564

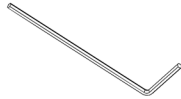


## What You Need To Know:

### Tools:

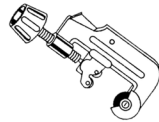
#### Required:

\*Allen Wrench (Included)

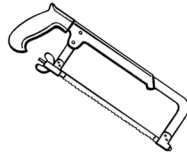


#### Helpful:

\* Tubing Cutter



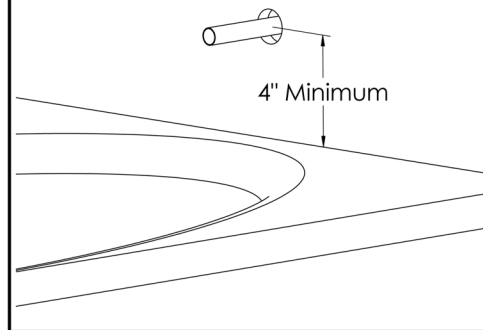
\*Hacksaw



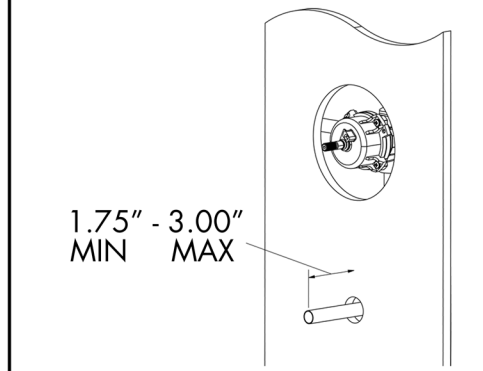
\*Protective Eye Wear



**1** The minimum distance between the center off the tub spout and the rim of the tub should be no less than 4".



**2** The stub out for the 1/2" pipe should extend a minimum of 1.75" from the wall, but not to exceed 3" from wall. Remove all burrs and sharp edges from the stub out 1/2" pipe.



**3** Slide spout (1) over exposed stub out pipe until flush to wall. Center the spout (1) on the wall and tighten set screw (2) from underneath with Allen wrench

