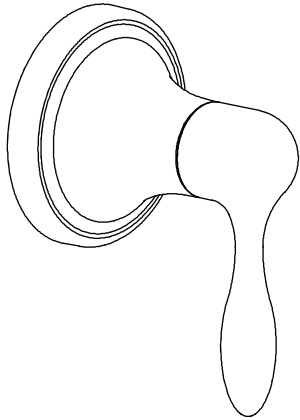


## Instructions for Models:

# S-1183

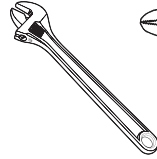


## What You Need To Know:

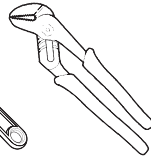
### Tools:

#### Required:

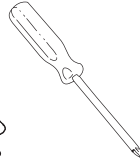
\* Adjustable Wrench



\* Groove Joint Plier



\* Phillips Screwdriver

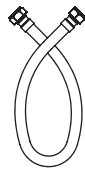


\* Thread Seal Tape

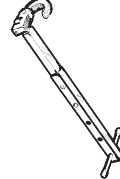


### Helpful:

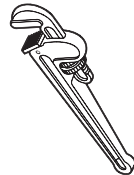
\* Supply Lines



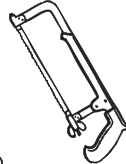
\* Basin Wrench



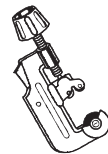
\* Pipe Wrench



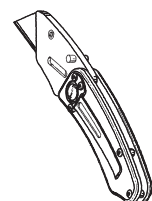
\* Hacksaw



\* Tubing Cutter



\* Utility Knife



\* Eye Protection



## What You Need To Know:

### Important Notes:

Be sure to read instructions thoroughly before beginning installation. Do not overtighten any connections or damage may occur. This valve has an operating range of 20-80 psi.

### Safety Tips:

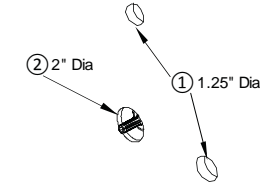
Cover your drain to prevent loss of parts. Be sure to wear eye protection while cutting pipe.

### Maintenance:

Your new Faucet is designed for years of trouble-free performance. Keep it looking new by cleaning it periodically with a soft cloth. Avoid abrasive cleaners, steel wool and harsh chemicals as these will dull the finish and void your warranty.

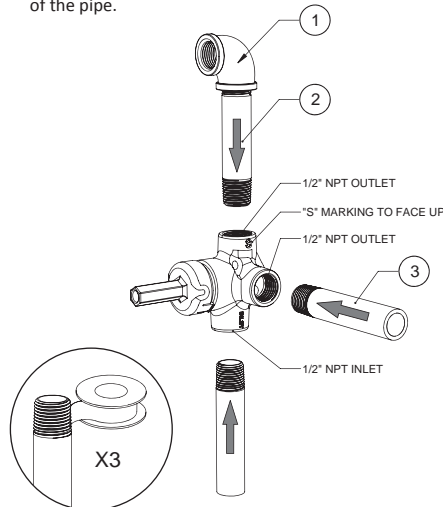
② Verify that the hole sizes and positions of holes in the wall are correct.

- ① Shower and / or handshower outlet hole: 1.25" diameter.
- ② Valve access hole: 2" diameter.
- ③ Recommended valve depth to finished wall: 2.5" min. to 3.5" max.

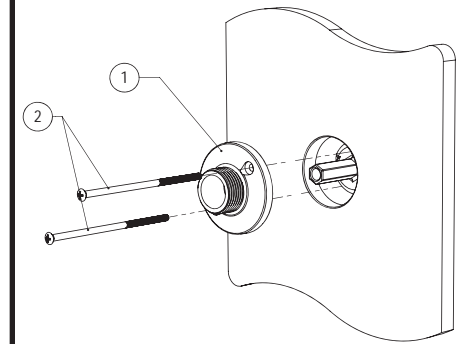


## ① SUPPLY CONNECTION LAYOUT

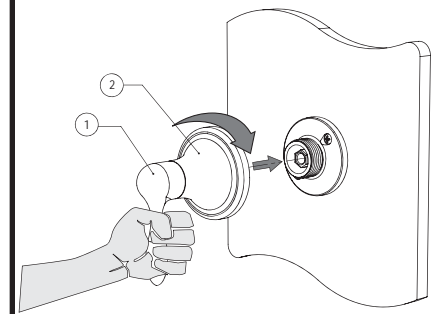
- Shut off water supply.
- Be sure to position the valve body correctly in wall. The marking "S" should be facing upward.
- Wrap thread seal tape around all pipe threads in a clockwise direction.
- Connect water supplies to valve body inlets.
- Connect shower outlet pipe ② and / or handshower ③ outlet pipe to valve body.
- Connect pipe elbow ① (not included) to the end of the pipe.

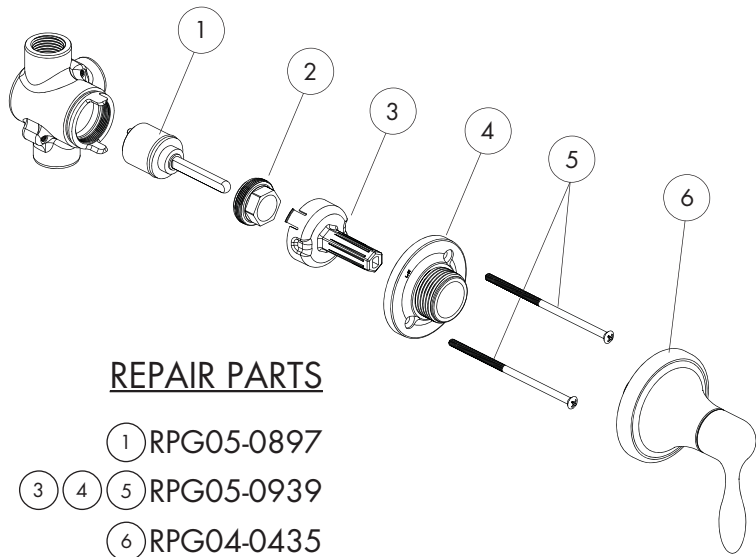


③ Clean wall surface. Place Mounting Base ①, on to valve, align mounting holes, and secure with Mounting Screws ②.



④ Align Handle Assembly ① with connector and Escutcheon. Keep Handle in a stationary vertical position as you thread Handle Hub ② on to Mounting Base. Tighten until snug.





REPAIR PARTS

- ① RPG05-0897
- ③ ④ ⑤ RPG05-0939
- ⑥ RPG04-0435

PRODUCT DIMENSIONS

