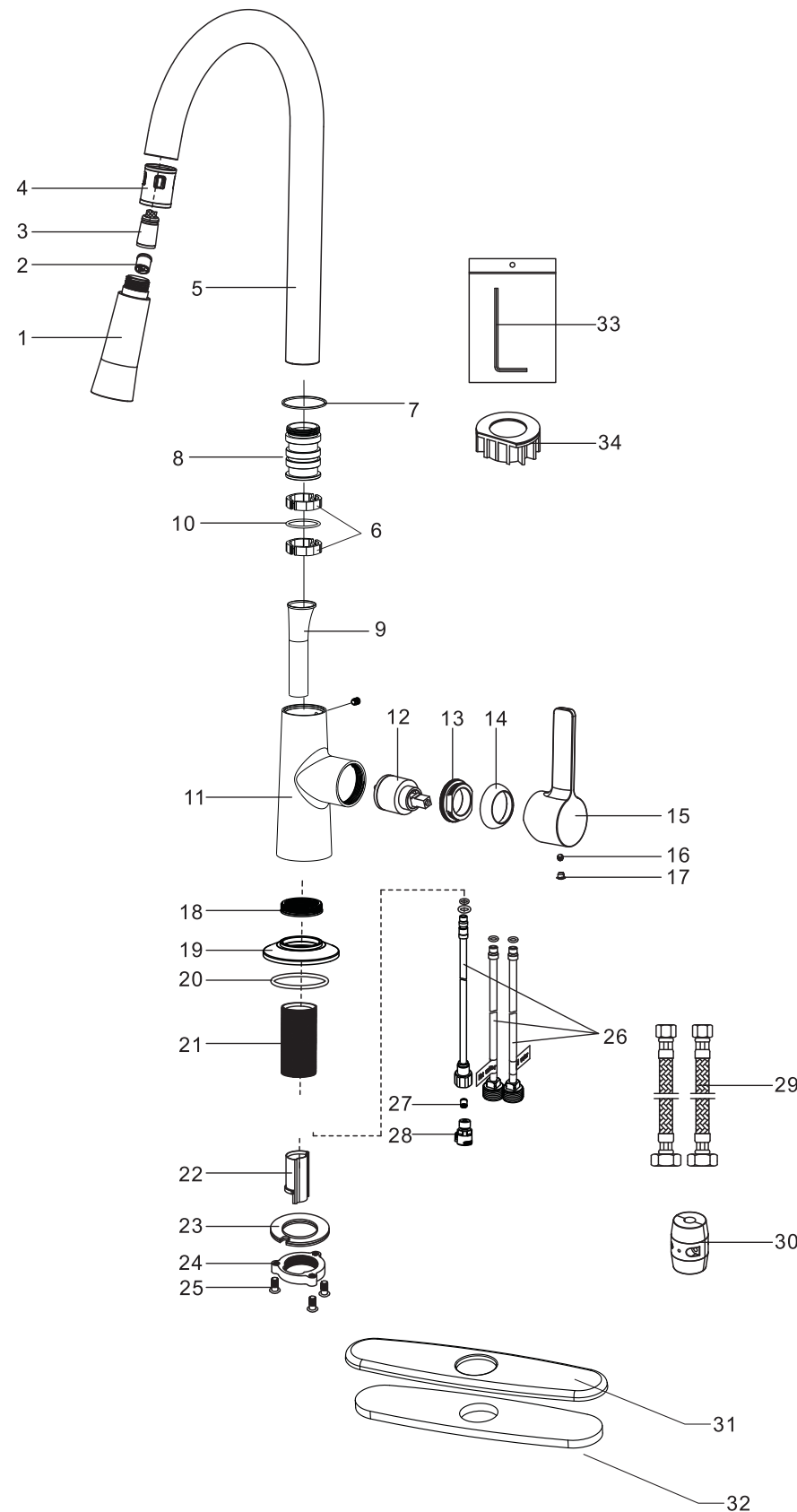
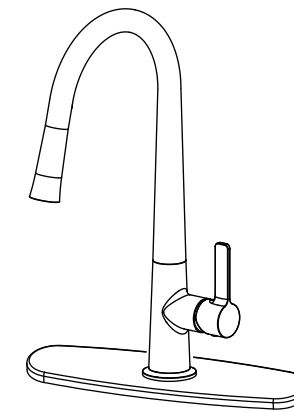


### Step 4 Parts list



NO.	PART NAME
1	Spray head
2	Check valve
3	Hose
4	Hose sleeve
5	Spout
6	Ring
7	O-ring
8	Connector
9	Protective sleeve
10	O-ring
11	Body
12	Cartridge
13	Cartridge lock nut
14	Trim cap
15	Handle
16	Screw
17	Index
18	Connector
19	Base
20	O-ring
21	Threaded shank
22	Protective sleeve
23	Gasket assembly
24	Lock nut
25	Screw
26	Copper tube
27	Check valve
28	Quick connect assembly
29	Flexible hose
30	Weight
31	Deck plate
32	Gasket
33	Allen key
34	Plastic base

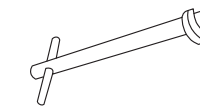


### SINGLE HANDLE KITCHEN FAUCET

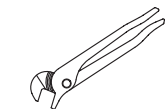


ASME A112.18.1/CSA B125.1

### RECOMMENDED TOOLS



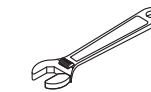
Basin wrench



Channel Locks



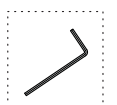
Goggles



Adjustable Wrench



Teflon tape



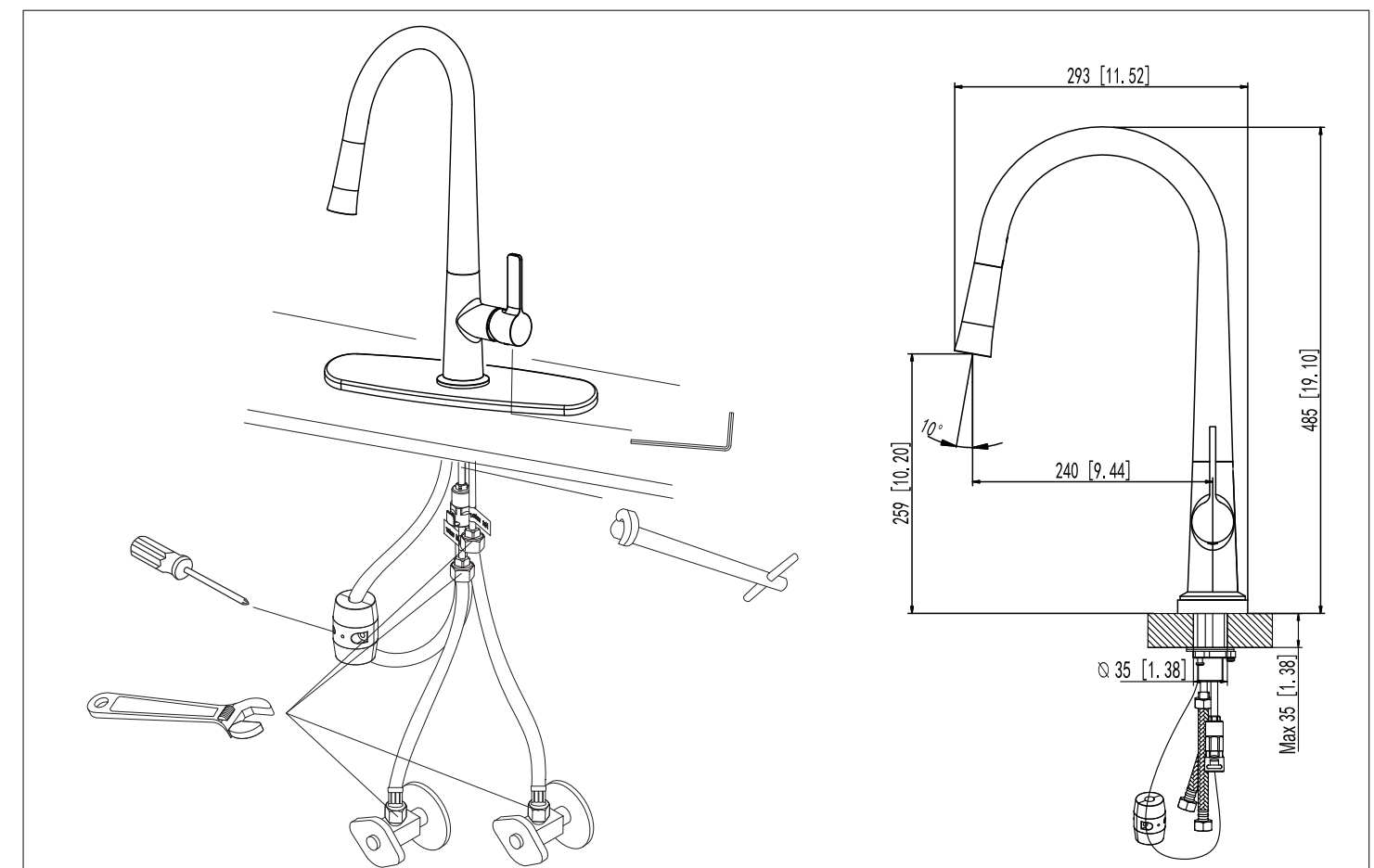
Allen key

**WARNING:**  
Please keep the tool for future use!

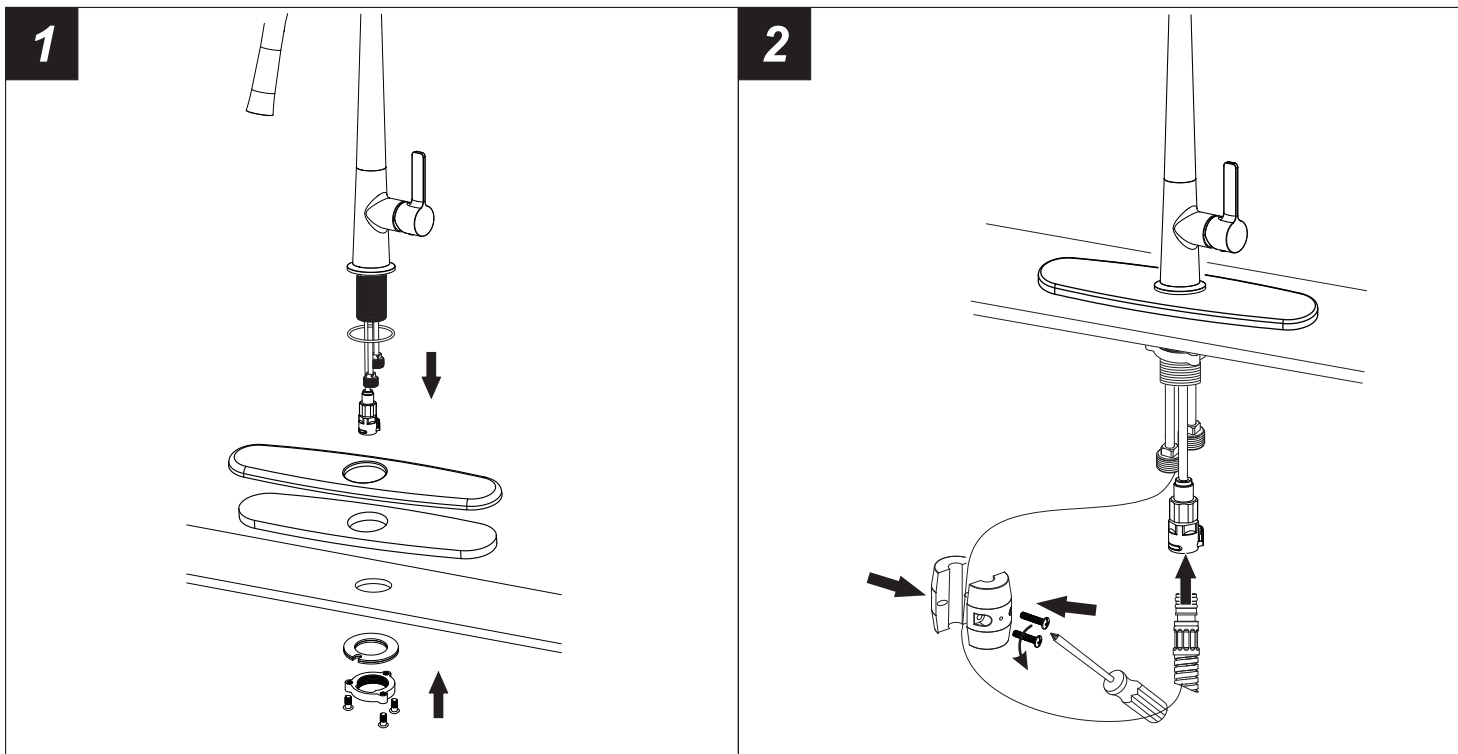


**Attention:**  
for easy installation, you will need:  
1. To read all the installation instruction completely before beginning.  
2. To read all the warning, attention and maintenance information.  
3. To purchase the proper supply lines.

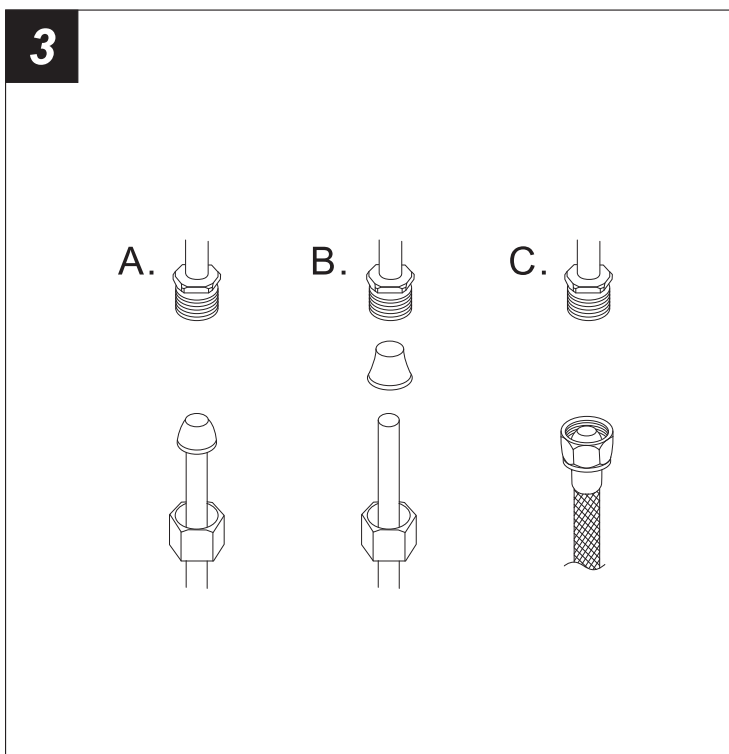
### The tools might be applied to the following places:



## Step 1 Faucet installation

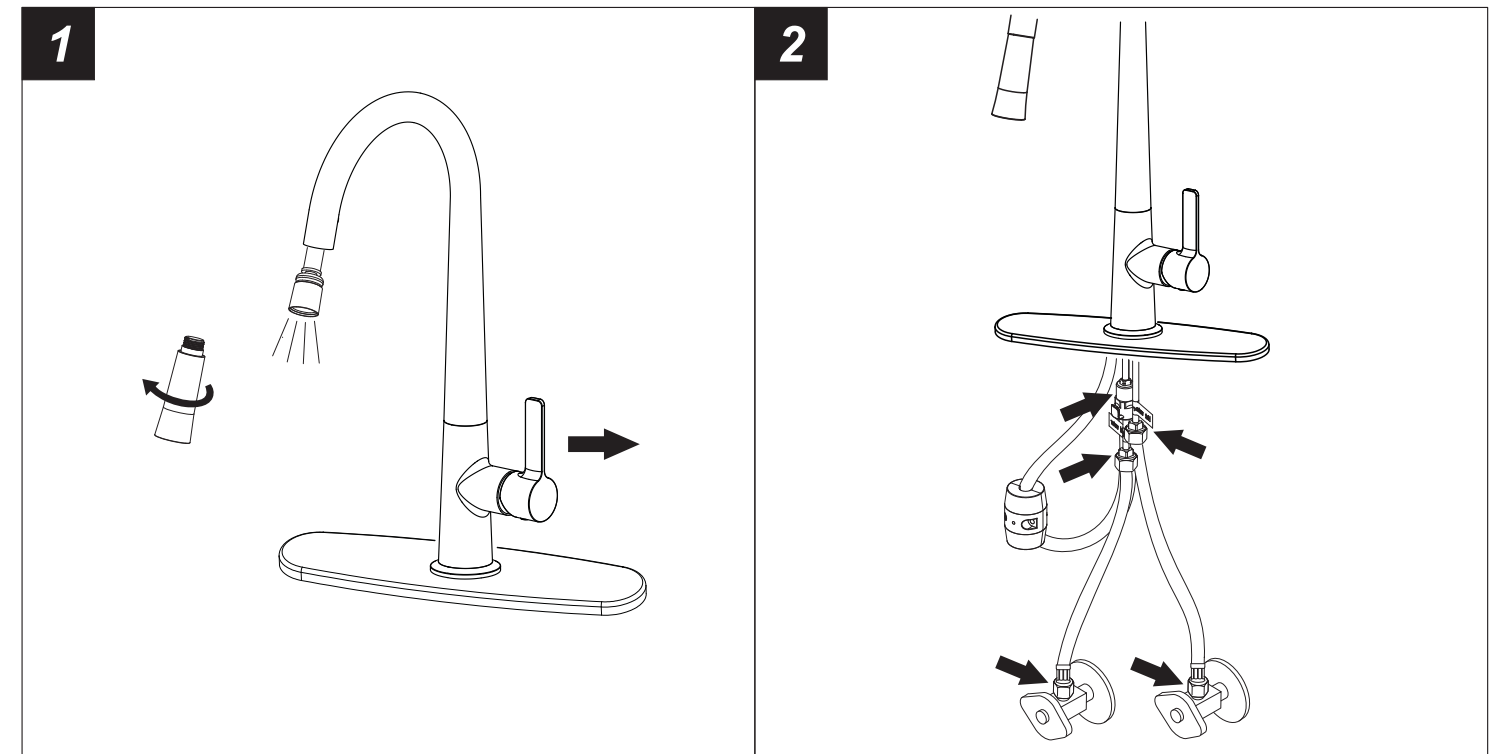


1. Position the faucet in order on the counter top as shown. **Don't forget the O-ring.** Assemble gasket assembly and lock nut to faucet threaded sleeve by hand and tighten the screws with screwdriver.
2. Connect the shower hose to quick connect. **CAUTION: MAKE SURE THE HOSE IS PROPERLY ENGAGED AND SECURED IN THE QUICK CONNECT.** Dis-assemble the weight and put it on the shower hose. Then fix screws by screw driver.



3. Connect to water supply lines with either:  
(A) 3/8" O.D. Copper tubing (ball nose risers with the coupling nuts) or;  
(B) 3/8" Copper tubing (no ball) with supplied tube head interior connector or;  
(C) IPS faucet connectors (1/2").

## Step 2 Checking and testing



1. Remove the shower by hand. Turn the faucet handle all the way on, turn on hot and cold water supply and flush water lines for one minute. Reinstall shower by hand.
2. Check all connections at arrows for leaks, re-tighten it if necessary.



**BUT DON'T OVERTIGHTEN**

## Step 3 Cleaning and care

Daily cleaning and care are required in order to keep the product shining and properly working.

- 1 Clean it with water and dry it with soft cloth.
- 2 Clean the product with gentle liquid or glass cleaner.
- 3 Don't use acid cleaner.
- 4 Don't clean with abrasive material, abrasive paper or knife.