

Models:

ASD-36, ASD-42, LSD-36, LSD-42, VOFBSD-36 and VOFBSD-42

Mesh Door Kits



Door Model Number	For Use on Models				
ASD-36	ACUF36-BD	ACUF36-GD	BUF36A	BUF36-T	BUF36-H
ASD-42	ACUF42-BD	ACUF42-GD	BUF42A	BUF42-T	BUF42-H
VOFBSD-36	VOBF36-T	VOBF36-H			
VOFBSD-42	VOBF42-T	VOBF42-H			
LSD-36	LCUF36CR-C	LCUF36CR-BT	LCUF36CR-GT	LCUF36CR-GH	
LSD-42	LCUF42CR-C	LCUF42CR-BT	LCUF42CR-GT	LCUF42CR-GH	

These mesh door kits have been tested for use with specific Hearth & Home Technologies products. Check with your local building code agency before you begin installation to ensure compliance with local codes, including the need for permits and follow-up inspections. If you encounter any problems regarding code approvals, or if you need clarification of any of the instructions contained here, contact your Hearth & Home Technologies Inc. dealer. For the dealer nearest you, please visit www.hearthnhome.com.

CAUTION! Risk of Cuts/Abrasions. Wear protective gloves and safety glasses during installation. Sheet metal edges are sharp.

NOTICE: All fingerprints and smudges must be wiped clean from the viewable surfaces of the door kit prior to the initial burning of the fireplace. If this is not done, these prints and smudges will be cured into the finish and set for the life of the fireplace. To keep the finish looking its best, gently wipe with a soft cloth and if desired, soap and water. Never use thinner or abrasive cleaners since these products will damage the finish.

⚠ WARNING



HOT SURFACES!

Screen/mesh, glass doors and other surfaces are hot during operation AND cool down.

Hot screen/mesh and glass doors will cause burns.

- Do not touch screen/mesh or glass doors until cooled
- NEVER allow children to touch screen/mesh or glass doors
- Keep children away
- CAREFULLY SUPERVISE children in same room as fireplace.
- Alert children and adults to hazards of high temperatures.

High temperatures may ignite clothing or other flammable materials.

- Keep clothing, furniture, draperies and other flammable materials away.

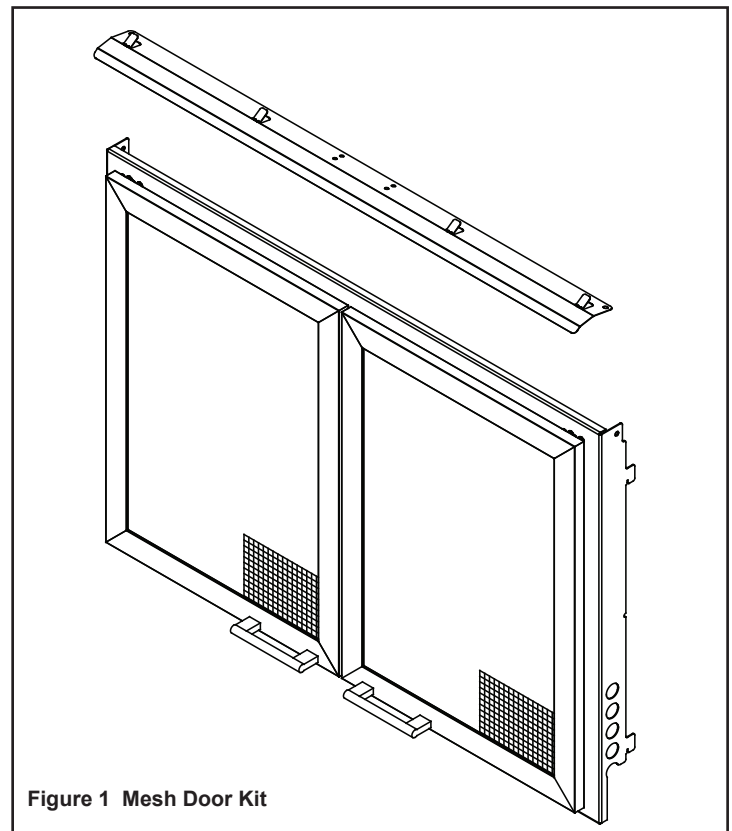
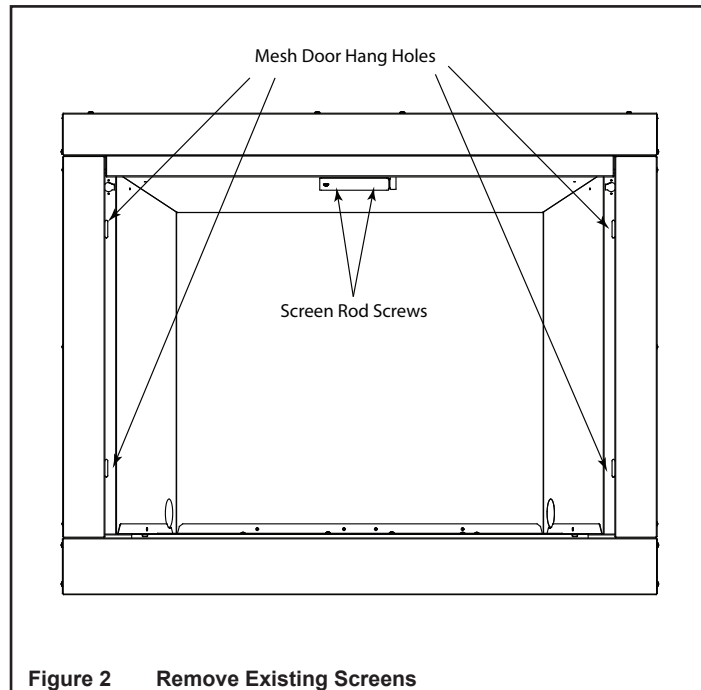


Figure 1 Mesh Door Kit

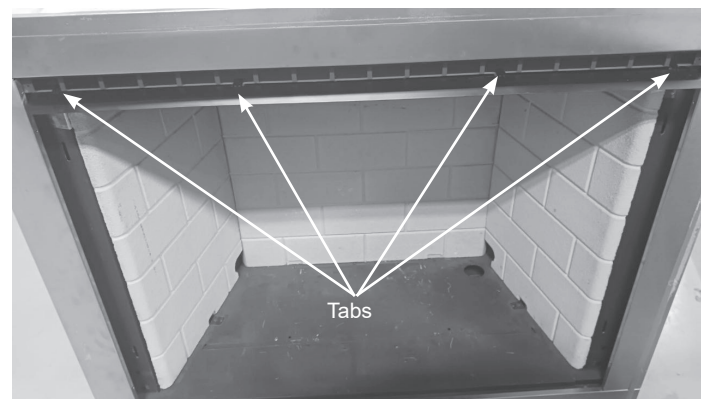
CAUTION! The door kit is heavy. We recommend two installers to put the front assembly in place.

Installation:

1. Remove the existing screens from the fireplace.
See Figure 2:
 - Remove one screw in each of the screen rods behind the upper screen cover
 - Slide screen rods out of support holes.
 - Rods and screen will come out as an assembly.
 - Discard.



2. Install inner hood by using the (4) bend tabs to locate. Pry up hand band tabs slightly to locate. See Figure 3.
3. Use the (2) screws from the screen rods to secure in place. See Figure 5. Leave original hood in place.



3. Hang door frame assembly into the (4) slots located on the firebox (see Figure 2) with the corresponding hooks on the door frame. See Figure 4. Be sure door is all the way down on the hooks. Door frame will have approximately 1/2 inch gap on the bottom of frame. See Figure 6.

