

**Kimberly**  
8970

Project Name \_\_\_\_\_

Fixture Type \_\_\_\_\_

Quantity \_\_\_\_\_

Norwell | Lighting

I L E X

**Custom Metalcraft**

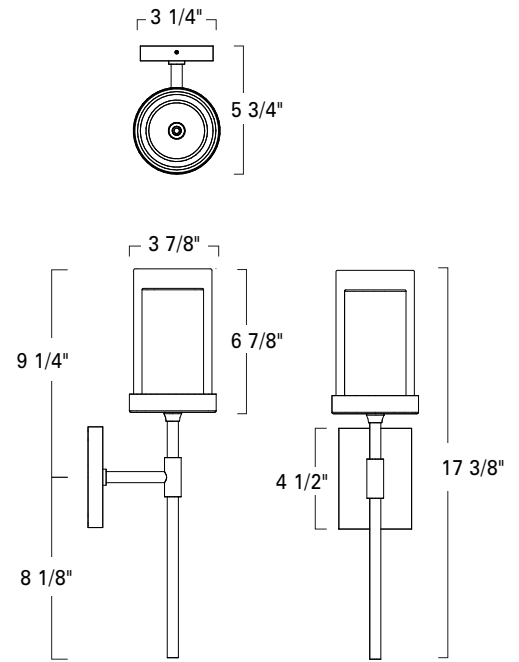


Kimberly  
8970-BN-CL



Kimberly  
8970-PN-CL

8970



Product Name / Model / Dimensions			Finish Options	Glass Options	Lamping Options
Kimberly - 8970			<b>Standard</b> Brushed Nickel / BN Chrome / CH Polished Nickel / PN	<b>Standard</b> Clear Outer White Inner Glass (CL)  5.75" H X 4" W	<b>Standard</b> Incandescent / IN (1) 60 Watt Candelabra
Height	Width	Projection			
17.375"	4.50"	5.75"			
Backplate* 4.50" H x 3.25" W *Trimplate available Note: Small backplate requires a switch box					

Damp Location and UL/ETL Listed

3-2021

**DISCLAIMER:**

Norwell Lighting and its companies, ILEX Architectural Lighting and Custom Metalcraft reserve the right to change specifications related to its product at anytime. USA Made indicates product is manufactured in East Taunton, Massachusetts facility.